



US00D872903S

(12) **United States Design Patent**  
**Amrine et al.**

(10) **Patent No.:** **US D872,903 S**  
(45) **Date of Patent:** **\*\* Jan. 14, 2020**

(54) **LANDSCAPE EDGING**  
(71) Applicant: **Dimex, LLC**, Marietta, OH (US)  
(72) Inventors: **Patrick Amrine**, Williamstown, WV (US); **Andy Antil**, Pickerington, OH (US); **Lyle A. James**, Kettering, OH (US); **Emily C. Martin**, Williamstown, WV (US); **Matthew T. Miller**, Marietta, OH (US); **Kevin R. Morey**, Marietta, OH (US)

2,877,600 A 3/1959 Slate  
D185,236 S 5/1959 Reese  
3,170,201 A 2/1965 Nofziger  
3,222,841 A 12/1965 Lipof  
(Continued)

**FOREIGN PATENT DOCUMENTS**

GB 480927 A 3/1938  
GB 2369979 A 6/2002  
(Continued)

(73) Assignee: **Dimex, LLC**, Marietta, OH (US)  
(\*\*) Term: **15 Years**  
(21) Appl. No.: **29/642,154**  
(22) Filed: **Mar. 28, 2018**

**OTHER PUBLICATIONS**

Dimex EdgePro Website. <http://www.edgepro.com/hardscape/edgepro-h.sub.-edge.html> Found Jul. 15, 2016.  
(Continued)

**Related U.S. Application Data**

(62) Division of application No. 29/635,740, filed on Feb. 2, 2018.  
(51) **LOC (12) Cl.** ..... **25-01**  
(52) **U.S. Cl.**  
USPC ..... **D25/164**  
(58) **Field of Classification Search**  
USPC ..... D25/136, 137, 164, 199  
CPC ..... A01G 9/00; A01G 9/28; Y10S 30/05  
See application file for complete search history.

*Primary Examiner* — L. Martinez  
(74) *Attorney, Agent, or Firm* — Wood Herron & Evans LLP

(57) **CLAIM**

The ornamental design for a landscape edging, as shown and described.

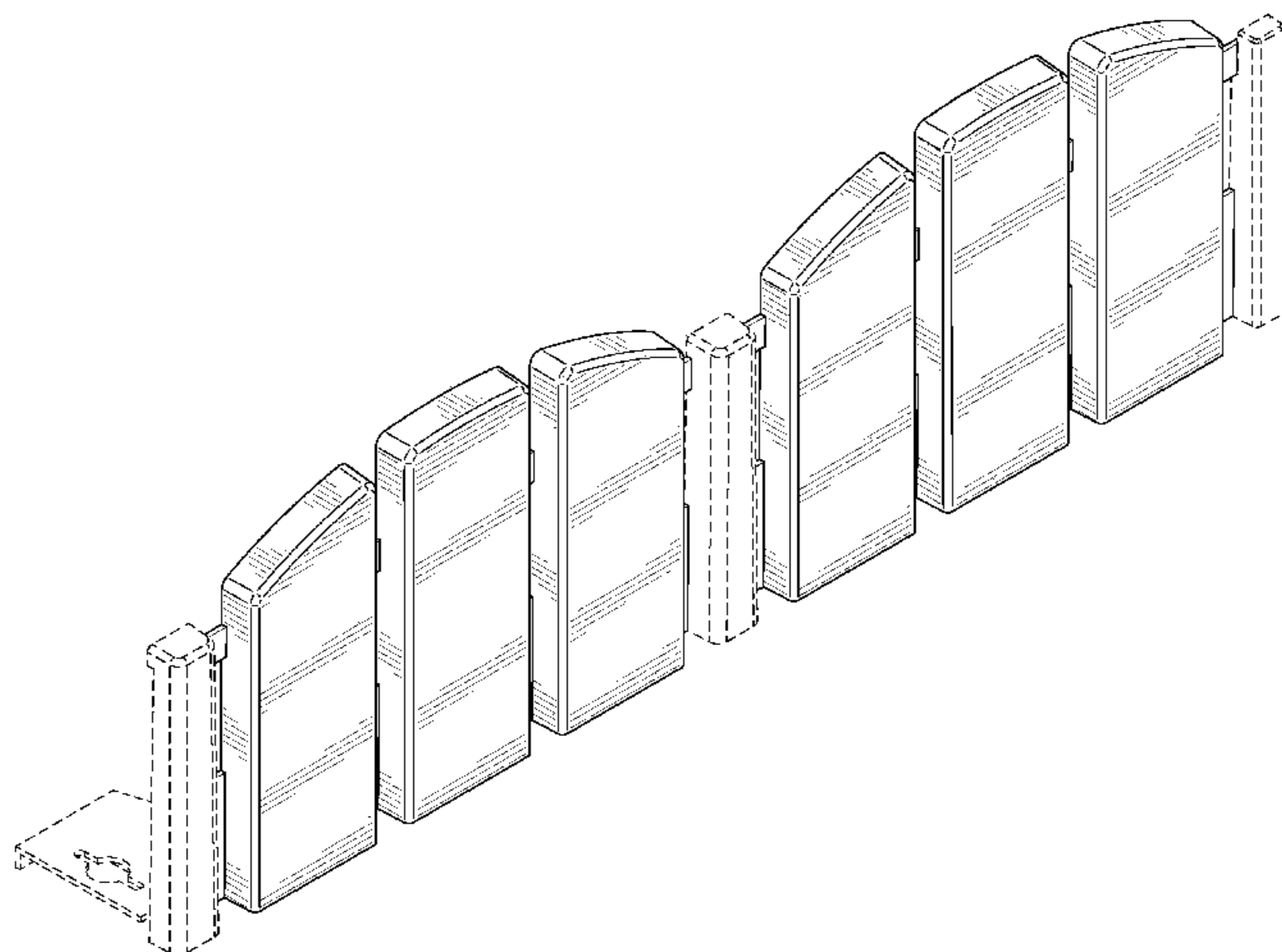
**DESCRIPTION**

FIG. 1 is a front isometric view of a landscape edging, showing our new design;  
FIG. 2 is a rear isometric view thereof;  
FIG. 3 is a front elevation view thereof;  
FIG. 4 is a rear elevation view thereof;  
FIG. 5 is a left-side elevation view thereof;  
FIG. 6 is a right-side elevation view thereof;  
FIG. 7 is a top plan view thereof;  
FIG. 8 is a bottom plan view thereof; and,  
FIG. 9 is a top plan view with the invention shown in an arcuate configuration.  
The broken lines in the drawings illustrate portions of the landscape edging that form no part of the claimed design.

(56) **References Cited**  
**U.S. PATENT DOCUMENTS**

268,441 A 12/1882 Tunica  
457,886 A 8/1891 Landis  
992,529 A 5/1911 Abraham  
1,666,613 A 4/1928 Woods  
1,843,108 A 2/1932 Clayden  
1,997,876 A 4/1935 Sheldon  
2,163,613 A 6/1939 Manofsky  
2,164,681 A 7/1939 Fould  
2,193,425 A 3/1940 Lake  
D130,420 S 11/1941 Schlatter  
D151,022 S 9/1948 Weber et al.  
D178,659 S 9/1956 Hield  
2,809,809 A 10/1957 Johnston

**1 Claim, 6 Drawing Sheets**



(56)

References Cited

U.S. PATENT DOCUMENTS

3,314,193 A 4/1967 Chancellor  
 3,332,197 A 7/1967 Hinkle  
 3,378,949 A 4/1968 Dorris  
 3,484,989 A 12/1969 Lazinsky  
 3,520,082 A 7/1970 Smith  
 3,604,164 A 9/1971 Mason  
 3,619,944 A 11/1971 Matvey  
 3,728,837 A 4/1973 Kiefer, Jr.  
 3,788,001 A 1/1974 Balfanz, Jr.  
 3,815,311 A 6/1974 Nisula et al.  
 3,957,383 A 5/1976 Fredericks  
 4,182,072 A 1/1980 Much  
 4,202,145 A 5/1980 Coulter et al.  
 D257,064 S 9/1980 Kobee  
 4,349,596 A 9/1982 Hendrix  
 4,628,632 A 12/1986 Zwier  
 4,744,194 A 5/1988 Yasuyoshi  
 4,761,923 A 8/1988 Reum et al.  
 4,809,459 A 3/1989 Brylla et al.  
 4,824,068 A 4/1989 Ferland  
 4,858,379 A 8/1989 West  
 4,863,307 A 9/1989 Jones  
 4,905,442 A 3/1990 Daniels  
 4,907,783 A 3/1990 Fisk et al.  
 4,987,717 A 1/1991 Dameron, Jr.  
 5,020,272 A 6/1991 Herrema et al.  
 5,048,241 A 9/1991 Gavin, Jr.  
 5,117,583 A 6/1992 Reum  
 D329,707 S 9/1992 Embree et al.  
 D329,709 S 9/1992 Strobl, Jr.  
 5,152,507 A 10/1992 Lee  
 5,157,867 A 10/1992 Fritch  
 5,212,917 A 5/1993 Kurtz et al.  
 5,236,179 A \* 8/1993 Schropp ..... A01G 9/28  
 256/19  
 5,240,343 A 8/1993 Strobl, Jr.  
 D339,199 S 9/1993 Rynberk  
 5,301,461 A 4/1994 Zwier  
 5,375,941 A 12/1994 Strobl, Jr.  
 5,379,546 A 1/1995 Popp  
 5,414,956 A \* 5/1995 Kheradpir ..... A01G 9/28  
 47/33  
 5,421,118 A 6/1995 Bauer  
 5,426,888 A \* 6/1995 Gnaedig ..... A01G 9/28  
 47/33  
 D361,853 S \* 8/1995 Northrop ..... D25/164  
 5,442,877 A 8/1995 Lindhal  
 5,445,362 A \* 8/1995 Reppert ..... A01G 9/28  
 256/24  
 D363,788 S 10/1995 Caley  
 D363,801 S \* 10/1995 Nauseda ..... D25/164  
 D366,191 S 1/1996 Gay  
 5,501,036 A 3/1996 Torp, Jr. et al.  
 D368,969 S 4/1996 Davies  
 D372,547 S 8/1996 Sjodin  
 D373,205 S 8/1996 Caley  
 5,544,445 A 8/1996 Mantilla  
 D378,857 S 4/1997 Hale  
 5,640,801 A 6/1997 Rynberk  
 D385,050 S \* 10/1997 Gay ..... D25/164  
 D391,379 S \* 2/1998 Koch ..... D25/164  
 D393,164 S 4/1998 Russell et al.  
 5,771,643 A 6/1998 Parker  
 5,772,357 A 6/1998 Evans  
 5,826,372 A \* 10/1998 Parsons ..... A01G 9/28  
 47/33  
 D400,985 S 11/1998 Risi  
 D408,558 S 4/1999 Levy  
 D411,317 S \* 6/1999 Gay ..... D25/164  
 D413,397 S 8/1999 Benjamin  
 5,930,947 A 8/1999 Eckhoff  
 5,941,018 A 8/1999 Herrema  
 5,961,101 A \* 10/1999 Anticole ..... A01G 9/28  
 256/24

D416,096 S \* 11/1999 Tisbo ..... D25/164  
 6,012,254 A 1/2000 Gaston  
 6,030,144 A 2/2000 Cannella  
 6,038,811 A 3/2000 Conway  
 D424,714 S 5/2000 Hale  
 D426,322 S \* 6/2000 Anderson ..... D25/164  
 6,085,458 A \* 7/2000 Gau ..... A01G 9/28  
 47/33  
 6,099,201 A 8/2000 Abbrancati  
 6,102,374 A \* 8/2000 Macri ..... A01G 9/28  
 256/24  
 6,108,969 A 8/2000 Danna et al.  
 D430,683 S \* 9/2000 van Rhielen ..... D25/164  
 6,138,406 A \* 10/2000 Clark, Jr. ..... A01G 9/28  
 47/33  
 D433,291 S 11/2000 Shamoan  
 6,226,934 B1 5/2001 Gaston  
 6,324,782 B1 12/2001 Gaston  
 6,324,783 B1 12/2001 McIntyre et al.  
 D453,578 S 2/2002 Olson  
 6,345,465 B1 2/2002 Allen et al.  
 6,379,078 B1 4/2002 Zwier  
 D457,973 S 5/2002 Conde  
 D462,788 S 9/2002 Thornton et al.  
 D463,581 S 9/2002 Mann  
 D463,582 S 9/2002 Conde  
 6,449,897 B1 9/2002 Gaston  
 6,485,226 B1 11/2002 Harger  
 D467,015 S 12/2002 O'Brien  
 6,568,126 B2 5/2003 Womack  
 6,591,547 B1 \* 7/2003 Staten ..... A01G 9/28  
 47/33  
 6,619,565 B1 9/2003 Abbott  
 6,629,383 B2 10/2003 Allen et al.  
 6,643,977 B1 11/2003 Drysdale  
 D489,465 S 5/2004 Allsopp  
 6,754,989 B2 6/2004 Eicher  
 6,779,297 B2 8/2004 Conde  
 7,051,477 B2 5/2006 Bumham  
 D541,952 S 5/2007 Keeley et al.  
 D543,286 S 5/2007 Keeley et al.  
 D548,368 S 8/2007 Hale et al.  
 D586,005 S 2/2009 Schumaker et al.  
 D606,670 S 12/2009 Keeley  
 D612,072 S 3/2010 Keeley  
 D613,430 S \* 4/2010 Perotti ..... D25/164  
 D624,213 S \* 9/2010 Perotti ..... D25/164  
 D733,936 S 7/2015 Amrine et al.  
 D748,822 S 2/2016 Amrine et al.  
 D748,823 S 2/2016 Amrine et al.  
 D773,074 S 11/2016 Amrine et al.  
 D776,834 S 1/2017 Amrine et al.  
 D797,320 S \* 9/2017 Amrine ..... D25/164  
 D800,352 S \* 10/2017 Amrine ..... D25/164  
 2002/0139045 A1 10/2002 Womack  
 2003/0126807 A1 7/2003 Daniels et al.  
 2003/0188478 A1 10/2003 Womack  
 2005/0028438 A1 2/2005 Campana  
 2010/0186293 A1 \* 7/2010 Flynn ..... A01G 9/28  
 47/33  
 2013/0031848 A1 \* 2/2013 Perotti ..... A01G 9/28  
 52/102  
 2016/0174466 A1 6/2016 Stoltzfus et al.

FOREIGN PATENT DOCUMENTS

JP 7255277 10/1995  
 JP 2002253060 A 9/2002  
 JP 3490497 B2 1/2004

OTHER PUBLICATIONS

Valley View Industries Website. Diamond-LoK paver edgings.  
<http://www.valleyviewind.com/consumers/paver-edgings/diamond-paver-edge/> Copyright 2016. Found Jul. 15, 2016.  
 Valley View Specialties Co., Diamond-Lok Paver/Briick Edging,  
 Pre Apr.1996.

(56)

**References Cited**

OTHER PUBLICATIONS

Permaloc, Structure Edge Interlocking Snap-down Splicing System,  
Pre Apr. 1996.

\* cited by examiner



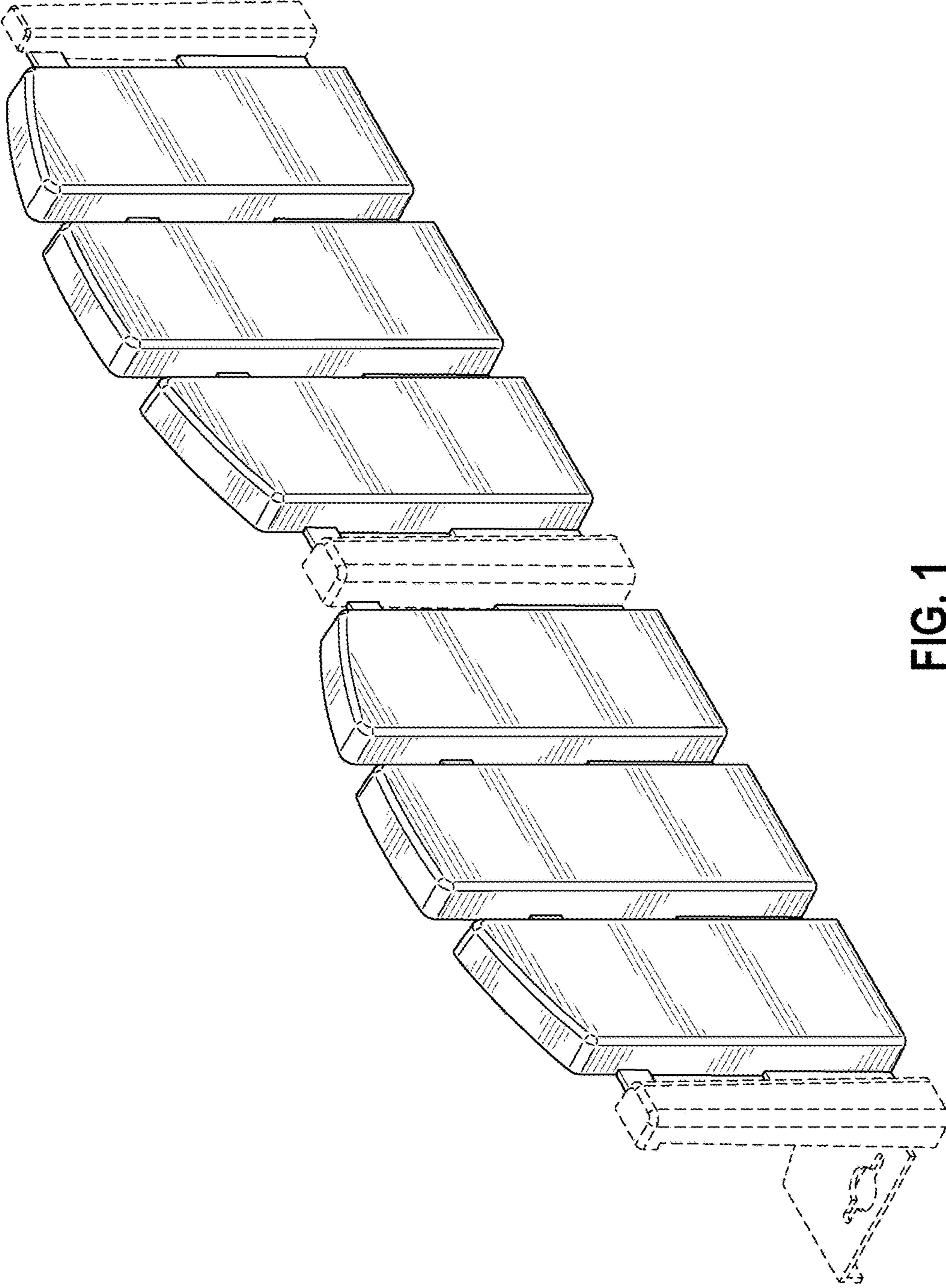


FIG. 1

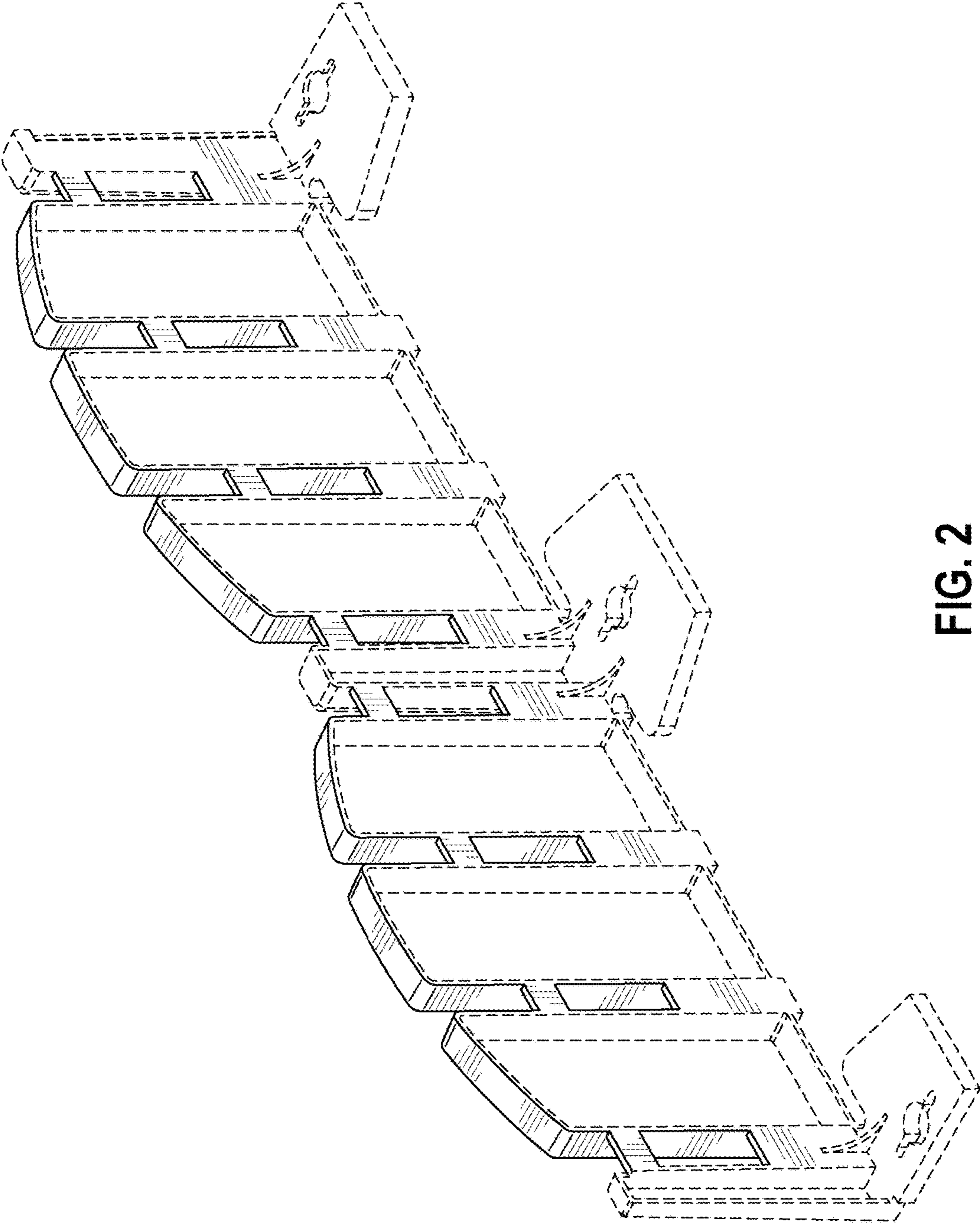


FIG. 2

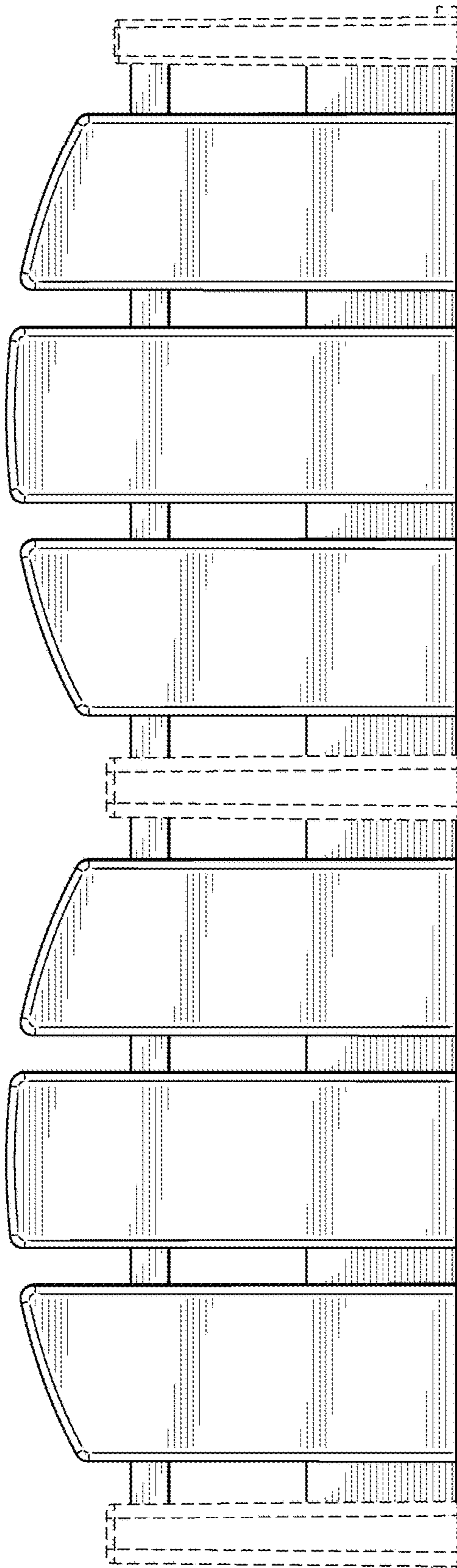


FIG. 3

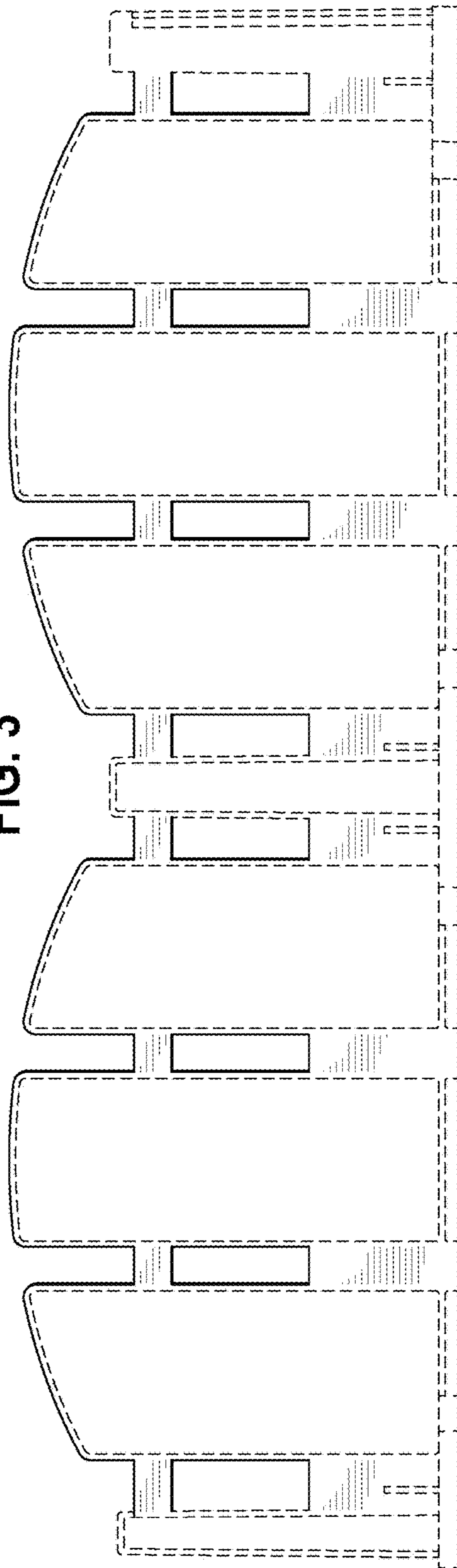


FIG. 4

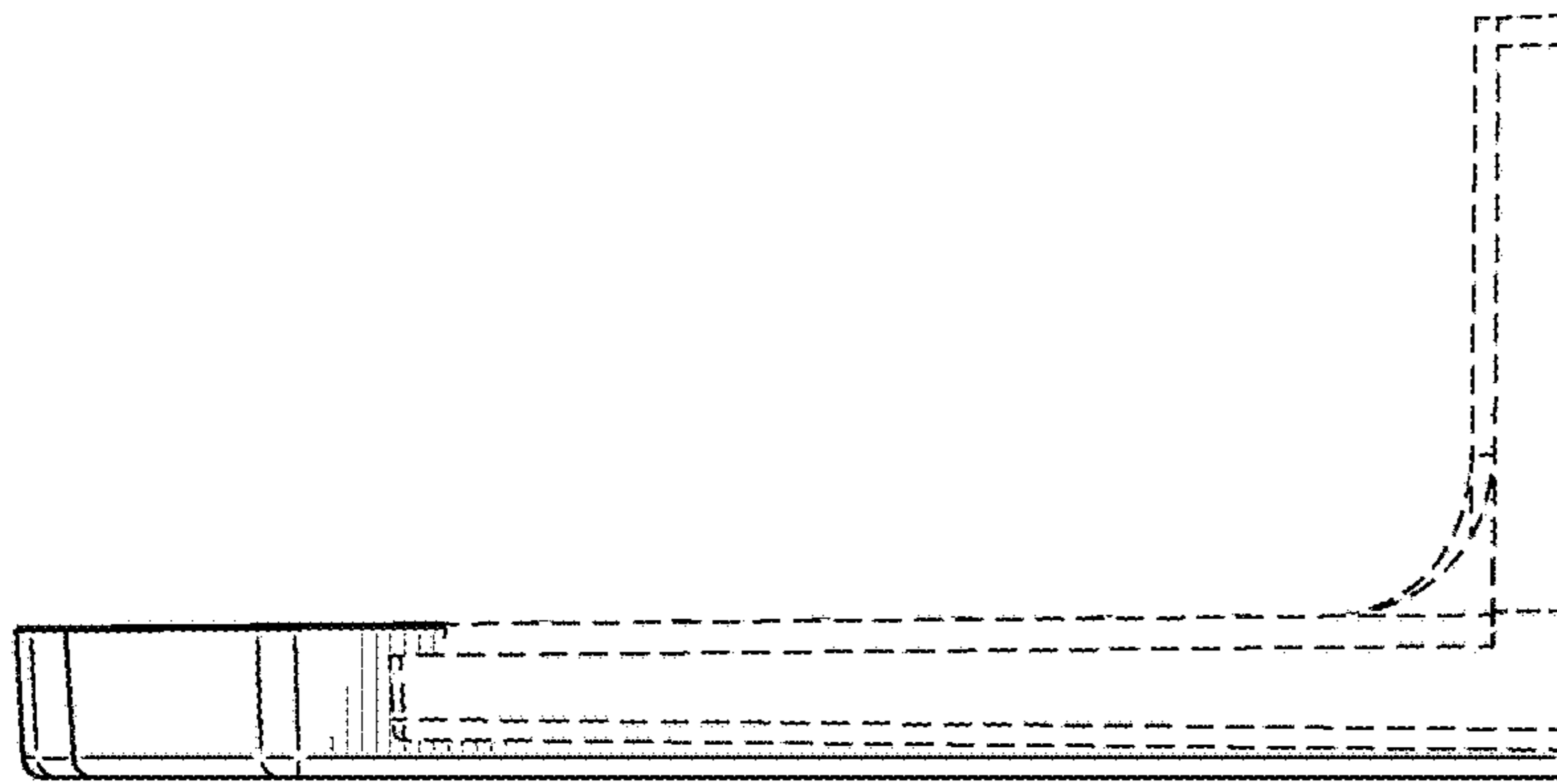


FIG. 6

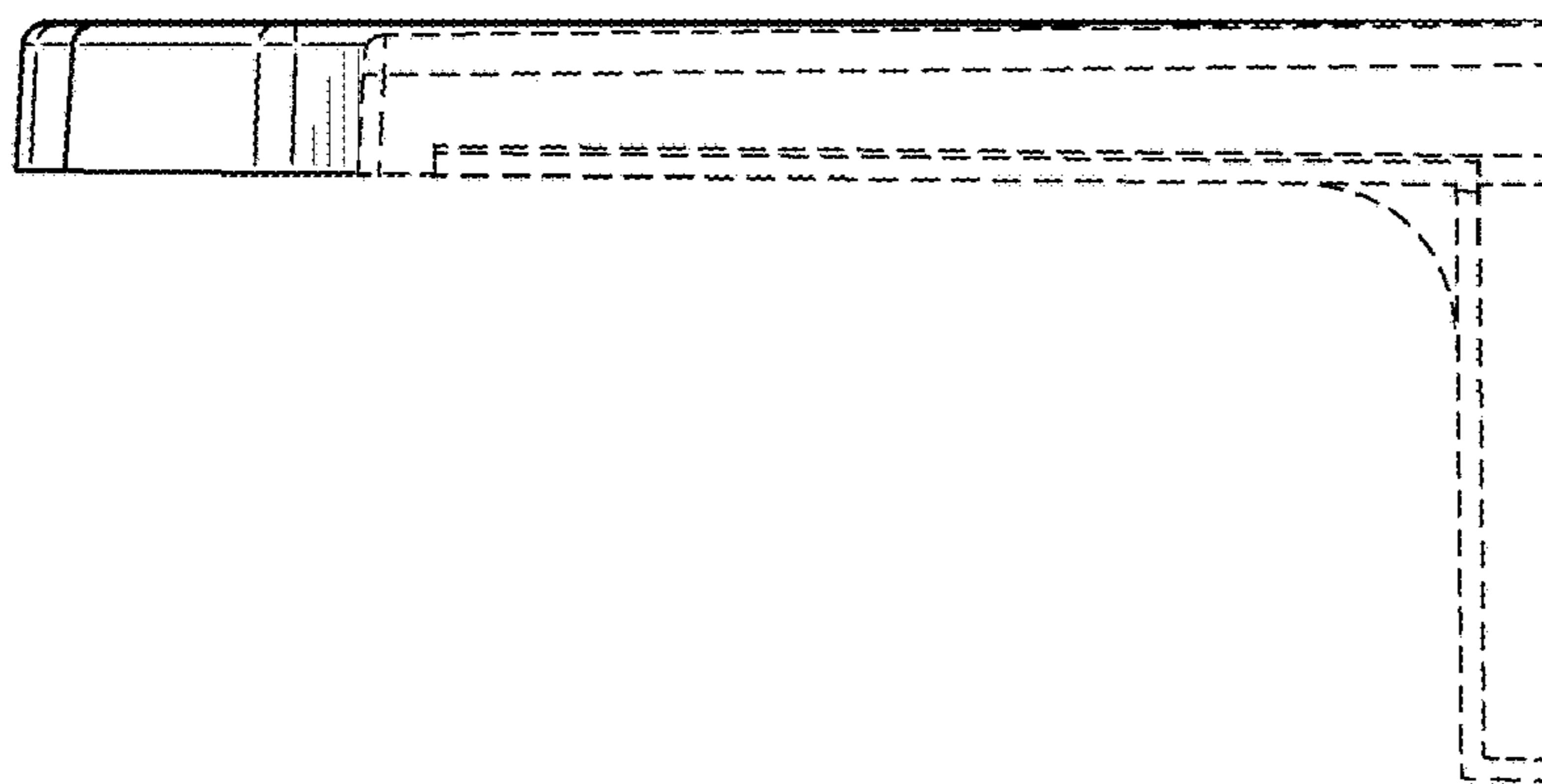


FIG. 5

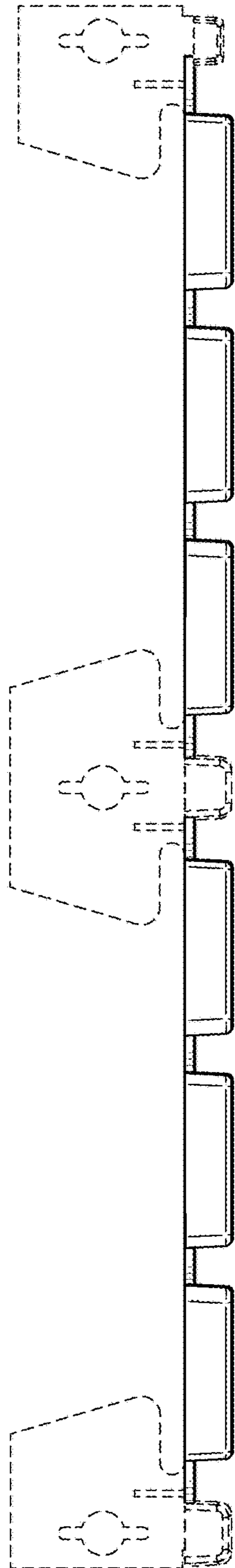


FIG. 7

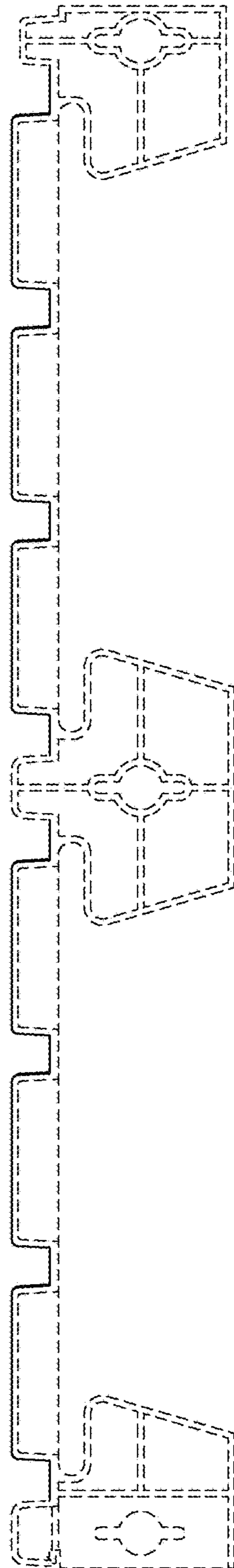


FIG. 8



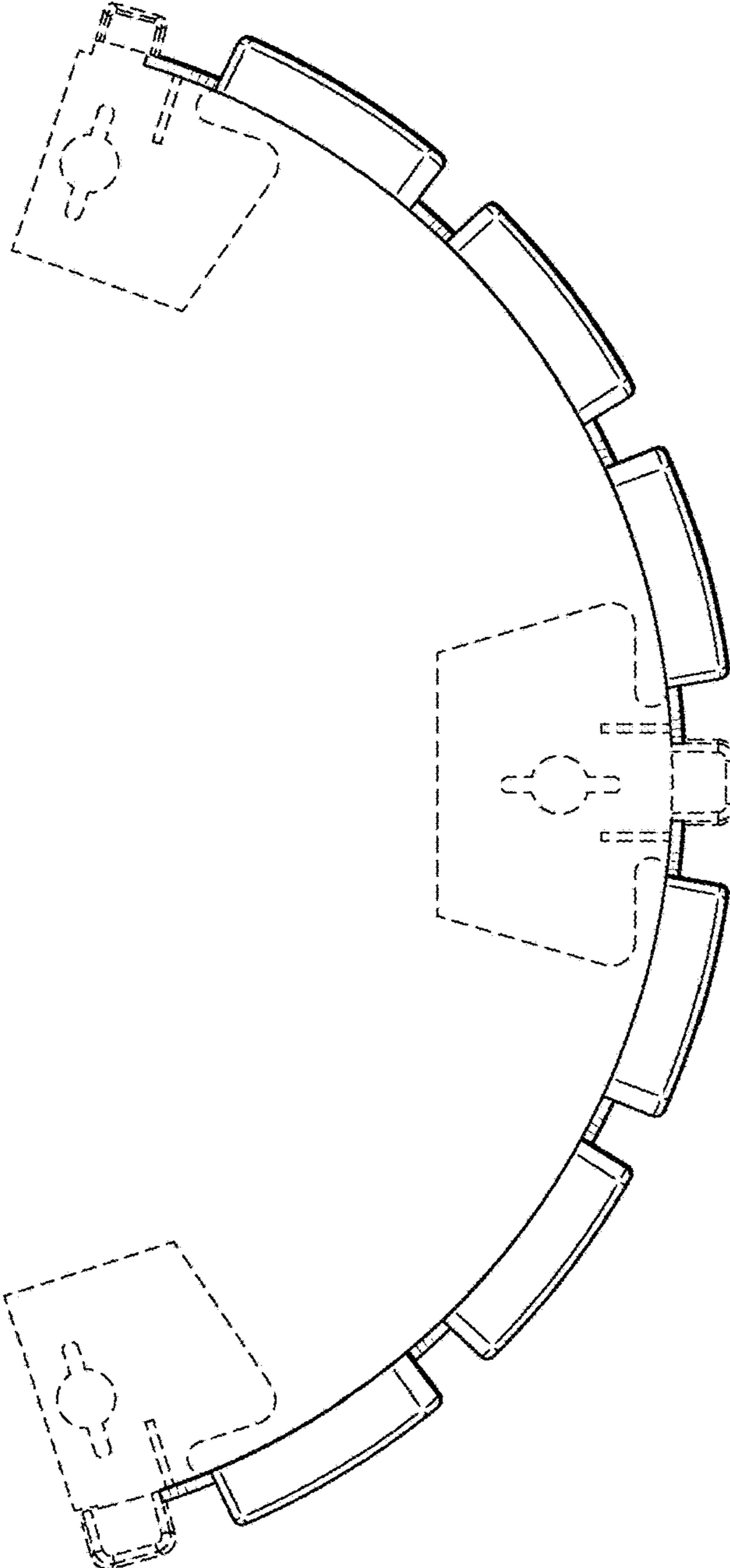


FIG. 9