



US00D872902S

(12) **United States Design Patent**
Keates

(10) **Patent No.:** **US D872,902 S**
(45) **Date of Patent:** **** Jan. 14, 2020**

(54) **SET OF SPIKES FOR A GARDEN EDGING**

(71) Applicant: **COREgravel UK Ltd, Iver (GB)**

(72) Inventor: **Anthony Keates, Iver (GB)**

(73) Assignee: **COREGRAVEL UK LTD, Iver (GB)**

(**) Term: **15 Years**

(21) Appl. No.: **29/613,489**

(22) Filed: **Aug. 10, 2017**

(30) **Foreign Application Priority Data**

Feb. 15, 2017 (GB) 6007309

(51) **LOC (12) Cl.** **25-01**

(52) **U.S. Cl.**
USPC **D25/164**

(58) **Field of Classification Search**
USPC D25/136, 137, 164, 199
CPC A01G 9/00; A01G 9/28; Y10S 30/05
See application file for complete search history.

(56) **References Cited**

U.S. PATENT DOCUMENTS

D1,252 S *	6/1860	Jones	D25/164
D26,410 S *	12/1896	Benjamin	D25/164
4,222,197 A *	9/1980	Johnson	A01G 9/28
				47/33
4,823,521 A *	4/1989	Kontz, Jr.	A01G 9/28
				52/102
5,230,187 A *	7/1993	Reimann	A01G 9/28
				52/102
5,261,760 A *	11/1993	Castonguay	A01G 9/28
				404/7
5,301,461 A *	4/1994	Zwier	A01G 9/28
				47/33

5,913,781 A *	6/1999	Vidmar	A01G 9/28
				52/102
D413,397 S *	8/1999	Benjamin	D25/164
5,941,018 A *	8/1999	Herrema	A01G 9/28
				47/33
6,345,465 B1 *	2/2002	Allen	A01G 9/28
				47/33
D710,661 S *	8/2014	Lu	D8/1
9,232,698 B1 *	1/2016	Williams	A01G 9/28
D776,834 S *	1/2017	Amrine	D25/164
D797,319 S *	9/2017	Amrine	D25/164
2018/0064034 A1 *	3/2018	Schaefer	A01G 9/28
2018/0298577 A1 *	10/2018	Morey	A01G 9/28

* cited by examiner

Primary Examiner — L. Martinez

(74) *Attorney, Agent, or Firm* — Wenderoth, Lind & Ponack, L.L.P.

(57) **CLAIM**

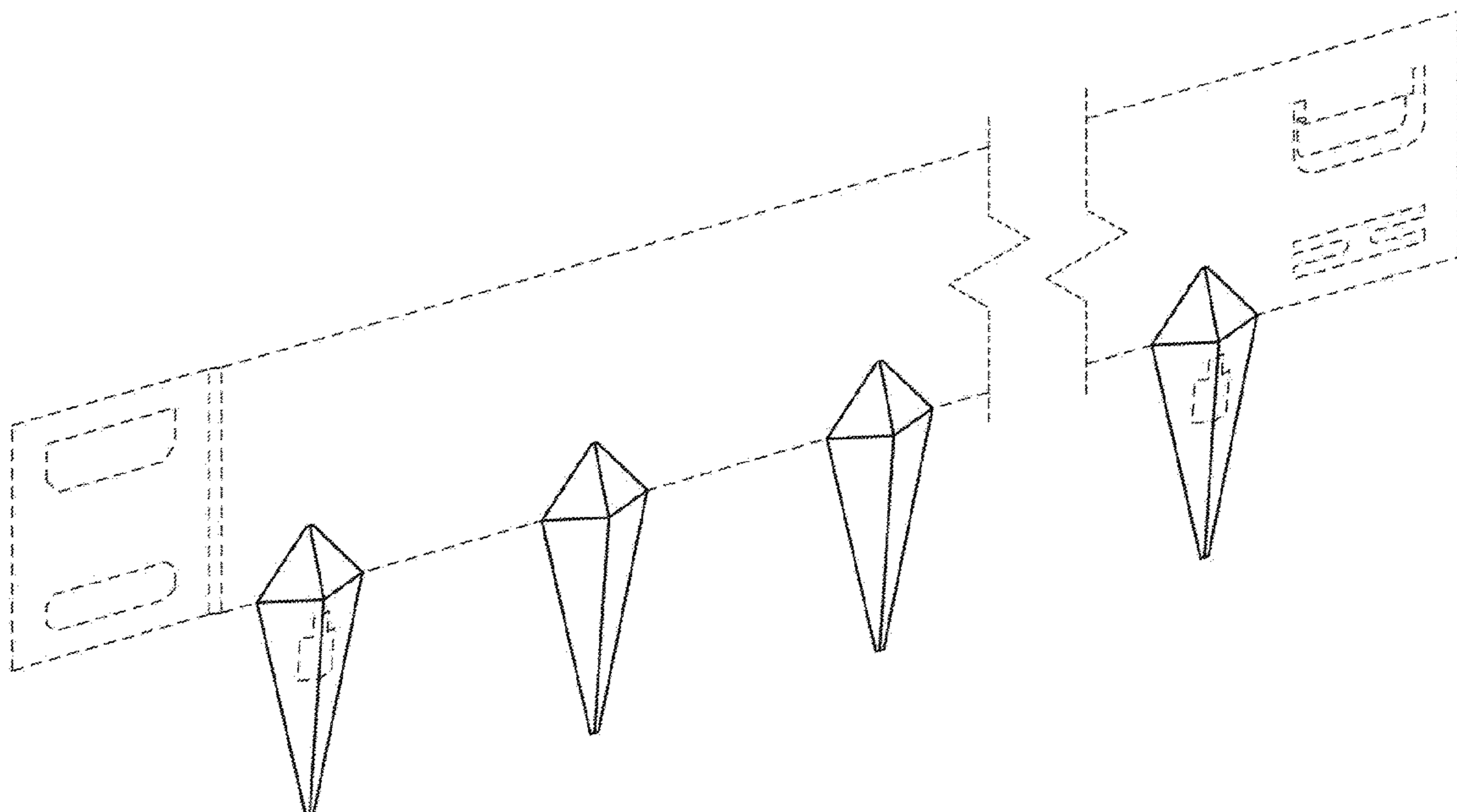
The ornamental design for a set of spikes for a garden edging, as shown and described.

DESCRIPTION

FIG. 1 is a perspective view of a set of spikes for a garden edging showing my new design;
FIG. 2 is a front view thereof;
FIG. 3 is a rear view thereof;
FIG. 4 is a left side view thereof;
FIG. 5 is a right side view thereof;
FIG. 6 is a bottom view thereof; and,
FIG. 7 is a top view thereof.

The broken lines in the figures are for the purpose of illustrating environmental structure and form no part of the claimed design. The broken line areas within the spikes illustrate portions of the set of spikes for a garden edging that form no part of the claimed design.

1 Claim, 6 Drawing Sheets



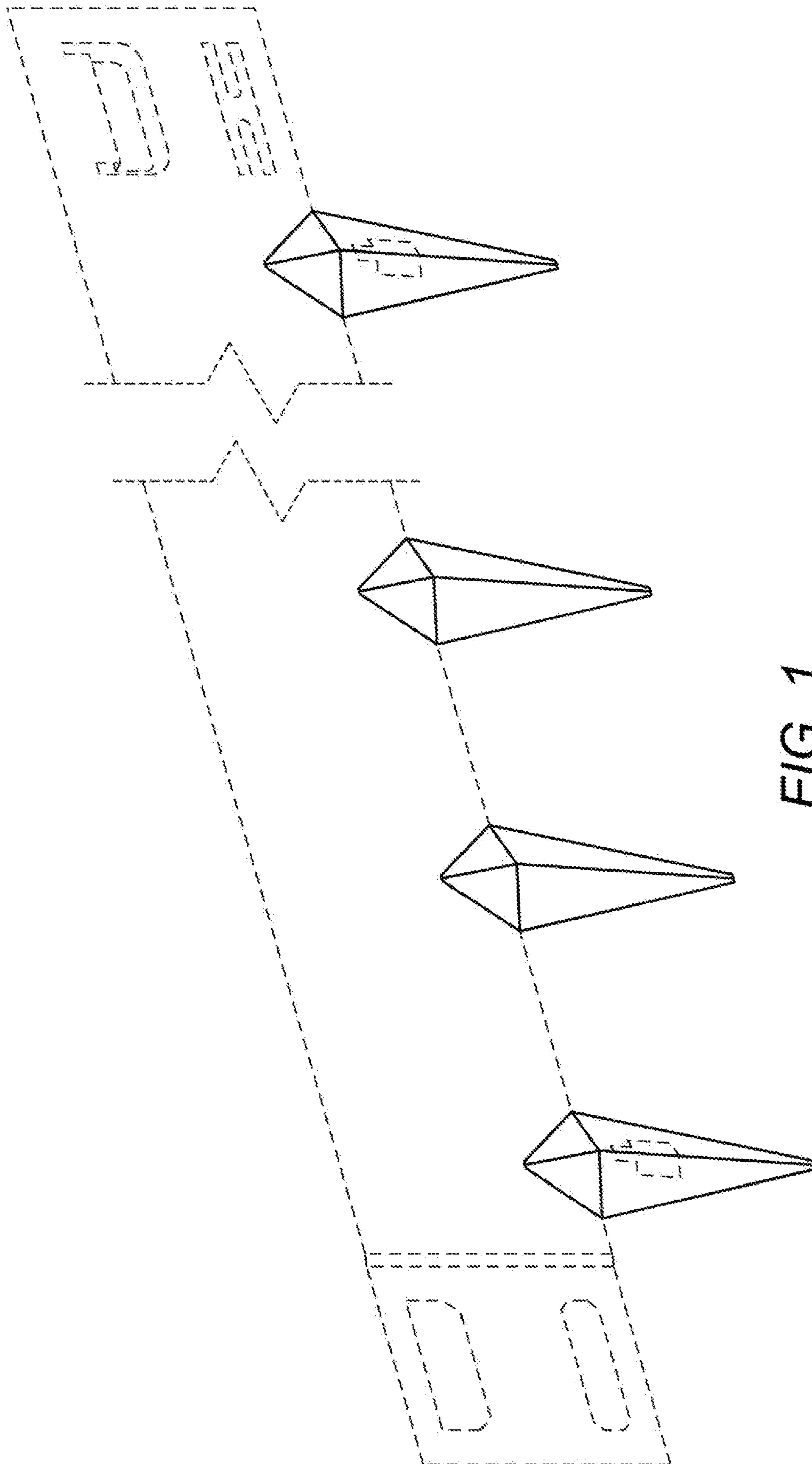


FIG. 1

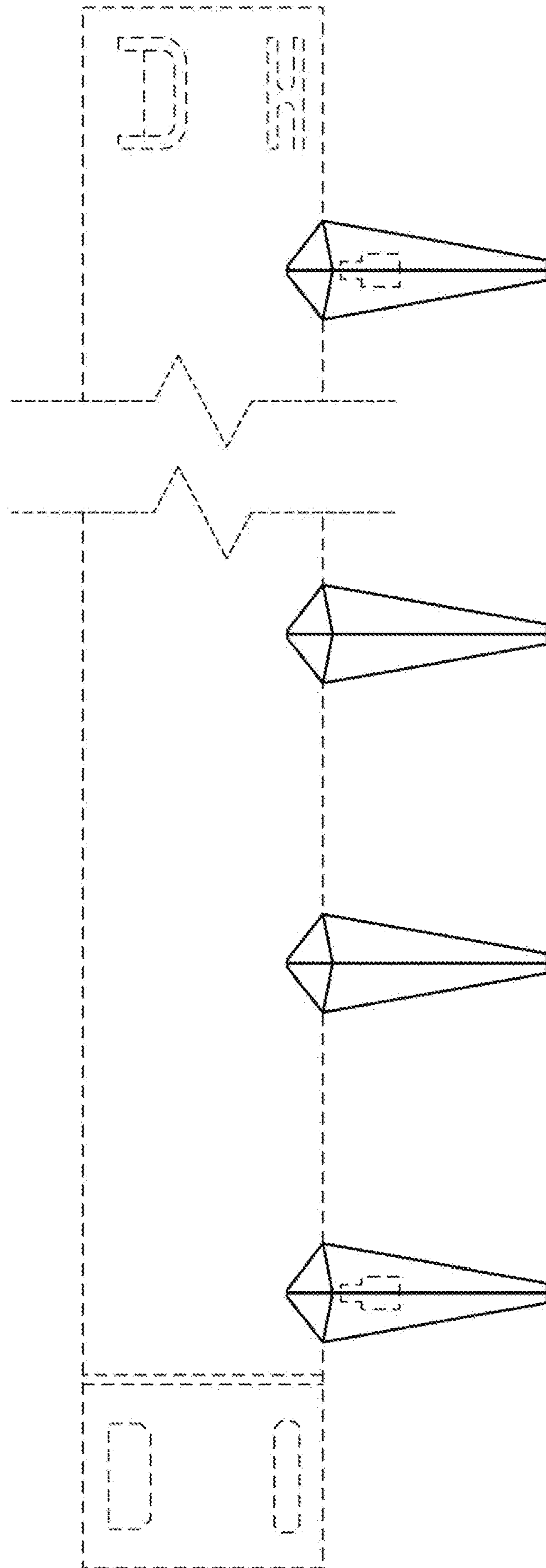


FIG. 2

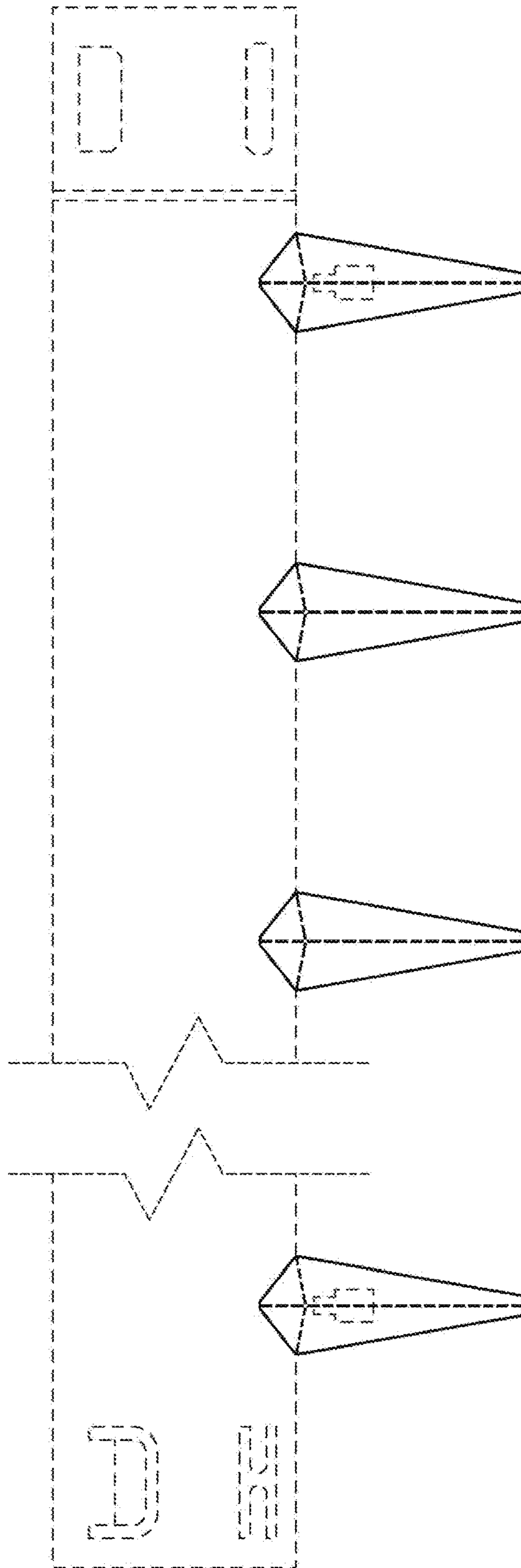


FIG. 3



FIG. 4



FIG. 5

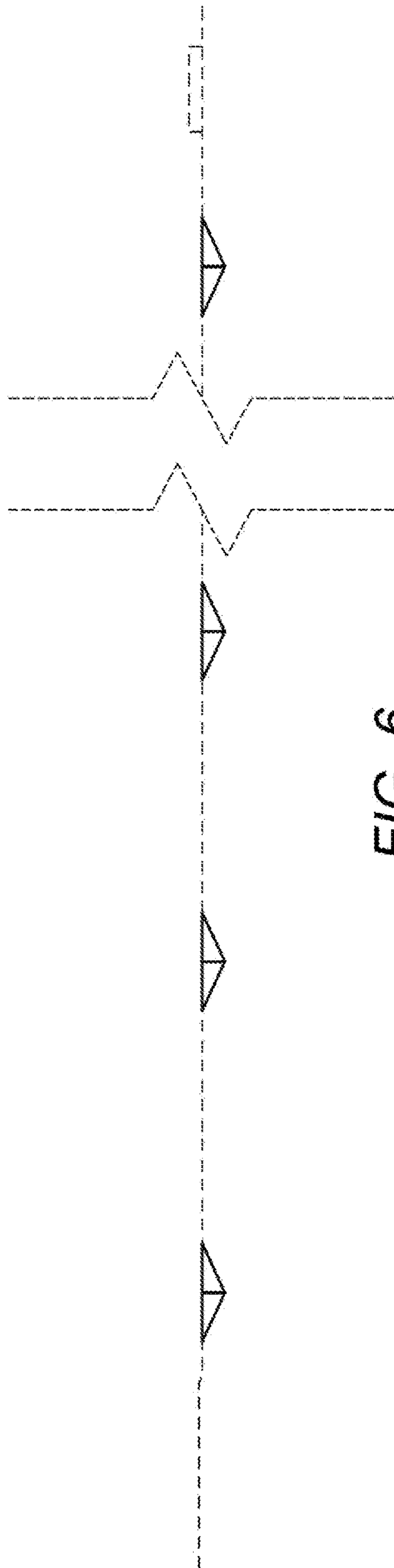


FIG. 6

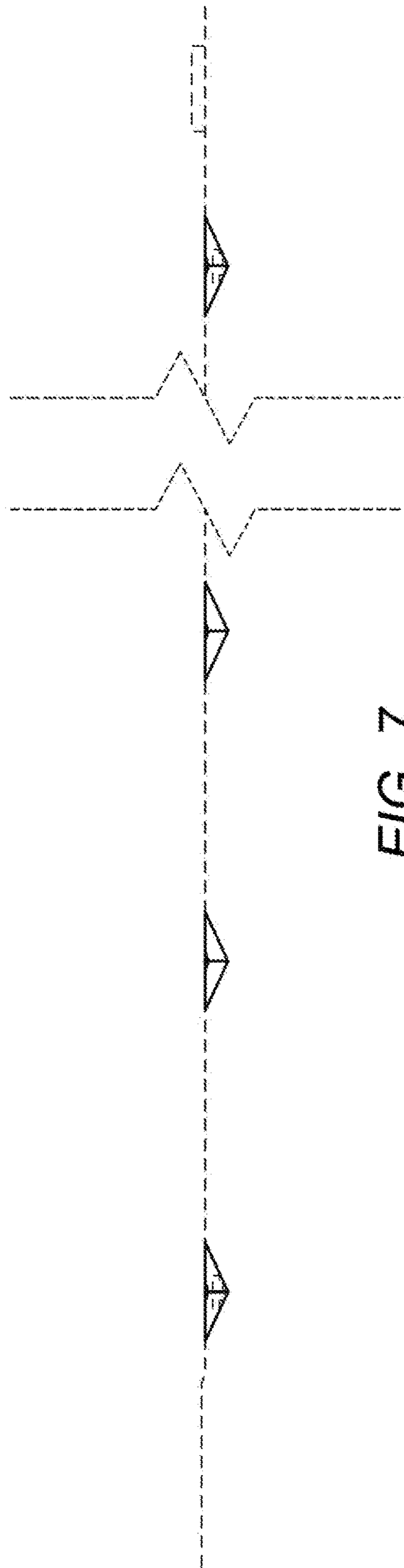


FIG. 7