



US00D872900S

(12) **United States Design Patent**
Heo

(10) **Patent No.:** **US D872,900 S**

(45) **Date of Patent:** **** Jan. 14, 2020**

(54) **PROTECTIVE CAP FOR GABLE END OF ROOF RIDGE**

(71) Applicant: **Bal Heo**, Alpharetta, GA (US)

(72) Inventor: **Bal Heo**, Alpharetta, GA (US)

(**) Term: **15 Years**

(21) Appl. No.: **29/638,195**

(22) Filed: **Feb. 26, 2018**

(51) **LOC (12) Cl.** **25-01**

(52) **U.S. Cl.**
USPC **D25/139**

(58) **Field of Classification Search**
USPC D25/133, 135, 138, 139, 141, 199
CPC .. E04D 1/00; E04D 1/30; E04D 13/15; E04D 13/152; E04D 13/158; E04D 13/1585; E04D 13/174; E04D 13/176; E04D 2001/301; E04D 2001/302; E04D 2001/304; E04D 2001/305

See application file for complete search history.

(56) **References Cited**

U.S. PATENT DOCUMENTS

D221,941 S *	9/1971	Murphy	D25/199
4,015,374 A *	4/1977	Epstein	E04D 1/36
				D25/139
D299,530 S *	1/1989	Hansen	D23/374
5,054,254 A *	10/1991	Sells	E04D 13/174
				454/365
5,295,340 A *	3/1994	Collins	E04D 1/30
				52/276
D412,570 S *	8/1999	Szwartz	D23/374
D422,095 S *	3/2000	Thagard, III	D25/139
6,125,602 A	10/2000	Freiborg		
D433,496 S *	11/2000	Hadley	D23/373

6,182,400 B1 *	2/2001	Freiborg	E04D 1/30	52/276
6,351,913 B1 *	3/2002	Freiborg	E04D 1/30	52/276
D538,443 S *	3/2007	Gardner	D25/135	
D538,949 S *	3/2007	Stegmeier	D25/199	
D545,423 S *	6/2007	Delallo	D23/386	
D603,981 S *	11/2009	King	D25/139	
8,453,408 B2 *	6/2013	Kalkanoglu	E04D 1/30	52/43
D694,394 S *	11/2013	Polston	D23/393	
D757,924 S *	5/2016	Briggs	D23/386	
9,528,267 B1 *	12/2016	Penrod	E04D 3/38	
10,036,166 B1 *	7/2018	Heo	E04D 1/30	
2010/0212246 A1 *	8/2010	Grubka	E04D 1/30	52/540
2013/0174496 A1 *	7/2013	Lanza	E04D 1/30	52/58
2016/0053493 A1 *	2/2016	Rotter	E04D 13/174	52/198

* cited by examiner

Primary Examiner — L. Martinez

(74) *Attorney, Agent, or Firm* — Young Jeon

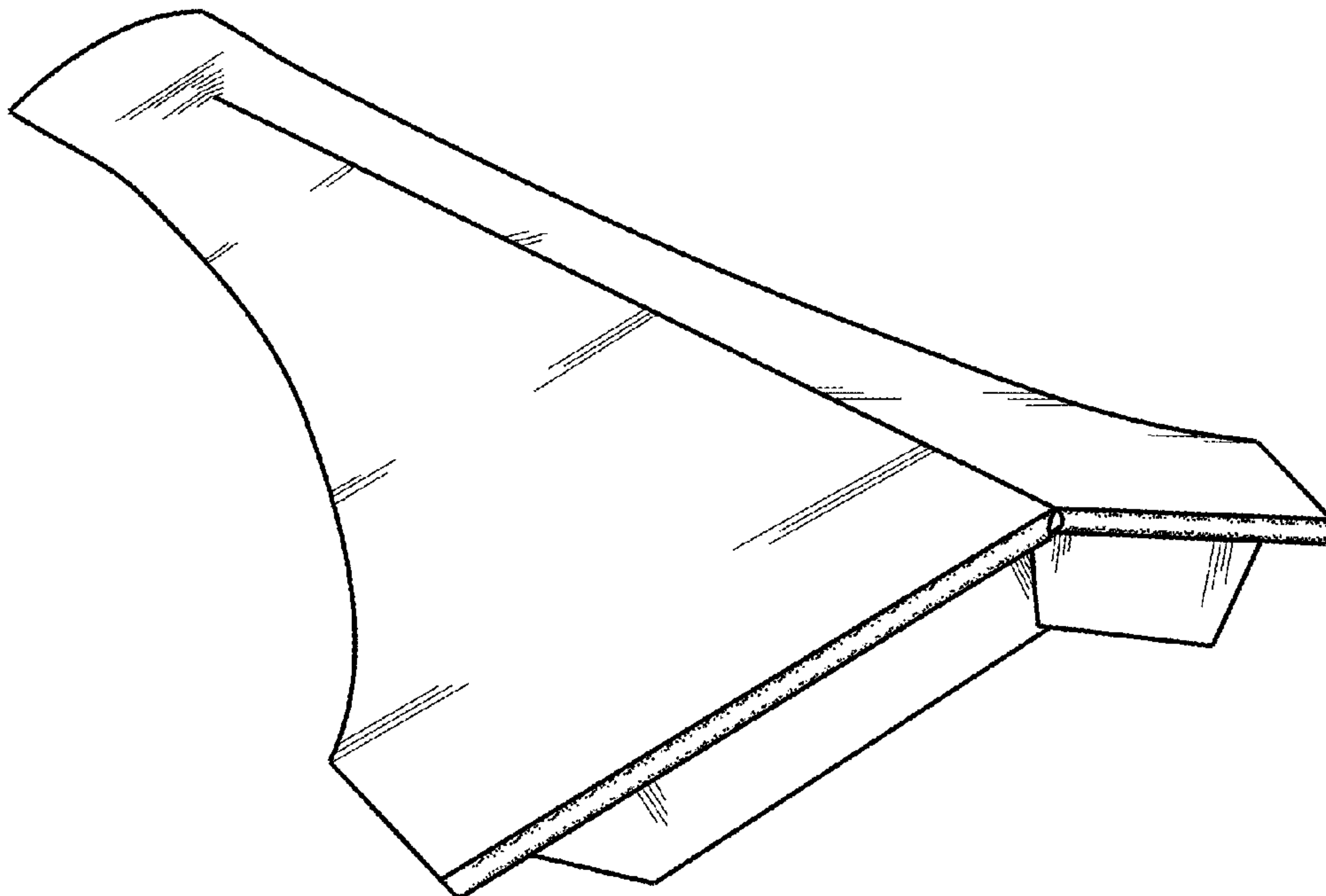
(57) **CLAIM**

The ornamental design for a protective cap for gable end of roof ridge, as shown and described.

DESCRIPTION

FIG. 1 is a perspective view of a protective cap for gable end of roof ridge showing my new design; FIG. 2 is a top view thereof; FIG. 3 is a front side view thereof; FIG. 4 is a right side view thereof, the left side view being a mirror image thereof; and, FIG. 5 is a bottom view thereof.

1 Claim, 4 Drawing Sheets



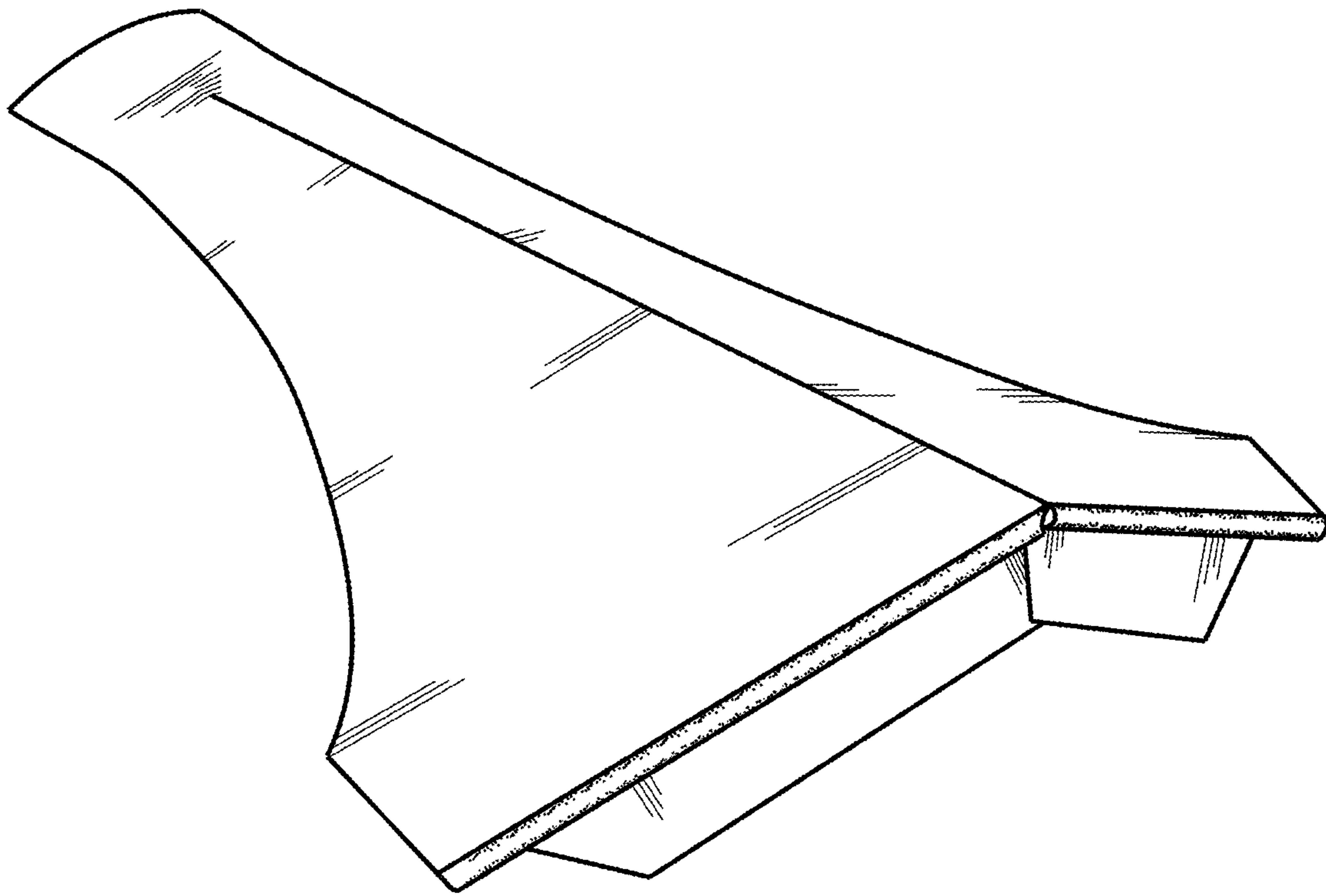


FIG. 1

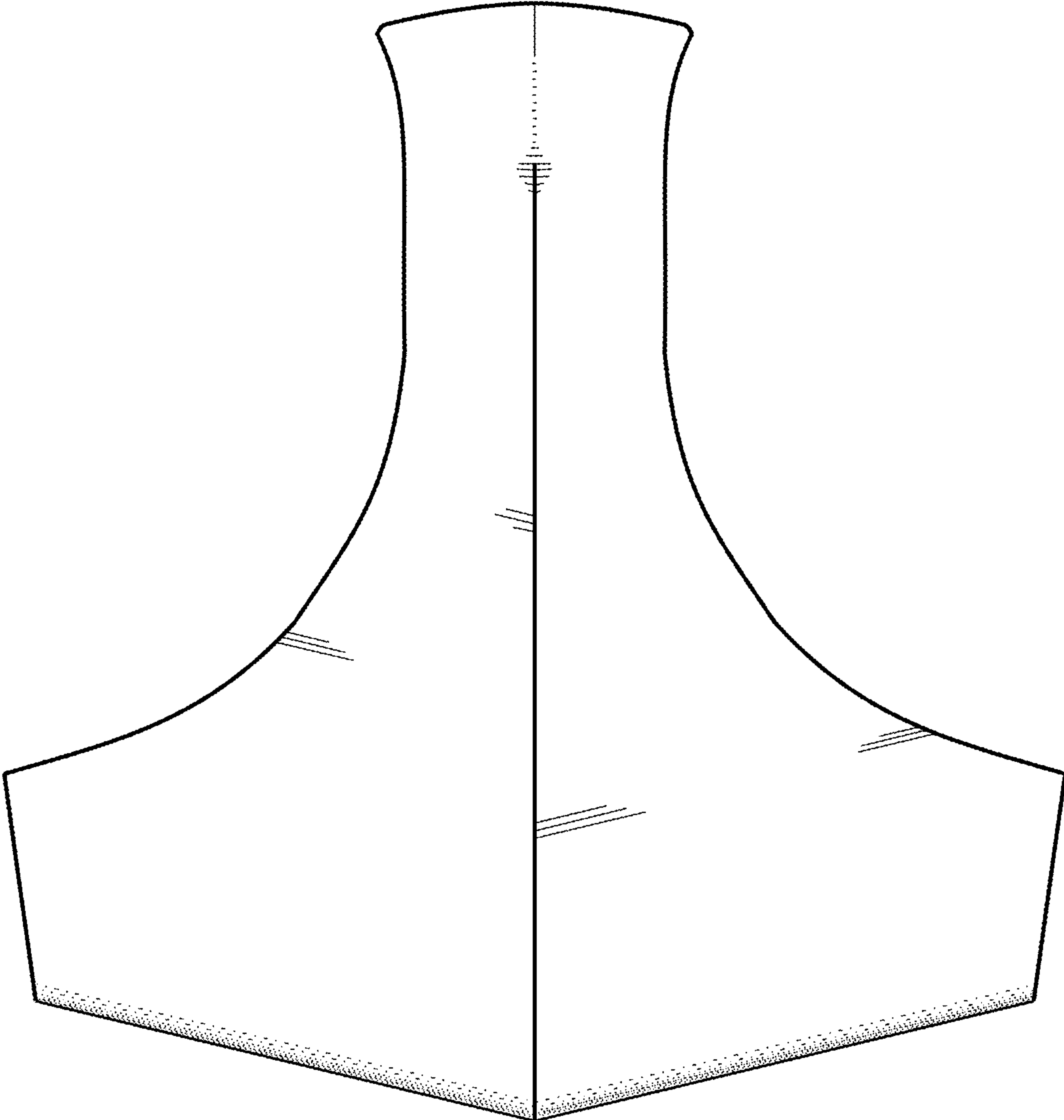


FIG. 2

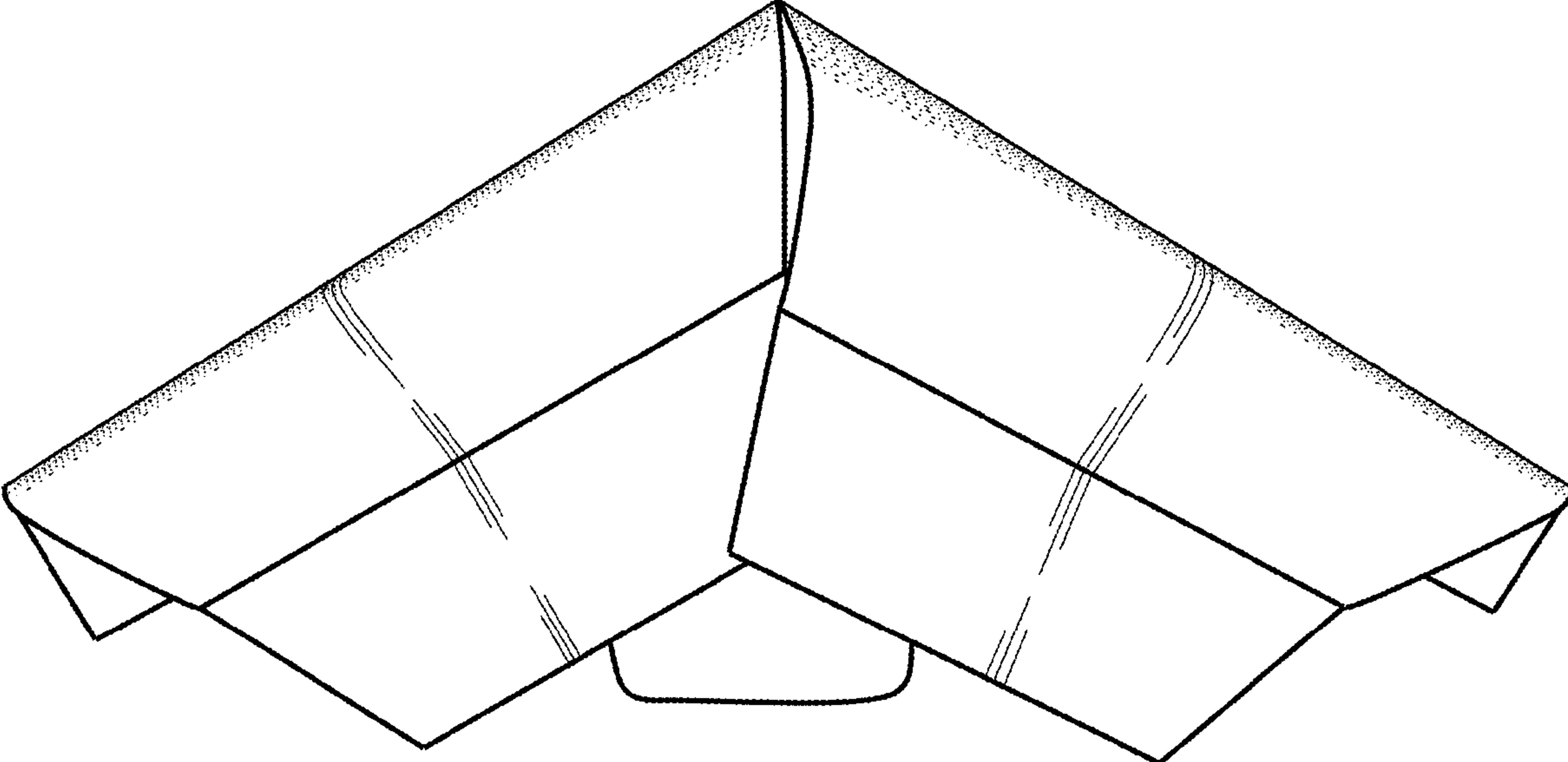


FIG. 3

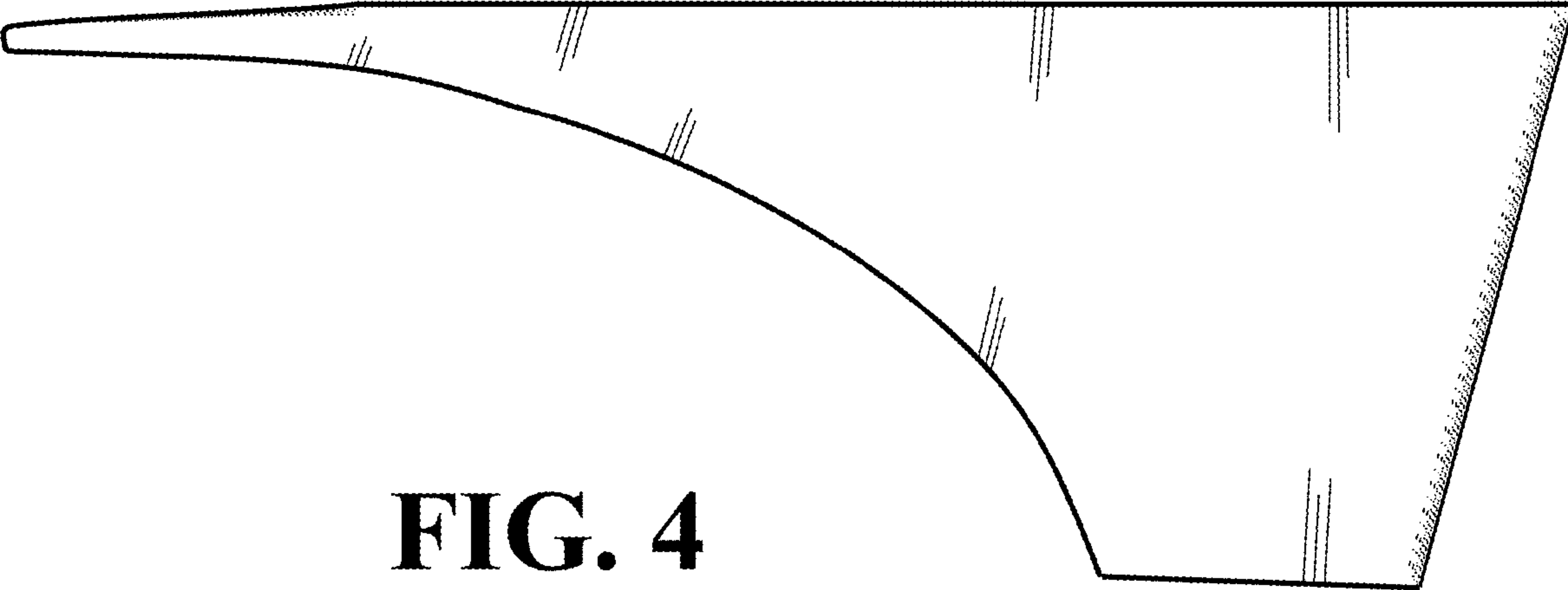


FIG. 4

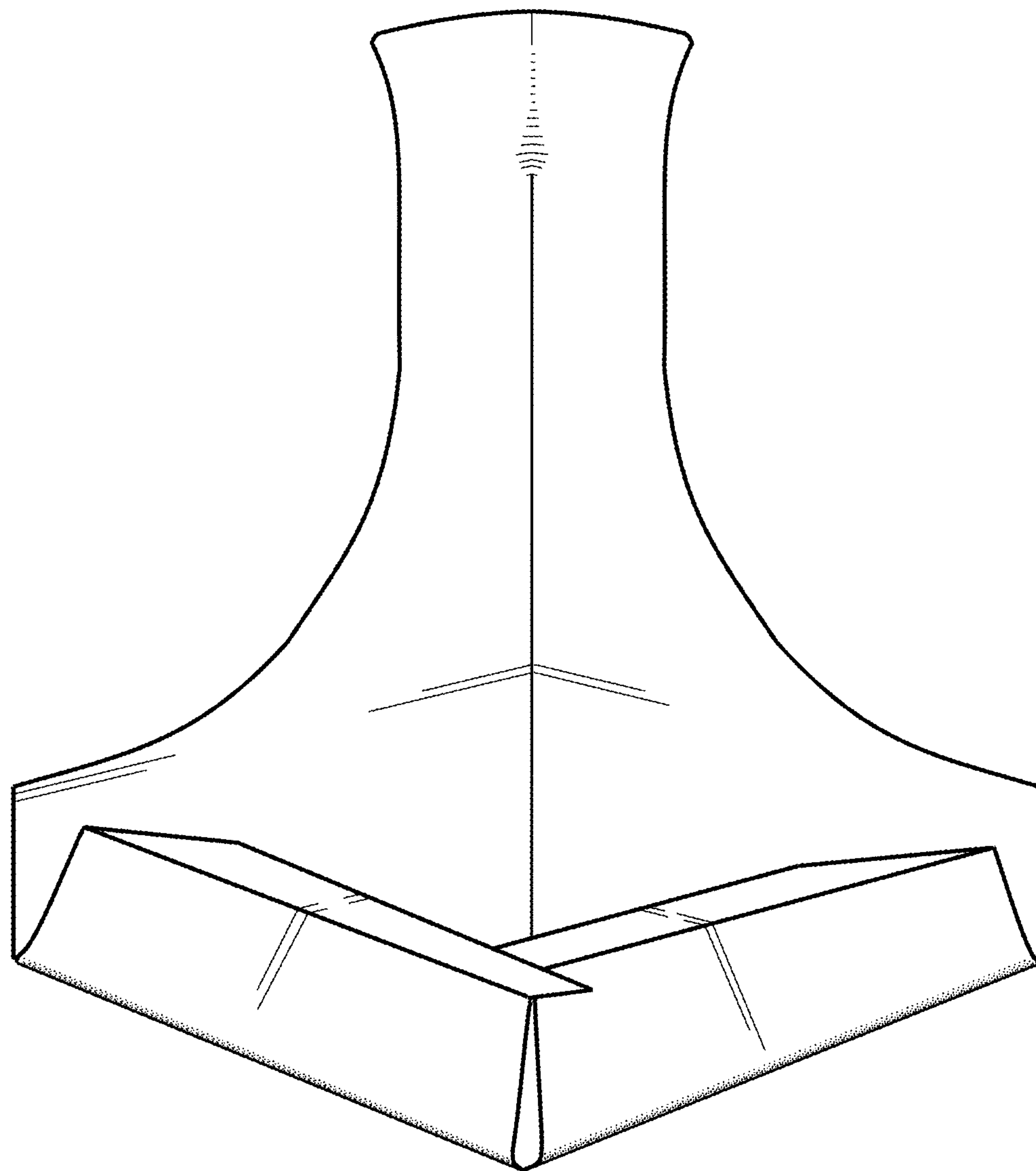


FIG. 5