



US00D872899S

(12) **United States Design Patent**
Britton

(10) **Patent No.:** **US D872,899 S**

(45) **Date of Patent:** **** Jan. 14, 2020**

- (54) **STRUCTURAL BUILDING PANEL**
- (71) Applicant: **Rex Britton**, Prescott, AZ (US)
- (72) Inventor: **Rex Britton**, Prescott, AZ (US)
- (**) Term: **15 Years**
- (21) Appl. No.: **29/651,662**
- (22) Filed: **Dec. 1, 2018**
- (51) **LOC (12) Cl.** **25-01**
- (52) **U.S. Cl.**
USPC **D25/138**
- (58) **Field of Classification Search**
USPC D25/102, 103, 112, 113, 114, 115, 118,
D25/138, 139, 140, 144; 428/34.2;
52/309.4, 309.8, 426, 582.1, 590.1, 293.1
CPC E04C 2/38; E04C 2/44; E04C 3/29; E04C
2/384; E04C 2/388; E04C 3/07; E04C
1/00; E04C 2/32; B32B 5/20; B32B
27/40; E04B 1/61; E04B 1/62; E04B 1/14
See application file for complete search history.

- 6,044,603 A * 4/2000 Bader E04C 2/384
52/309.16
- 6,058,671 A * 5/2000 Strickland E04B 1/6137
411/539
- 7,406,804 B2 * 8/2008 Den Daas E04B 1/4178
405/286
- D710,035 S * 7/2014 Amend D25/138
- D722,395 S * 2/2015 Britton D25/138
- D723,191 S * 2/2015 Britton D25/138
- 9,010,054 B2 * 4/2015 Herdt B29C 44/1214
52/220.2
- 9,151,053 B2 * 10/2015 Stephens, Jr. E04C 2/52
- 9,340,972 B2 * 5/2016 Naidoo E04B 1/14
- D803,418 S * 11/2017 Annibale D25/58

(Continued)

Primary Examiner — Kevin K Rudzinski

Assistant Examiner — Kimberly Barnes

(57) **CLAIM**

The ornamental design for a “structural building panel”, as shown and described.

DESCRIPTION

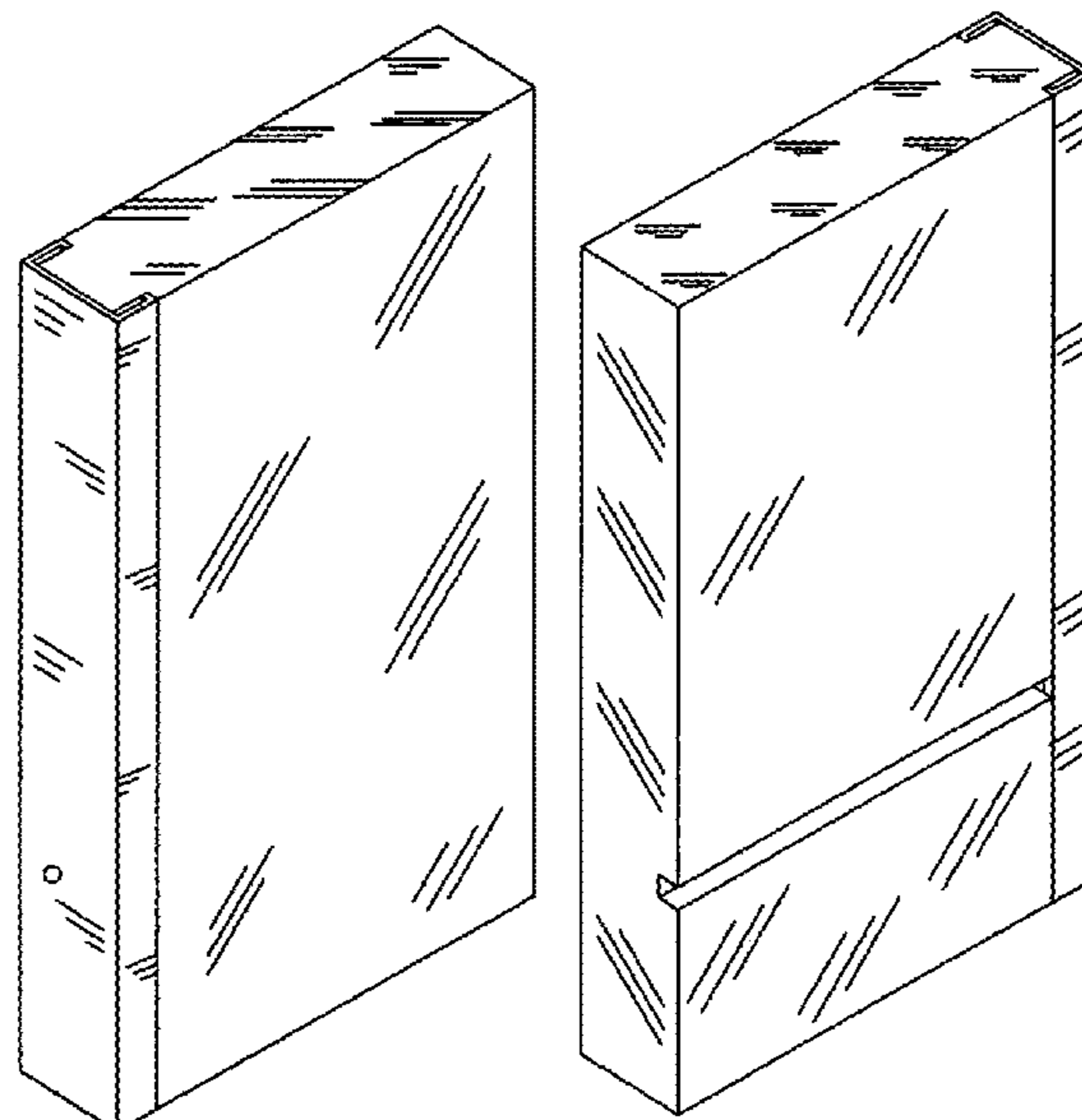
FIG. 1 is a perspective view showing my new design for a structural building panel from the front, top, and right side; FIG. 2 is a perspective view showing the design from the front, top and left side; FIG. 3 is a perspective view showing the design from the rear, top and left side; FIG. 4 is another perspective view of the design showing the design from the top, rear and left side; FIG. 5 is a perspective view showing the design from the bottom, rear and left side; FIG. 6 is a front elevational view thereof; FIG. 7 is a rear elevational view thereof; FIG. 8 is a right-side elevational view thereof; FIG. 9 is a left-side elevational view thereof; FIG. 10 is a top plan view thereof; and, FIG. 11 is a bottom plan view thereof.

1 Claim, 9 Drawing Sheets

(56) **References Cited**

U.S. PATENT DOCUMENTS

- 3,365,848 A * 1/1968 Piget A47B 47/05
52/105
- 3,488,904 A * 1/1970 Dawdy E04B 2/7401
52/241
- 4,015,386 A * 4/1977 Cook E04B 1/942
52/232
- 4,018,020 A * 4/1977 Sauer E04B 2/7457
52/241
- D360,700 S * 7/1995 Myers D25/138
- 5,515,659 A * 5/1996 MacDonald E04C 2/384
52/247
- 5,524,400 A * 6/1996 Schmechel E04B 1/14
52/236.7
- 5,966,885 A * 10/1999 Chatelain E04C 2/22
52/309.4



(56)

References Cited

U.S. PATENT DOCUMENTS

| | | | | | |
|--------------|------|--------|-----------|-------|------------------------|
| 10,024,057 | B2 * | 7/2018 | Gibson | | E04B 7/22 |
| D837,414 | S * | 1/2019 | Wilson | | D25/138 |
| D837,417 | S * | 1/2019 | Britton | | D25/138 |
| D837,418 | S * | 1/2019 | Britton | | D25/138 |
| 2006/0117689 | A1 * | 6/2006 | Onken | | E04C 2/22 52/309.7 |
| 2008/0104913 | A1 * | 5/2008 | Messenger | | E04C 2/288 52/309.9 |
| 2017/0191258 | A1 * | 7/2017 | Gatland | | E04C 2/04 |

* cited by examiner

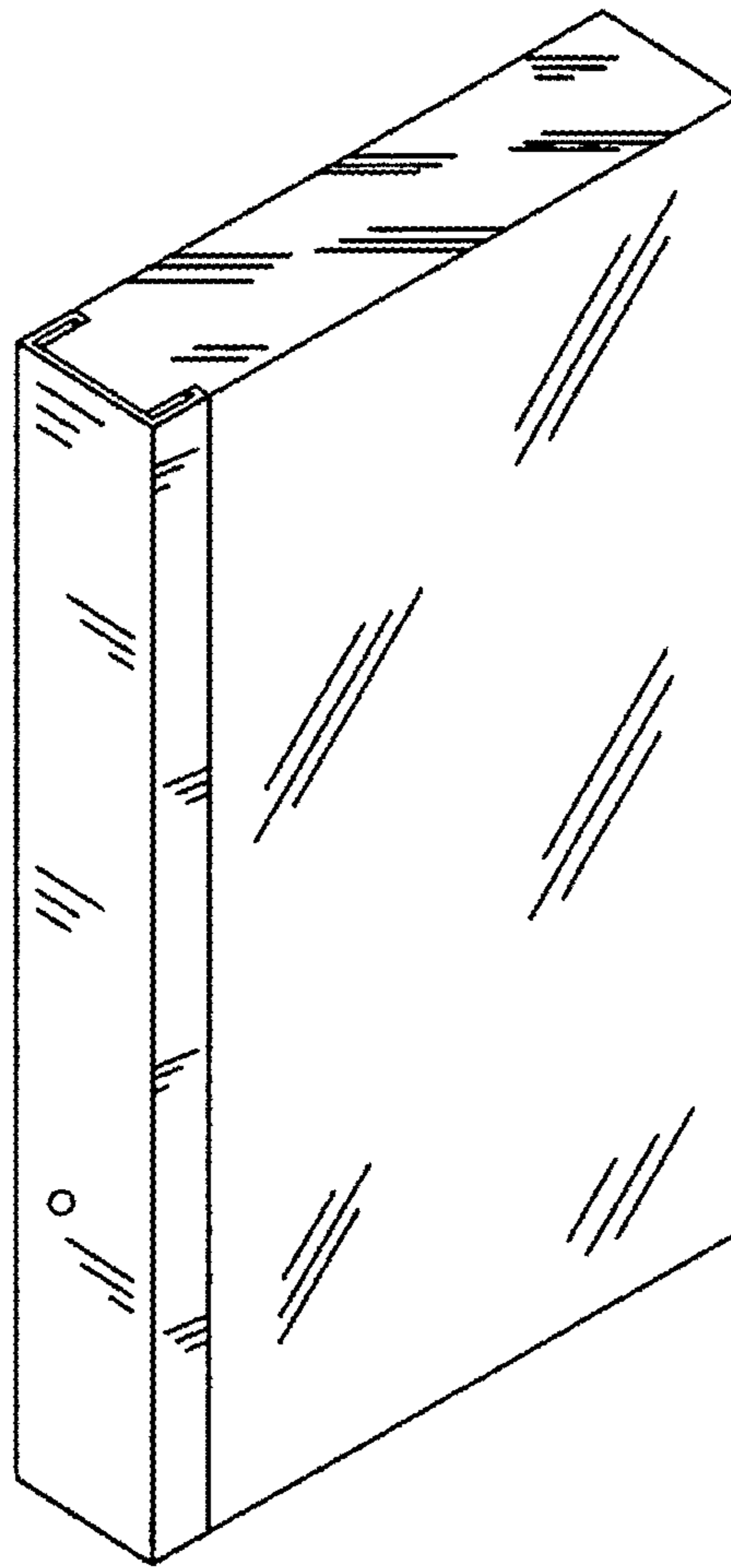


FIG. 1

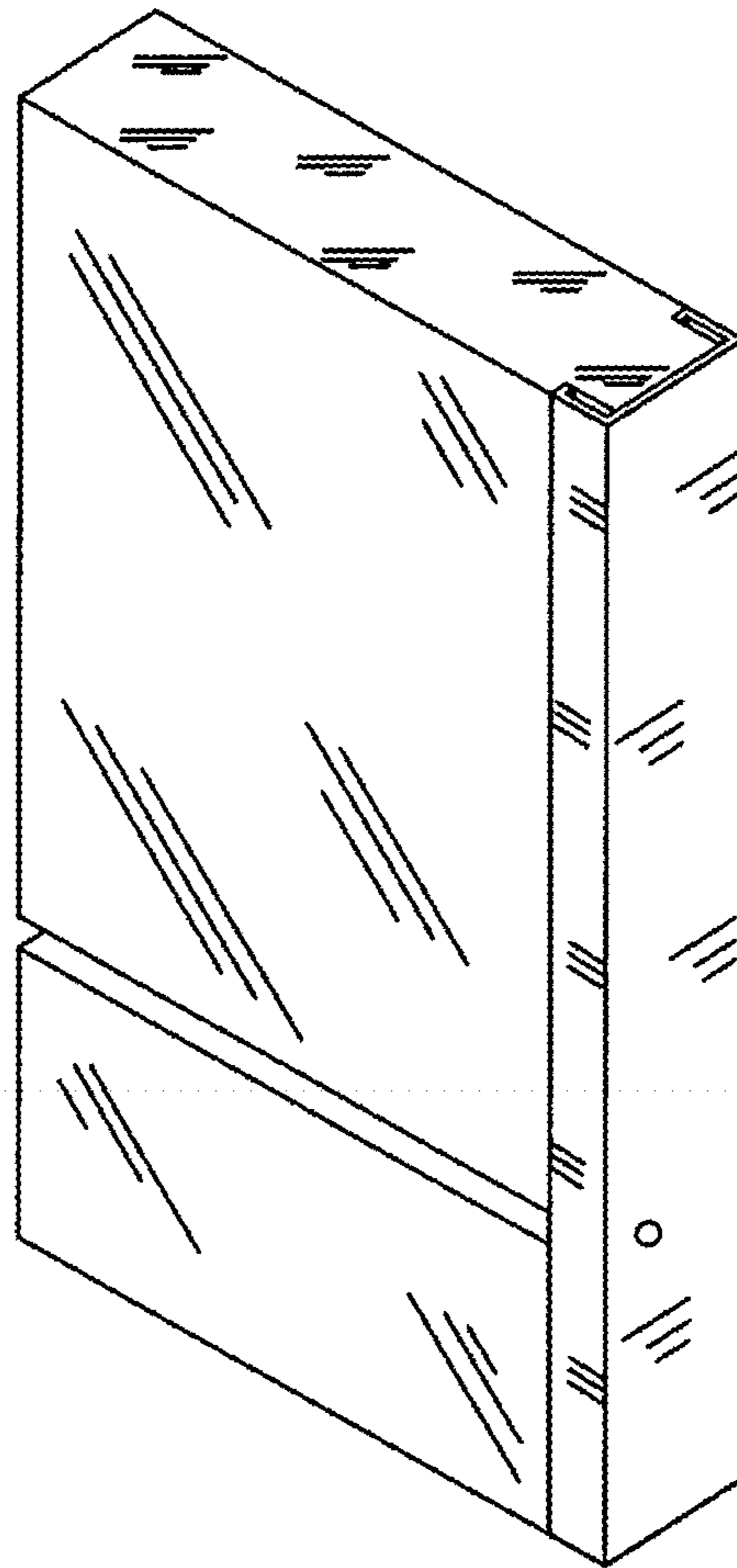


FIG. 2

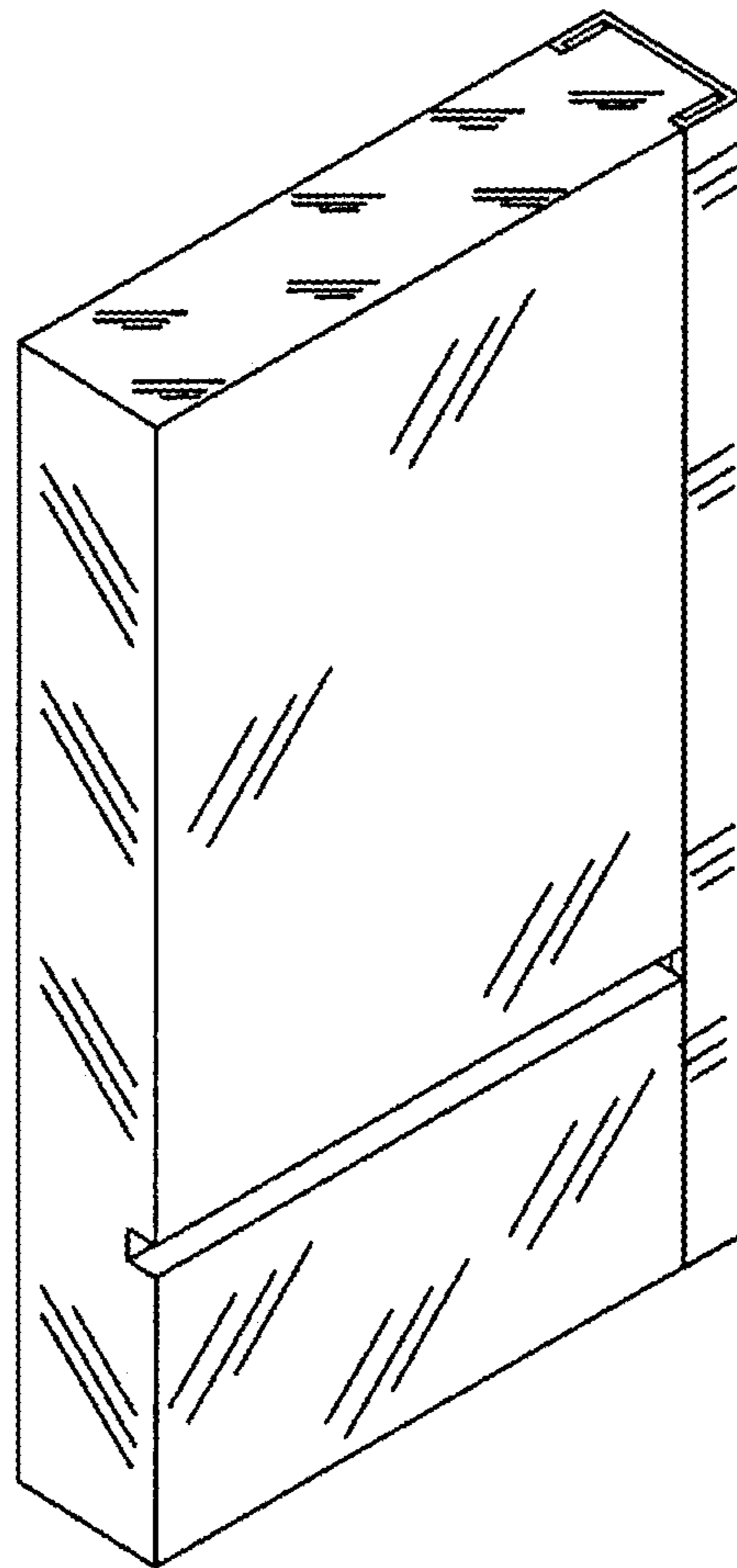


FIG. 3

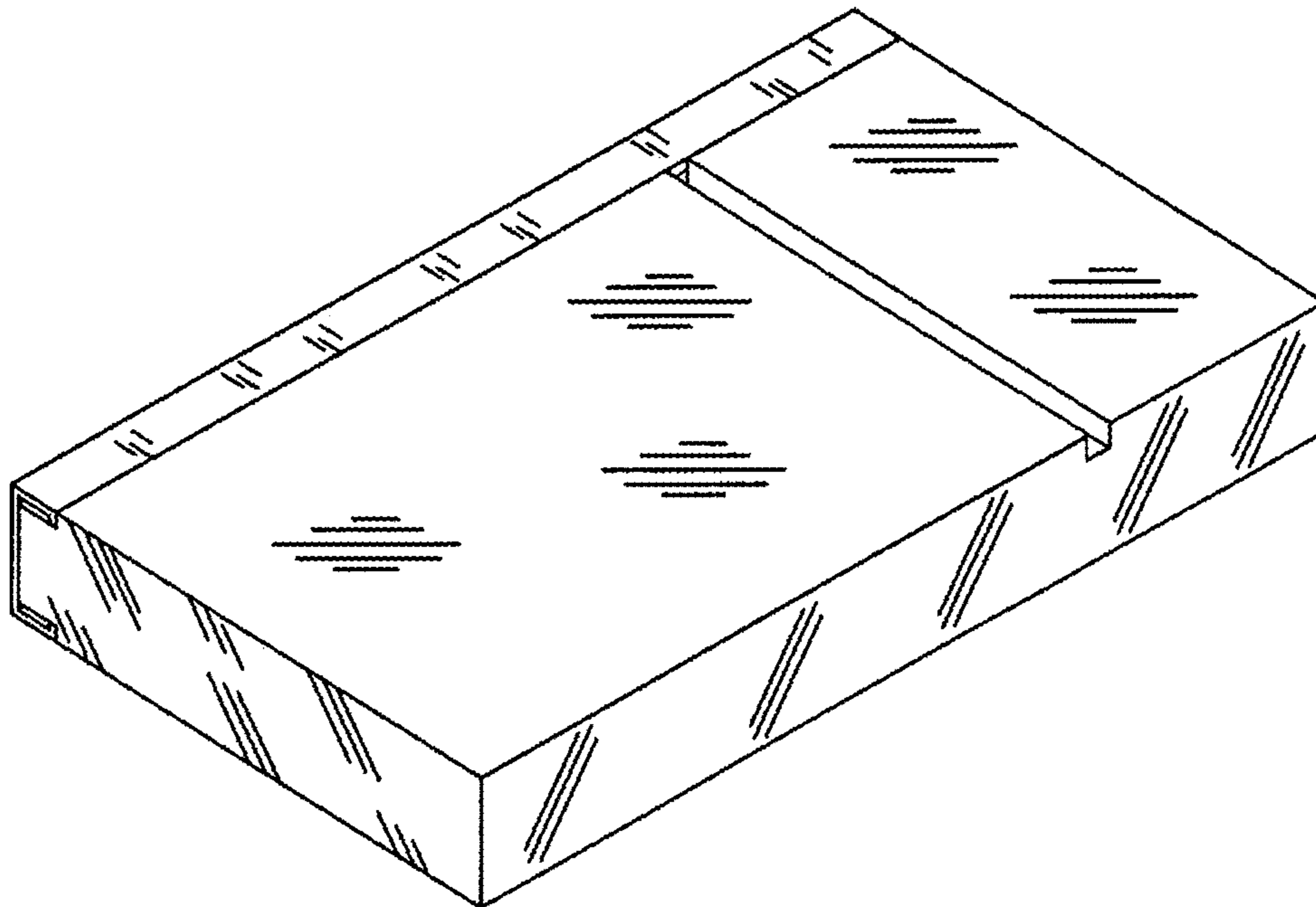


FIG. 4

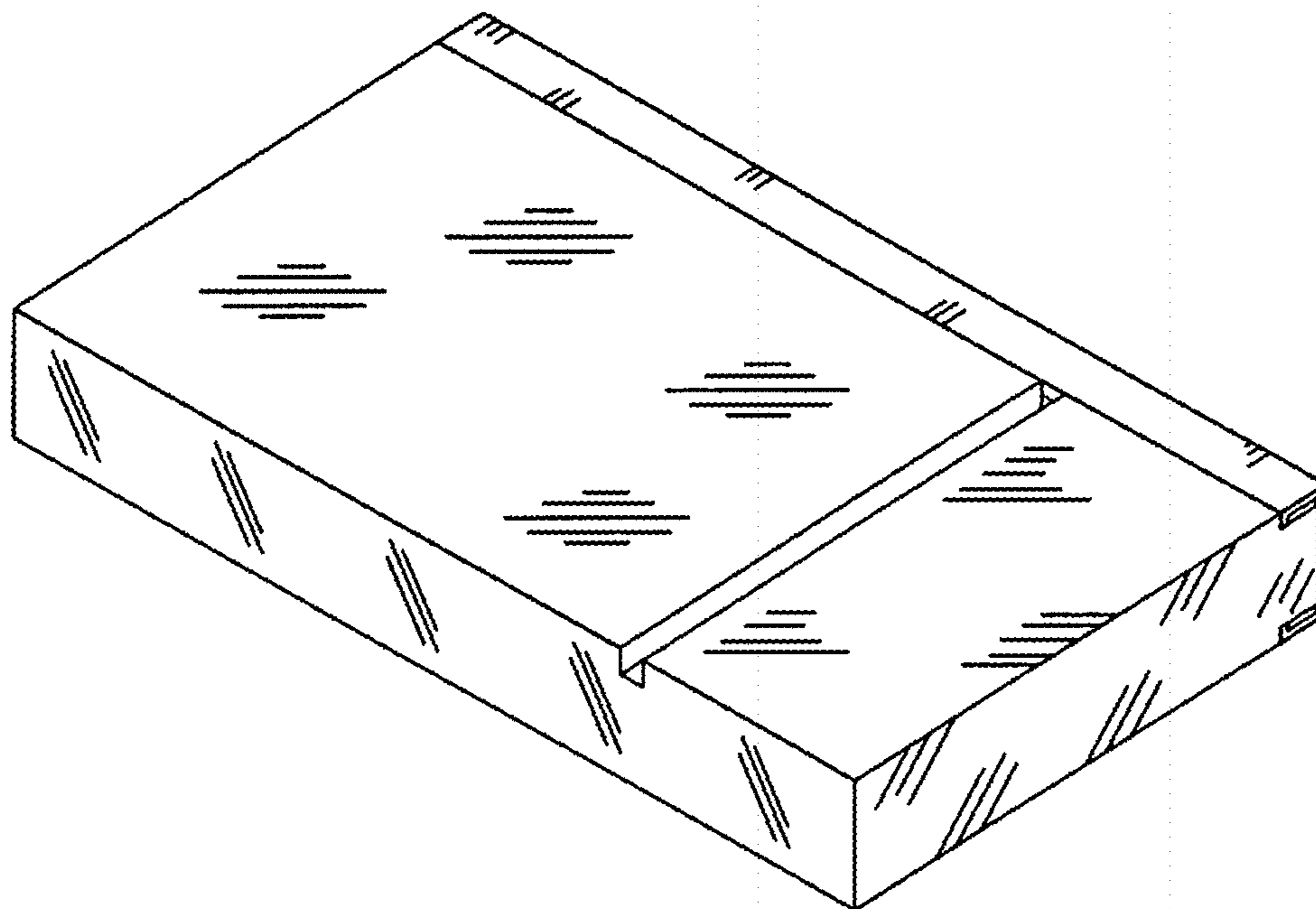


FIG. 5

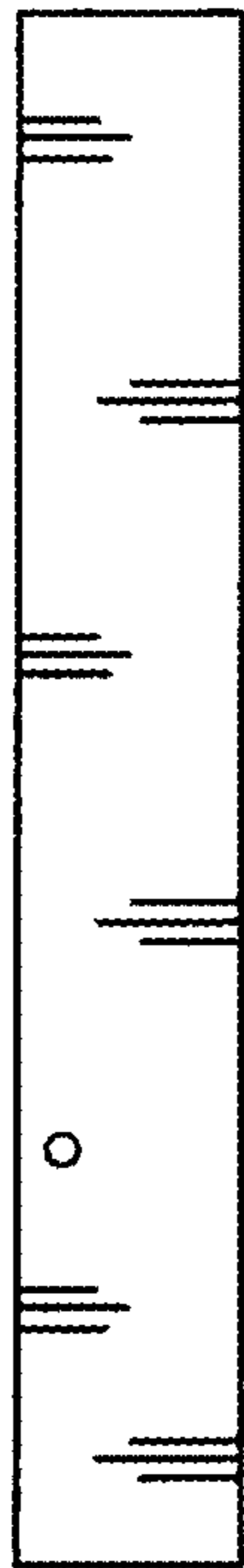


FIG. 6



FIG. 7

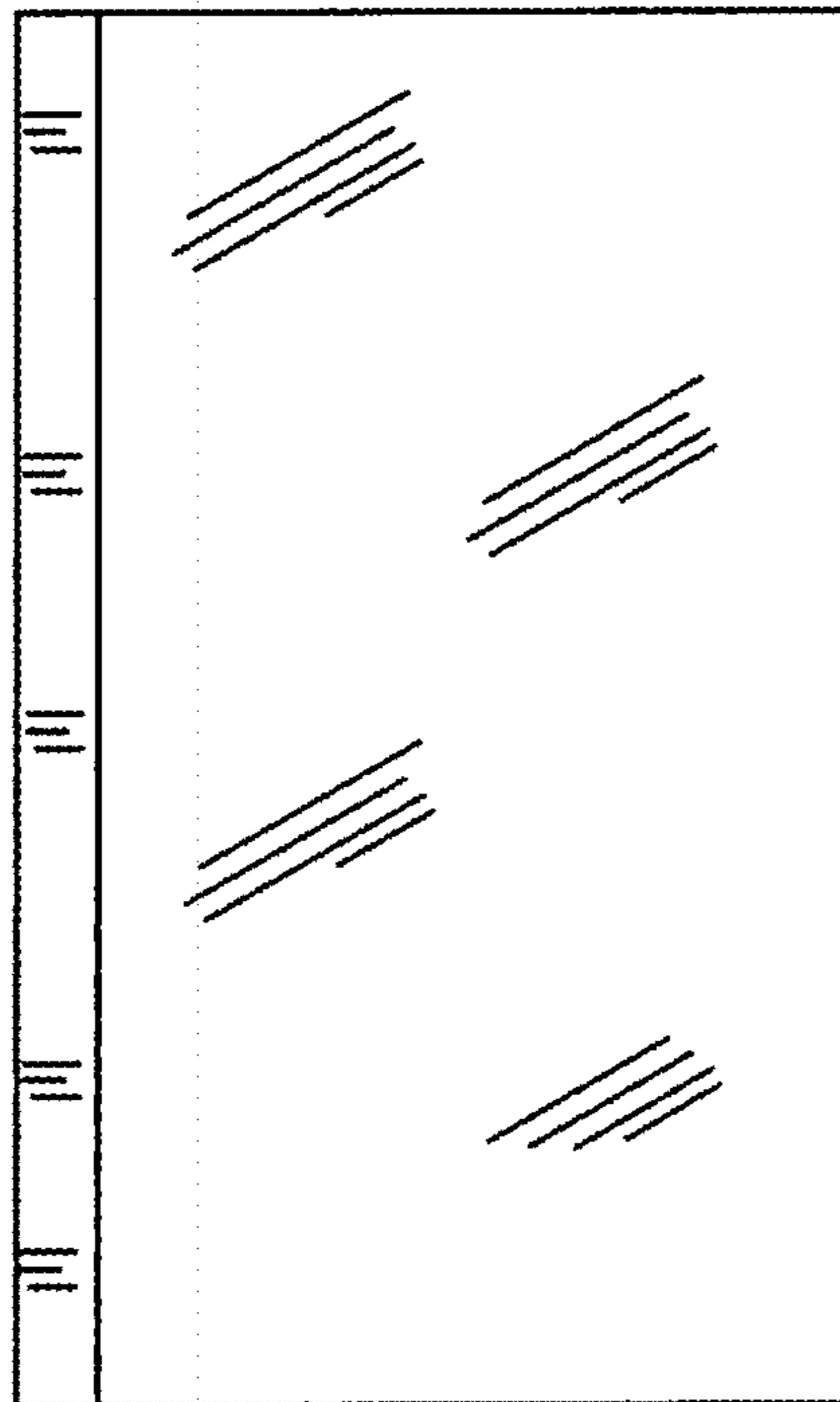


FIG. 8

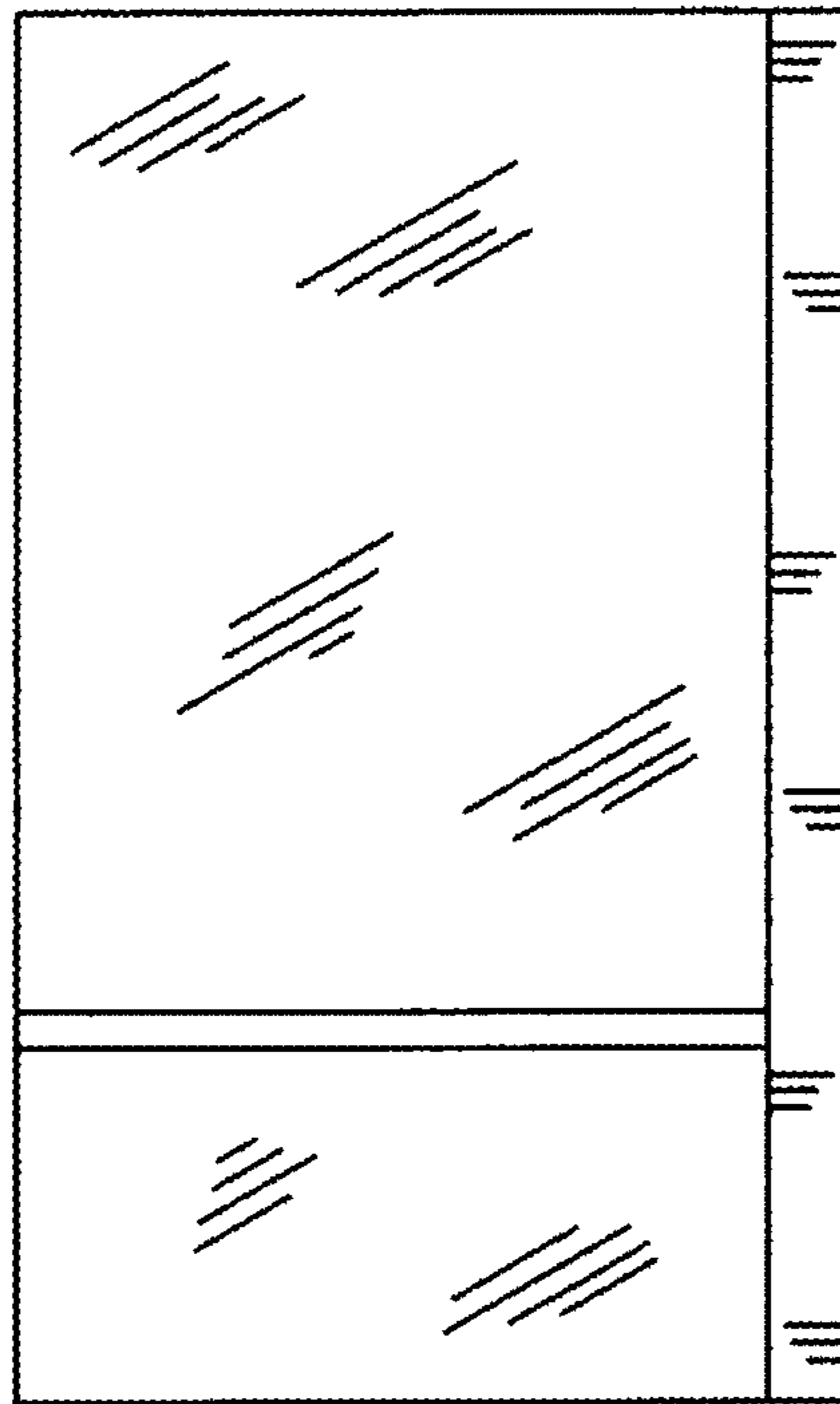


FIG. 9



FIG. 10



FIG. 11