



US00D872896S

(12) **United States Design Patent** (10) **Patent No.:** **US D872,896 S**
Hay, III (45) **Date of Patent:** **** Jan. 14, 2020**

(54) **LINEAL FOR PANEL ATTACHMENT OVER A WINDOW**

(71) Applicant: **Hawkes Design and Consulting, LLC**, Charleston, SC (US)

(72) Inventor: **Henry M. Hay, III**, Charleston, SC (US)

(73) Assignee: **Hawkes Design and Consulting, LLC**, Charleston, SC (US)

(**) Term: **15 Years**

(21) Appl. No.: **29/665,655**

(22) Filed: **Oct. 5, 2018**

D365,888 S *	1/1996	Ishmael	D25/124
D375,172 S *	10/1996	DiGiorgio	D25/122
D378,138 S *	2/1997	Dallaire	D25/124
D378,855 S *	4/1997	Dallaire	D25/124
D395,525 S *	6/1998	Rinot	D25/122
D410,290 S *	5/1999	Gabriele	D25/122
D420,274 S *	2/2000	Lappin	D8/354
D426,649 S *	6/2000	Siudzinski	D25/124
D429,532 S *	8/2000	Siudzinski	D25/124
D473,662 S *	4/2003	Shaw	D25/119
D473,955 S *	4/2003	Gregori	D25/122
D474,286 S *	5/2003	Gregori	D25/122
D478,679 S *	8/2003	Franson	D25/124
D493,894 S *	8/2004	Wickland	D25/124
6,988,345 B1 *	1/2006	Pelfrey	E06B 1/62 52/519
D535,407 S *	1/2007	Westphal	D25/124
D537,173 S *	2/2007	Westphal	D25/124

(Continued)

Related U.S. Application Data

(62) Division of application No. 35/001,317, filed on Jan. 20, 2017 (U.S. filing date under 35 U.S.C. 384), and having an international filing date of Jan. 20, 2017.

(51) **LOC (12) Cl.** **25-01**

(52) **U.S. Cl.**
USPC **D25/124; D25/199**

(58) **Field of Classification Search**
USPC D25/119-126, 164, 199; D8/349, 354
CPC ... E06B 1/00; E06B 1/006; E06B 1/04; E06B 1/12; E06B 1/14; E06B 1/18; E06B 1/26; E06B 1/28; E06B 1/30; E06B 1/34; E06B 1/36; E06B 1/56; E06B 1/60; E06B 3/30; E04C 3/00; E04C 3/02; E04C 3/04; E04C 3/30; E04C 2003/023; E04C 2003/026; E04F 13/07; E04F 13/072
See application file for complete search history.

(56) **References Cited**

U.S. PATENT DOCUMENTS

5,177,924 A *	1/1993	Kakuk	E04C 3/36 52/606
D364,690 S *	11/1995	Goss, Jr.	D25/124

FOREIGN PATENT DOCUMENTS

WO DM095397 4/2017

Primary Examiner — L. Martinez

(74) *Attorney, Agent, or Firm* — Nexsen Pruet, LLC; Michael A. Mann

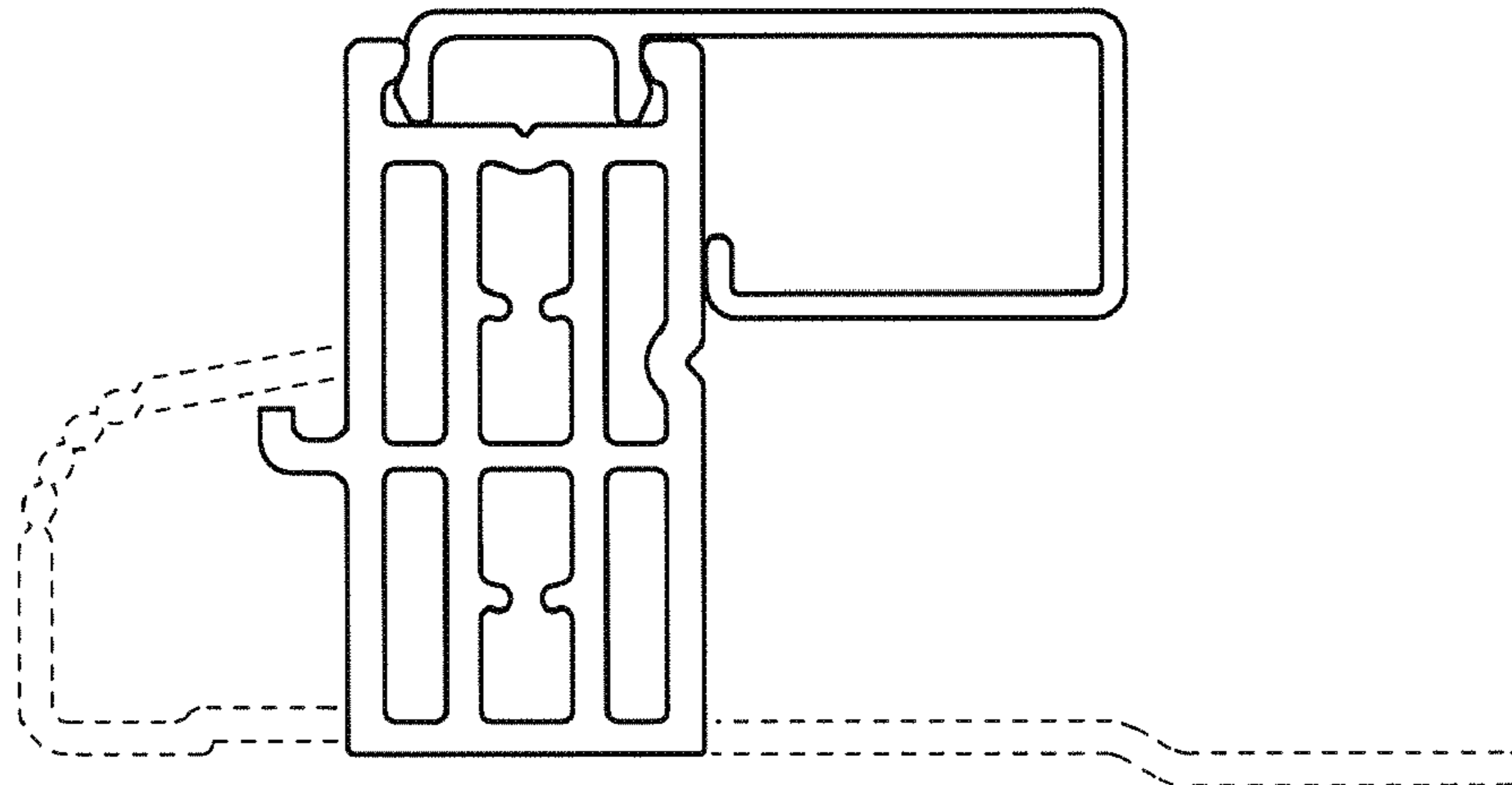
(57) **CLAIM**

The ornamental design for a lineal for panel attachment over a window, as shown and described.

DESCRIPTION

FIG. 1 is an end view of a lineal for panel attachment over a window, showing my new design in a configuration of use; and,
FIG. 2 is an upper left side perspective view thereof.
The broken lines in the drawings illustrate environmental subject matter only and form no part of the claimed design.

1 Claim, 1 Drawing Sheet



(56)

References Cited

U.S. PATENT DOCUMENTS

D554,911	S *	11/2007	Chang	D25/122
D564,678	S *	3/2008	Simko	D25/122
D566,858	S *	4/2008	Fannan	D25/124
D572,841	S *	7/2008	Waters	D25/124
D573,268	S *	7/2008	Lundsgaard	D25/119
D584,427	S *	1/2009	Chaney	D25/124
D619,447	S *	7/2010	Liu	D25/124
D631,324	S *	1/2011	Azuma	D8/354
D664,025	S *	7/2012	Horn	D8/354
D672,888	S *	12/2012	Veryser	D25/124
D684,705	S *	6/2013	Curtas	D25/119
8,863,452	B1	10/2014	Hay, III et al.	
D724,761	S *	3/2015	Wickland	D25/124
D724,767	S *	3/2015	Cloutier	D25/125
D731,678	S *	6/2015	Geldart	D25/126
D770,060	S *	10/2016	Alonso	D25/113
2019/0128048	A1 *	5/2019	MacDonald	E06B 1/52
2019/0211620	A1 *	7/2019	Hay, III	E06B 9/0692

* cited by examiner

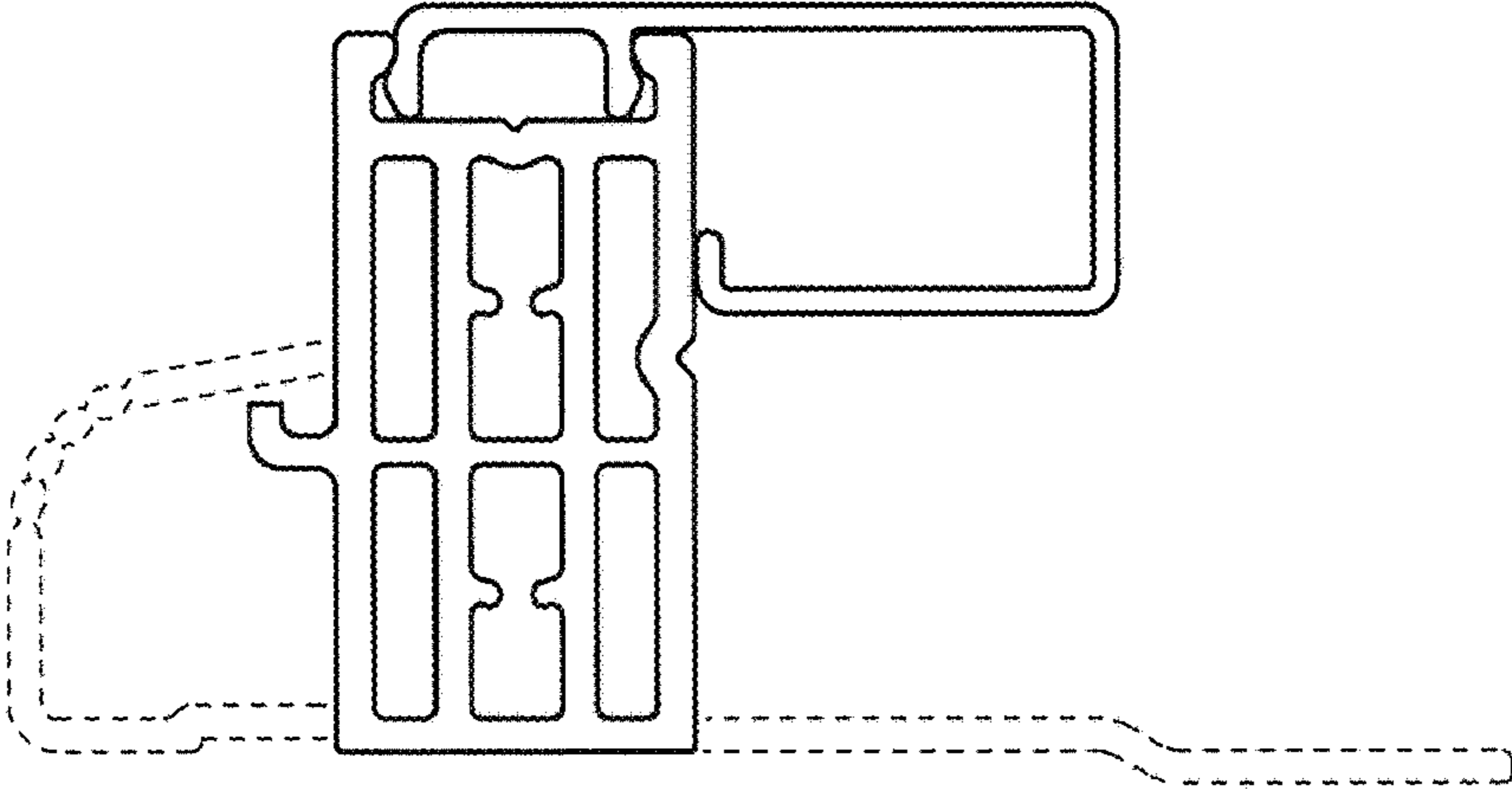


FIG.1

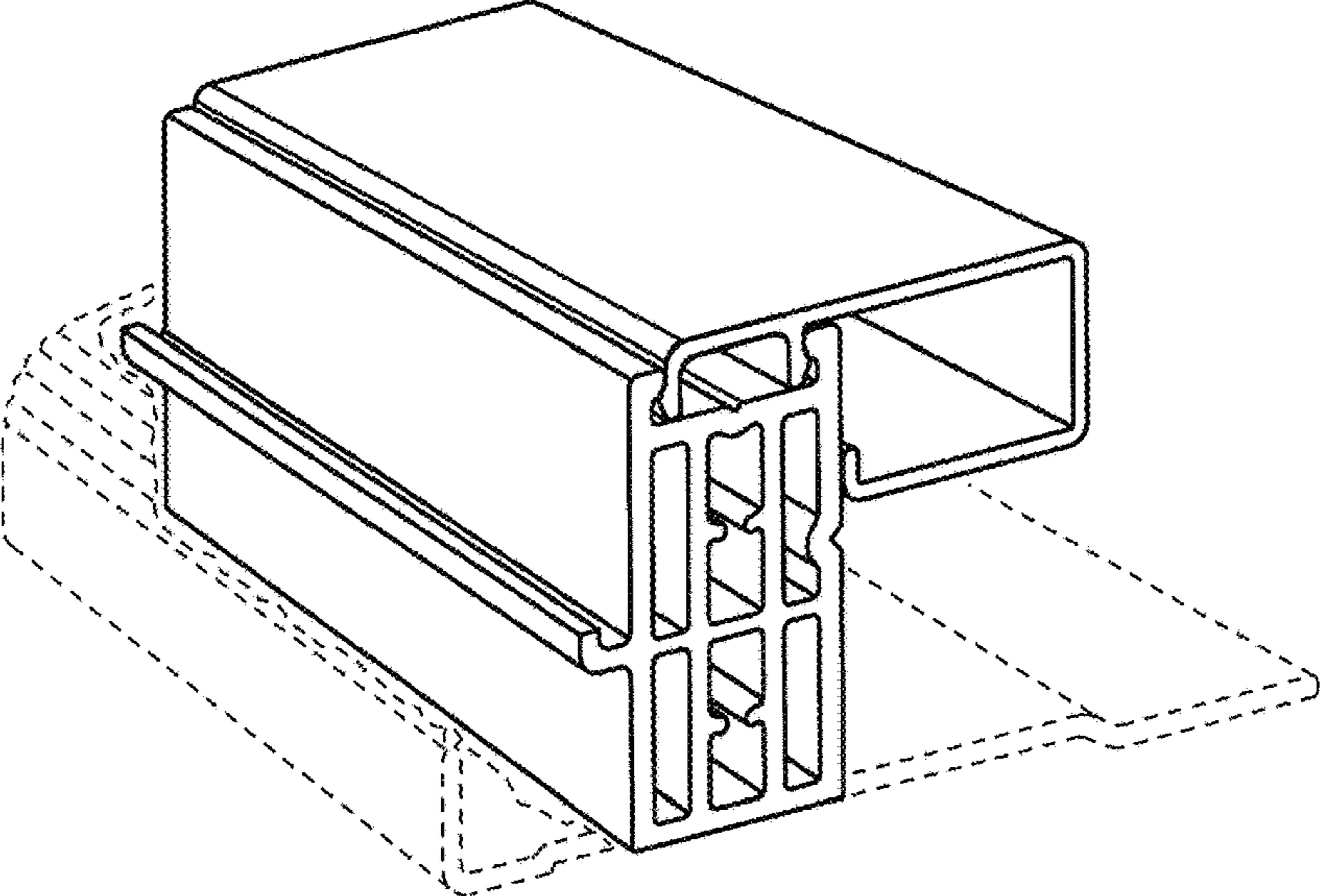


FIG.2