



US00D872893S

(12) **United States Design Patent**
Deng

(10) **Patent No.:** **US D872,893 S**

(45) **Date of Patent:** **** Jan. 14, 2020**

(54) **FRAMING EXTRUSION**

(71) Applicant: **Xiuying Deng**, Foshan (CN)

(72) Inventor: **Xiuying Deng**, Foshan (CN)

(73) Assignee: **FOSHAN WEI HUI PLASTIC PROFILE CO., LTD**, Foshan, Guangdong (CN)

(**) Term: **15 Years**

(21) Appl. No.: **29/653,917**

(22) Filed: **Jun. 19, 2018**

(51) **LOC (12) Cl.** **25-01**

(52) **U.S. Cl.**
USPC **D25/124**

(58) **Field of Classification Search**
USPC D25/61, 119-125, 164, 199
CPC ... E06B 1/00; E06B 1/006; E06B 1/02; E06B 1/04; E06B 1/12; E06B 1/14; E06B 1/16; E06B 1/26; E06B 1/28; E06B 1/36; E06B 1/366; E06B 1/40; E06B 1/52; E06B 1/524; E06B 5/00; E06B 5/003; E06B 5/20; E06B 5/205
See application file for complete search history.

(56) **References Cited**

U.S. PATENT DOCUMENTS

D470,251 S * 2/2003 Cole D25/125
D534,661 S * 1/2007 Fannan D25/124

D546,979 S * 7/2007 Ye D25/124
D576,748 S * 9/2008 Schrader D25/125
D608,467 S * 1/2010 Franson D25/124
D693,024 S * 11/2013 Fannan D25/124
D720,084 S * 12/2014 Wickland D25/124
D720,085 S * 12/2014 Wickland D25/124
D733,331 S * 6/2015 DeCicio D25/124
2003/0226321 A1 * 12/2003 Engebretson E06B 1/345
52/204.54

* cited by examiner

Primary Examiner — L. Martinez

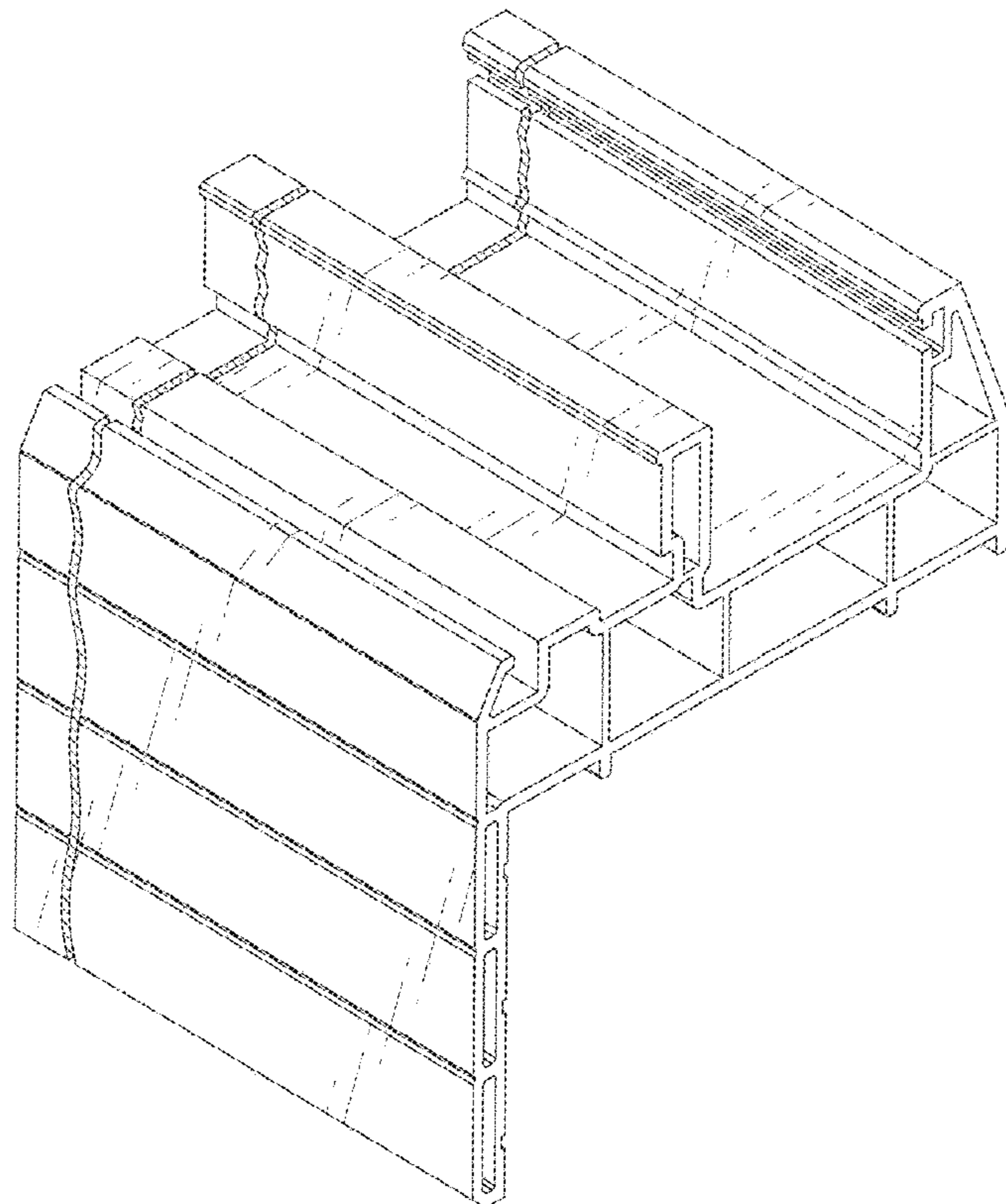
(57) **CLAIM**

The ornamental design for a framing extrusion, as shown and described.

DESCRIPTION

FIG. 1 is a perspective view of a framing extrusion showing my new design; and,
FIG. 2 is a front elevation view thereof.
The framing extrusion is shown with a symbolic break in its length. The appearance of any portion of the framing extrusion between the break lines forms no part of the claimed design.

1 Claim, 2 Drawing Sheets



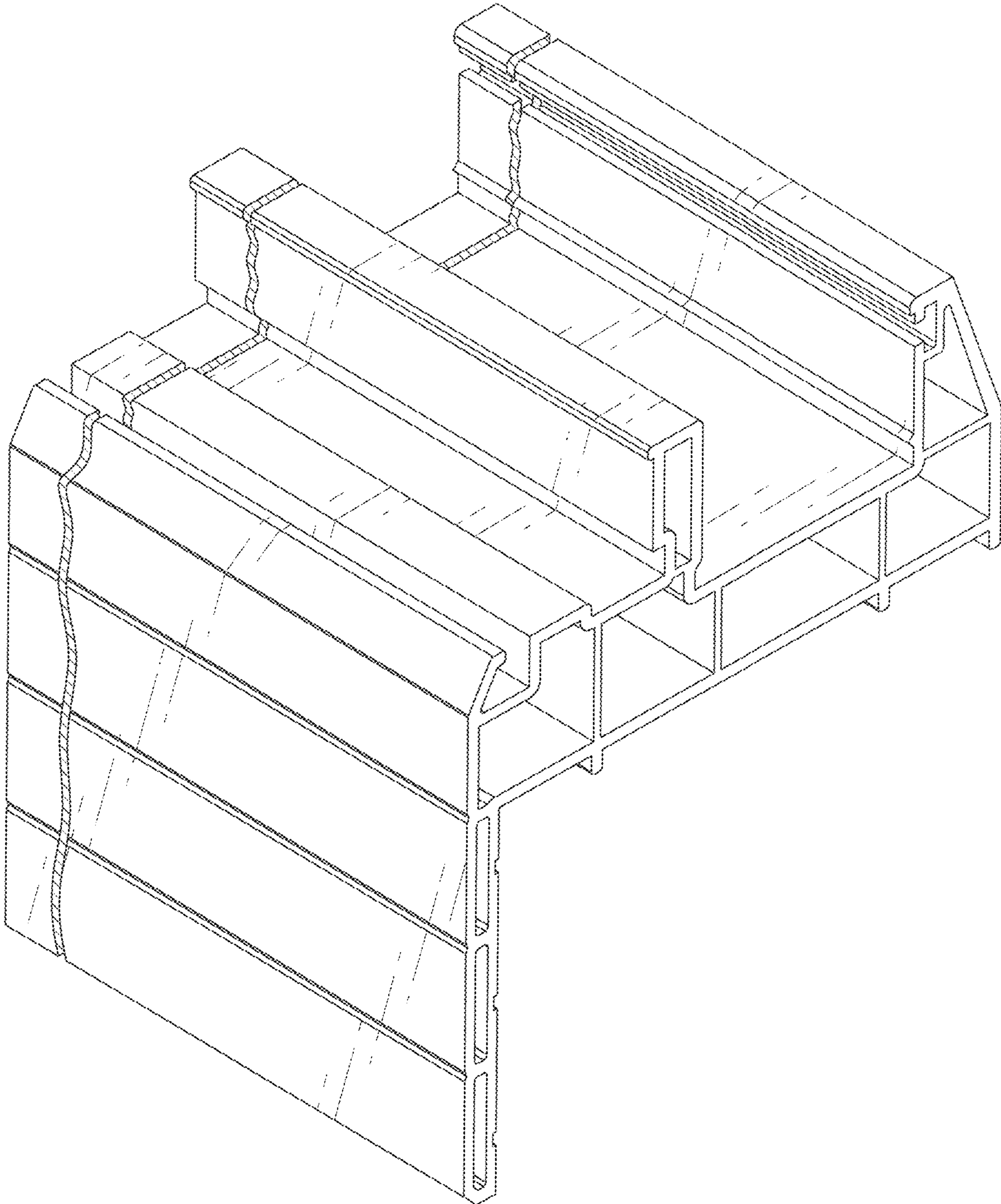


Fig.1

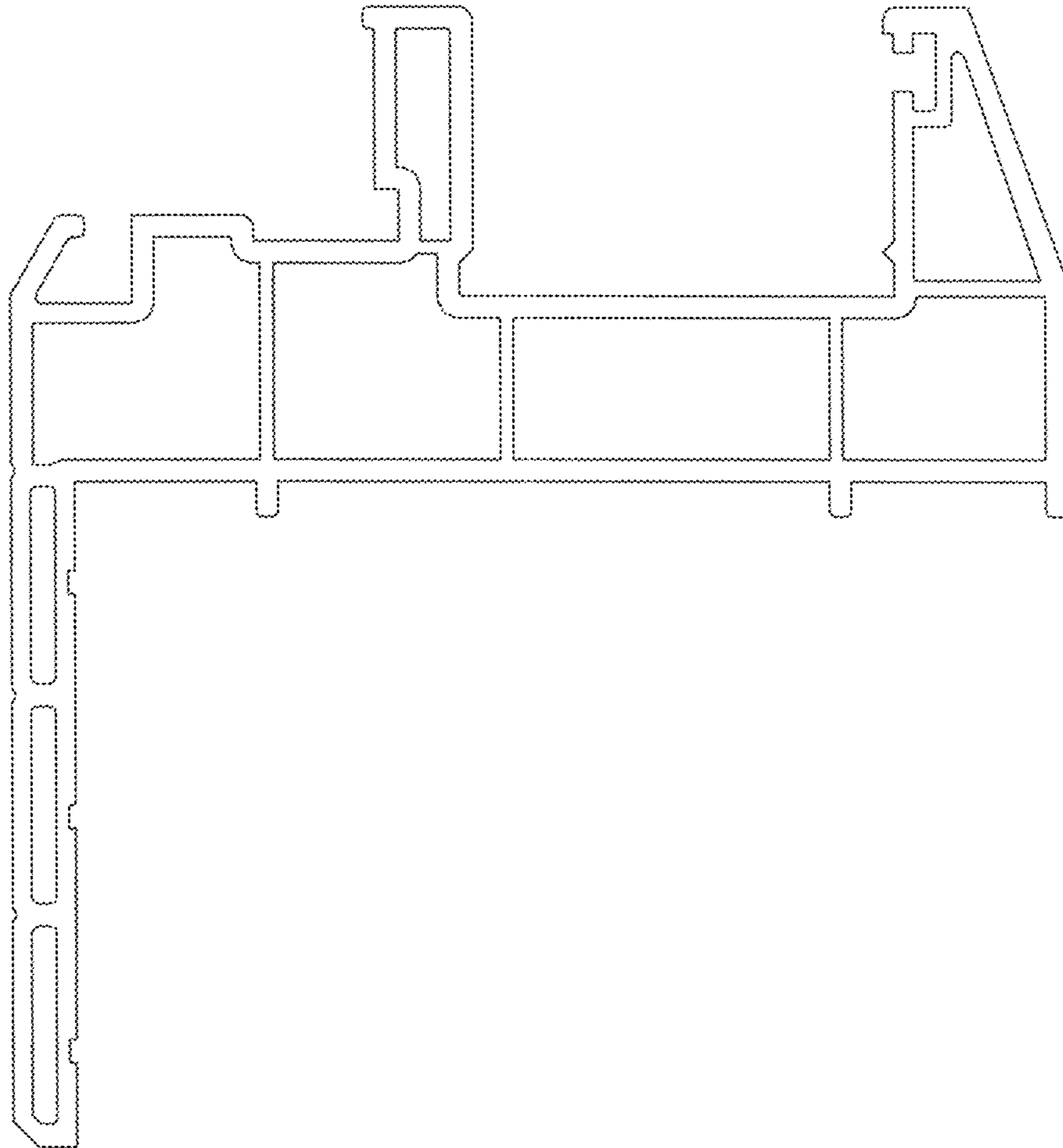


Fig.2