



US00D872892S

(12) **United States Design Patent** (10) **Patent No.:** **US D872,892 S**
Hawthorne et al. (45) **Date of Patent:** **** Jan. 14, 2020**

(54) **SCREEN BAR**

(71) Applicants: **Kyle S. Hawthorne**, Waldo, ME (US);
John C. Magri, Jr., Lincolnville, ME
 (US); **William M. Gray**, Stockton
 Springs, ME (US); **Ralph J.**
McDermott, Jr., Lincolnville, ME
 (US); **Ryan H. Hamden**, Belfast, ME
 (US)

(72) Inventors: **Kyle S. Hawthorne**, Waldo, ME (US);
John C. Magri, Jr., Lincolnville, ME
 (US); **William M. Gray**, Stockton
 Springs, ME (US); **Ralph J.**
McDermott, Jr., Lincolnville, ME
 (US); **Ryan H. Hamden**, Belfast, ME
 (US)

(73) Assignee: **Mathews Brothers Company**, Belfast,
 ME (US)

(**) Term: **15 Years**

(21) Appl. No.: **29/647,781**

(22) Filed: **May 15, 2018**

(51) **LOC (12) Cl.** **25-01**

(52) **U.S. Cl.**
 USPC **D25/124**

(58) **Field of Classification Search**
 USPC D25/60, 61, 119-125, 164, 199
 CPC ... E06B 1/00; E06B 1/006; E06B 1/02; E06B
 1/04; E06B 1/12; E06B 1/14; E06B 1/16;
 E06B 1/26; E06B 1/28; E06B 1/36; E06B
 1/366; E06B 1/40; E06B 1/52; E06B
 1/524; E06B 5/00; E06B 5/20; E06B
 5/205; E06B 9/00; E06B 9/24

See application file for complete search history.

(56) **References Cited**

U.S. PATENT DOCUMENTS

D307,484 S *	4/1990	Westphal	D25/124
D331,290 S *	11/1992	Rogers	D25/124
D366,320 S *	1/1996	Hosseini	D25/124
D572,378 S *	7/2008	Morton	D25/124
D590,959 S *	4/2009	Franson	D25/124
D593,686 S *	6/2009	Campbell	D25/124
D597,220 S *	7/2009	Campbell	D25/124
D740,446 S *	10/2015	Chaney	D25/124
D767,790 S *	9/2016	Chaney	D25/124
D769,465 S *	10/2016	Fannan	D25/124
D769,466 S *	10/2016	Fannan	D25/124

* cited by examiner

Primary Examiner — L. Martinez

(74) *Attorney, Agent, or Firm* — Anthony D. Pellegrini

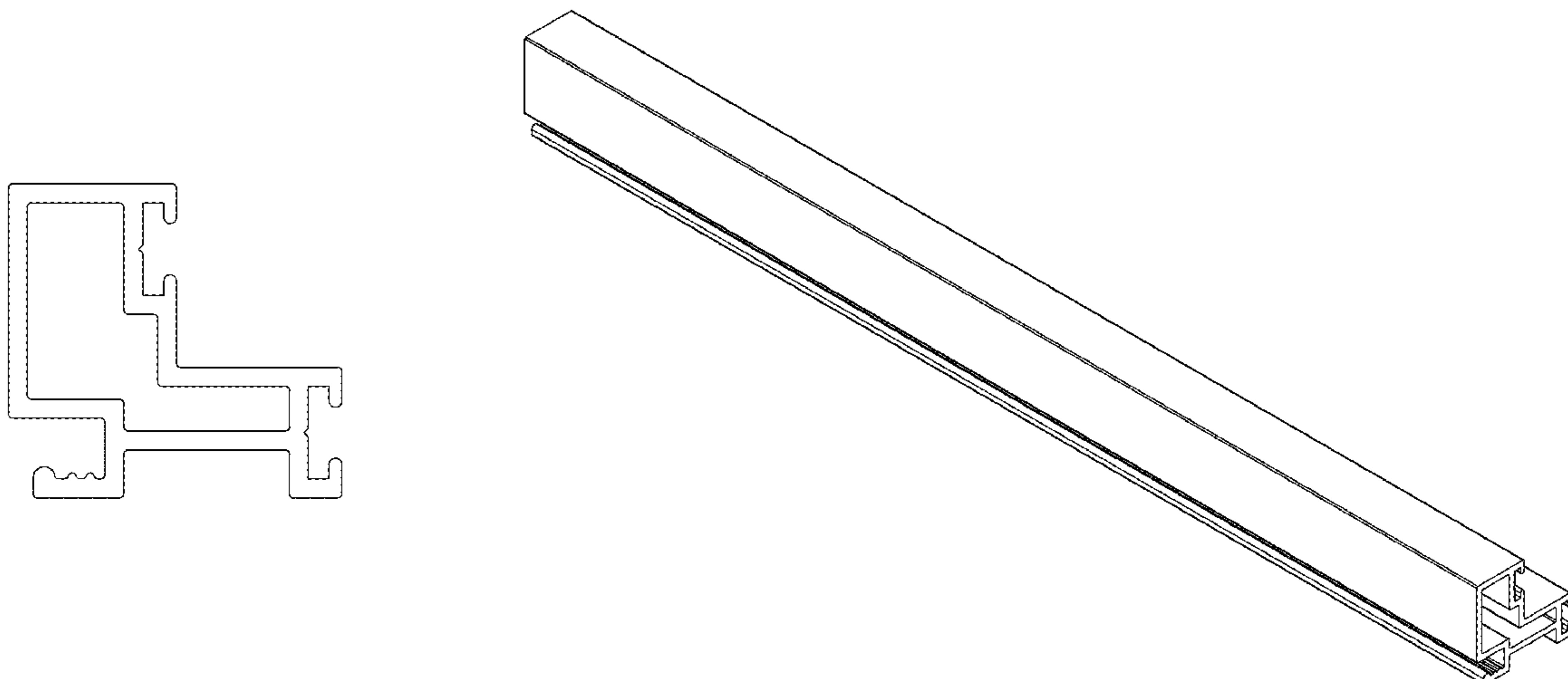
(57) **CLAIM**

The ornamental design for a screen bar, as shown and described.

DESCRIPTION

FIG. 1 is a left plan view of a screen bar showing our new design.
 FIG. 2 is a top, rear perspective view thereof.
 FIG. 3 is a top, front perspective view thereof.
 FIG. 4 is a bottom, rear perspective view thereof.
 FIG. 5 is a bottom, front perspective view thereof.
 FIG. 6 is a top plan view thereof.
 FIG. 7 is a rear elevation view thereof.
 FIG. 8 is a front elevation view thereof; and,
 FIG. 9 is a bottom plan view thereof.

1 Claim, 9 Drawing Sheets



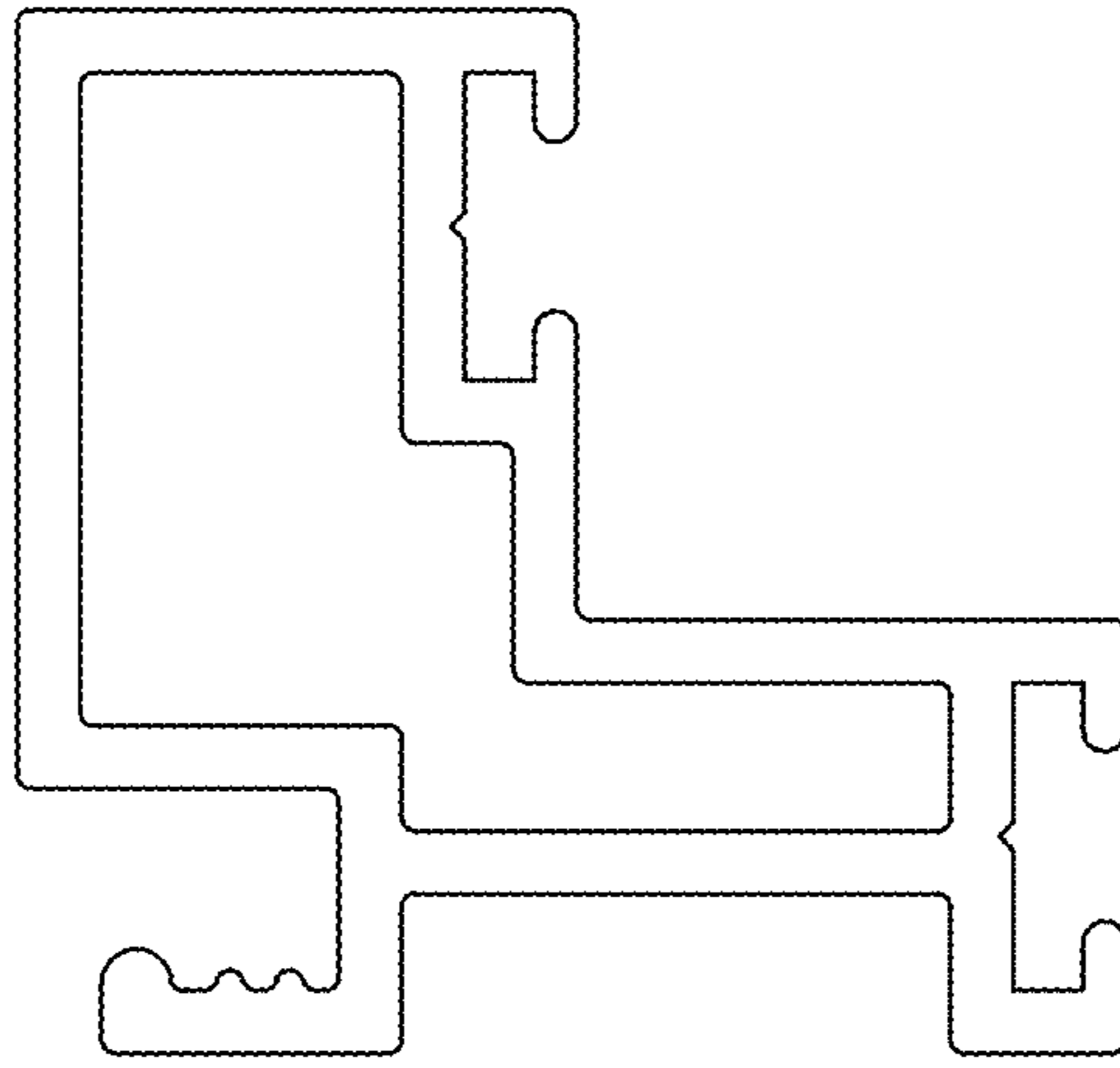


Fig. 1

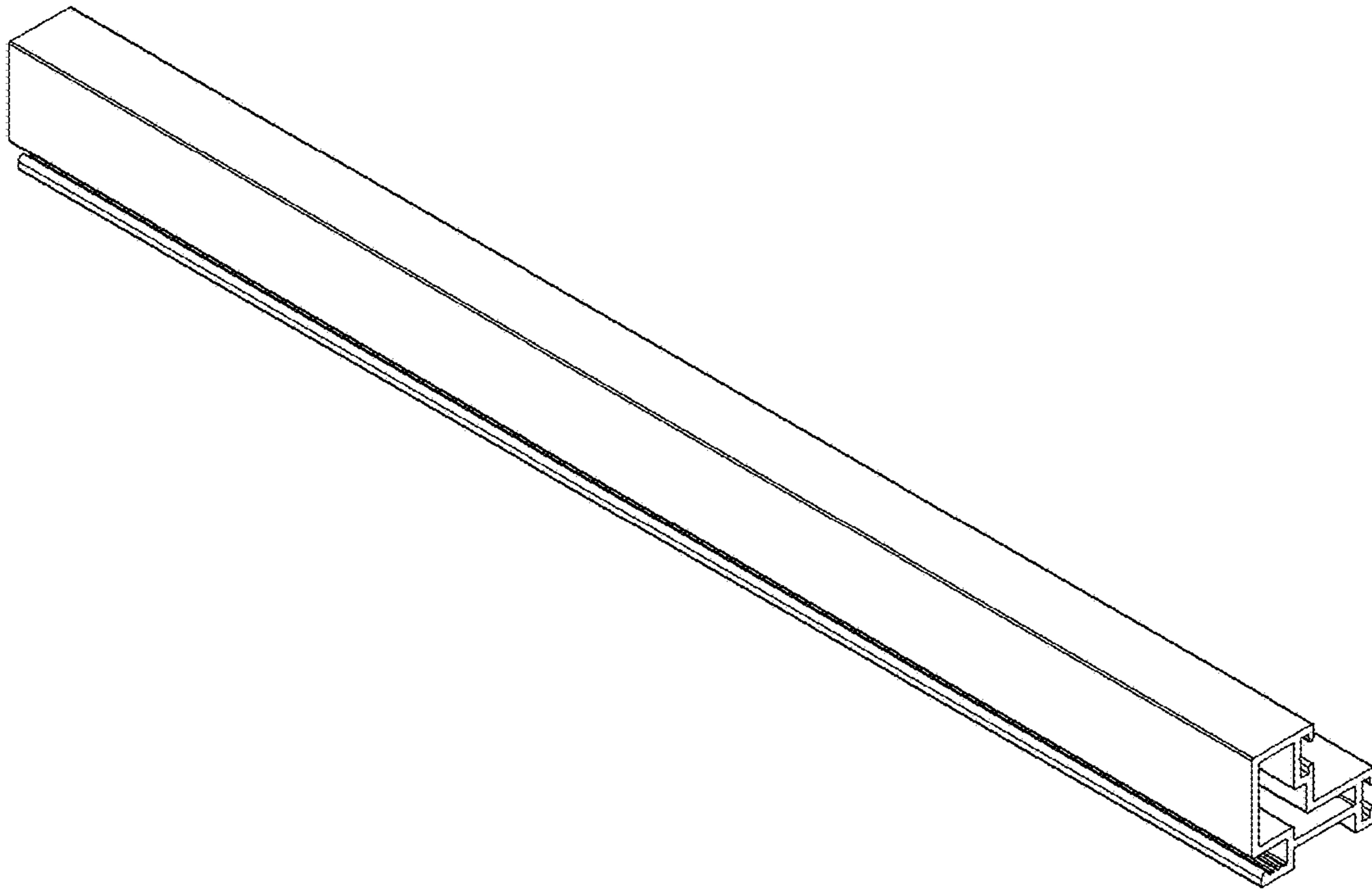


Fig. 2

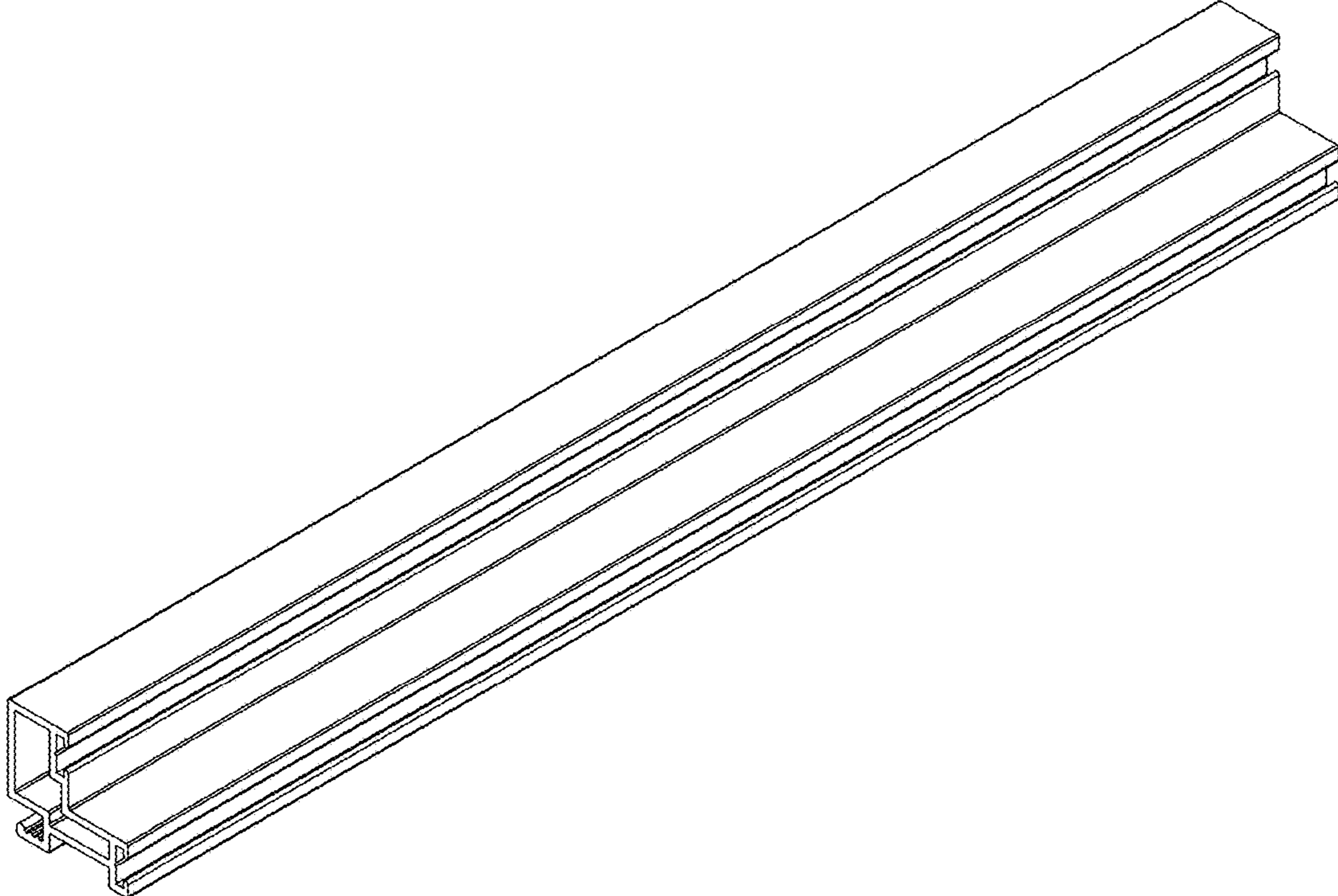


Fig. 3

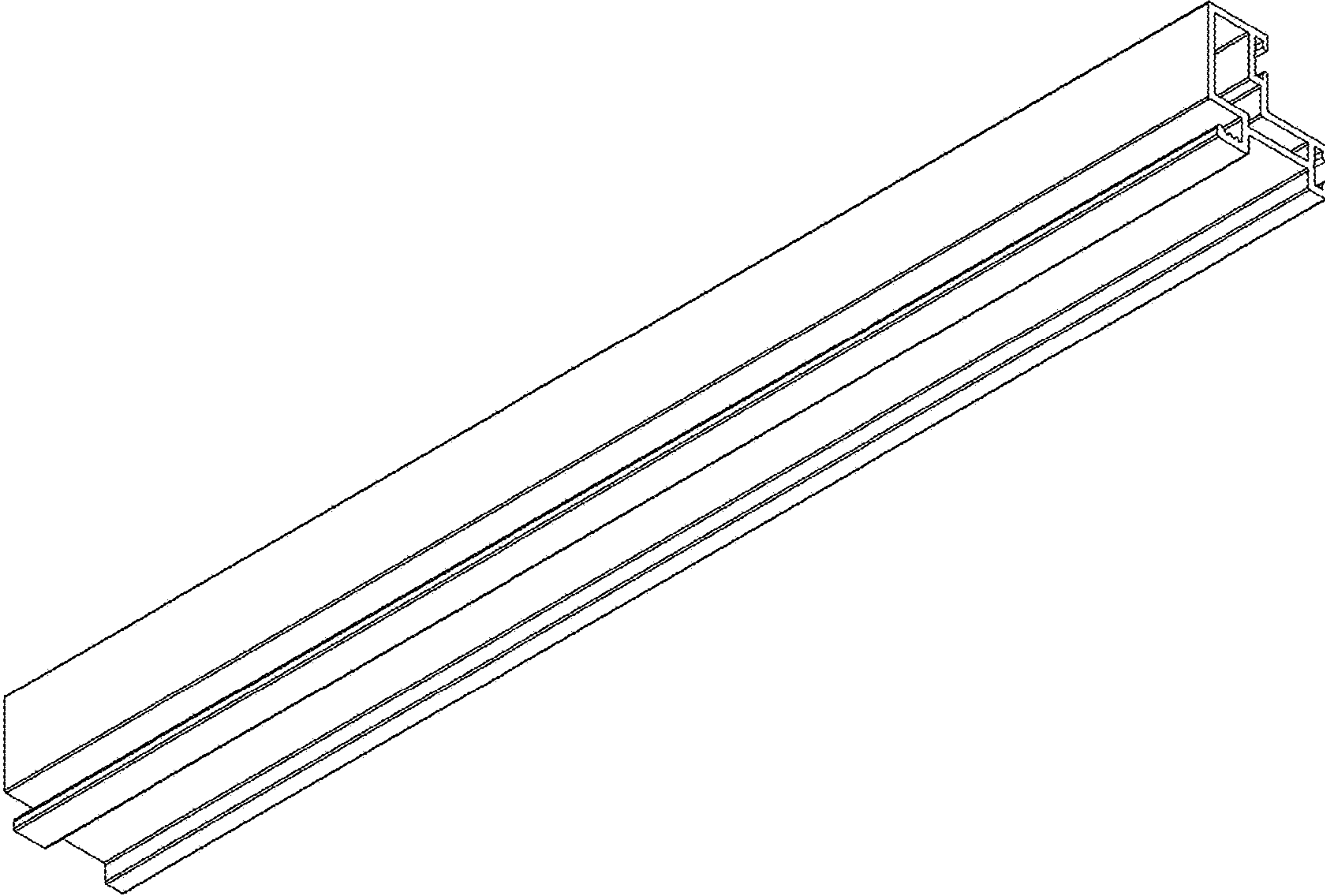


Fig. 4

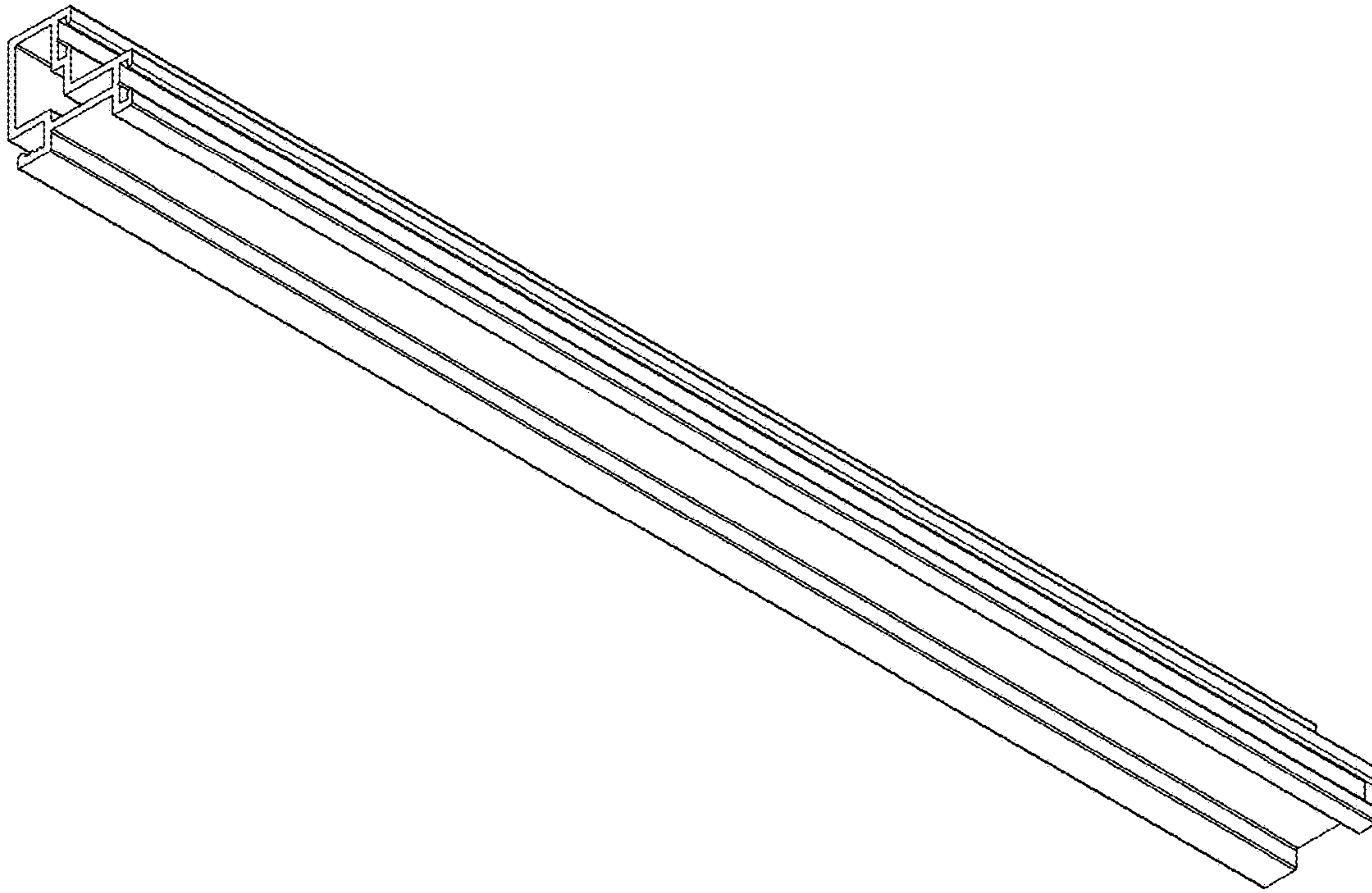


Fig. 5

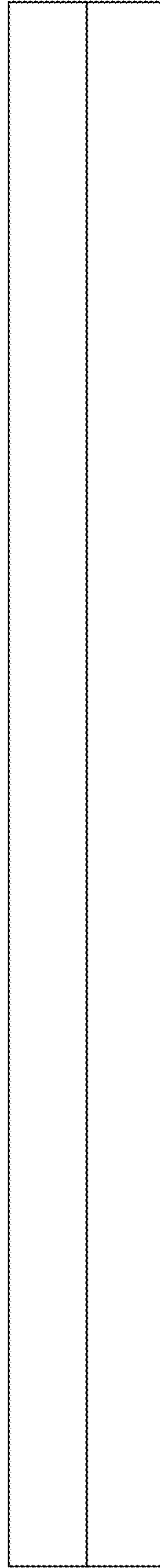


Fig. 6

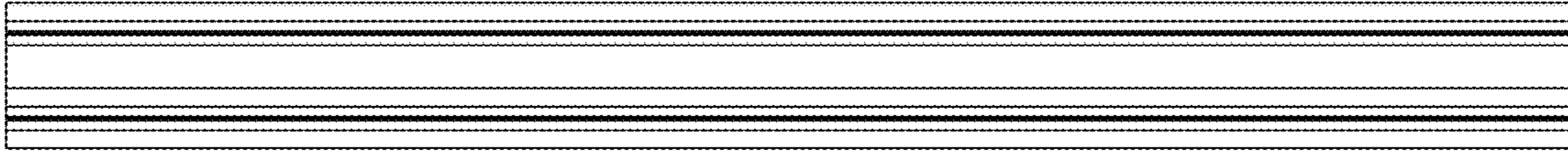


Fig. 7

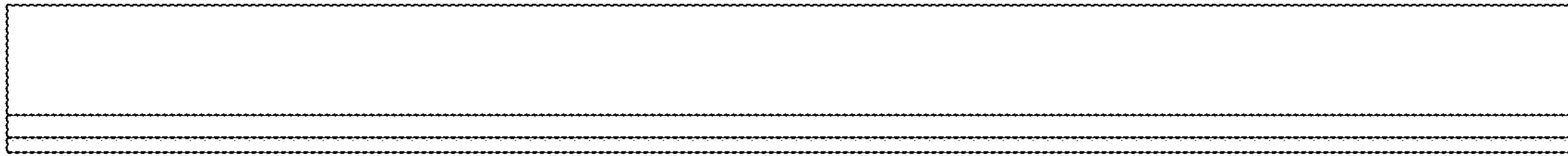


Fig. 8

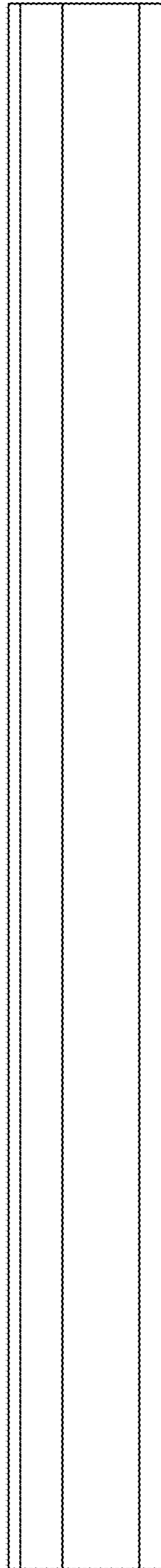


Fig. 9