

US00D872890S

(12) **United States Design Patent**  
**Hawthorne et al.**

(10) **Patent No.:** **US D872,890 S**  
(45) **Date of Patent:** **\*\* Jan. 14, 2020**

(54) **VERTICAL SLIDER JAMB**

(71) Applicants: **Kyle S. Hawthorne**, Waldo, ME (US);  
**John C. Magri, Jr.**, Lincolnville, ME  
(US); **William M. Gray**, Stockton  
Springs, ME (US); **Ralph J.**  
**McDermott, Jr.**, Lincolnville, ME  
(US); **Ryan H. Harnden**, Belfast, ME  
(US)

(72) Inventors: **Kyle S. Hawthorne**, Waldo, ME (US);  
**John C. Magri, Jr.**, Lincolnville, ME  
(US); **William M. Gray**, Stockton  
Springs, ME (US); **Ralph J.**  
**McDermott, Jr.**, Lincolnville, ME  
(US); **Ryan H. Harnden**, Belfast, ME  
(US)

(73) Assignee: **Mathews Brothers Company**, Belfast,  
ME (US)

(\*\*) Term: **15 Years**

(21) Appl. No.: **29/647,775**

(22) Filed: **May 15, 2018**

(51) **LOC (12) Cl.** ..... **25-01**

(52) **U.S. Cl.**

USPC ..... **D25/124**

(58) **Field of Classification Search**

USPC ..... D25/60, 61, 119-125, 164, 199

CPC ... E06B 1/00; E06B 1/006; E06B 1/02; E06B

1/04; E06B 1/12; E06B 1/14; E06B 1/16;

E06B 1/26; E06B 1/28; E06B 1/36; E06B

1/366; E06B 1/40; E06B 1/52; E06B

1/524; E06B 5/00; E06B 5/20; E06B

5/205

See application file for complete search history.

(56) **References Cited**

U.S. PATENT DOCUMENTS

D357,074 S \* 4/1995 Cole ..... D25/124

D358,663 S \* 5/1995 Hosseini ..... D25/124

D360,266 S *	7/1995	DiGiorgio	.....	D25/124
D360,267 S *	7/1995	DiGiorgio	.....	D25/124
D362,731 S *	9/1995	Schrader	.....	D25/124
D379,529 S *	5/1997	DiGiorgio	.....	D25/124
D384,170 S *	9/1997	Franson	.....	D25/124
D384,424 S *	9/1997	Schrader	.....	D25/124
D394,510 S *	5/1998	Dallaire	.....	D25/124
D442,294 S *	5/2001	Habeck	.....	D25/124
D501,936 S *	2/2005	Kim	.....	D25/124
D546,977 S *	7/2007	Ye	.....	D25/124
D591,433 S *	4/2009	Campbell	.....	D25/124
D602,174 S *	10/2009	Franson	.....	D25/124
D608,910 S *	1/2010	Stephens	.....	D25/60
D619,729 S *	7/2010	Bernier	.....	D25/124
D640,395 S *	6/2011	Wickland	.....	D25/124
D713,558 S *	9/2014	Stankay	.....	D25/124
D714,468 S *	9/2014	Fannan	.....	D25/124
D720,084 S *	12/2014	Wickland	.....	D25/124
D775,740 S *	1/2017	Wickland	.....	D25/124

(Continued)

*Primary Examiner* — L. Martinez

(74) *Attorney, Agent, or Firm* — Anthony D. Pellegrini

(57) **CLAIM**

The ornamental design for a vertical slider jamb, as shown and described.

**DESCRIPTION**

FIG. 1 is a left plan view of a vertical slider jamb showing our new design.

FIG. 2 is a top, rear perspective view thereof.

FIG. 3 is a top, front perspective view thereof.

FIG. 4 is a bottom, rear perspective view thereof.

FIG. 5 is a bottom, front perspective view thereof.

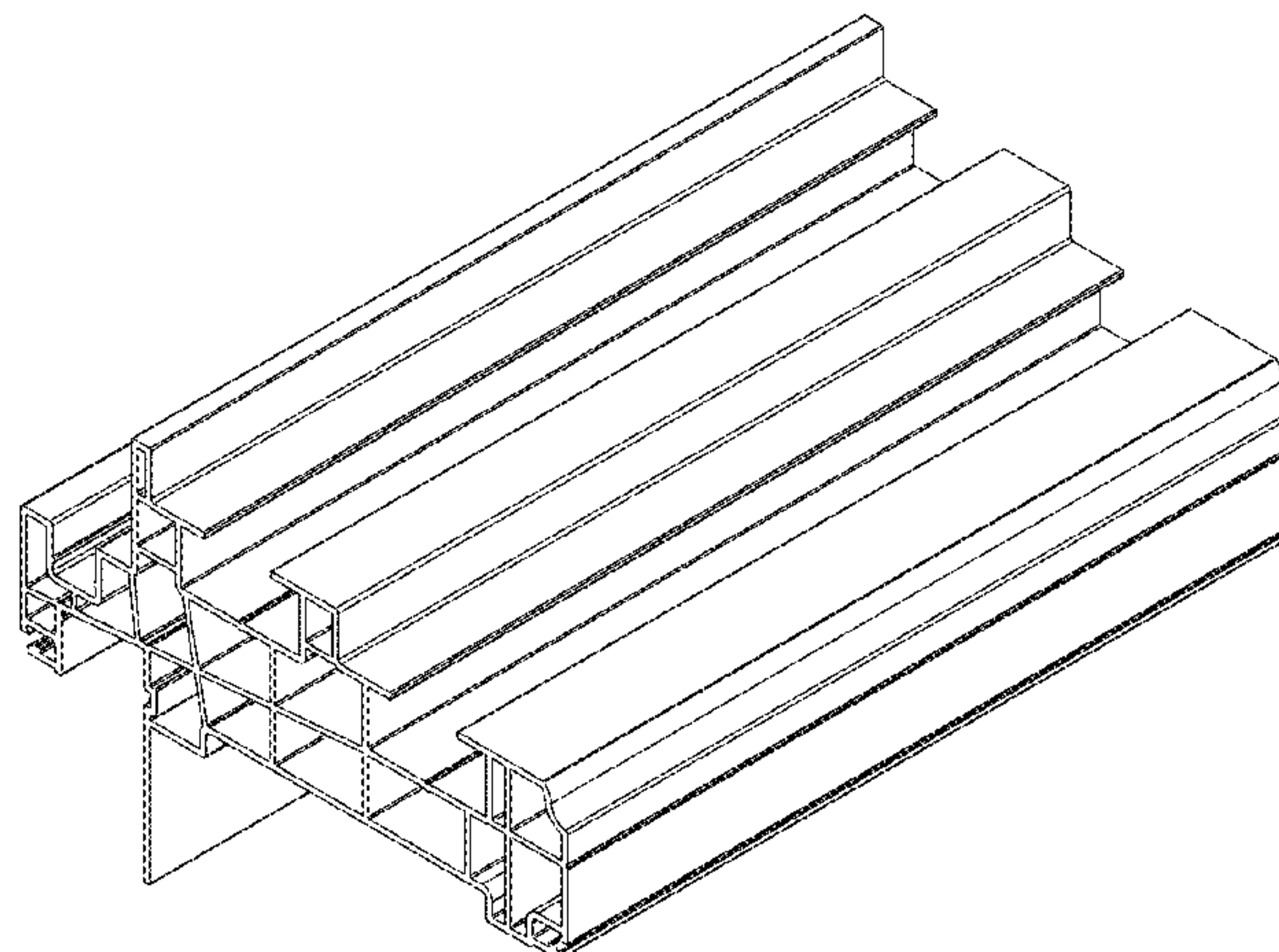
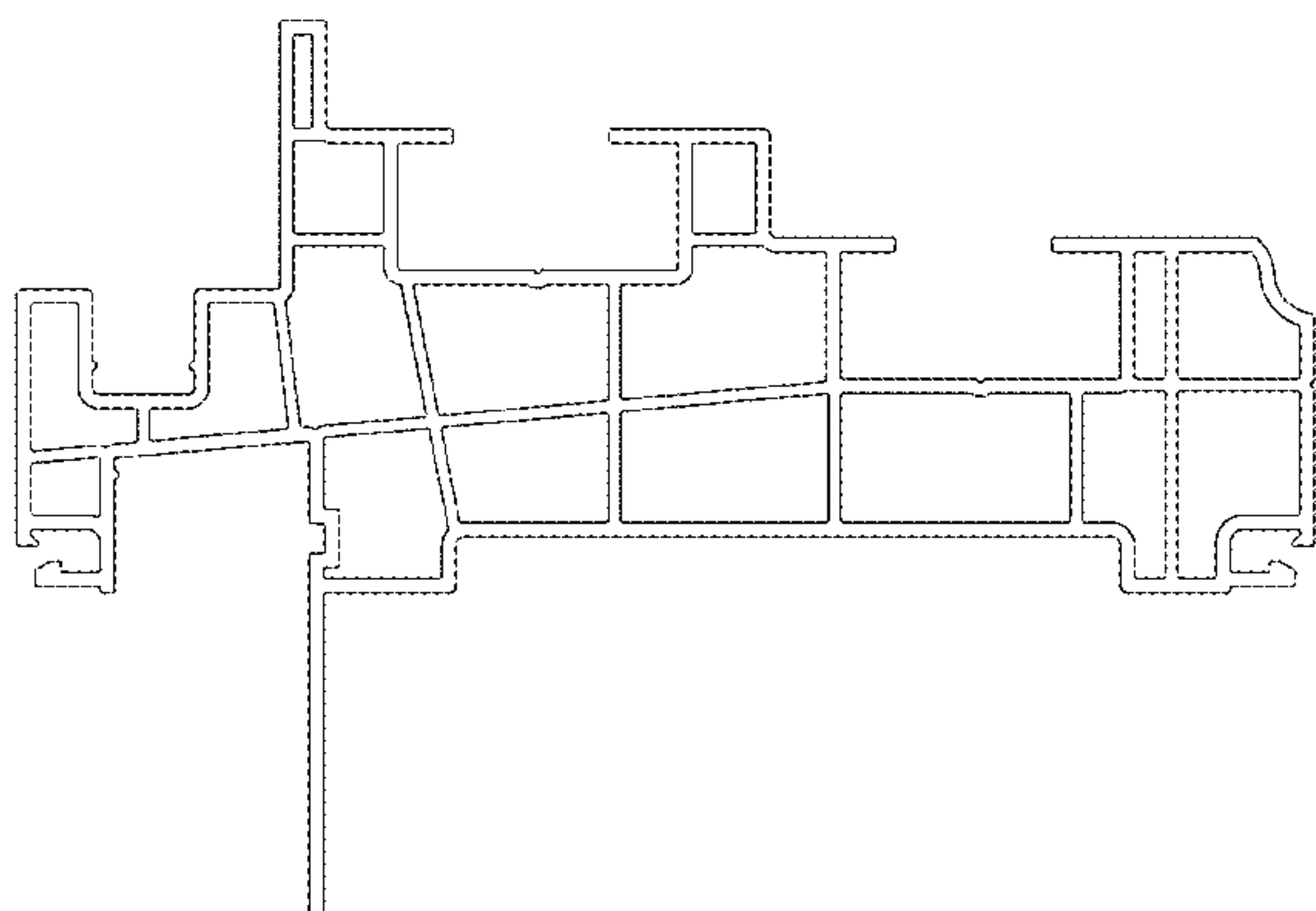
FIG. 6 is a top plan view thereof.

FIG. 7 is a rear elevation view thereof.

FIG. 8 is a front elevation view thereof; and,

FIG. 9 is a bottom plan view thereof.

**1 Claim, 9 Drawing Sheets**



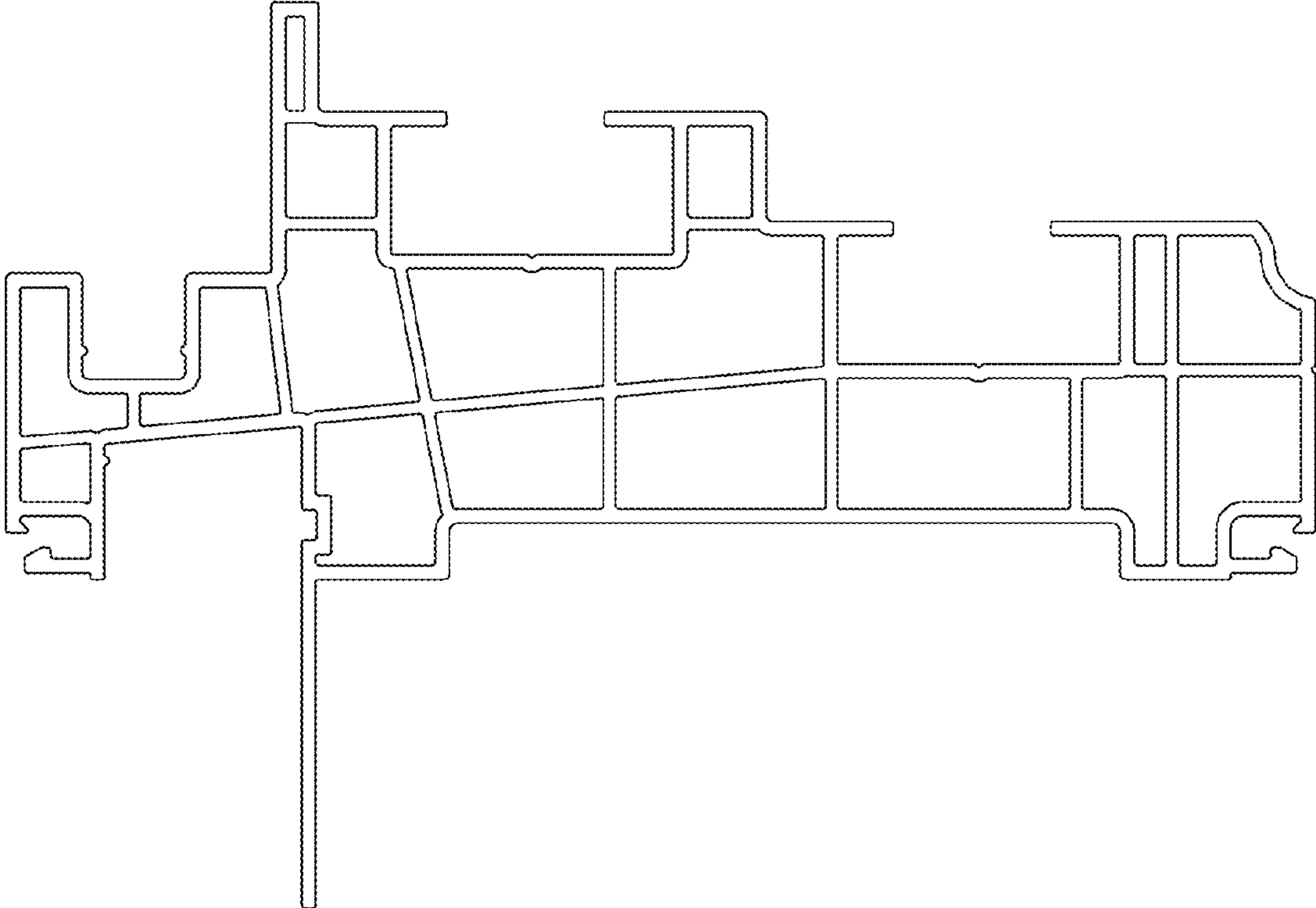
(56)

**References Cited**

U.S. PATENT DOCUMENTS

D788,947 S \* 6/2017 Gilkey ..... D25/125  
D802,801 S \* 11/2017 Fannan ..... D25/124

\* cited by examiner



**Fig. 1**

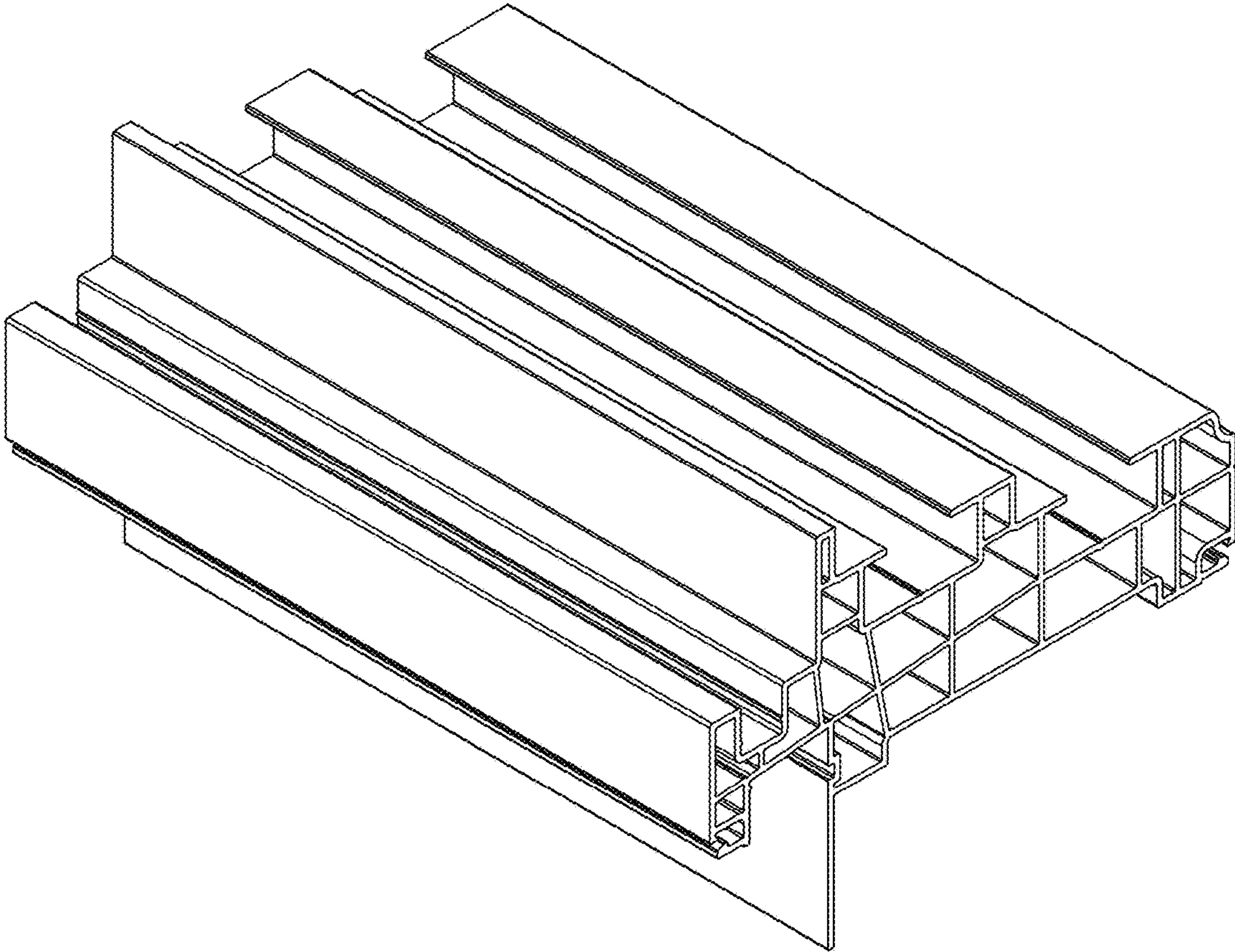


Fig. 2



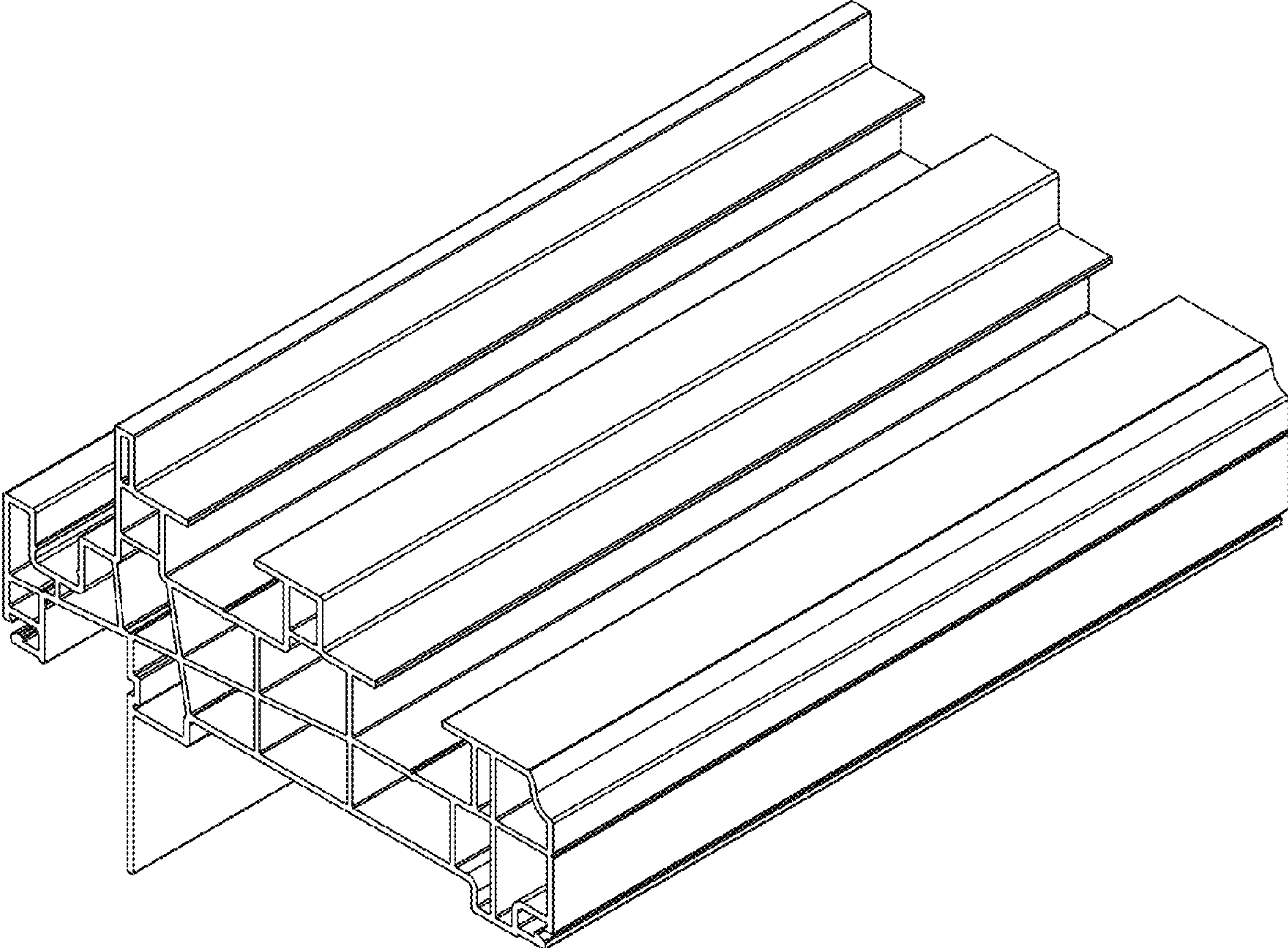


Fig. 3

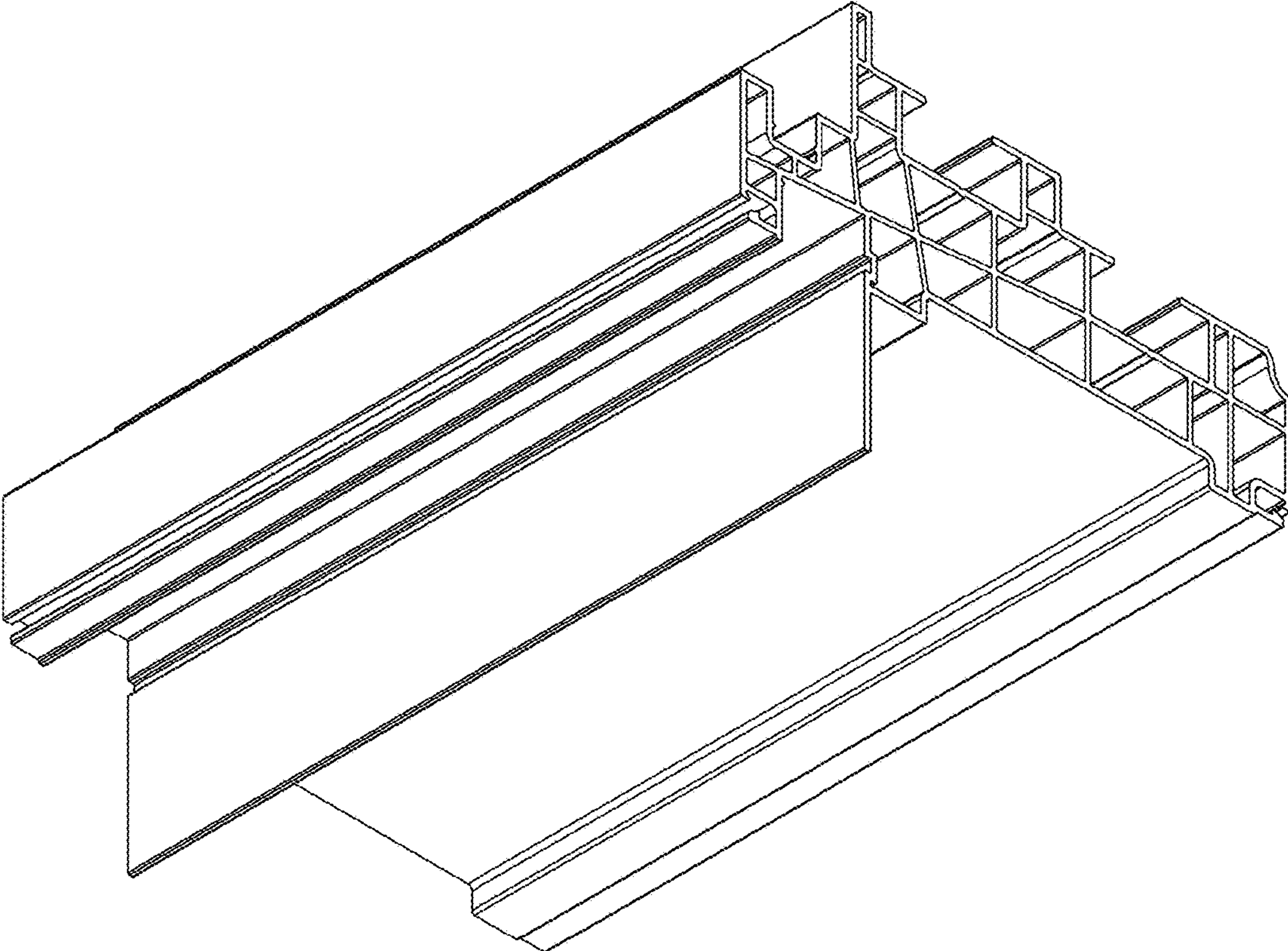


Fig. 4

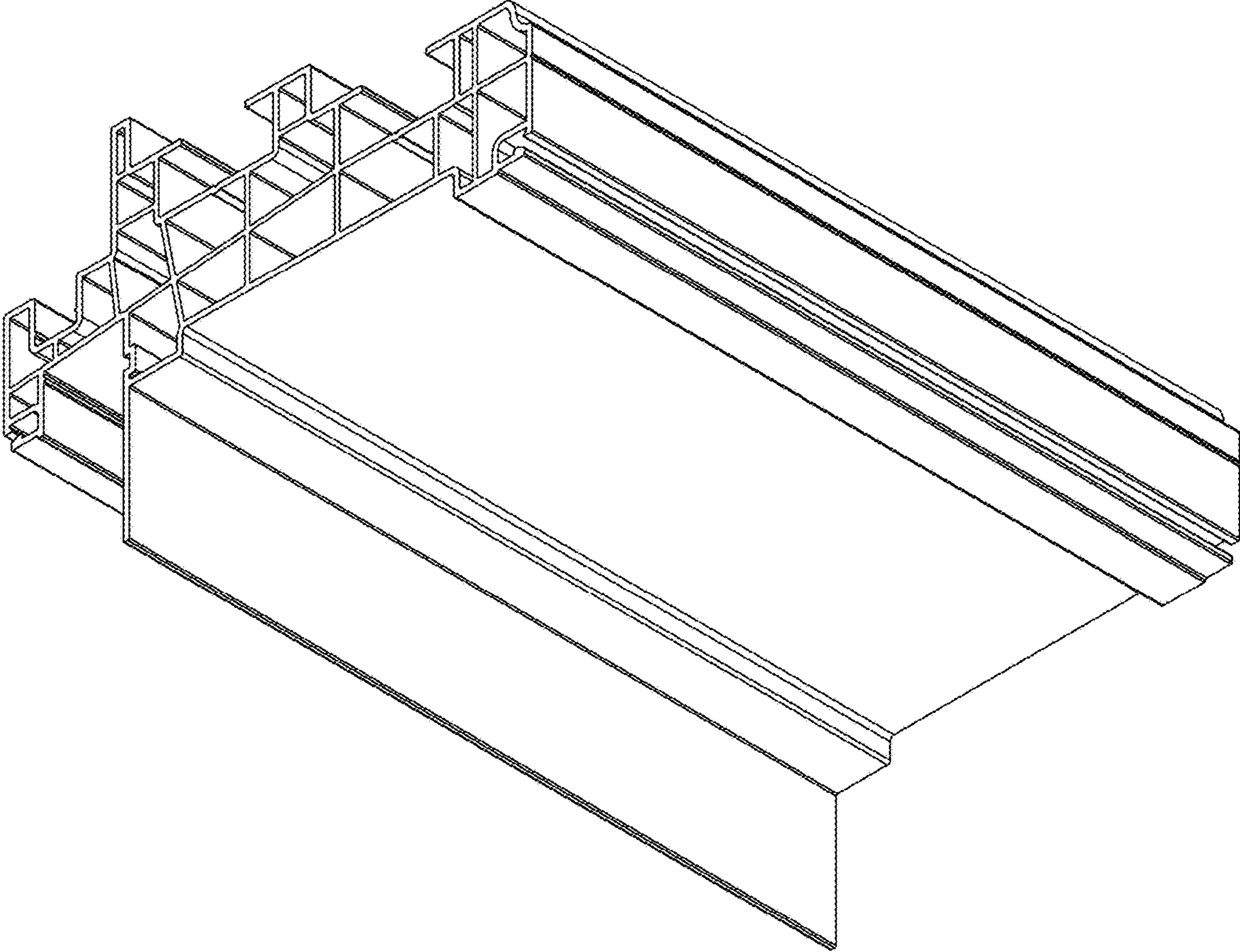
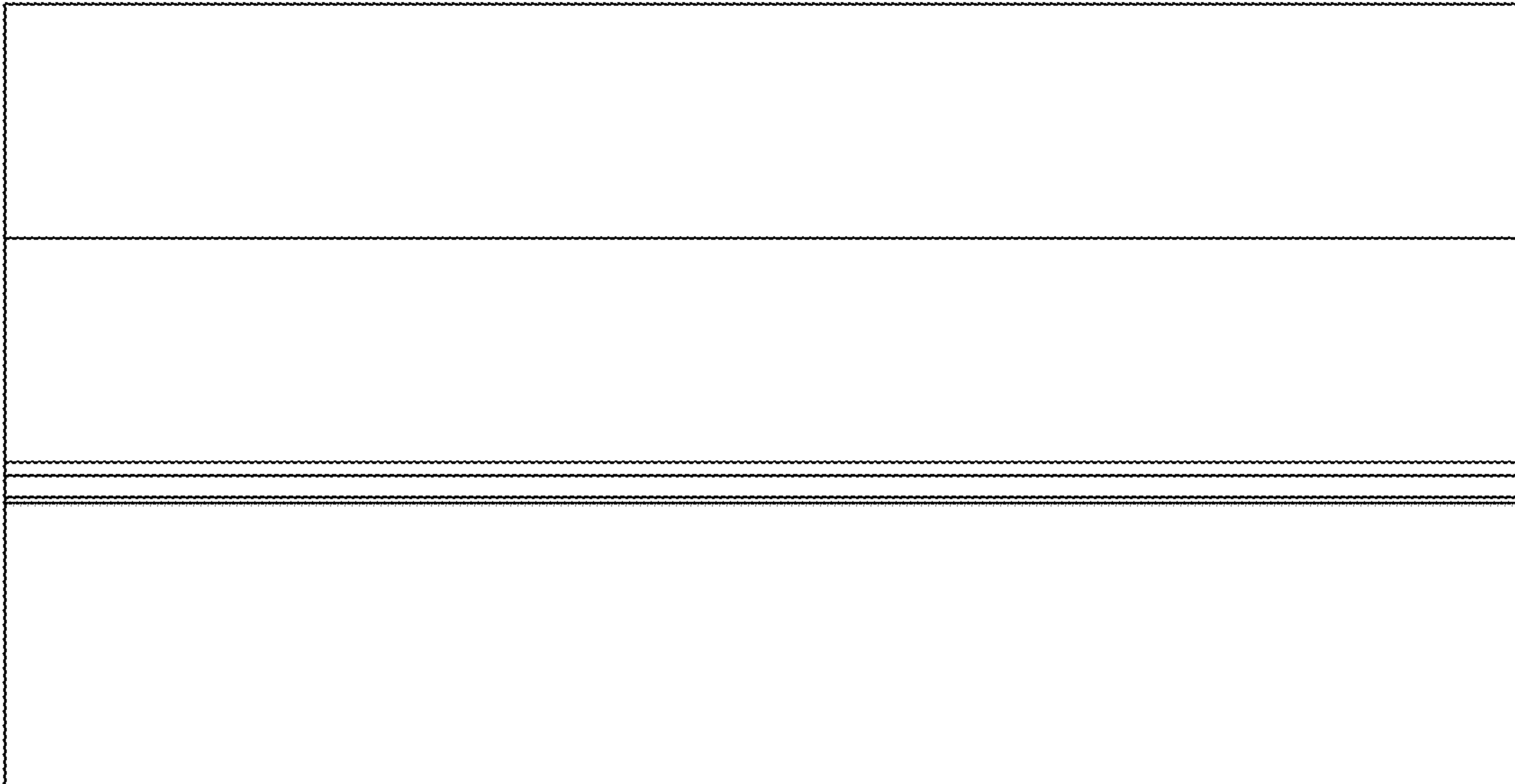


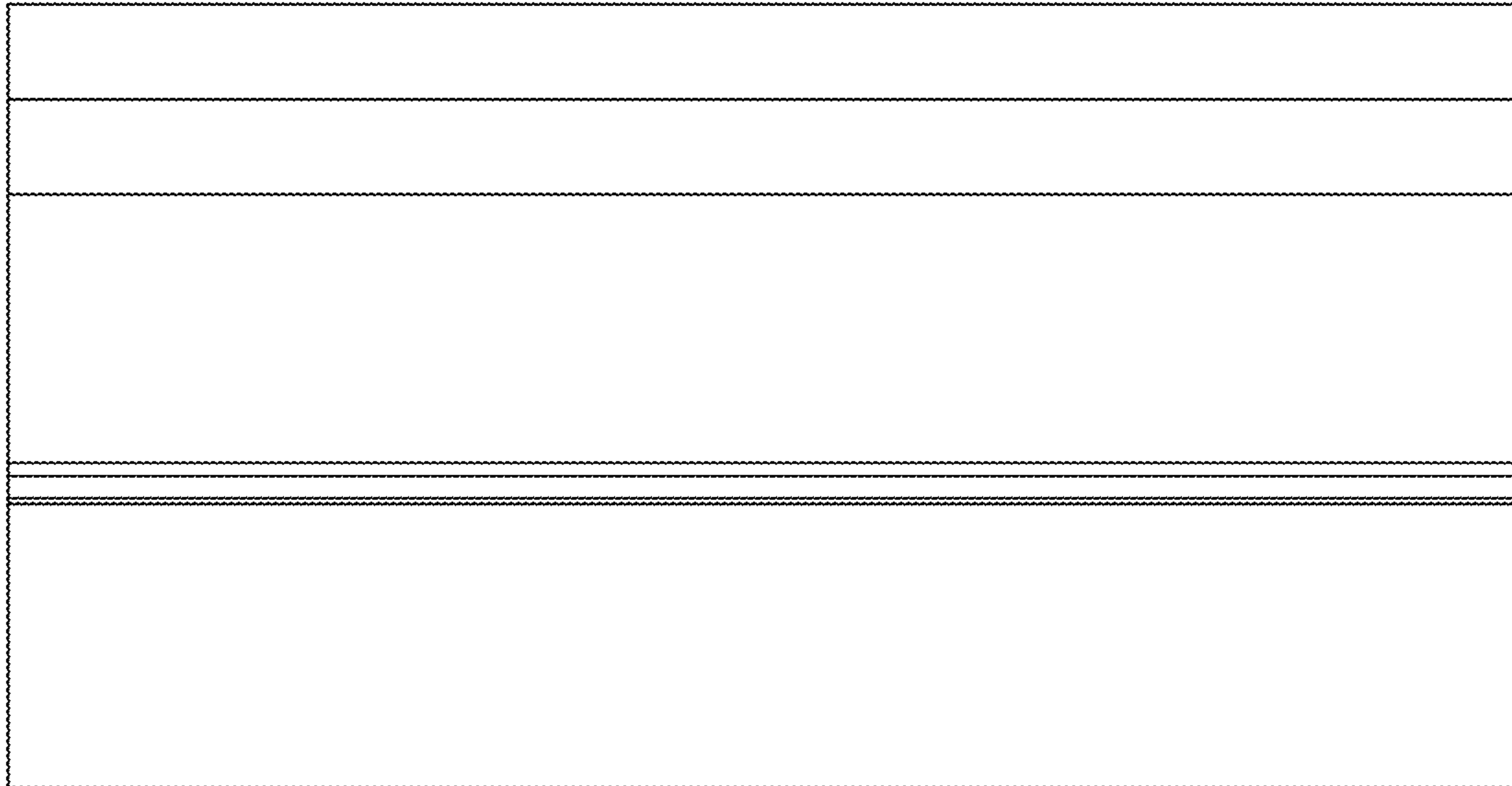
Fig. 5



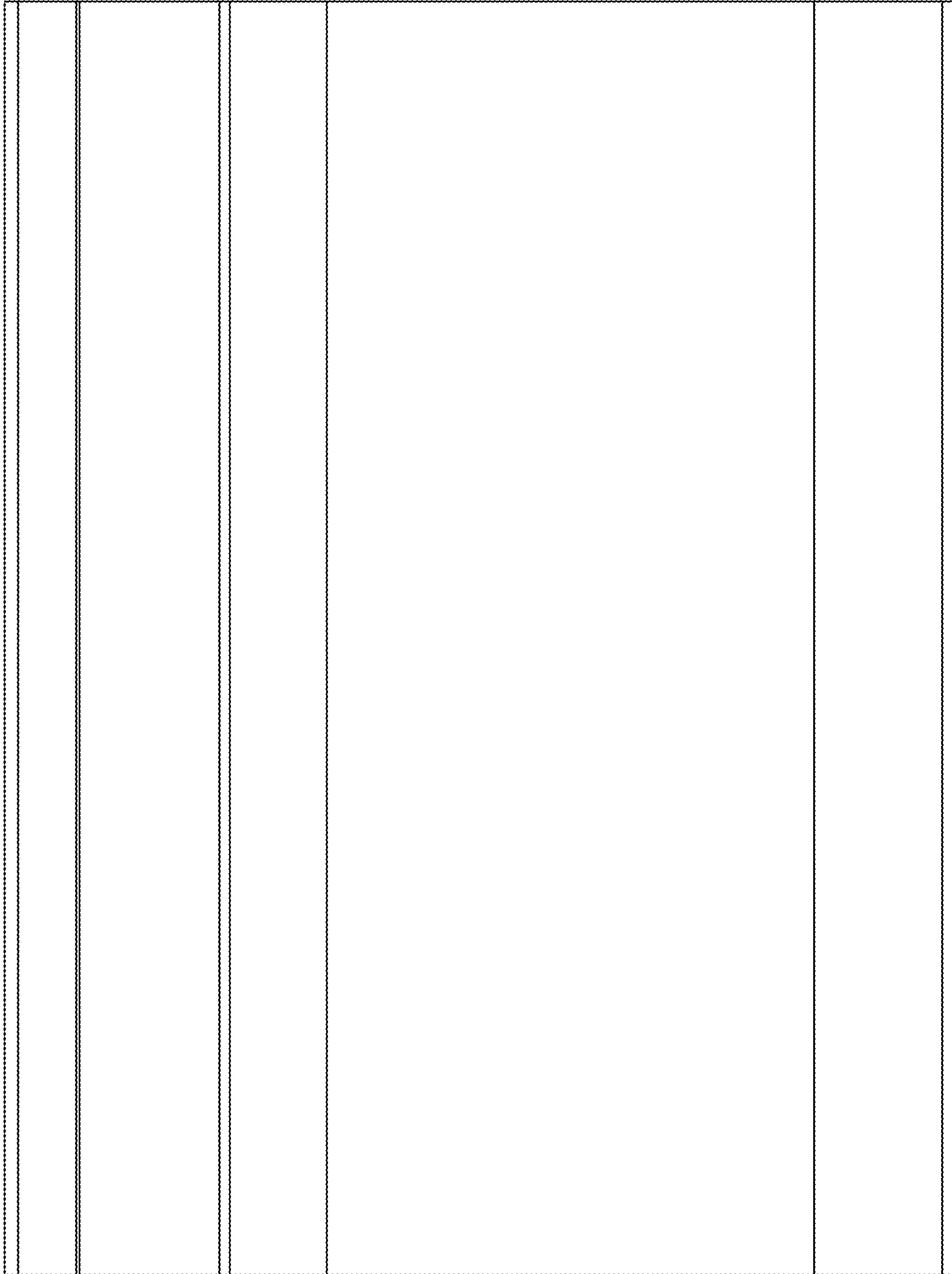




**Fig. 7**



**Fig. 8**



**Fig. 9**