



US00D872887S

(12) **United States Design Patent** (10) **Patent No.:** **US D872,887 S**
Fannan (45) **Date of Patent:** **** *Jan. 14, 2020**

(54) **WINDOW COMPONENT EXTRUSION**

(75) Inventor: **Michael R. Fannan**, Pecatonica, IL (US)

(73) Assignee: **Mikron Industries, Inc.**, Kent, WA (US)

(*) Notice: This patent is subject to a terminal disclaimer.

(**) Term: **14 Years**

(21) Appl. No.: **29/314,282**

(22) Filed: **Mar. 18, 2009**

Related U.S. Application Data

(63) Continuation of application No. 29/310,190, filed on Jul. 31, 2008, now abandoned.

(51) **LOC (12) Cl.** **25-99**

(52) **U.S. Cl.**
USPC **D25/124**

(58) **Field of Classification Search**

USPC D25/35, 38.1, 48.1, 48.2, 48.3, 48.7, 58, D25/60, 119-126, 131-137, 164, 199, 61; D12/223, 400; D34/35; D20/42-44; D26/138; D8/349, 354, 376, 377, 378, D8/380, 381

CPC ... E04C 3/00; E04C 3/005; E04C 3/02; E04C 3/04; E04C 3/12; E04C 3/20; E04C 3/28; E04C 3/30; E04C 3/127; E04C 3/29; E04F 19/02; E04F 19/022; E04F 19/026; E04F 19/028; E04F 19/04; E04F 19/0436; E04F 19/0481; E04F 19/0486; E04F 19/06; E04F 19/061; E06B 1/00; E06B 1/006; E06B 1/02; E06B 1/04; E06B 1/045; E06B 1/12; E06B 1/16; E06B 1/34; E06B 1/342; E06B 1/345; E06B 1/347; E06B 1/36; E06B 1/363; E06B 1/366; E06B 1/38; E06B 1/40; E06B 1/52; E06B 1/522; E06B 1/524; E06B 1/526; E06B 1/528; E06B 1/56; E06B 1/60; E06B 1/6092; E06B 1/62; E06B

1/70; E06B 1/702; E06B 1/705; E06B 1/707; E06B 1/14; E06B 1/2403; E06B 1/26; E06B 1/28; E06B 1/64; E06B 1/68; E04B 2/00; E04B 2/74; E04B 2/76; E04B 2/761; E04B 2/762; E04B 2/763; E04B 2/764; E04B 2/765; E04B 2/7854; E04B 2/7863; E04B 2/7872; E04B 2/7881; E04B 2/789; E04B 2001/2436; E04B 2001/2439; E04B 2001/2442; E04B 2001/2445; E04B 2001/2448; E04B 2001/2451; E04B 2001/2454; E04B 2001/2457; E04B 2001/2463

See application file for complete search history.

(56) **References Cited**

U.S. PATENT DOCUMENTS

D351,044	S	*	9/1994	Cole	D25/124
D357,545	S	*	4/1995	Cole	D25/124
D365,644	S	*	12/1995	Cole	D25/1
D375,807	S	*	11/1996	Goss	D25/124
D376,020	S	*	11/1996	DiGiorgio	D25/124
D376,433	S	*	12/1996	Cole	D25/124
D384,424	S	*	9/1997	Schrader	D25/124
D418,925	S	*	1/2000	Franson	D25/124
D436,408	S	*	1/2001	Ballard	D25/124

(Continued)

Primary Examiner — L. Martinez

(74) *Attorney, Agent, or Firm* — Zollinger & Burleson Ltd.

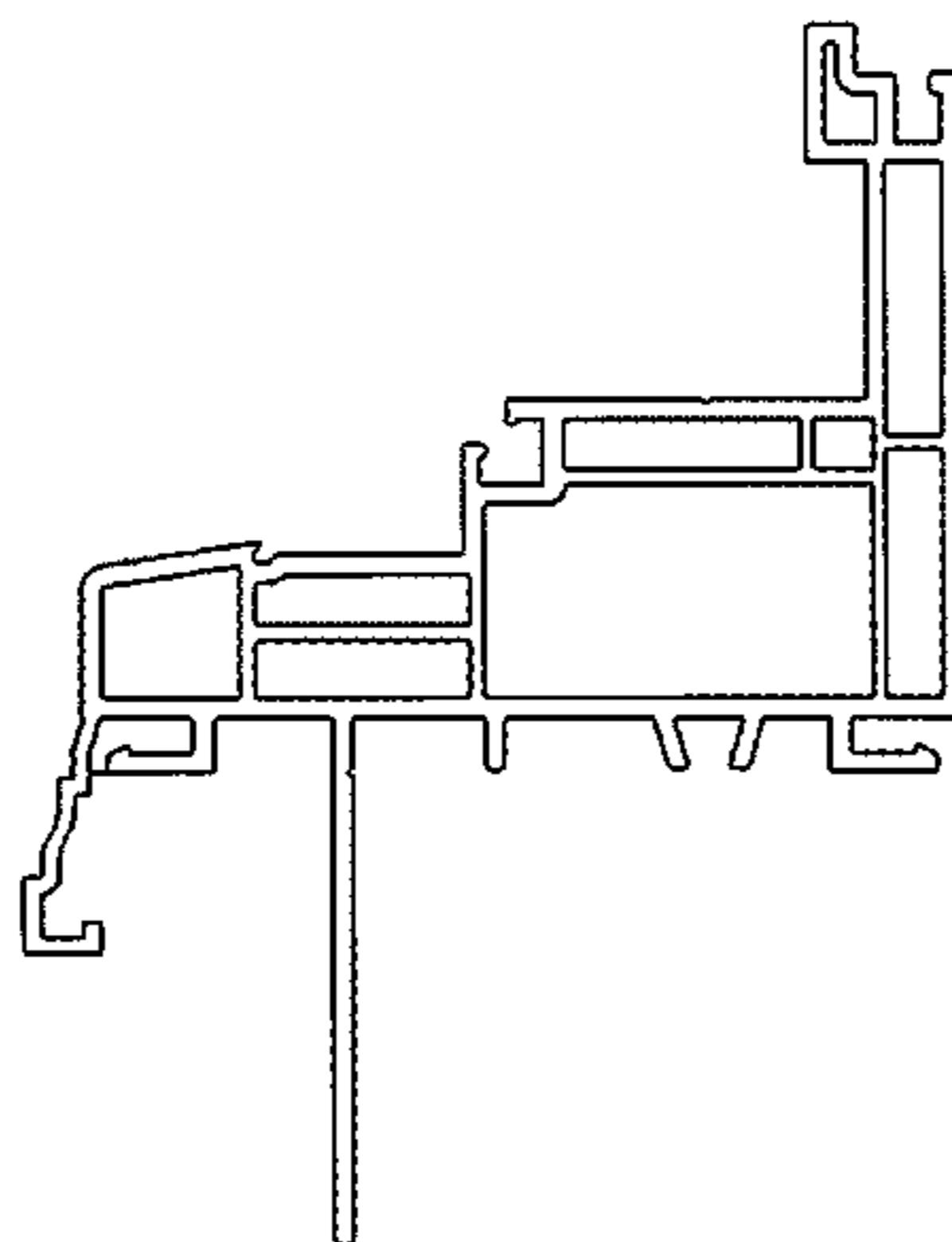
(57) **CLAIM**

The ornamental design for a window component extrusion, as shown and described.

DESCRIPTION

The sole FIGURE is an end elevation view of a window component extrusion showing my new design. The particular length of the window component extrusion is forms no part of the claimed design.

1 Claim, 1 Drawing Sheet



(56)

References Cited

U.S. PATENT DOCUMENTS

D450,139	S	*	11/2001	Roberts	D25/124
D467,012	S	*	12/2002	Ballard	D25/124
D507,356	S	*	7/2005	Jarrell	D25/124
D511,842	S	*	11/2005	Kim	D25/60
D552,261	S	*	10/2007	Wickland	D25/124
D552,763	S	*	10/2007	Wickland	D25/124
D597,221	S	*	7/2009	Campbell	D25/124
D608,907	S	*	1/2010	Stephens	D25/60
D608,908	S	*	1/2010	Stephens	D25/60
D608,909	S	*	1/2010	Stephens	D25/60
D608,911	S	*	1/2010	Stephens	D25/60
D615,666	S	*	5/2010	Stephens	D25/124
D619,729	S	*	7/2010	Bernier	D25/124
D630,344	S	*	1/2011	Stephens	D25/124
D691,739	S	*	10/2013	Wickland	D25/124
D693,486	S	*	11/2013	Wickland	D25/124
D713,556	S	*	9/2014	Stankay	D25/124
D720,084	S	*	12/2014	Wickland	D25/124
D726,937	S	*	4/2015	Campbell	D25/124
D726,938	S	*	4/2015	Campbell	D25/124
D732,203	S	*	6/2015	Campbell	D25/124
D735,359	S	*	7/2015	Chaney	D25/124
D771,839	S	*	11/2016	Hetherington	D25/124
D771,840	S	*	11/2016	Hetherington	D25/124
D775,740	S	*	1/2017	Wickland	D25/124
D784,561	S	*	4/2017	Hetherington	D25/124

* cited by examiner

