



US00D872884S

(12) **United States Design Patent** (10) **Patent No.:** **US D872,884 S**  
**Carter** (45) **Date of Patent:** **\*\* Jan. 14, 2020**

(54) **EXTRUSION**

(71) Applicant: **Glamagard Pty Ltd**, Fyshwick (AU)

(72) Inventor: **John Carter**, Fyshwick (AU)

(73) Assignee: **Glamagard Pty Ltd**, Fyshwick (AU)

(\*\*) Term: **15 Years**

(21) Appl. No.: **29/647,754**

(22) Filed: **May 15, 2018**

(30) **Foreign Application Priority Data**

Nov. 15, 2017 (AU) ..... 201716954

(51) **LOC (12) Cl.** ..... **25-01**

(52) **U.S. Cl.**  
USPC ..... **D25/119; D25/38.1**

(58) **Field of Classification Search**  
USPC ..... D25/60, 119-126, 164, 199, 35, 38.1;  
D8/354, 395  
CPC ... E06B 1/02; E06B 1/04; E06B 1/045; E06B  
1/12; E06B 1/14; E06B 1/2403; E06B  
1/26; E06B 1/28; E06B 1/34; E06B  
1/342; E06B 1/52; E06B 1/524; E06B  
1/64; E06B 1/68; E06B 7/00; E06B 7/02;  
E06B 7/14; E06B 7/16; E06B 7/18; E06B  
7/22; E06B 7/26; E04F 19/02; E04F  
19/022; E04F 19/026; E04F 19/028; E04F  
19/04; E04F 19/0486; E04F 19/06; E04F  
19/061; E04F 19/062; E04F 19/065; E04F  
19/066; E04F 19/067; E04F 13/21; E04F  
13/22; E04F 13/24; E04F 13/25; E04F  
13/26; E04F 13/28; E04H 17/14; E04H  
17/1413; E04H 17/1417; E04H 17/1421;  
E04H 17/16; E04H 17/163; E04H 17/168;  
E04H 17/20; E04H 2017/1447; E04H  
2017/1456

See application file for complete search history.

(56) **References Cited**

U.S. PATENT DOCUMENTS

D261,315 S *	10/1981	Schmidt	.....	D25/119
D261,316 S *	10/1981	Schmidt	.....	D25/119
4,333,284 A *	6/1982	Meadows	.....	E06B 3/285 52/202
D270,188 S *	8/1983	Whitehouse	.....	D25/119
D283,352 S *	4/1986	Bancroft	.....	D25/119
4,972,640 A *	11/1990	DiFazio	.....	E06B 1/342 52/204.53
4,986,332 A *	1/1991	Lanuza	.....	E04B 9/303 160/327
D377,505 S *	1/1997	Thompson	.....	D25/119
5,638,653 A *	6/1997	Rossi	.....	E04F 19/062 52/36.6
D426,003 S *	5/2000	Neuhofer, Jr.	.....	D25/199
6,385,932 B1 *	5/2002	Melchiori	.....	E04F 13/06 52/62

(Continued)

*Primary Examiner* — L. Martinez

(74) *Attorney, Agent, or Firm* — Fitch Even Tabin & Flannery LLP

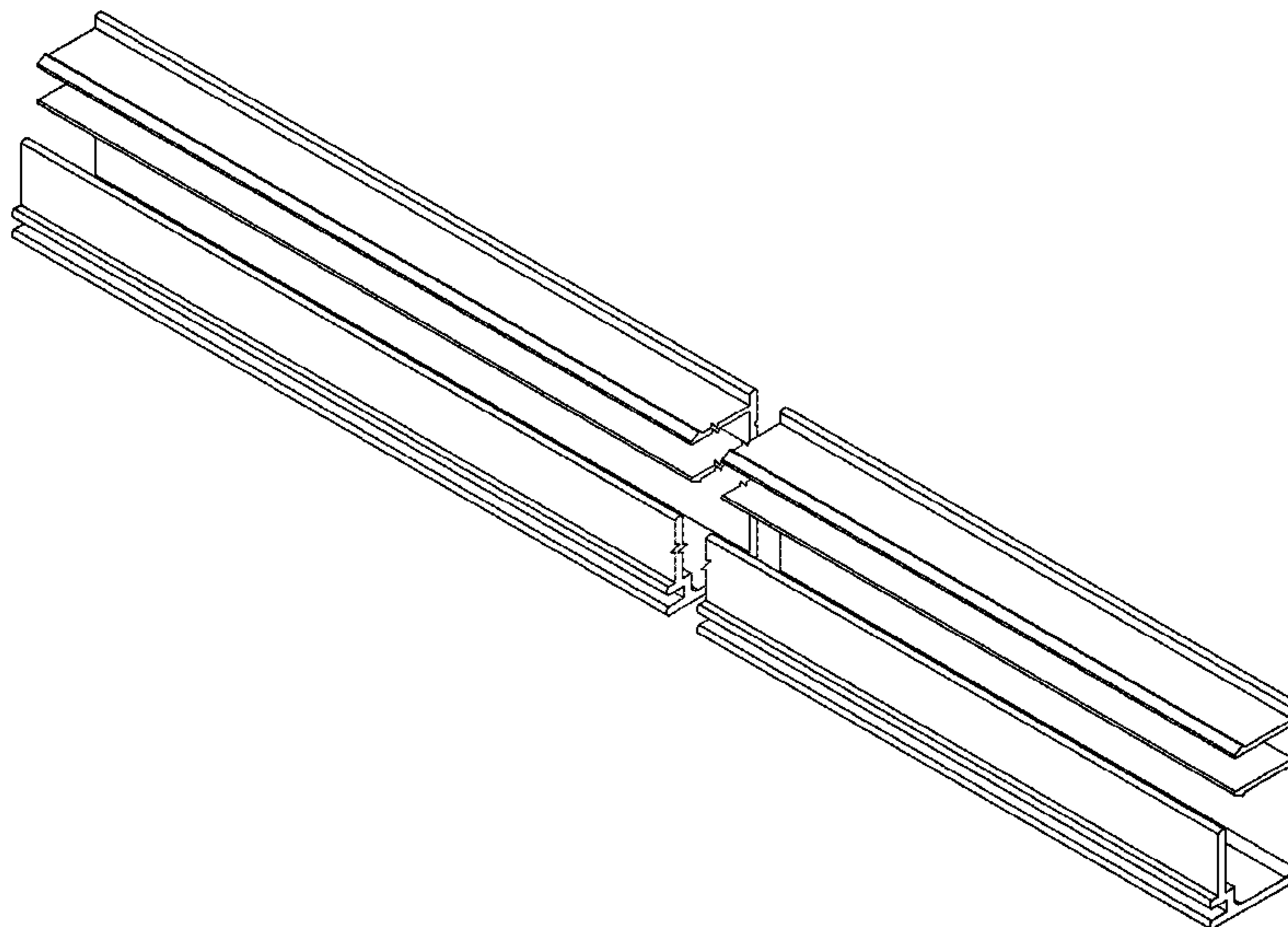
(57) **CLAIM**

The ornamental design for an extrusion, as shown and described.

**DESCRIPTION**

FIG. 1 is a perspective view of an extrusion in accordance with my new design;  
FIG. 2 is a top plan view thereof;  
FIG. 3 is a bottom plan view thereof;  
FIG. 4 is a left side elevation view thereof;  
FIG. 5 is a right side elevation view thereof; and,  
FIG. 6 is an enlarged front elevation view thereof, the rear elevation view being a mirror image thereof.  
The extrusion is shown with a symbolic break in its length. The appearance of any portion of the extrusion between the jagged break lines forms no part of the claimed design.

**1 Claim, 6 Drawing Sheets**



(56)

**References Cited**

## U.S. PATENT DOCUMENTS

D468,452 S \* 1/2003 Jones ..... D25/119  
D497,678 S \* 10/2004 Brabeck ..... D25/119  
D652,532 S \* 1/2012 Letham ..... D25/123  
D789,559 S \* 6/2017 Singh ..... D25/119  
D789,560 S \* 6/2017 Singh ..... D25/119  
D790,078 S \* 6/2017 Singh ..... D25/119  
D791,350 S \* 7/2017 Singh ..... D25/119  
D791,351 S \* 7/2017 Singh ..... D25/119  
D791,974 S \* 7/2017 Nelson ..... D25/119  
D791,975 S \* 7/2017 Nelson ..... D25/119  
D825,782 S \* 8/2018 Inzeo ..... D25/119  
D834,729 S \* 11/2018 Lee ..... D25/119  
D837,409 S \* 1/2019 Troutt ..... D25/60  
2002/0116890 A1 \* 8/2002 Moore, Jr. .... E04B 2/8635  
52/578  
2006/0207197 A1 \* 9/2006 Anderson ..... E04F 19/024  
52/211  
2008/0263983 A1 \* 10/2008 Stanchfield ..... E04F 19/061  
52/459  
2010/0251644 A1 \* 10/2010 Quesada ..... E06B 1/02  
52/215  
2012/0328823 A1 \* 12/2012 Monteer ..... E04F 19/024  
428/99  
2013/0047532 A1 \* 2/2013 Armacost ..... E04F 13/21  
52/288.1  
2015/0233177 A1 \* 8/2015 Marchand ..... E06B 1/52  
160/378  
2017/0051552 A1 \* 2/2017 Rosende ..... E06B 1/68  
2017/0260752 A1 \* 9/2017 Bilge ..... E04F 19/061  
2019/0145125 A1 \* 5/2019 Carter ..... E04H 17/168

\* cited by examiner

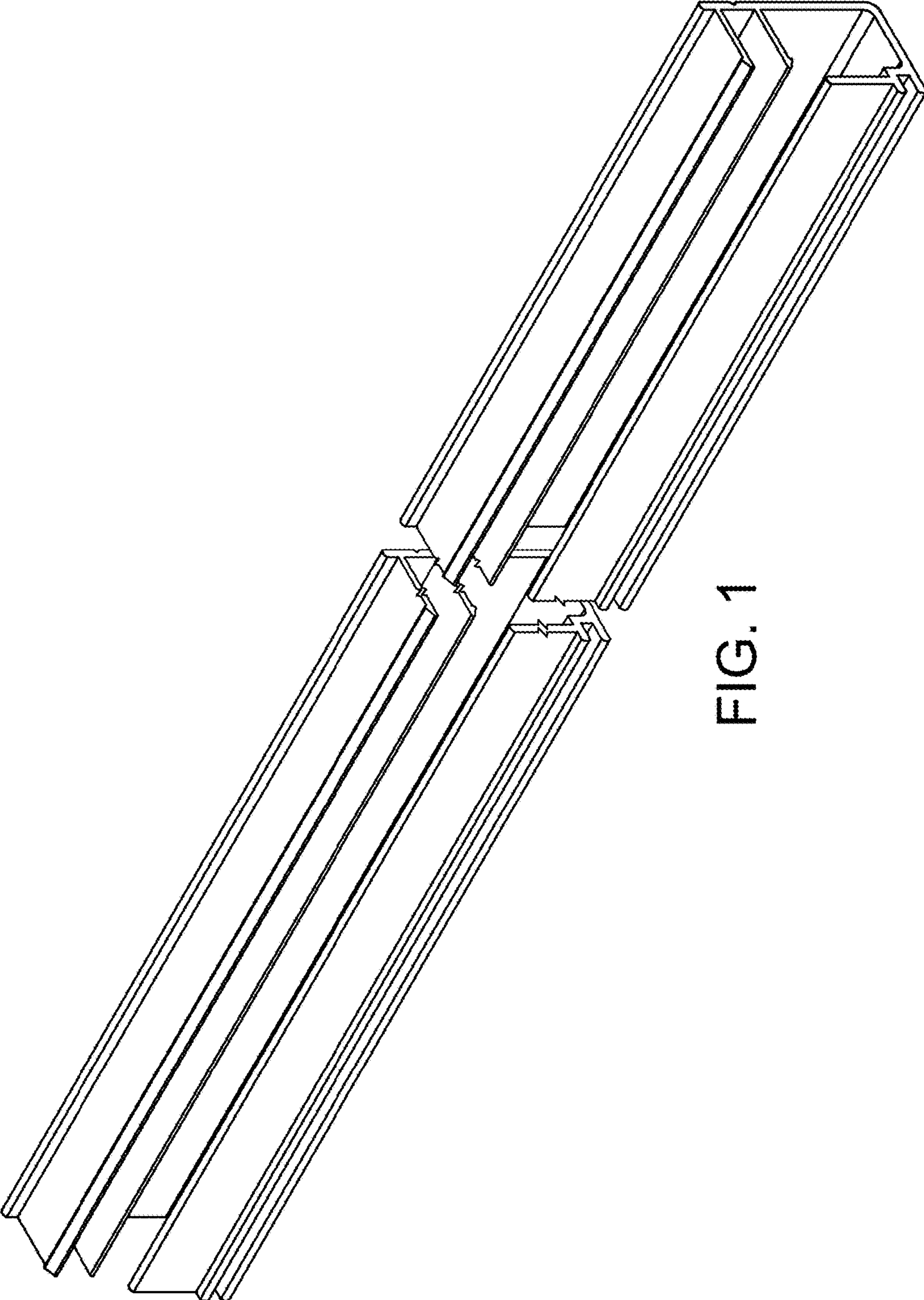


FIG. 1

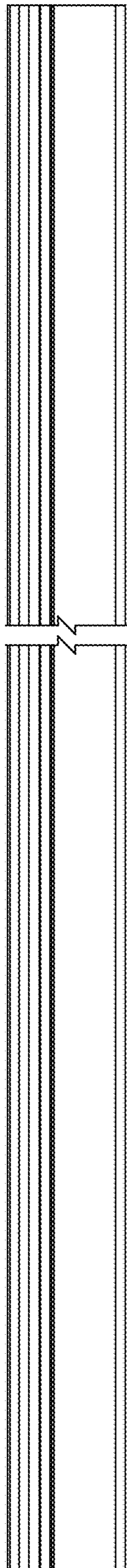


FIG. 2

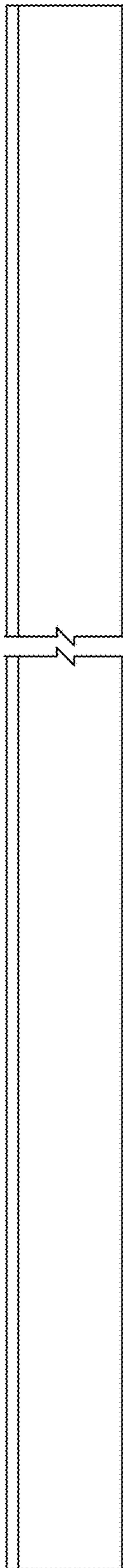


FIG. 3

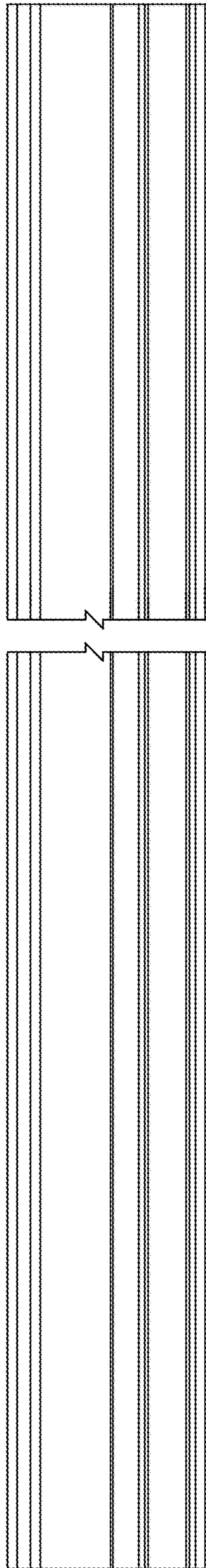


FIG. 4

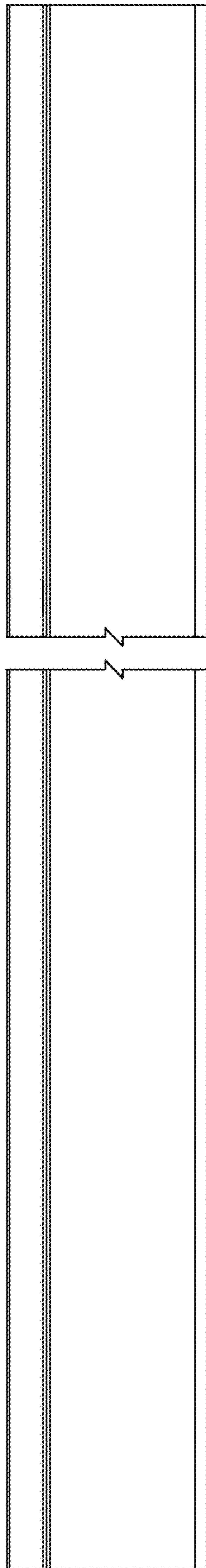


FIG. 5

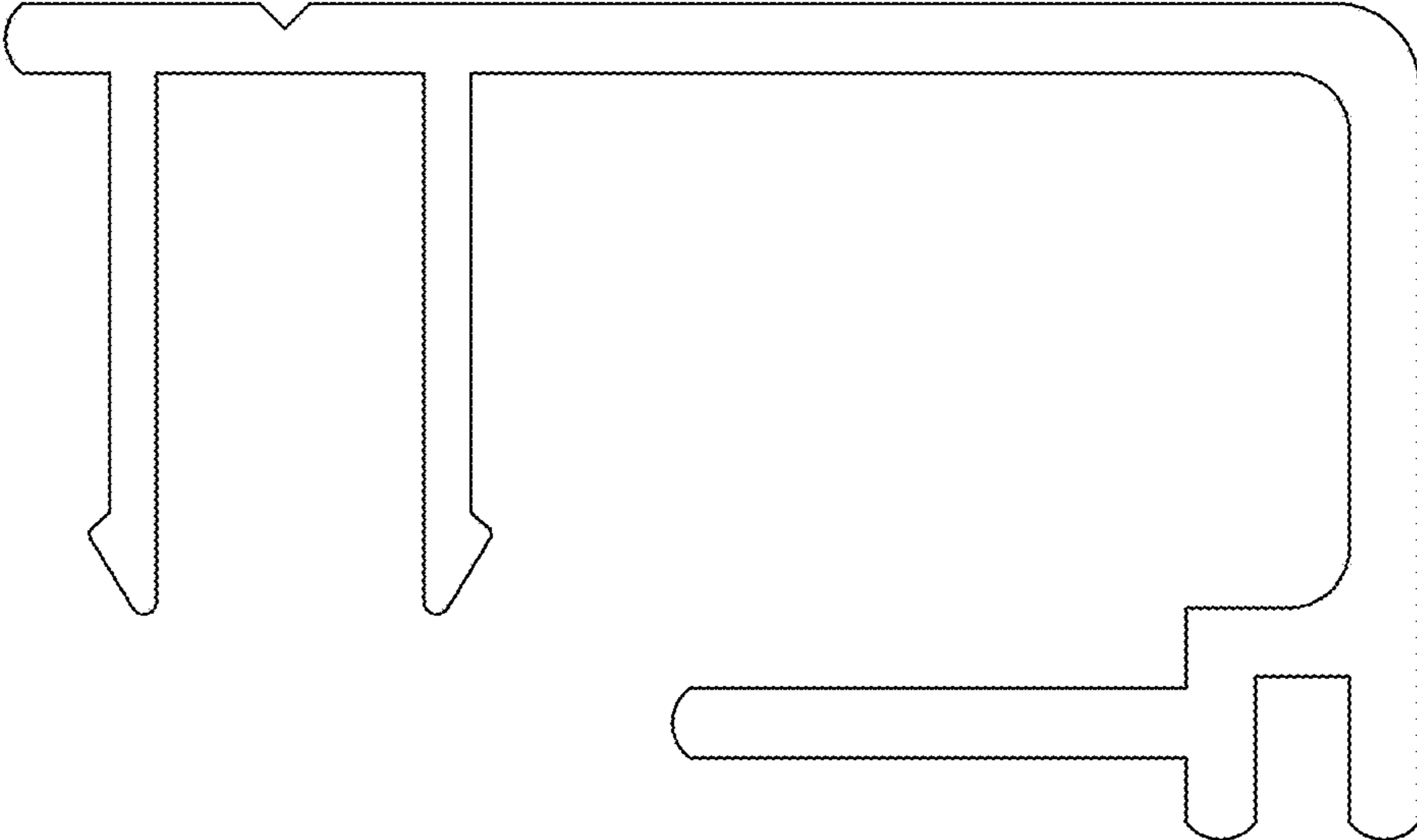


FIG. 6