



US00D872883S

(12) **United States Design Patent** (10) **Patent No.:** **US D872,883 S**
Bilge (45) **Date of Patent:** **** Jan. 14, 2020**

- (54) **ADJUSTMENT SUPPORT MEMBER FOR MOUNTING WALL PANELS TO AN EXISTING WALL**
- (71) Applicant: **Henry H. Bilge**, Fort Lee, NJ (US)
- (72) Inventor: **Henry H. Bilge**, Fort Lee, NJ (US)
- (**) Term: **15 Years**
- (21) Appl. No.: **29/612,731**
- (22) Filed: **Aug. 3, 2017**
- (51) **LOC (12) Cl.** **25-01**
- (52) **U.S. Cl.**
USPC **D25/119; D8/349**
- (58) **Field of Classification Search**
USPC D25/119-123, 164, 199; D8/349, 354, D8/384
CPC E04F 13/00; E04F 13/007; E04F 13/07; E04F 13/0892; E04F 13/0894; E04F 13/21; E04F 13/26; E04F 13/28; E04C 3/00; E04C 3/02; E04C 3/04
See application file for complete search history.

D379,525 S *	5/1997	DiGiorgio	D25/122
D395,524 S *	6/1998	Daoust	D25/122
D445,921 S *	7/2001	Eyring	D25/121
D474,549 S *	5/2003	Krieger	D25/121
D522,147 S *	5/2006	Morton	D25/119
D570,674 S *	6/2008	Boylan	D25/121
D587,819 S *	3/2009	Ryan	D25/119
D621,962 S *	8/2010	Deleu	D25/122
D641,500 S *	7/2011	Lehane, Jr.	D25/122
9,181,713 B1 *	11/2015	Farahmandpour	E04F 13/26
D794,423 S *	8/2017	Moon	D8/349
D828,581 S *	9/2018	Reynolds	D25/61
10,253,507 B1 *	4/2019	Bilge	E04F 13/0892
10,260,240 B1 *	4/2019	Bilge	E04F 13/0803
2016/0108617 A1 *	4/2016	Powers	E04C 3/02
				52/831

* cited by examiner

Primary Examiner — L. Martinez

(74) *Attorney, Agent, or Firm* — Richard M. Goldberg

(57) **CLAIM**

The ornamental design for an adjustment support member for mounting wall panels to an existing wall, as shown and described.

DESCRIPTION

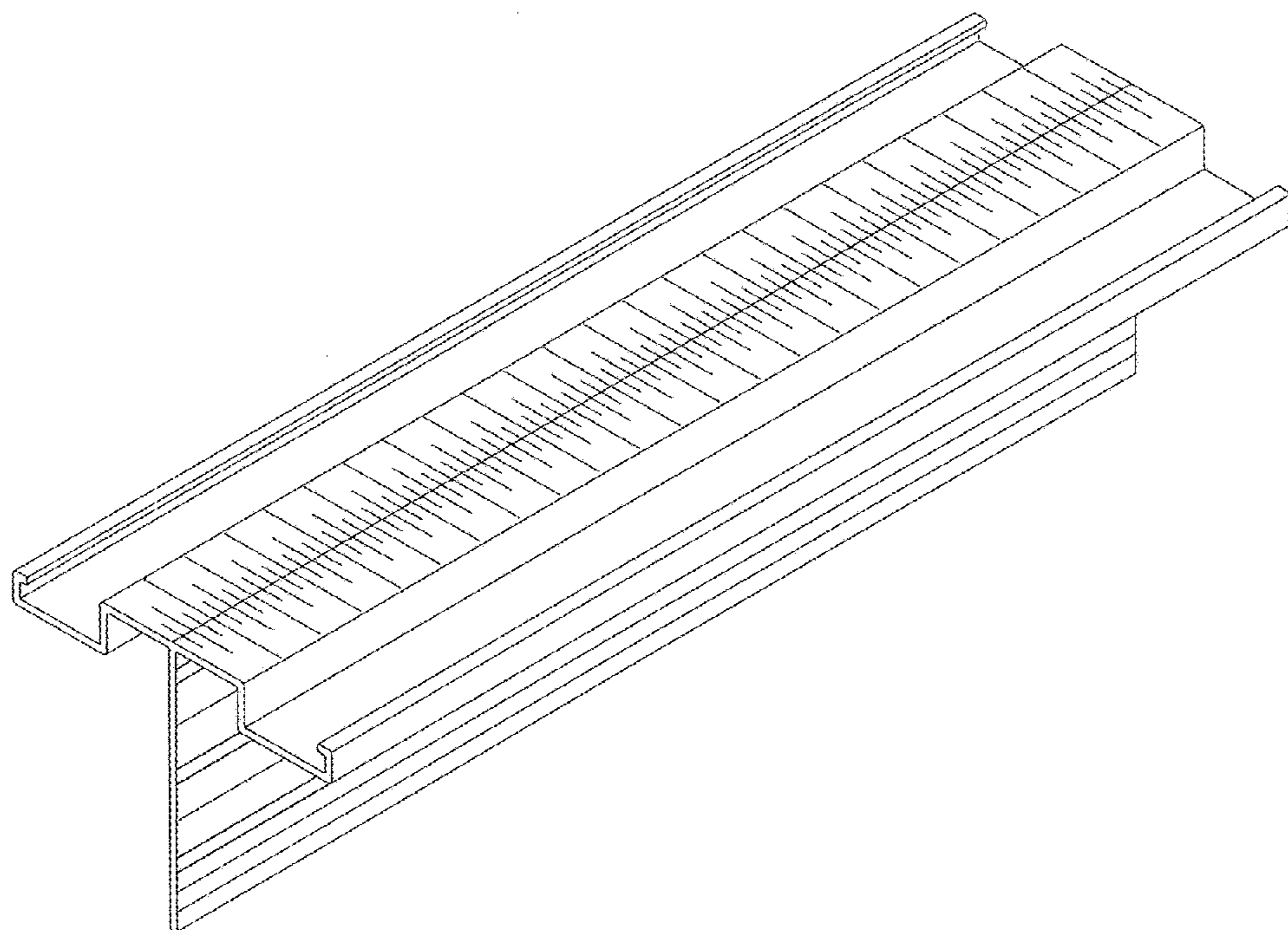
FIG. 1 is a top perspective view of the adjustment support member for mounting wall panels to an existing wall; FIG. 2 is a front elevational view thereof, with the rear elevational view being a mirror image thereof; FIG. 3 is a left side elevational view thereof, with the right side elevational view being a mirror image thereof; FIG. 4 is a top plan view thereof; and, FIG. 5 is a bottom plan view thereof.

1 Claim, 5 Drawing Sheets

(56) **References Cited**

U.S. PATENT DOCUMENTS

1,204,955 A *	11/1916	Day	E04C 3/07
				D25/164
2,015,433 A *	9/1935	Meyers	E04H 12/2215
				D25/164
D242,626 S *	12/1976	Scrivener	D25/123
D242,627 S *	12/1976	Scrivener	D25/123
D242,628 S *	12/1976	Scrivener	D25/123
D246,889 S *	1/1978	Eckerline	D25/121
D344,809 S *	3/1994	Bancroft	D25/121



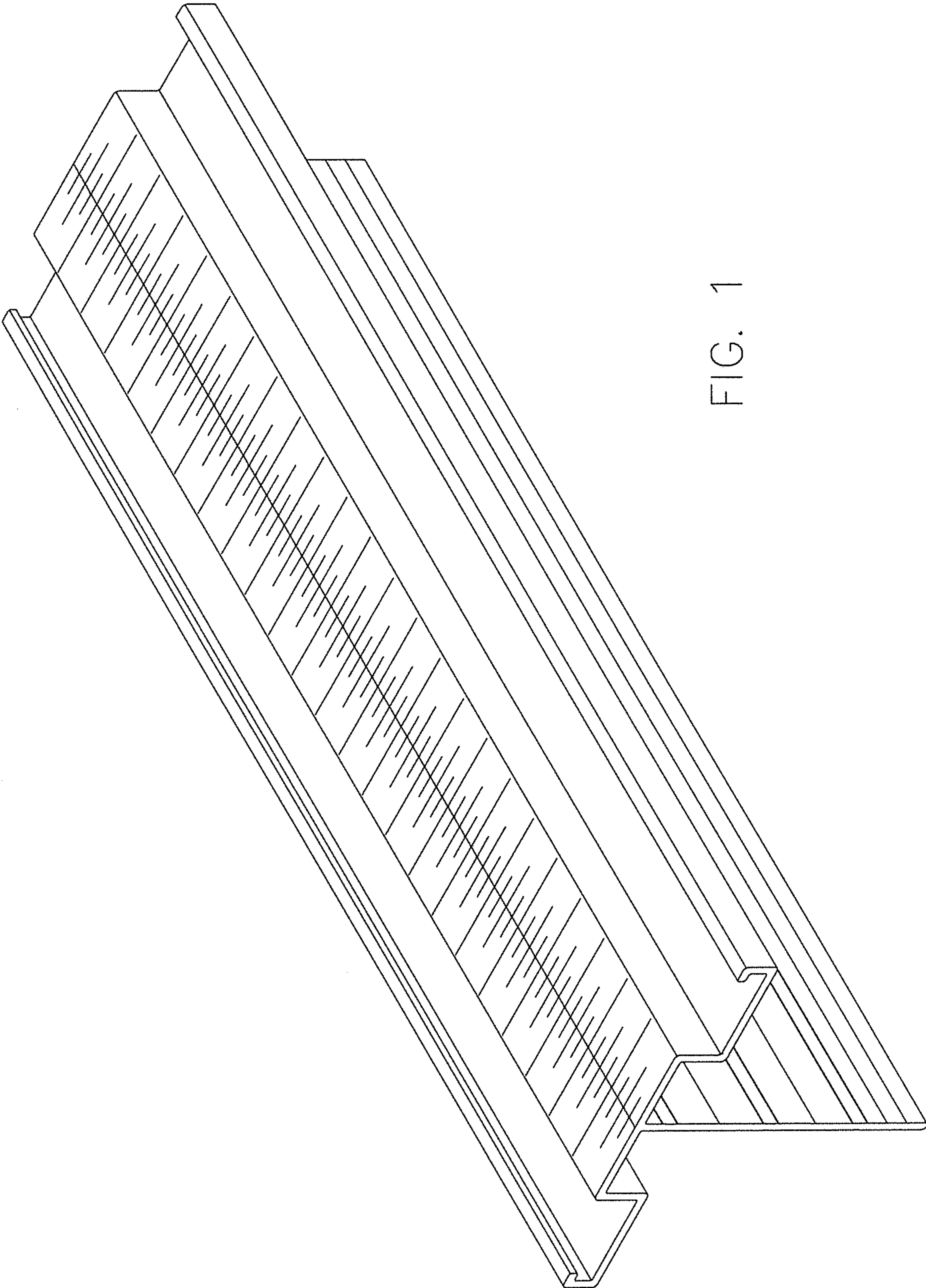


FIG. 1

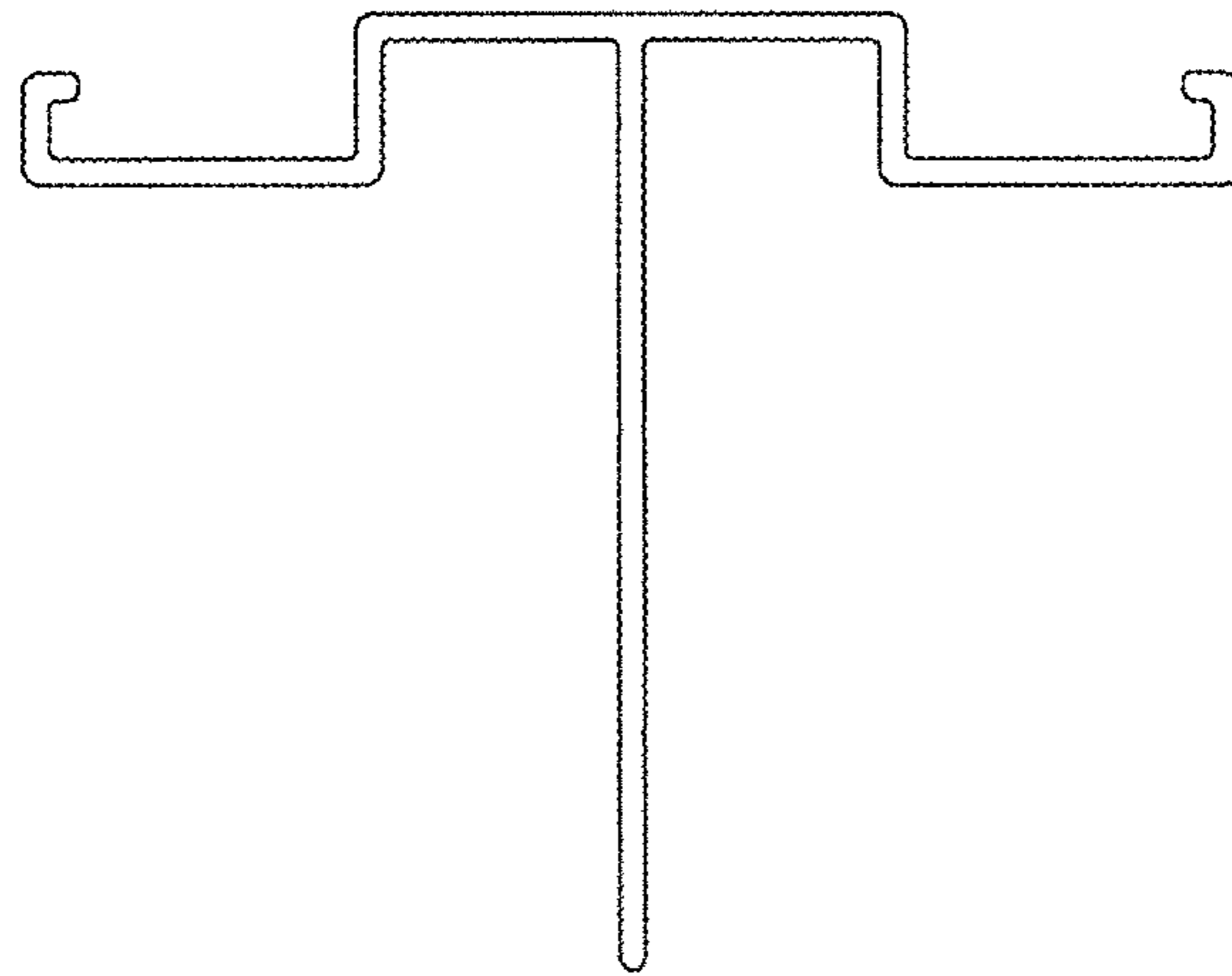


FIG. 2

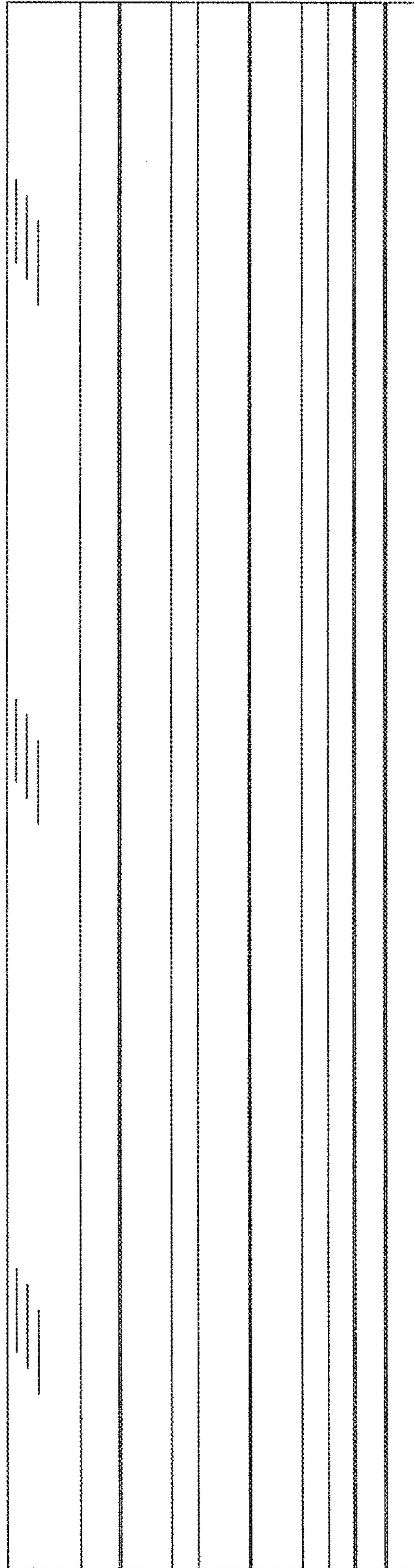


FIG. 3

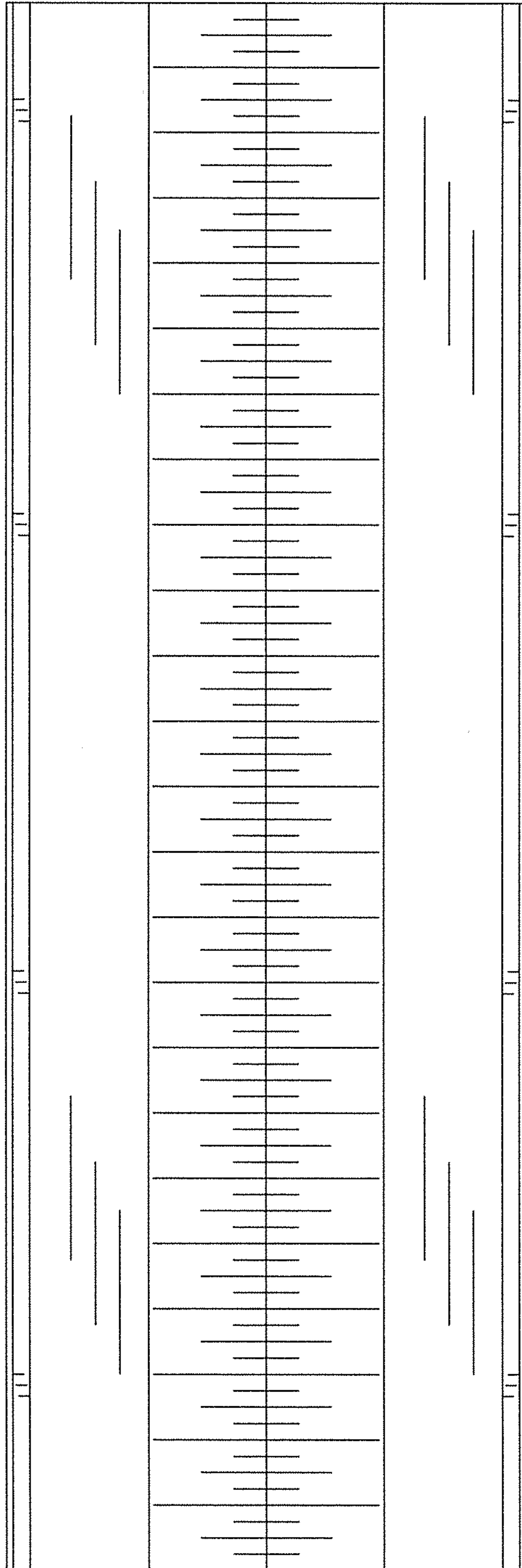


FIG. 4

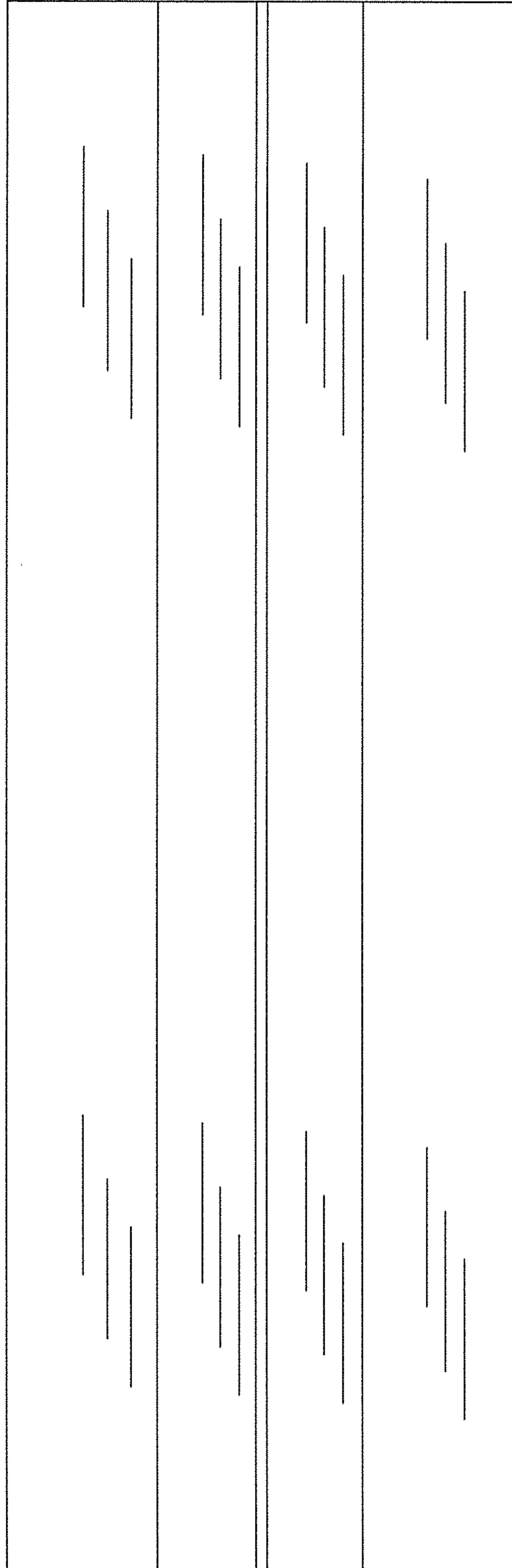


FIG. 5