



US00D872881S

(12) **United States Design Patent**
Green

(10) **Patent No.:** **US D872,881 S**

(45) **Date of Patent:** **** Jan. 14, 2020**

(54) **LADDER BRACKET**

(71) Applicant: **LockNClimb, LLC**, Independence, KS
(US)

(72) Inventor: **Jeffrey Alan Green**, Independence, KS
(US)

(73) Assignee: **LOCK N CLIMB, LLC**,
Independence, KS (US)

(**) Term: **15 Years**

(21) Appl. No.: **29/661,067**

(22) Filed: **Aug. 24, 2018**

(51) **LOC (12) Cl.** **25-04**

(52) **U.S. Cl.**
USPC **D25/68**

(58) **Field of Classification Search**
USPC D25/62-69; 182/107, 206, 106, 111,
182/112, 207, 113, 15, 17, 198, 228.3,
182/117, 121; D8/349, 354
CPC E06C 7/10; E06C 7/18; E06C 7/44
See application file for complete search history.

(56) **References Cited**

U.S. PATENT DOCUMENTS

4,542,874 A * 9/1985 Ronning E06C 7/16
182/121
4,901,818 A * 2/1990 Schmitt E06C 7/081
182/117

D498,855 S * 11/2004 Dean D25/68
7,185,739 B1 * 3/2007 Blehm E06C 1/345
182/107
7,909,138 B2 * 3/2011 Svehlek E06C 7/48
182/107
D815,305 S * 4/2018 Alvarado D25/68
D818,610 S * 5/2018 Lanzafame D25/68

* cited by examiner

Primary Examiner — Gino Colan

(74) *Attorney, Agent, or Firm* — Katten Muchin
Rosenman LLP

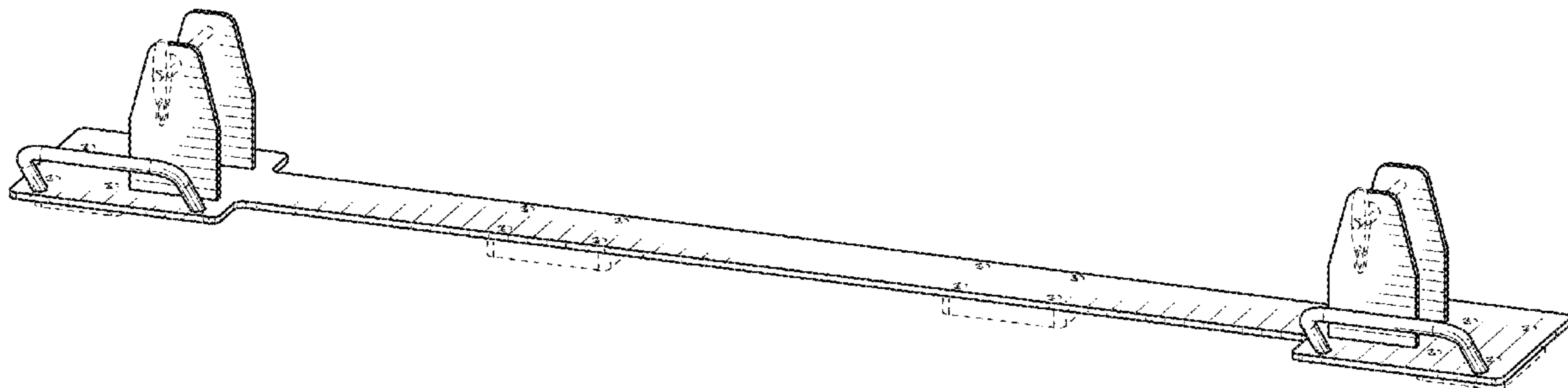
(57) **CLAIM**

The ornamental design for the ladder bracket, as shown and described.

DESCRIPTION

FIG. 1 is a front perspective view of a ladder bracket showing my new design;
FIG. 2 is a front elevation view thereof;
FIG. 3 is a rear elevation view thereof;
FIG. 4 is a left side elevation view thereof;
FIG. 5 is a right side elevation view thereof;
FIG. 6 is a top plan view thereof; and,
FIG. 7 is a bottom plan view thereof.
The broken lines shown in the figures are included for the purposes of illustrating portions of the ladder bracket which form no part of the claimed design.

1 Claim, 3 Drawing Sheets



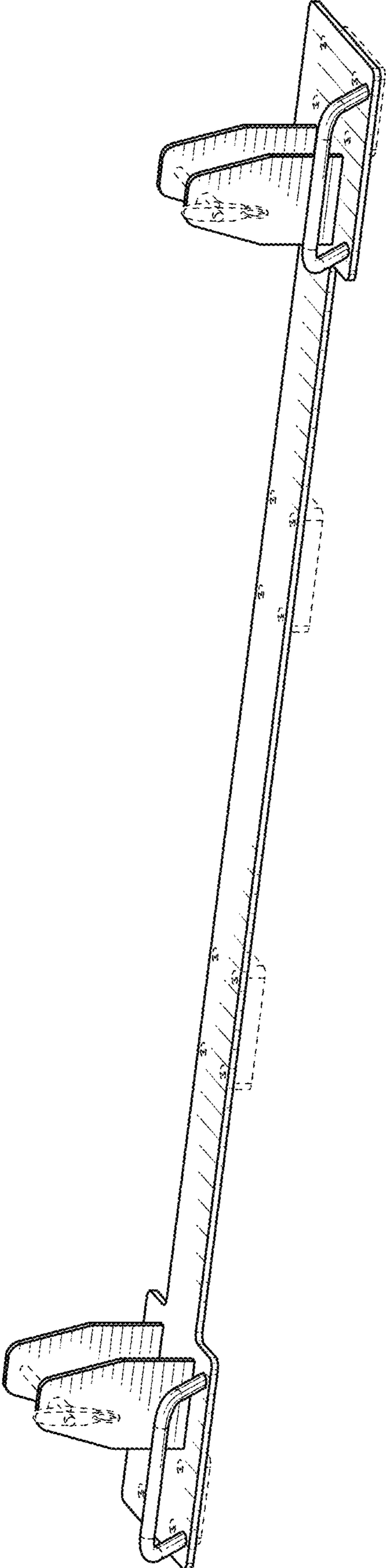


FIG. 1

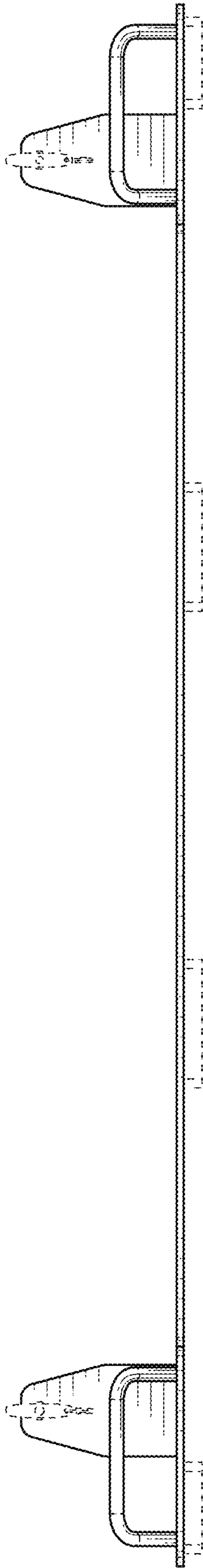


FIG. 2

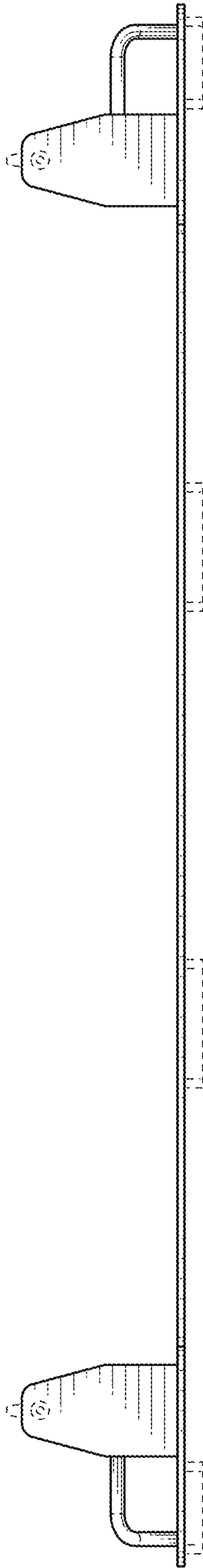


FIG. 3



FIG. 4

FIG. 5

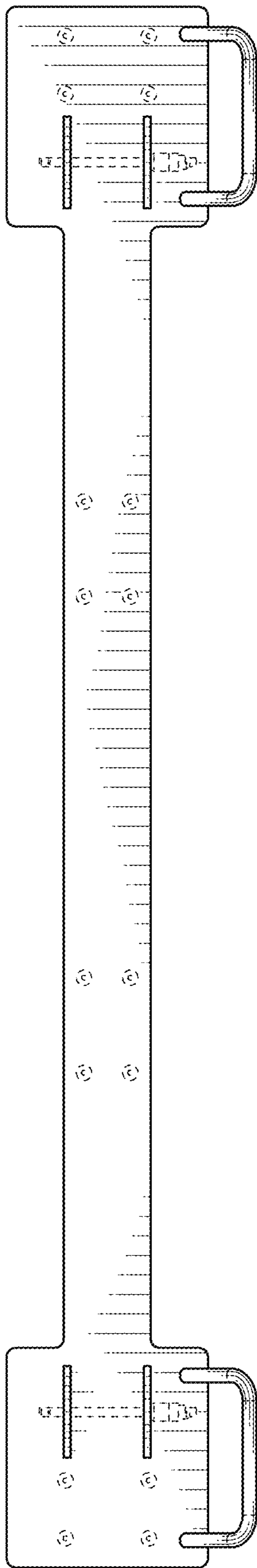


FIG. 6

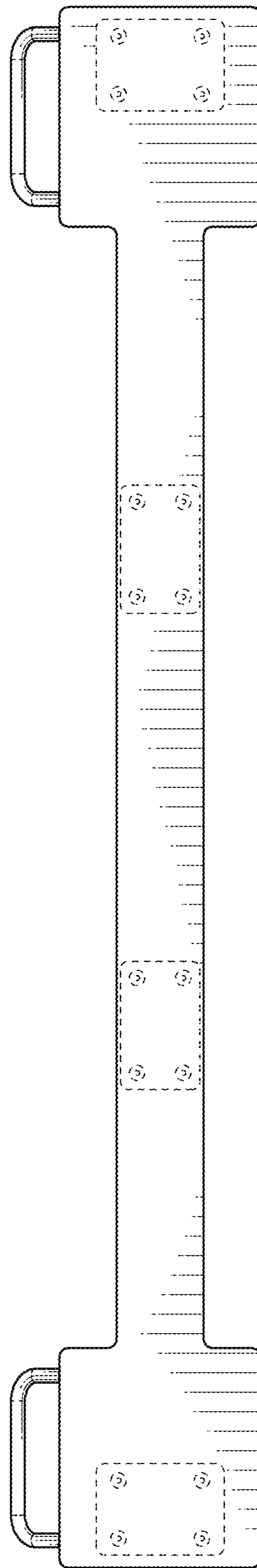


FIG. 7