



US00D872878S

(12) **United States Design Patent** (10) **Patent No.:** **US D872,878 S**
Reinhart et al. (45) **Date of Patent:** **** Jan. 14, 2020**

(54) INDUSTRIAL SAWHORSE	6,488,119 B1 * 12/2002 DuRapau B25H 1/06 182/153
(71) Applicant: Creative Plastic Concepts, LLC, Sycamore, OH (US)	7,415,933 B2 8/2008 Sagol 7,992,683 B2 8/2011 Stephens D708,351 S * 7/2014 Ken-Dror D25/67 9,347,229 B2 * 5/2016 Ken-Dror E04G 1/32
(72) Inventors: Nickolas Reinhart, Findlay, OH (US); Jacob H. Whitta, Findlay, OH (US)	10,124,479 B2 * 11/2018 Reinhart B25H 1/06 2013/0126271 A1 5/2013 Krespin et al. 2016/0221177 A1 * 8/2016 Reinhart B25H 1/06
(73) Assignee: Creative Plastic Concepts, LLC, Sycamore, OH (US)	2017/0307131 A1 10/2017 Brunner 2017/0312909 A1 11/2017 Brunner 2018/0001466 A1 1/2018 Brunner

(**) Term: **15 Years**

* cited by examiner

(21) Appl. No.: **29/639,751**

Primary Examiner — Gino Colan

(22) Filed: **Mar. 8, 2018**

(74) *Attorney, Agent, or Firm* — Jacob M. Ward; Ward Law Office LLC

(51) **LOC (12) Cl.** **25-04**

(52) **U.S. Cl.**

(57) **CLAIM**

USPC **D25/67**

The ornamental design for an industrial sawhorse, as shown and described.

(58) **Field of Classification Search**

DESCRIPTION

USPC D25/62, 66, 67, 68; 182/181.1, 224, 152,
182/225, 153, 129, 155, 182.4, 182.5
CPC ... B25H 1/00; B25H 1/12; B25H 1/06; B25H
1/16; B25H 1/04; B25H 1/14; B25H
1/08; B25H 1/0042; B25H 1/005
See application file for complete search history.

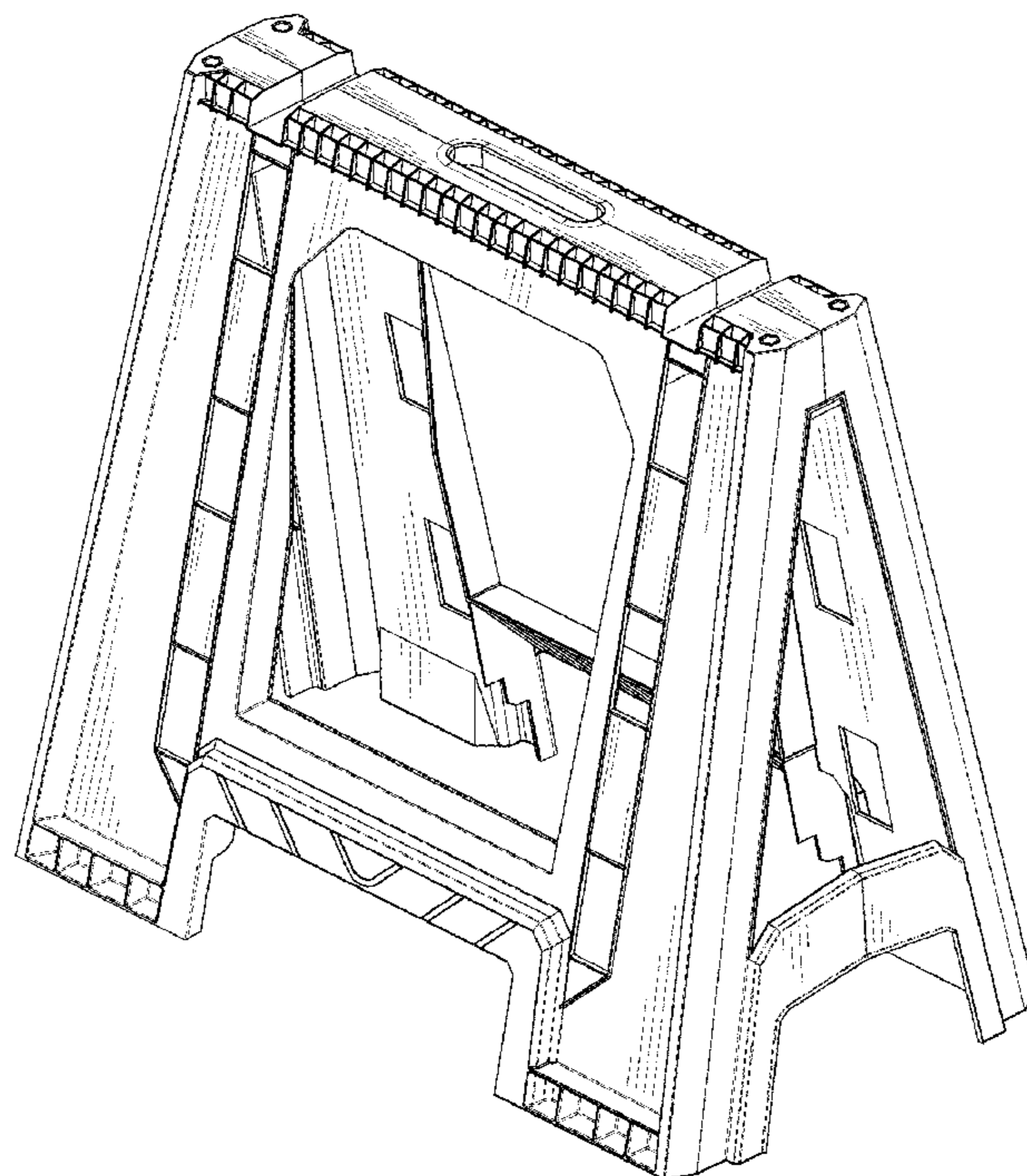
FIG. 1 is a top perspective view of an industrial sawhorse showing our new design;
FIG. 2 is a bottom perspective view thereof;
FIG. 3 is a front elevational view thereof, the rear elevational view being identical;
FIG. 4 is a right side elevational view thereof, the left side elevational view being identical;
FIG. 5 is a top plan view thereof; and,
FIG. 6 is a bottom plan view thereof.

(56) **References Cited**

U.S. PATENT DOCUMENTS

D392,746 S * 3/1998 Dickinson D25/67
D425,210 S * 5/2000 DuRapau D25/67
6,164,413 A 12/2000 Sagol
6,286,824 B1 9/2001 Sagol

1 Claim, 5 Drawing Sheets



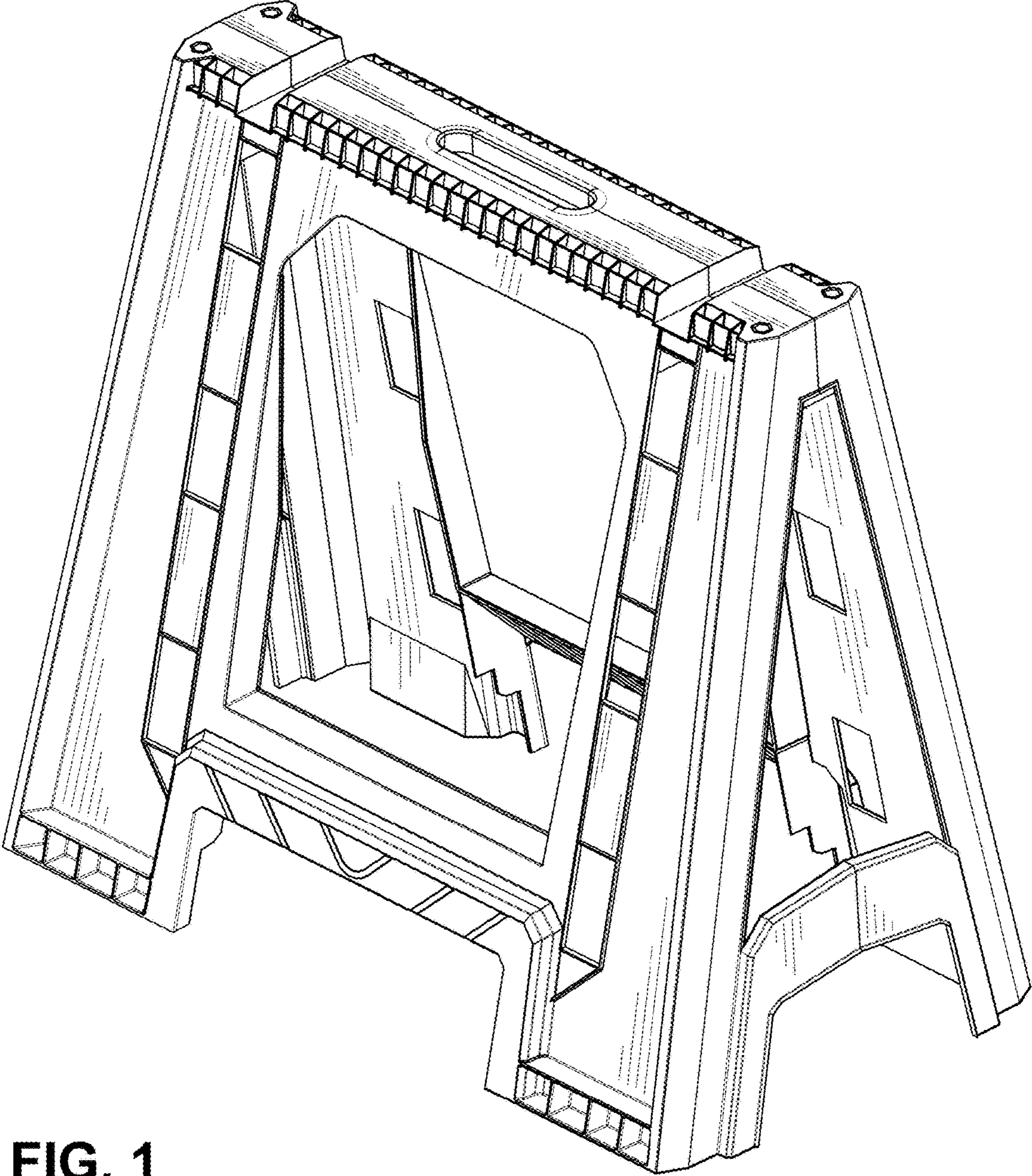


FIG. 1

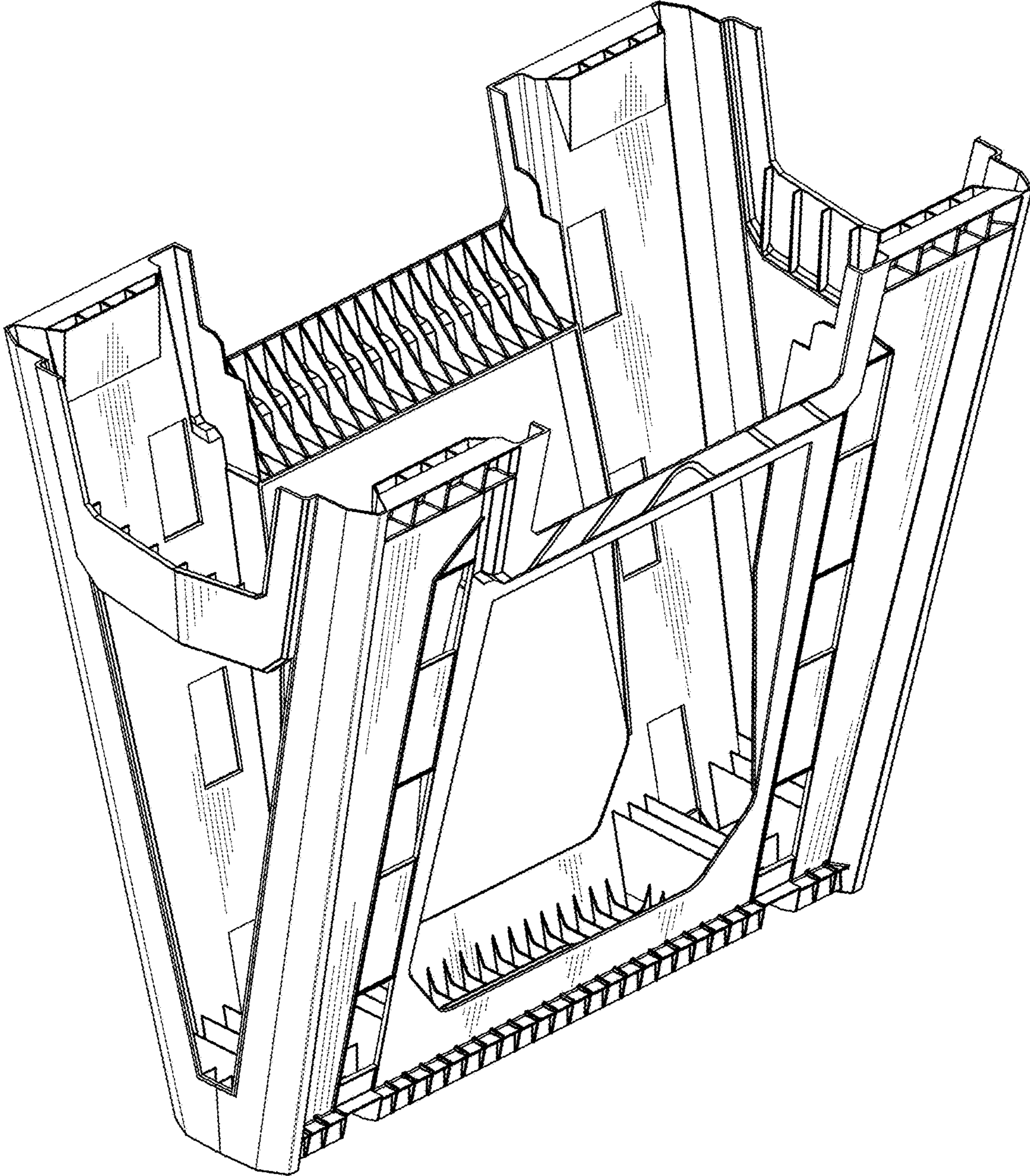


FIG. 2

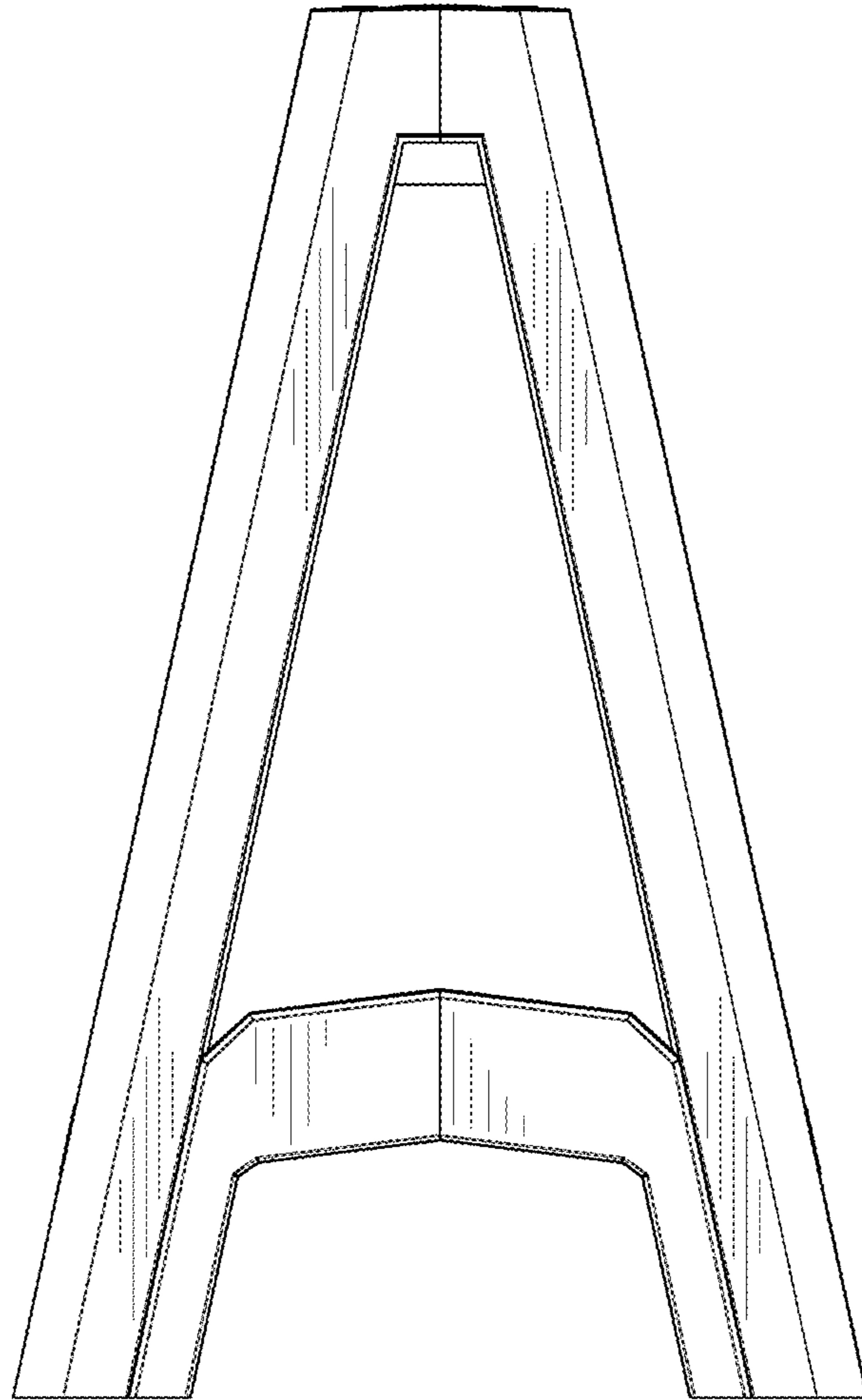


FIG. 3

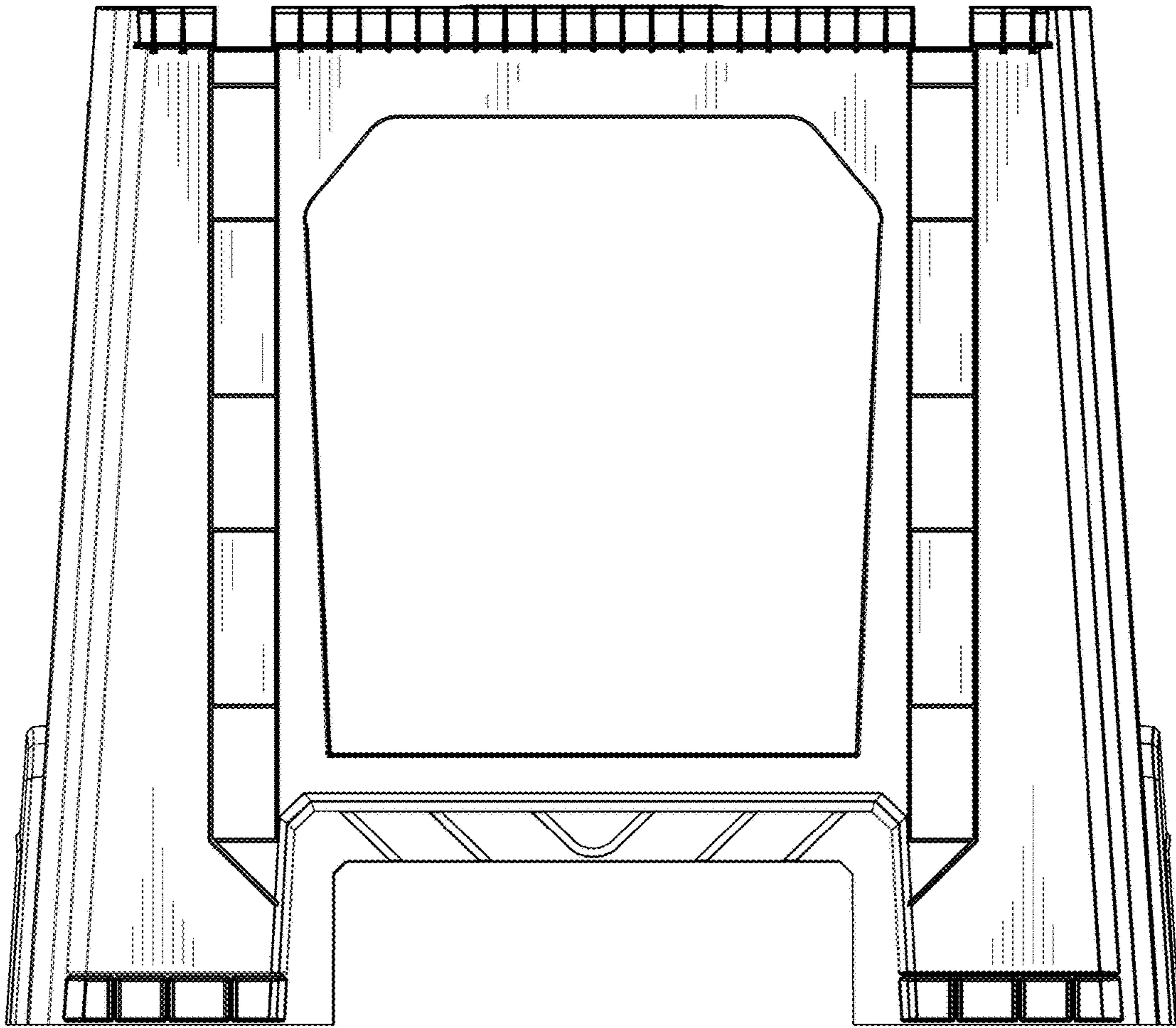


FIG. 4

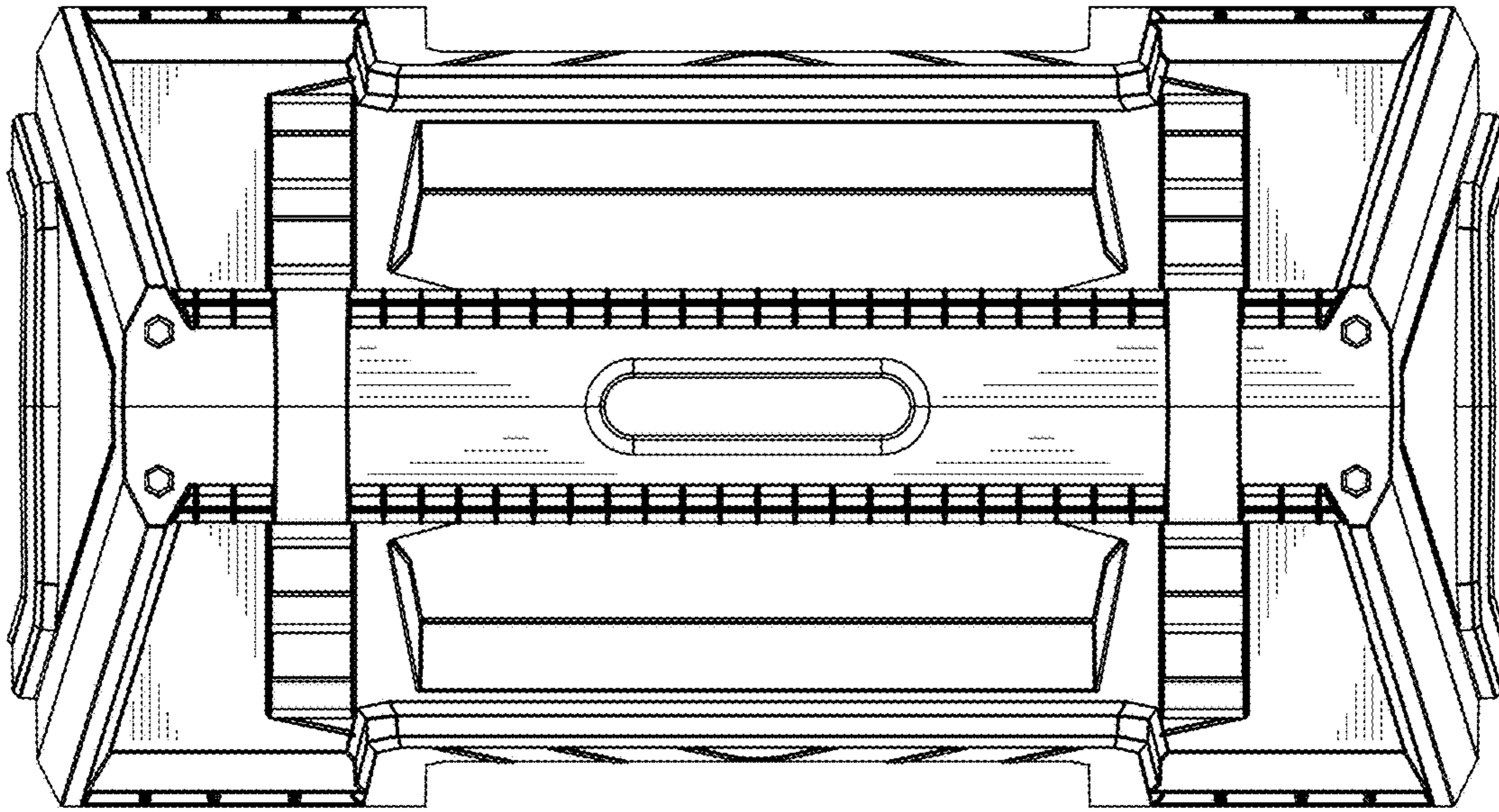


FIG. 5

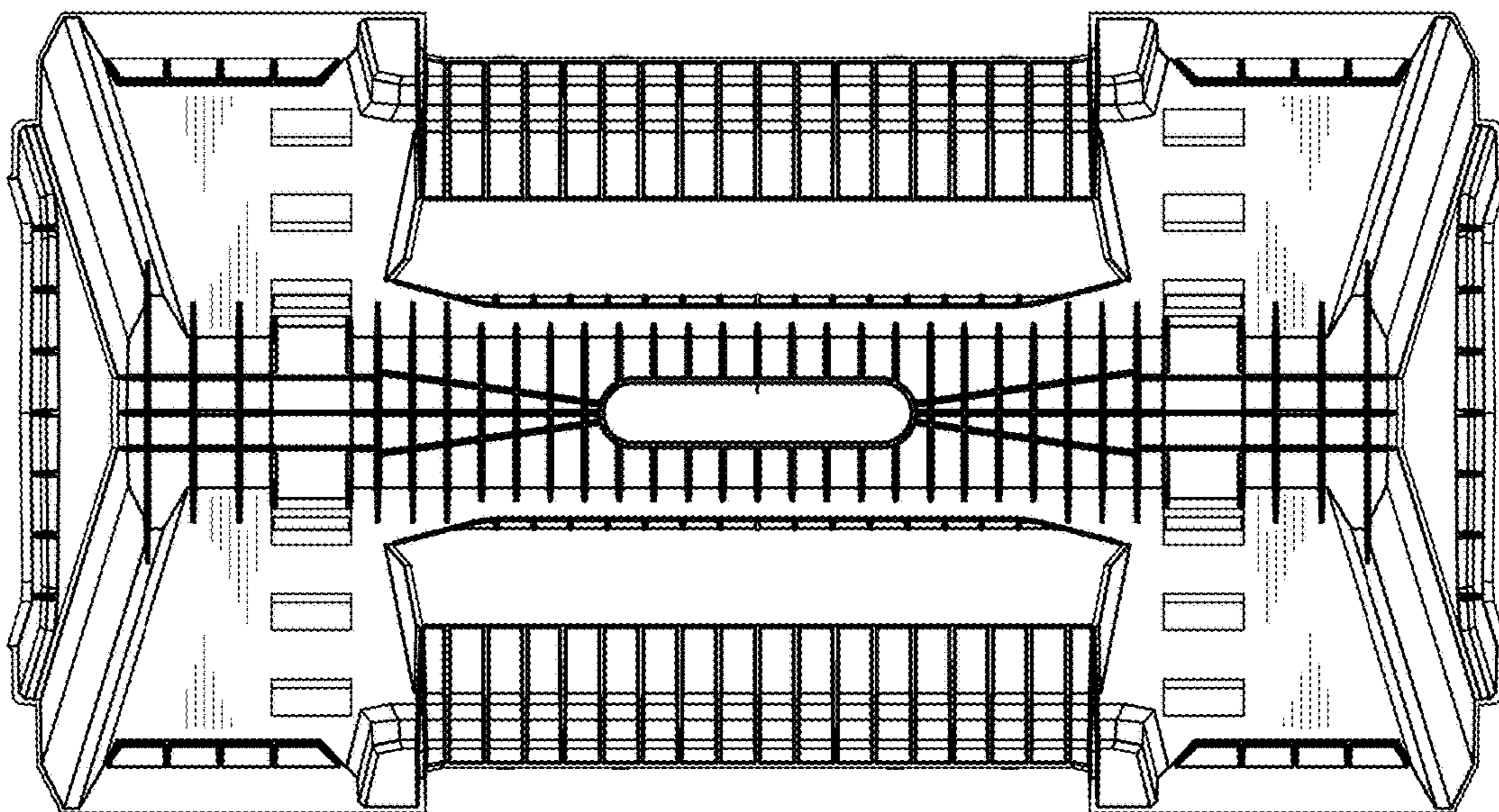


FIG. 6