



US00D872877S

(12) **United States Design Patent**  
**Hanlon**

(10) **Patent No.:** **US D872,877 S**

(45) **Date of Patent:** **\*\* Jan. 14, 2020**

(54) **COMBINATION SAWHORSE AND POWER TOOL STAND**

(71) Applicant: **JS Products, Inc.**, Las Vegas, NV (US)

(72) Inventor: **Jared W. Hanlon**, Las Vegas, NV (US)

(73) Assignee: **JS Products, Inc.**, Las Vegas, NV (US)

(\*\*) Term: **15 Years**

(21) Appl. No.: **29/628,472**

(22) Filed: **Dec. 5, 2017**

(51) **LOC (12) Cl.** ..... **25-04**

(52) **U.S. Cl.**

USPC ..... **D25/67; D15/140**

(58) **Field of Classification Search**

USPC .... D25/62, 66, 67, 68; 182/181.1, 224, 152,  
182/225, 153, 129, 155, 182.4, 182.5;  
D15/133, 134, 140, 141; 83/471.1-471.3,  
83/477.2; 144/286.1-286.5, 287, 285

CPC ... B25H 1/06; B25H 1/16; B25H 1/04; B25H  
1/14; B25H 1/08; B25H 1/00; B25H  
1/0042; B25H 1/005

See application file for complete search history.

(56) **References Cited**

**U.S. PATENT DOCUMENTS**

D471,287 S \* 3/2003 Somerville ..... D25/67  
D489,738 S \* 5/2004 Radermacher ..... D15/140

7,222,648 B2 \* 5/2007 Liu ..... B23D 47/02  
144/286.5

D549,749 S \* 8/2007 Francis ..... D15/141

7,481,254 B2 \* 1/2009 Welsh ..... B25H 1/04  
144/286.1

8,528,870 B2 \* 9/2013 Liu ..... B23D 47/025  
144/286.5

8,684,052 B2 \* 4/2014 Breitenbach ..... B25H 1/06  
144/286.1

\* cited by examiner

*Primary Examiner* — Gino Colan

(74) *Attorney, Agent, or Firm* — Weide & Miller, Ltd.

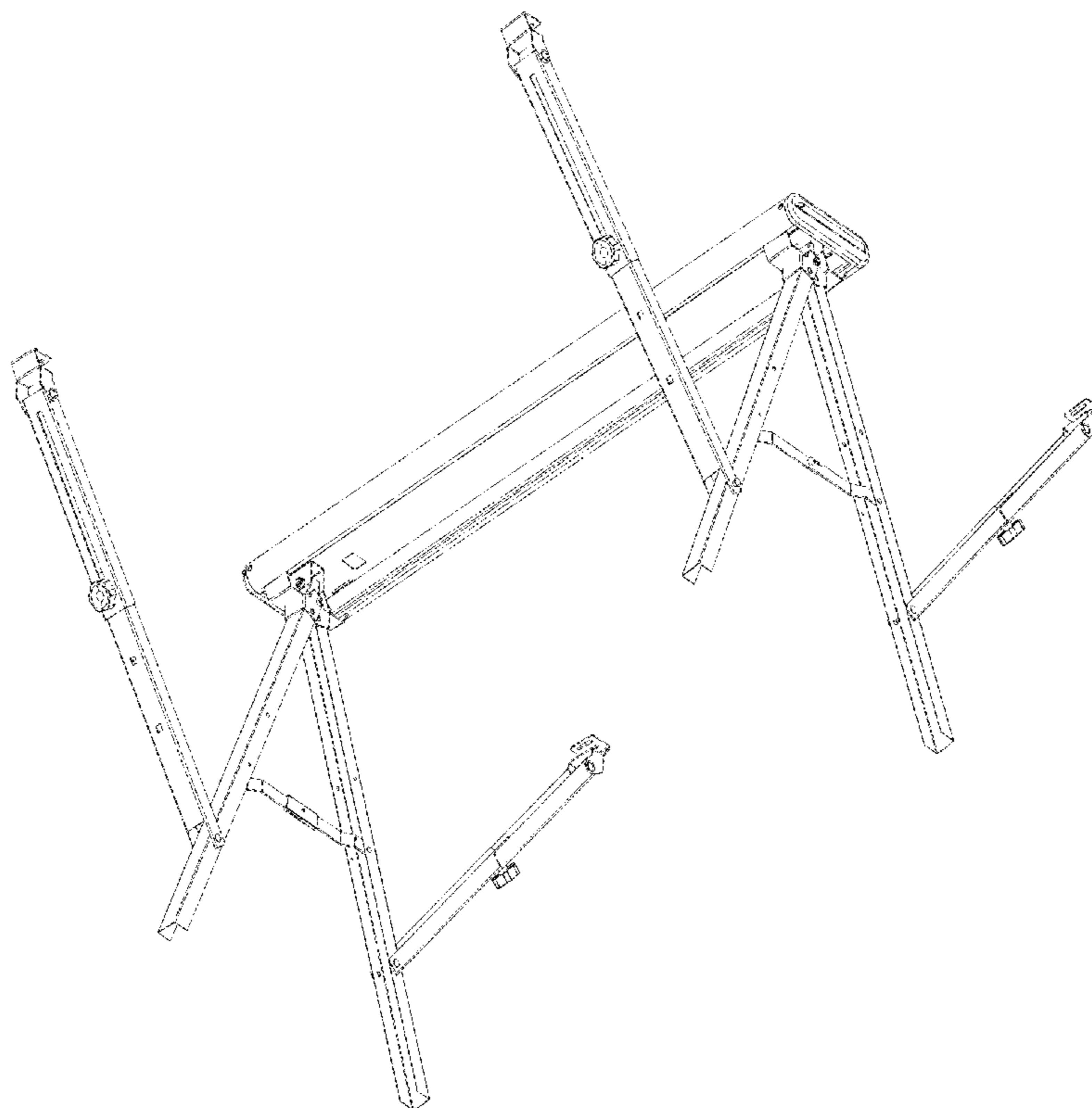
(57) **CLAIM**

The ornamental design for a combination sawhorse and power tool stand, as shown and described.

**DESCRIPTION**

FIG. 1 is a bottom perspective view of a combination sawhorse and power tool stand showing my new design; FIG. 2 is a top perspective view thereof; FIG. 3 is a front elevation view thereof; FIG. 4 is a back elevation view thereof; FIG. 5 is a left side elevation view thereof; FIG. 6 is a right side elevation view thereof; FIG. 7 is a top plan view thereof; and, FIG. 8 is a bottom plan view thereof.

**1 Claim, 6 Drawing Sheets**



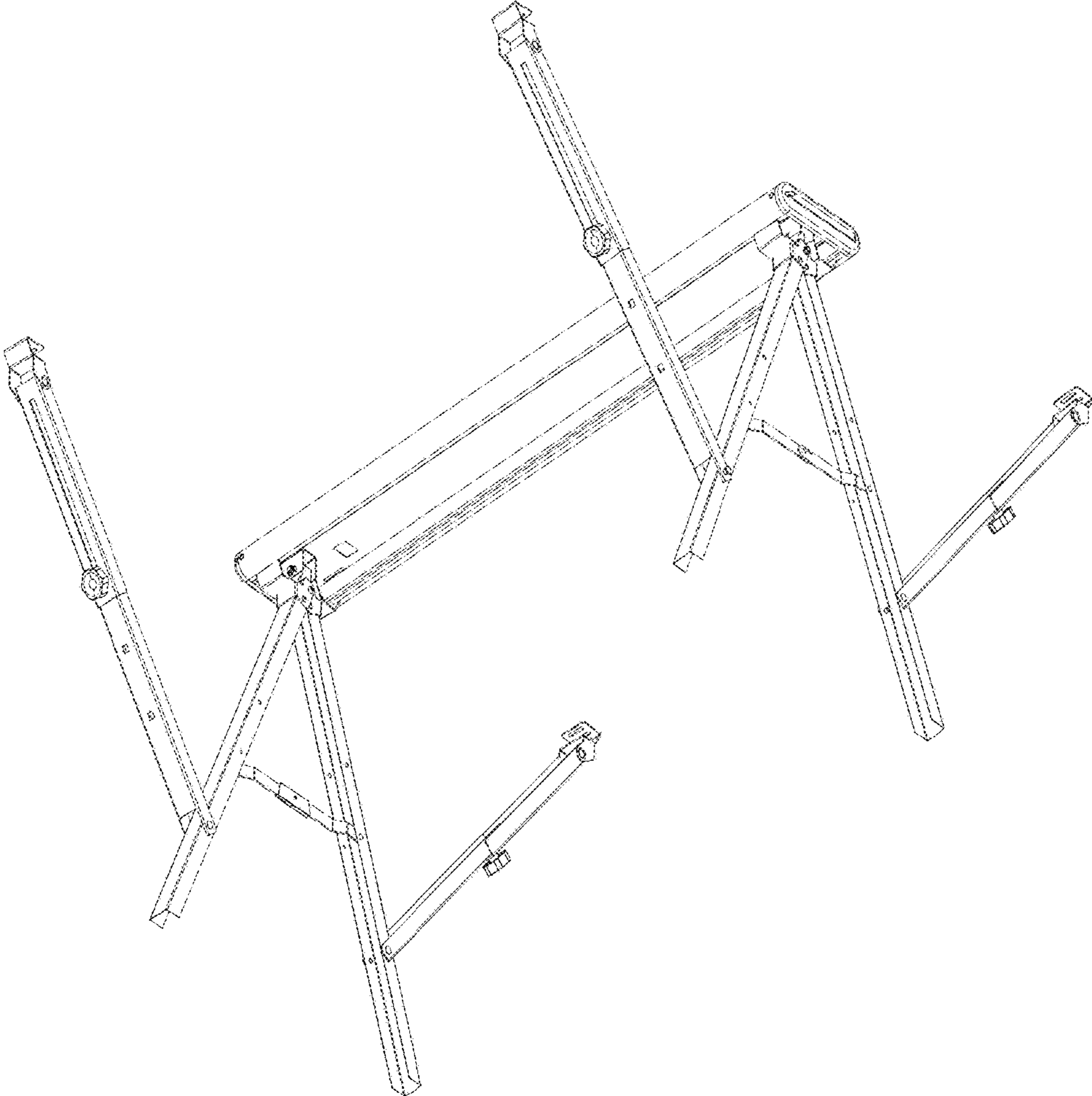


FIG. 1

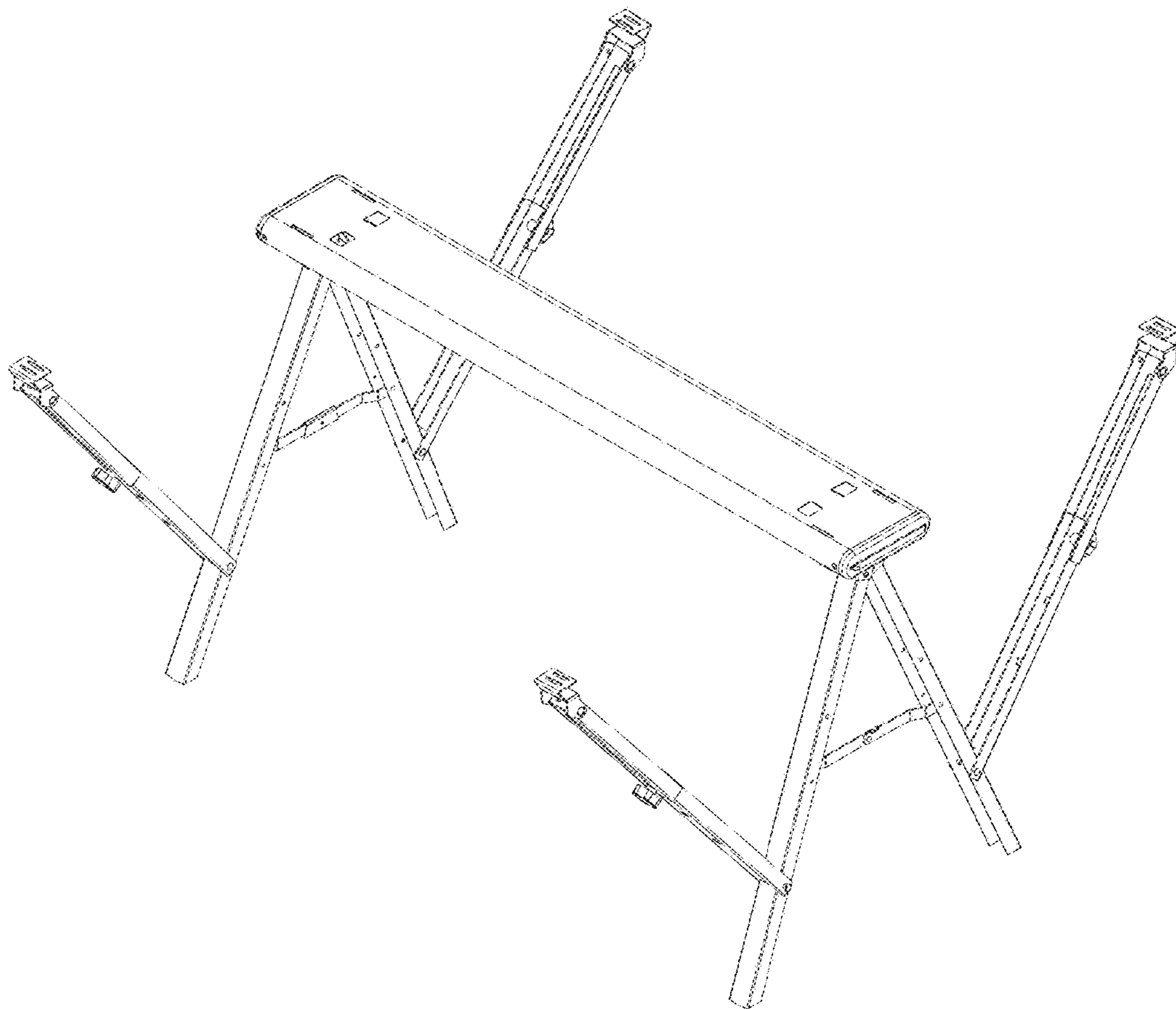


FIG. 2

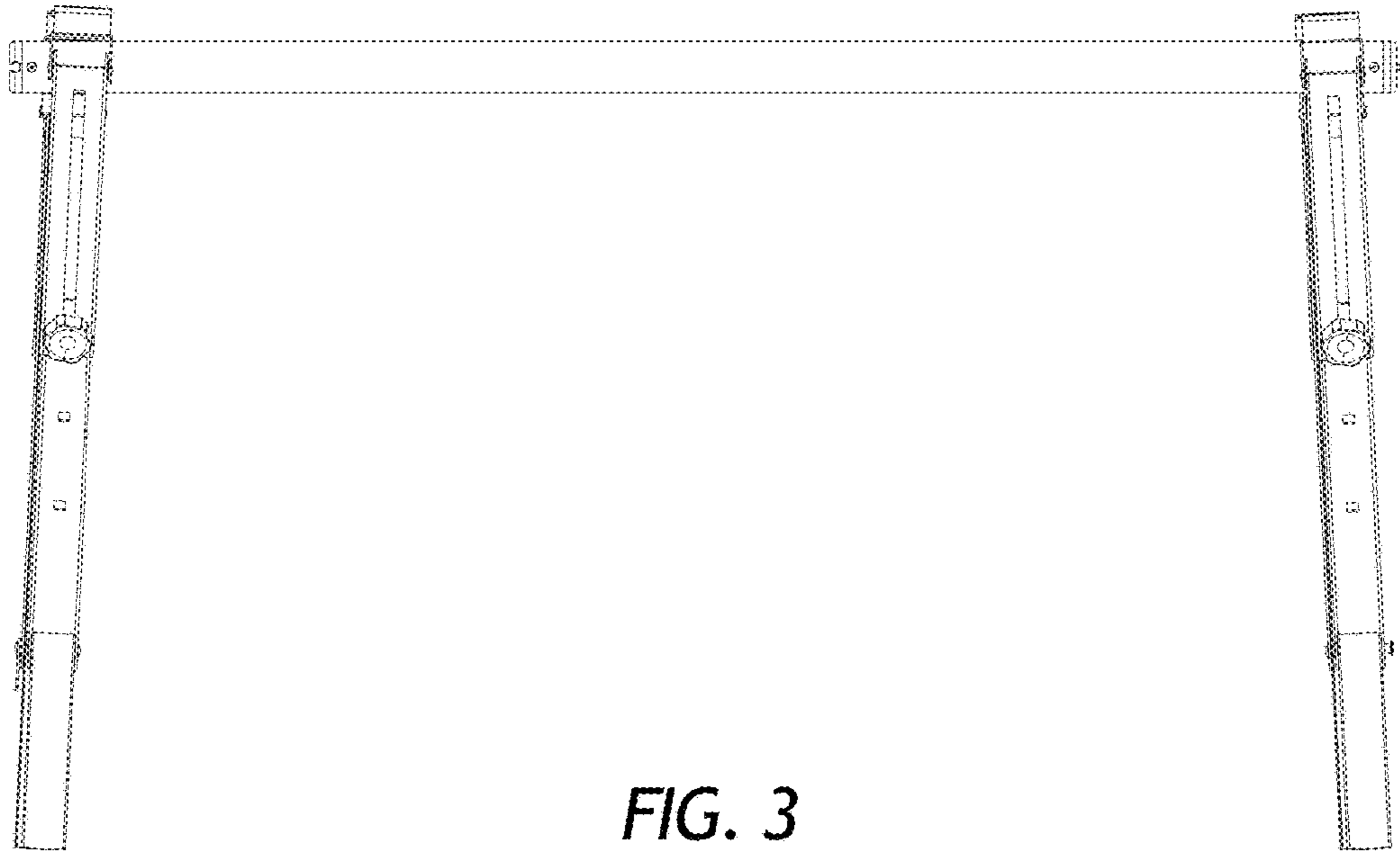


FIG. 3

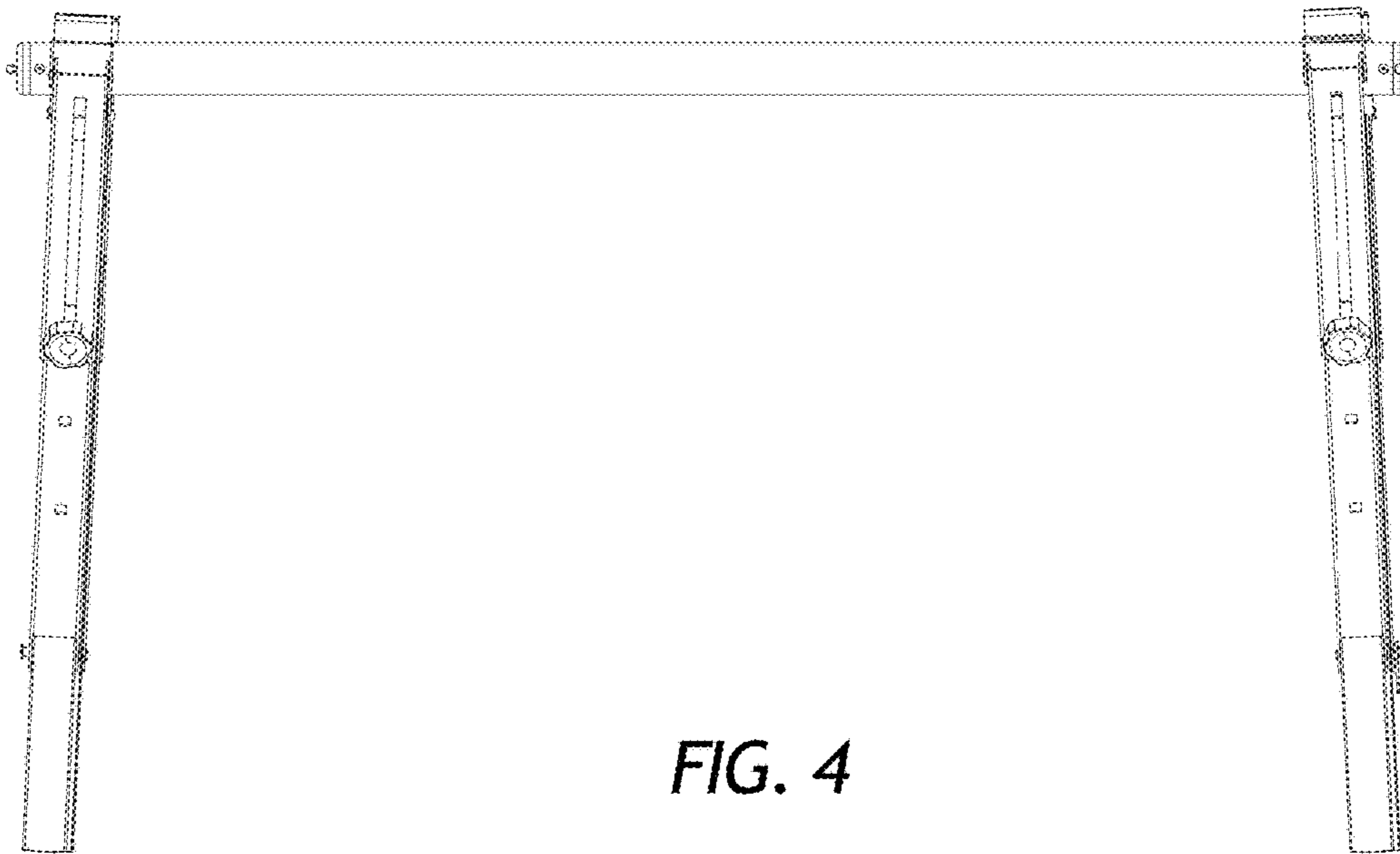


FIG. 4

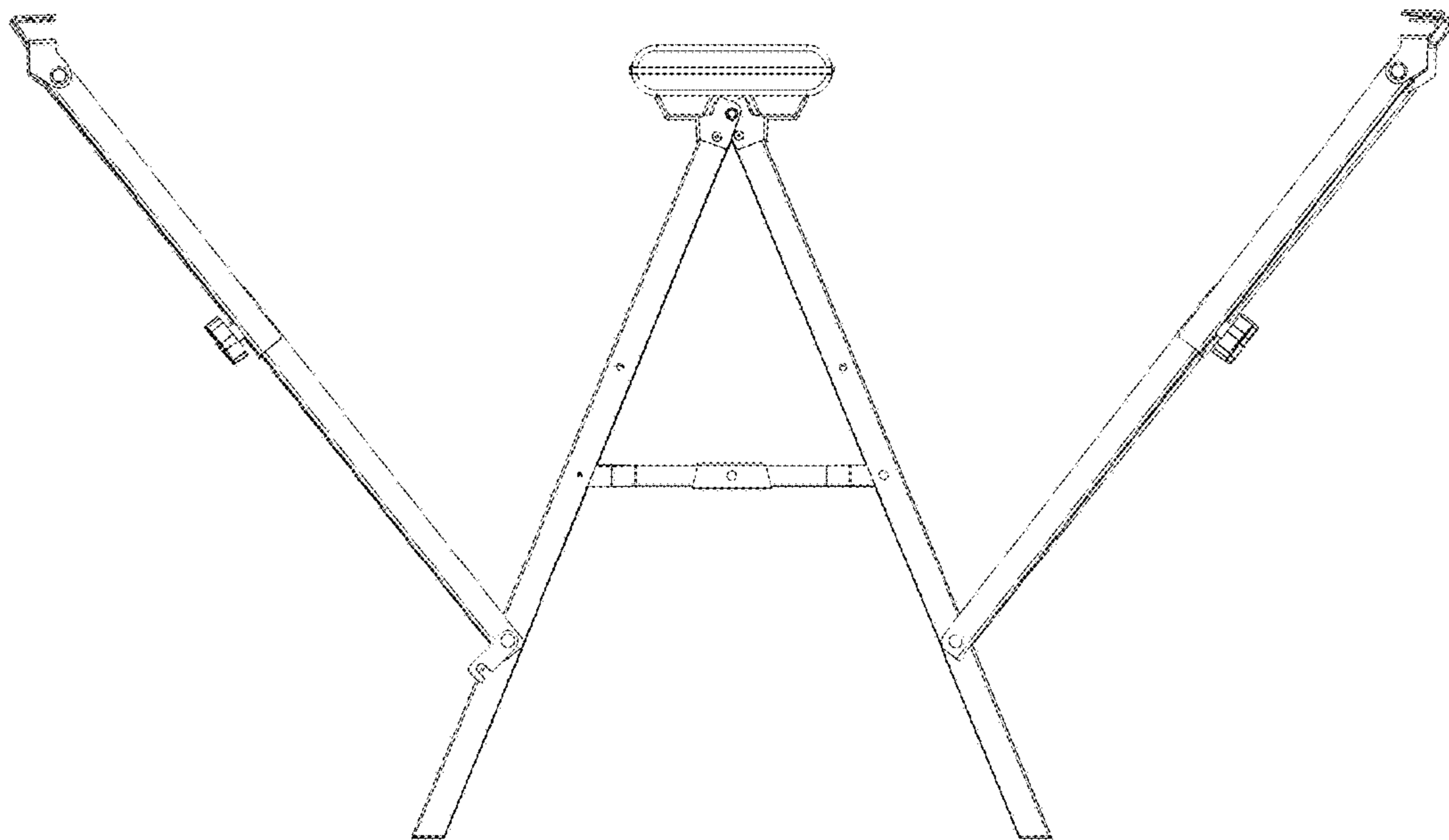


FIG. 5

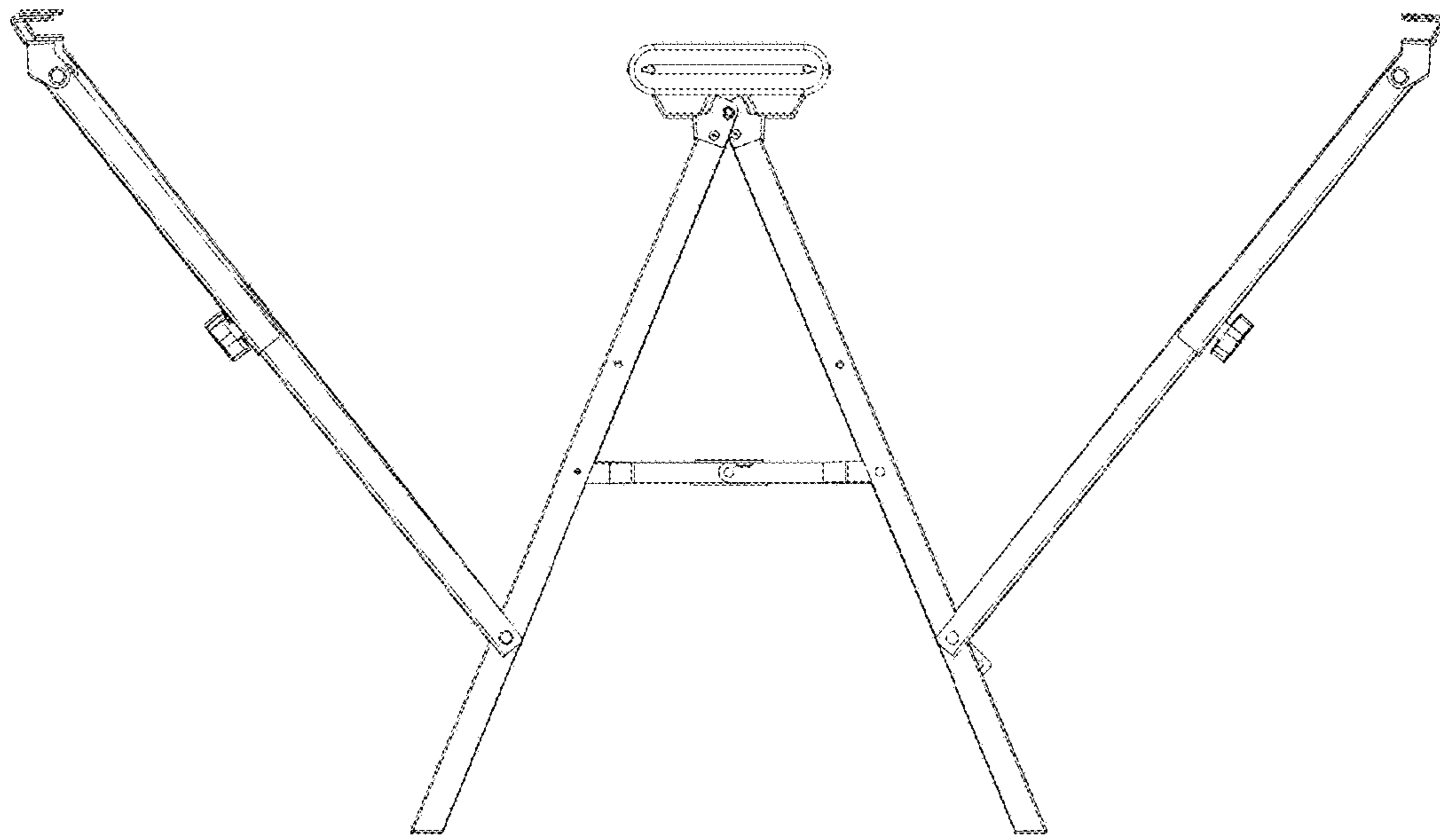


FIG. 6

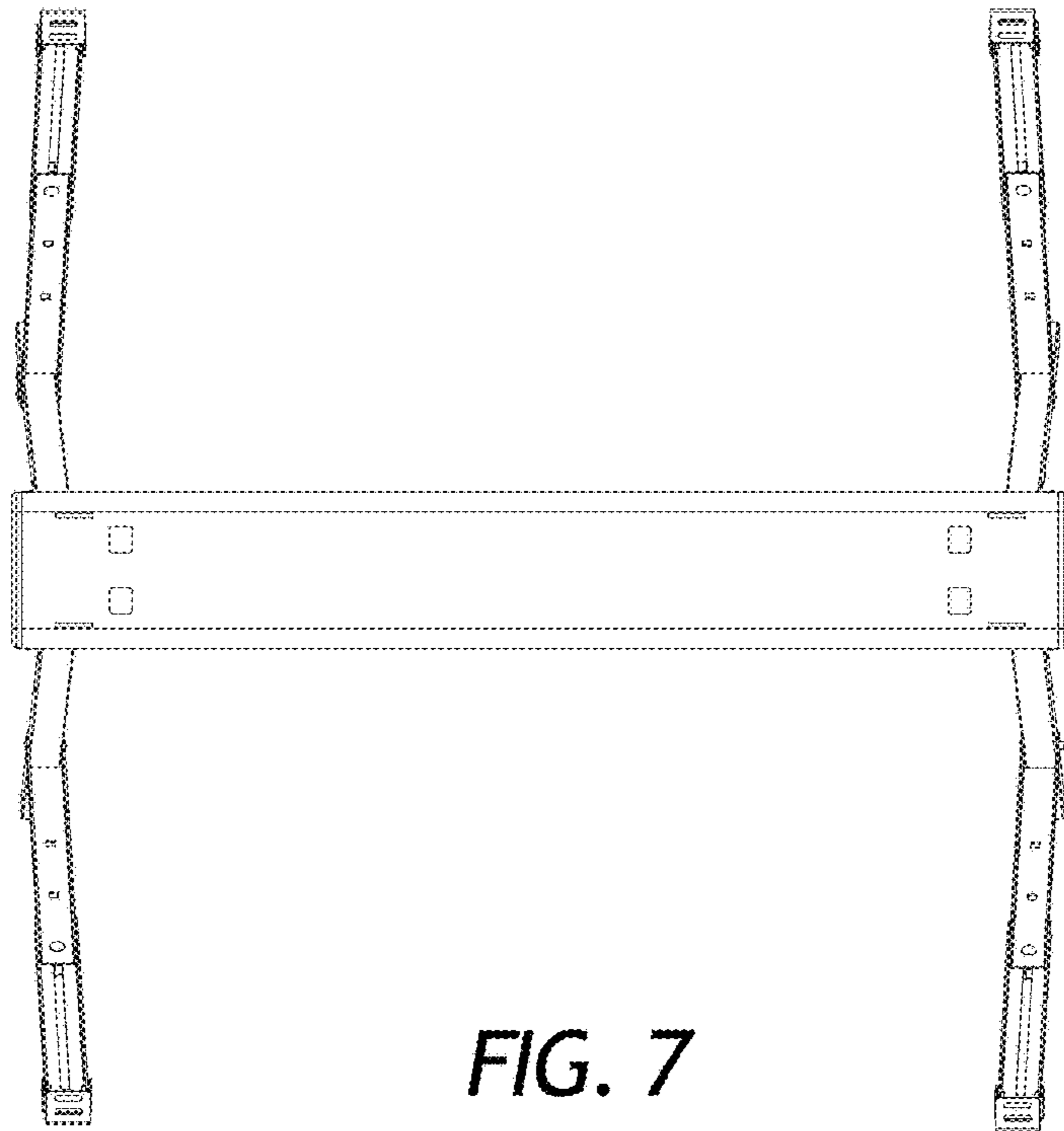


FIG. 7

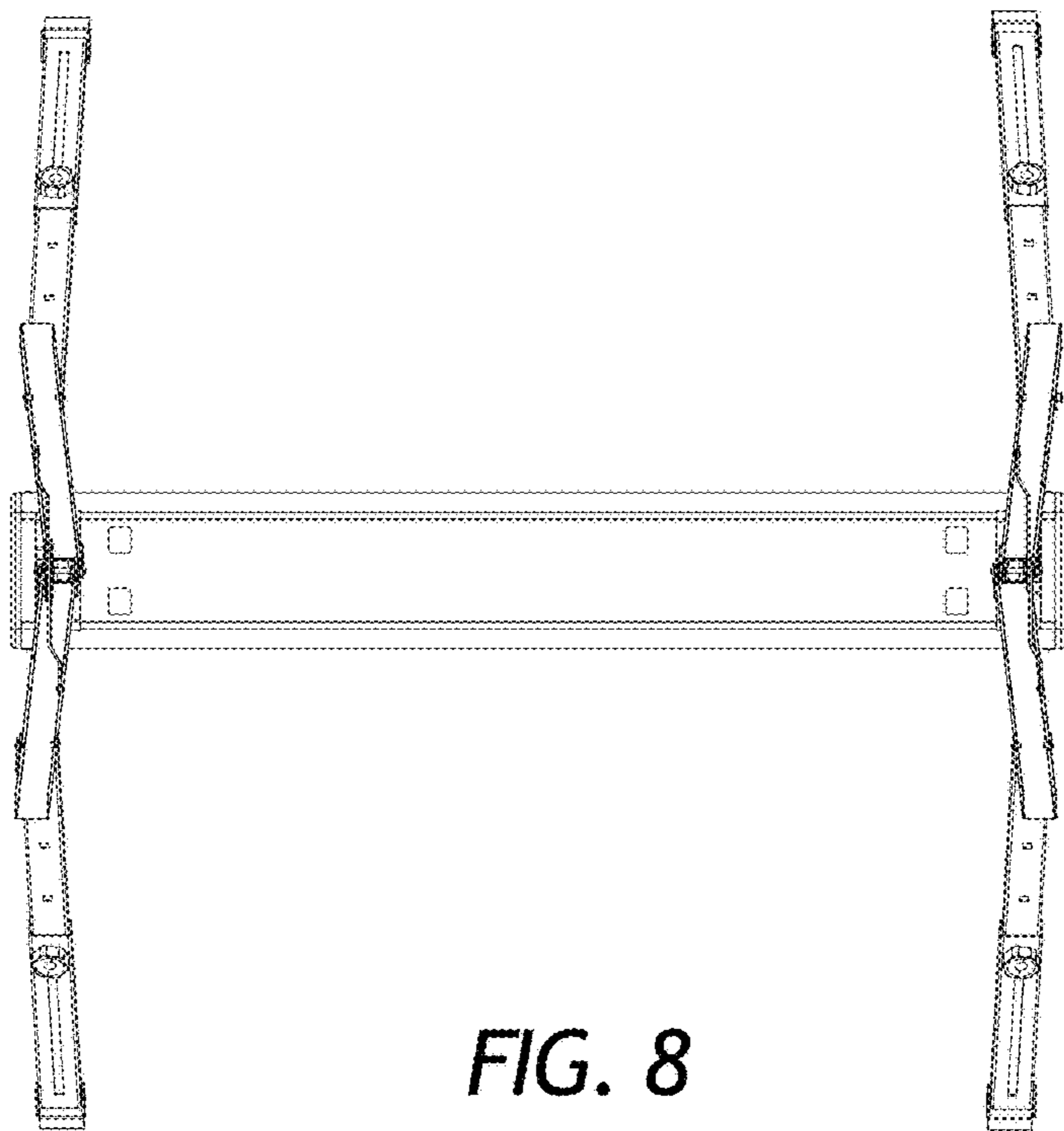


FIG. 8