



US00D872876S

(12) **United States Design Patent**
Leng

(10) **Patent No.:** **US D872,876 S**
(45) **Date of Patent:** **** Jan. 14, 2020**

(54) **FOLDING LADDER**
(71) Applicant: **NEW-TEC INTEGRATION**
(XIAMEN) CO., LTD., Xiamen, Fujian
(CN)

D466,225 S * 11/2002 Rosko D25/64
D838,386 S * 1/2019 Woodward D25/64
10,221,624 B2 * 3/2019 Leng E06C 1/20
2005/0029050 A1 * 2/2005 Baumgartner E06C 1/393
182/165
2011/0024234 A1 * 2/2011 Lin E06C 1/387
182/161

(72) Inventor: **Luhao Leng**, Fujian (CN)
(73) Assignee: **NEW-TEC INTEGRATION**
(XIAMEN) CO., LTD., Xiamen (CN)

* cited by examiner

(**) Term: **15 Years**

Primary Examiner — Gino Colan

(21) Appl. No.: **29/654,675**

(74) *Attorney, Agent, or Firm* — Rabin & Berdo, P.C.

(22) Filed: **Jun. 26, 2018**

(57) **CLAIM**

The ornamental design for a folding ladder, as shown.

(30) **Foreign Application Priority Data**

DESCRIPTION

Dec. 29, 2017 (CN) 2017 3 0683868

(51) **LOC (12) Cl.** **25-04**

(52) **U.S. Cl.**
USPC **D25/64**

(58) **Field of Classification Search**
USPC D25/62-65, 68, 69; 182/121, 172, 125,
182/116, 102, 26, 228.2, 222, 129, 156,
182/127, 120, 104, 25, 117, 124, 163,
182/165, 152, 162, 115, 194, 21-23, 161;
D6/349, 350, 352, 353
CPC ... E06C 1/393; E06C 1/39; E06C 7/16; E06C
1/381; E06C 1/383; E06C 1/387
See application file for complete search history.

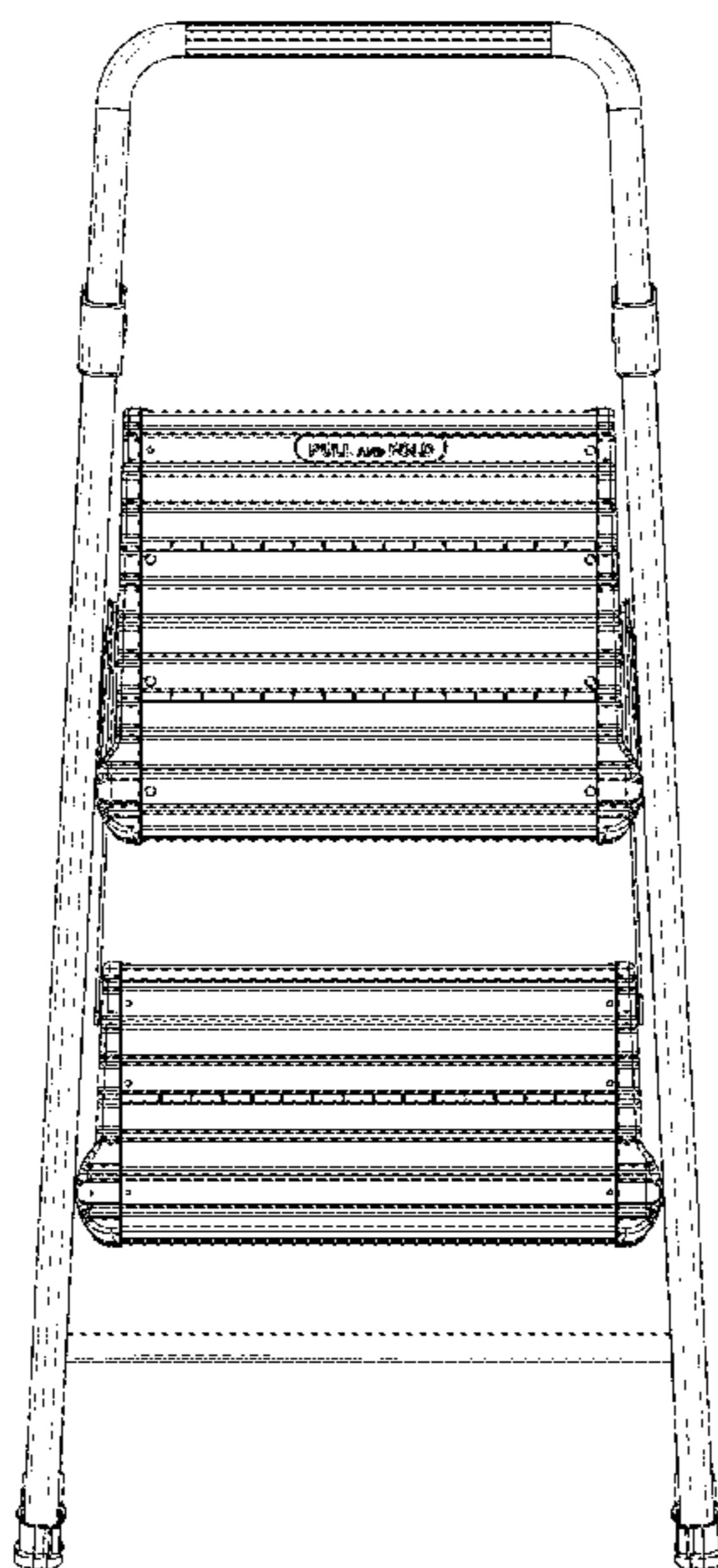
FIG. 1. is a front view of a folding ladder showing my new design;
FIG. 2. is a rear view thereof,
FIG. 3. is a left side view thereof;
FIG. 4. is a right side view thereof;
FIG. 5. is a top plan view thereof;
FIG. 6. is a bottom plan view thereof;
FIG. 7. is a perspective view thereof; and
FIG. 8. is another perspective view thereof.
FIG. 9. is a front view of a second embodiment of my new design;
FIG. 10. is a rear view thereof,
FIG. 11. is a left side view thereof;
FIG. 12. is a right side view thereof;
FIG. 13. is a top plan view thereof;
FIG. 14. is a bottom plan view thereof;
FIG. 15. is a perspective view thereof; and,
FIG. 16. is another perspective view thereof.

(56) **References Cited**

U.S. PATENT DOCUMENTS

5,992,567 A * 11/1999 Chiu E06C 1/387
182/161
6,012,548 A * 1/2000 Kim E06C 1/387
182/156

1 Claim, 16 Drawing Sheets



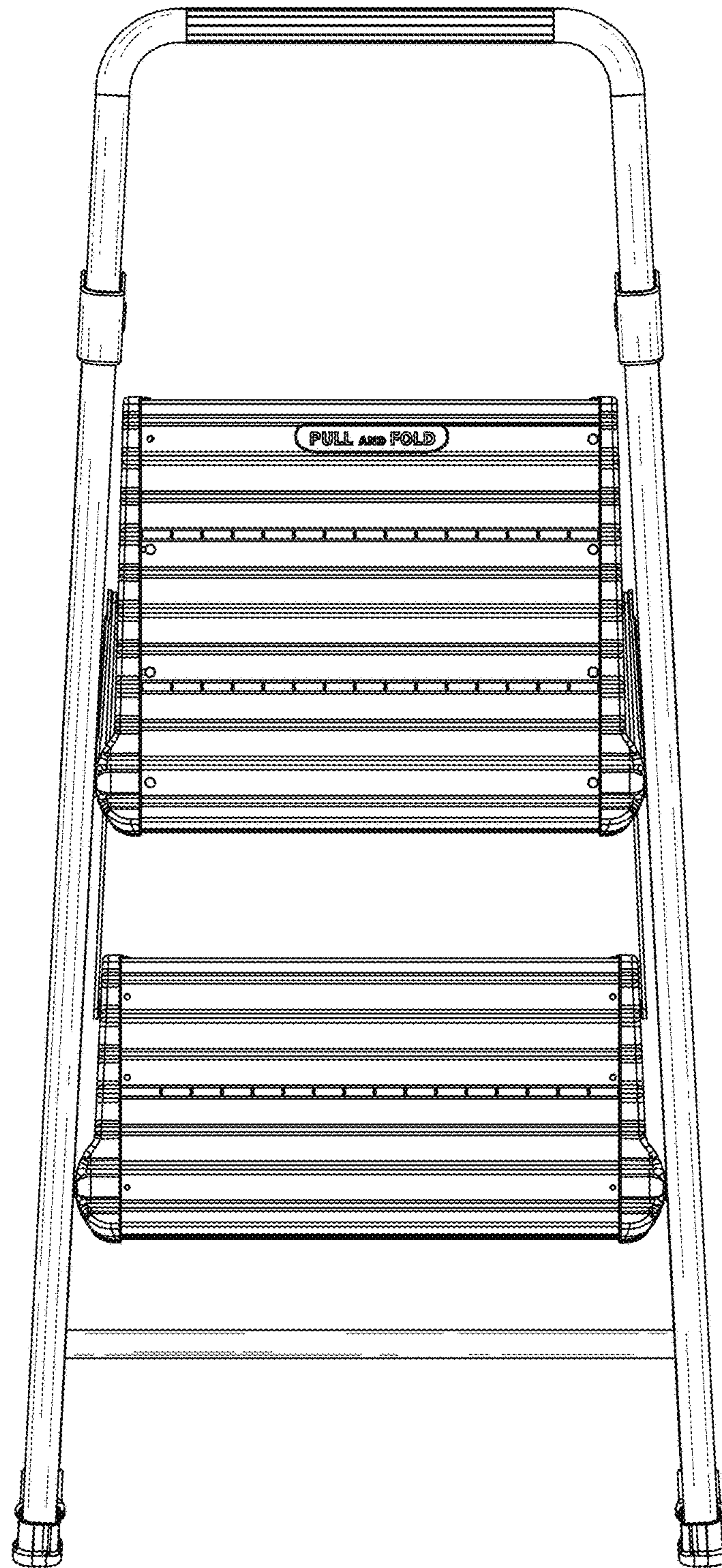


Fig. 1

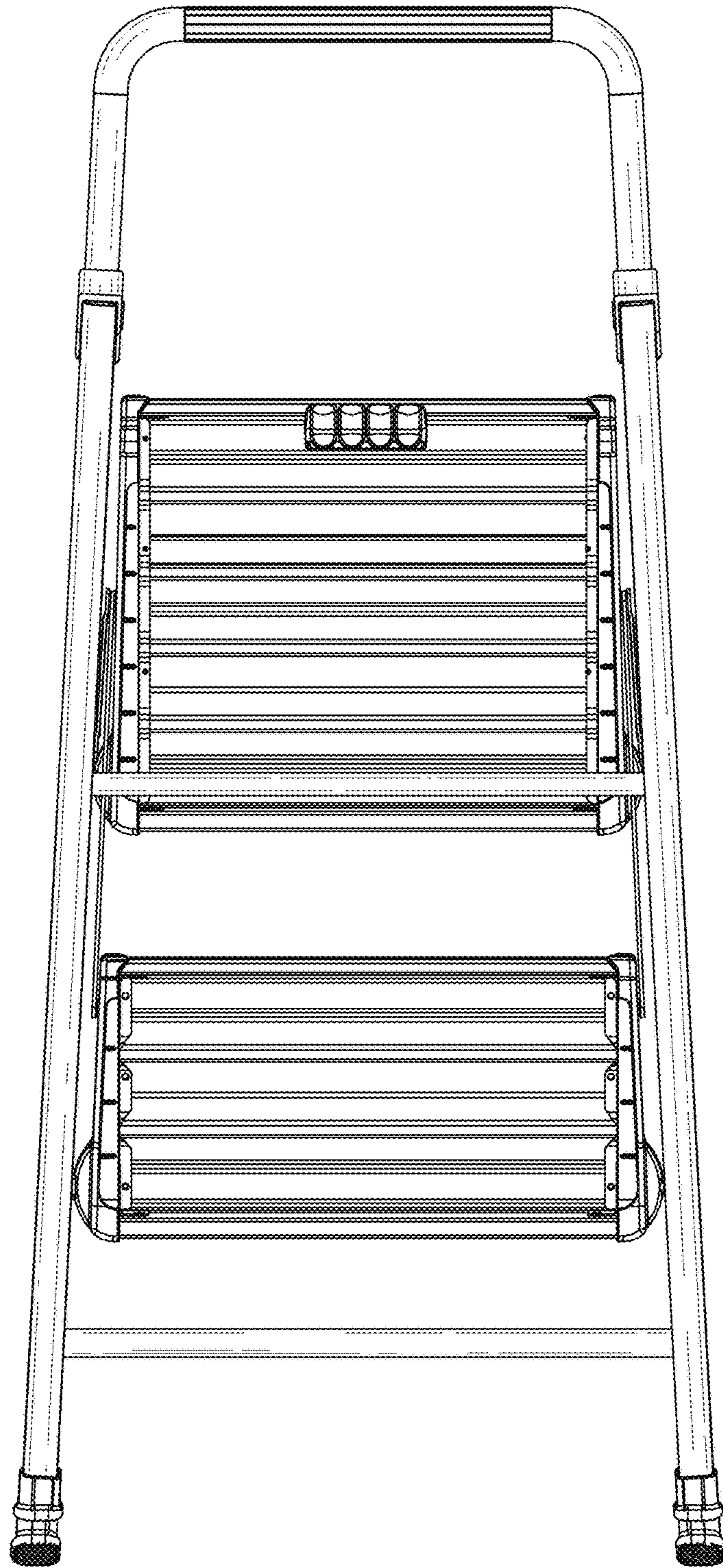


Fig. 2

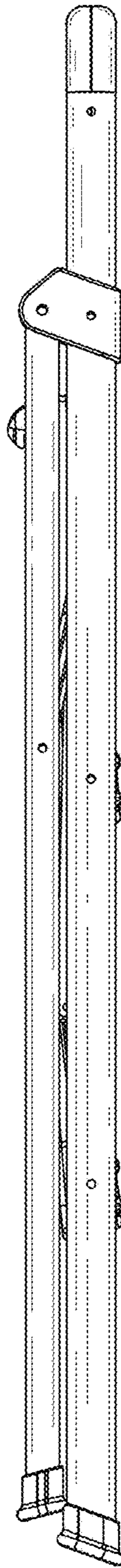


Fig. 3

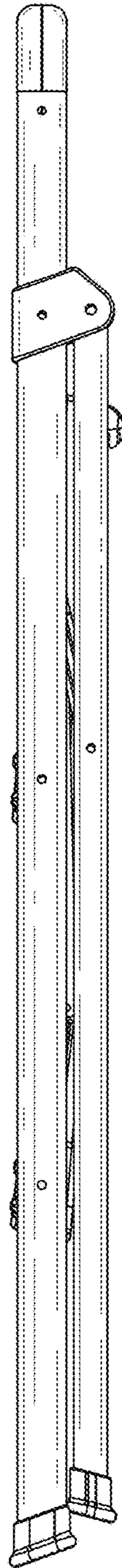


Fig. 4

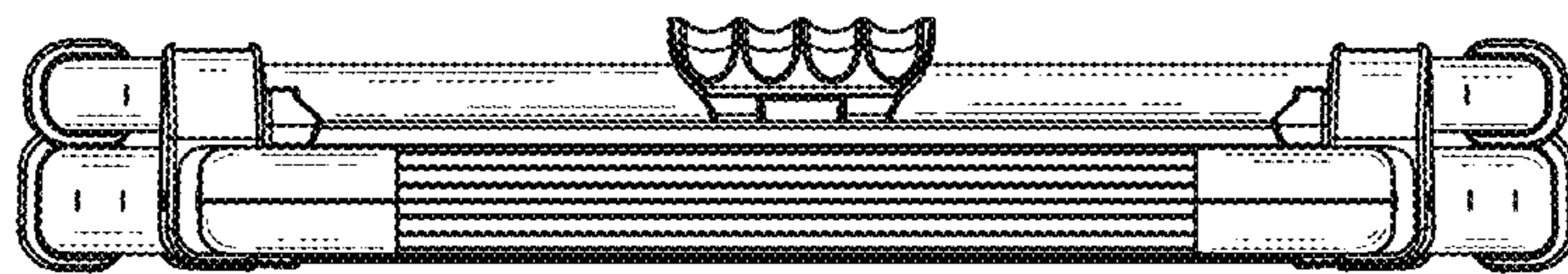


Fig. 5

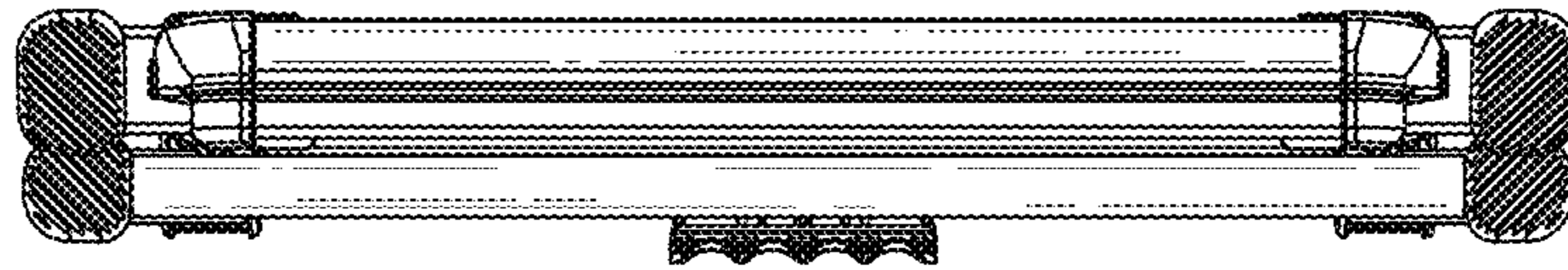


Fig. 6

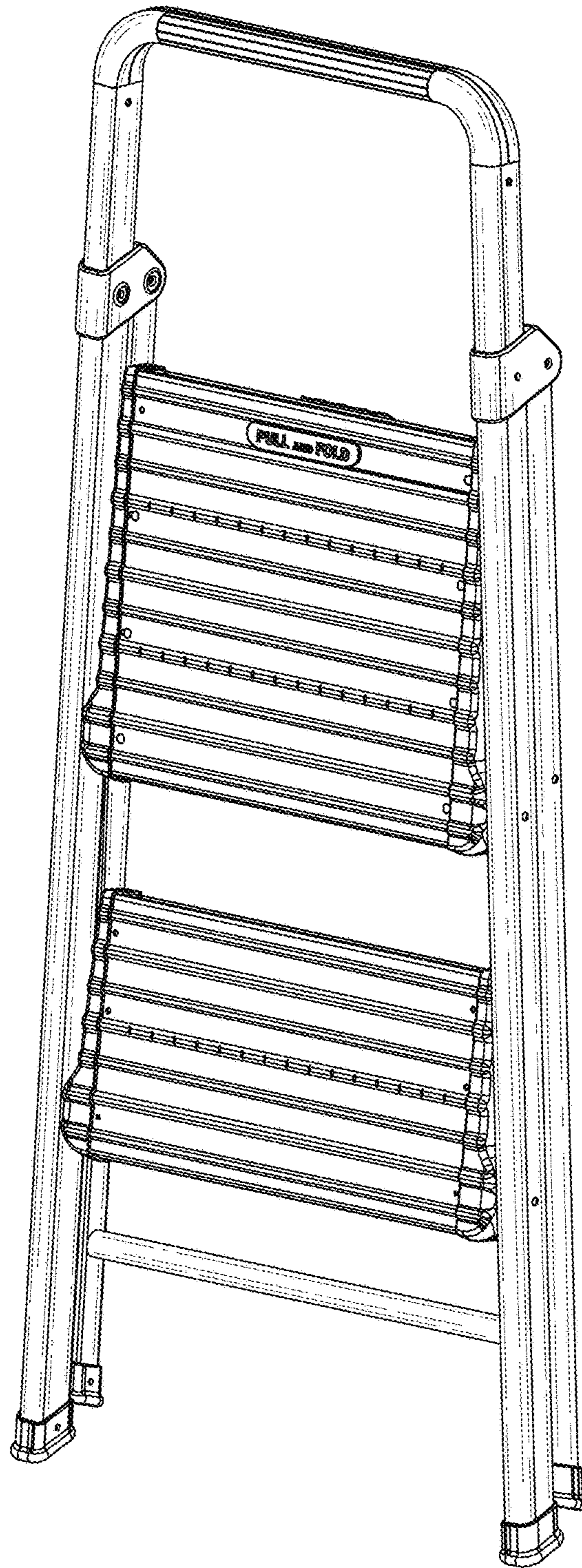


Fig. 7

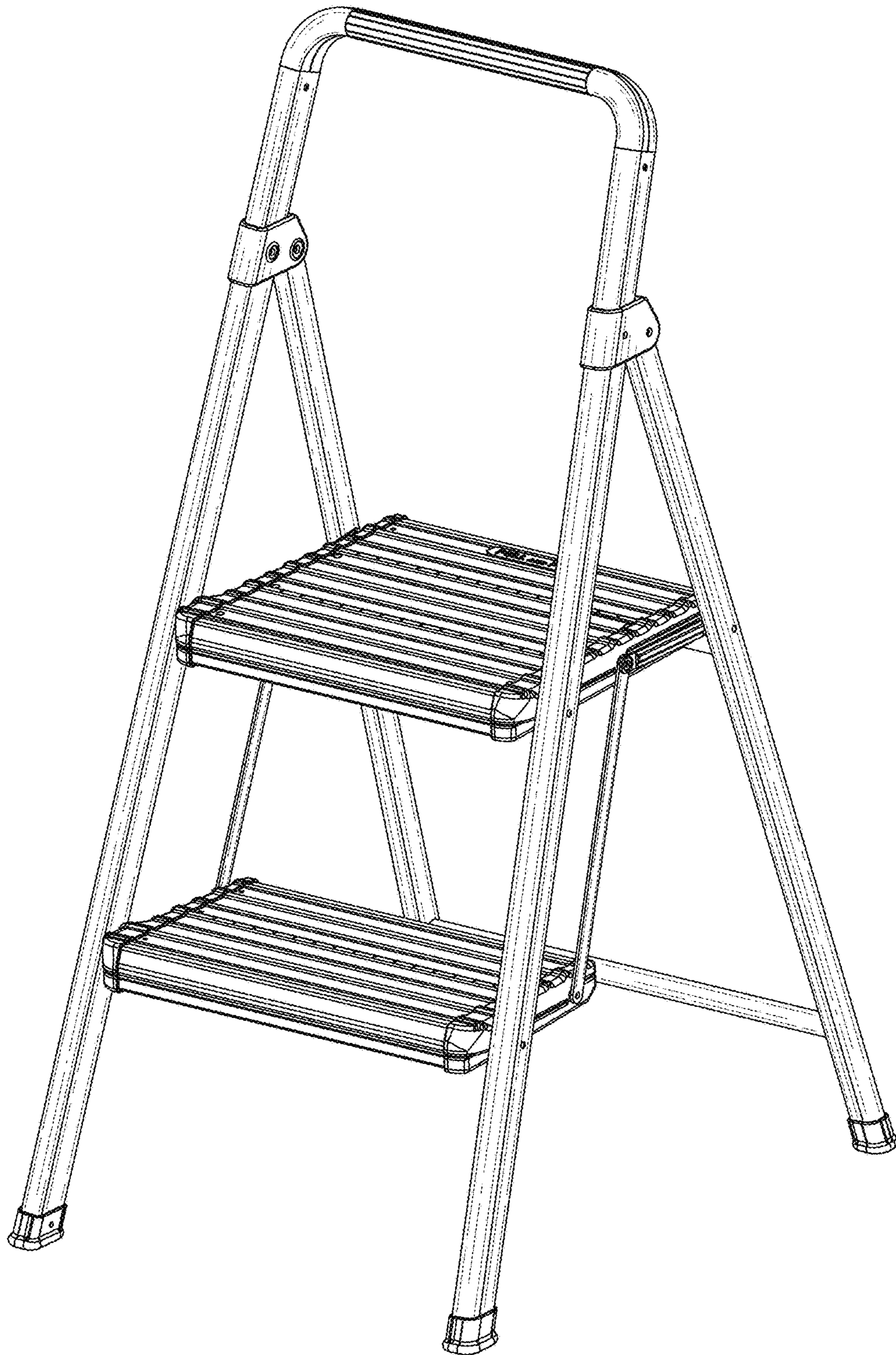


Fig. 8

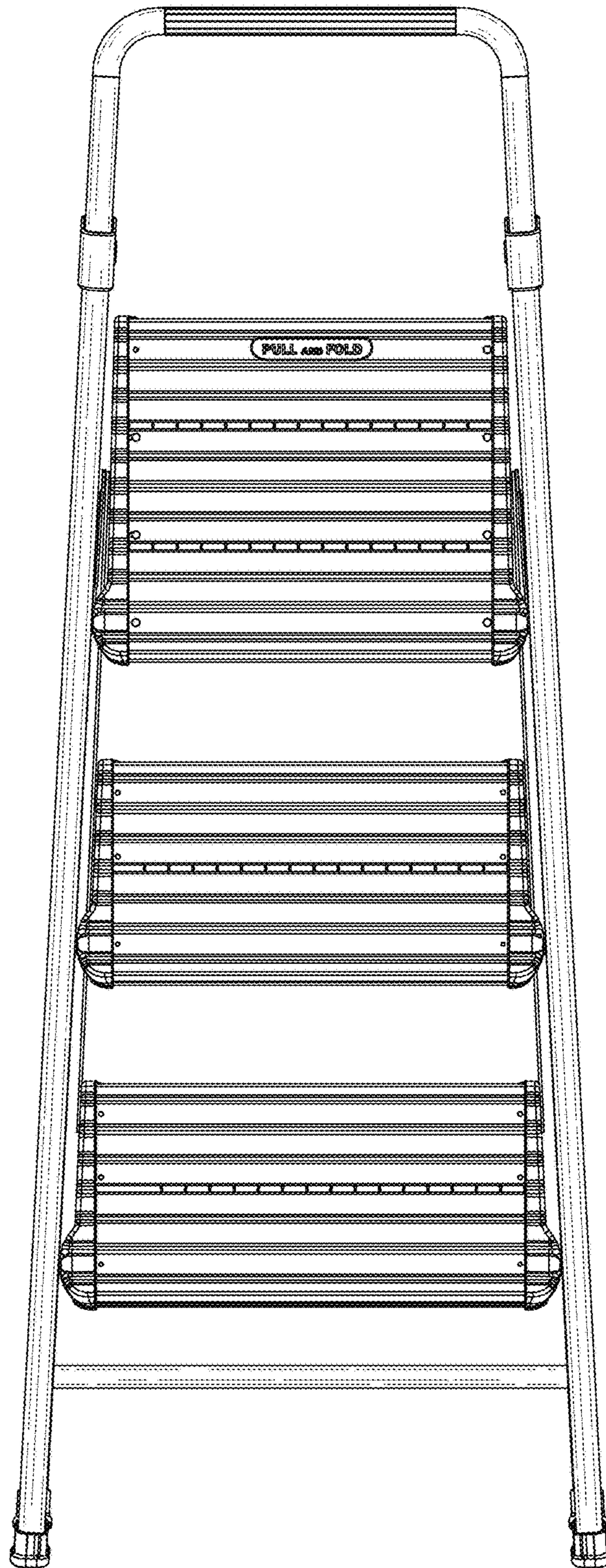


Fig. 9

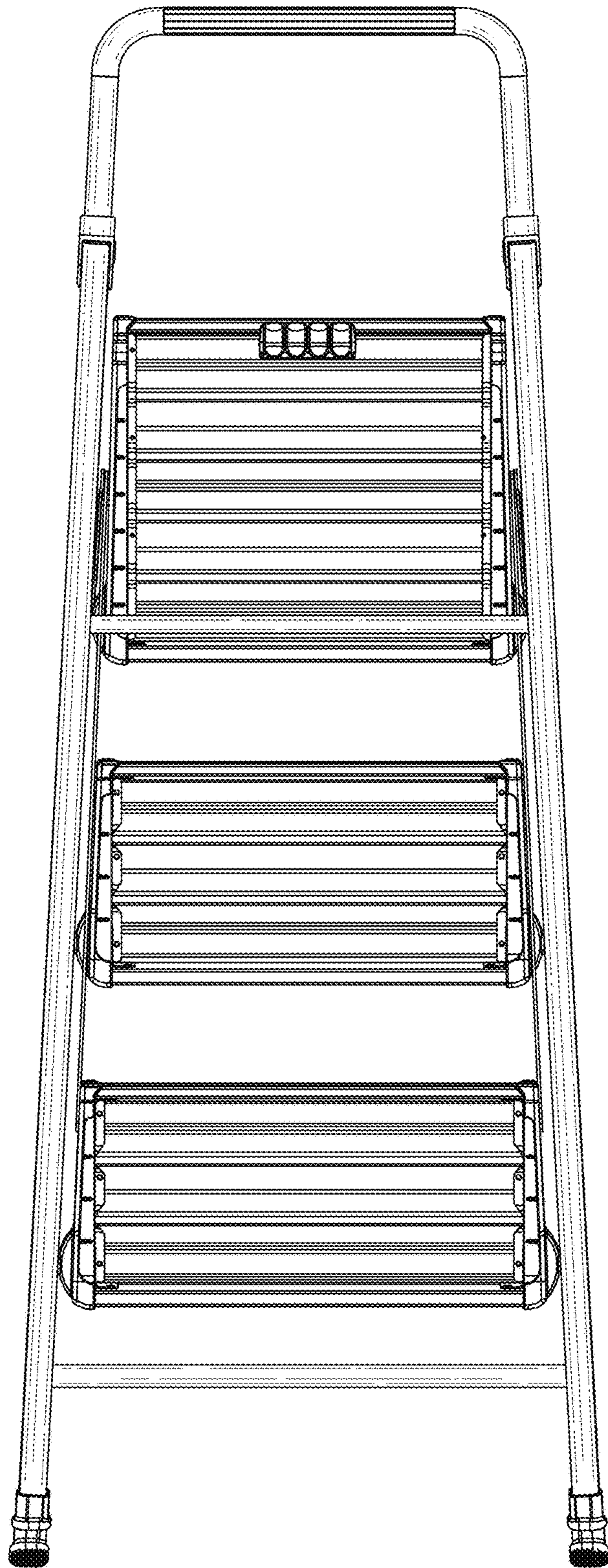


Fig. 10

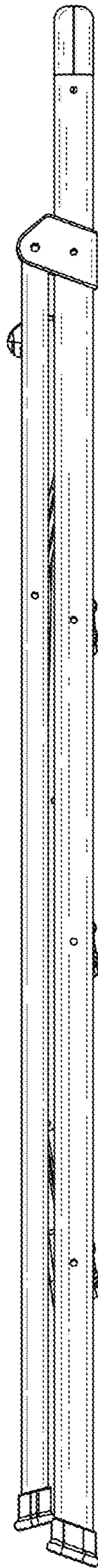


Fig. 11

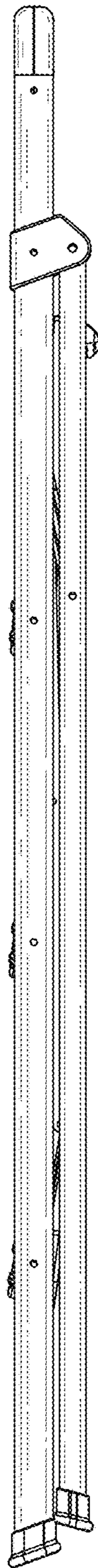


Fig. 12

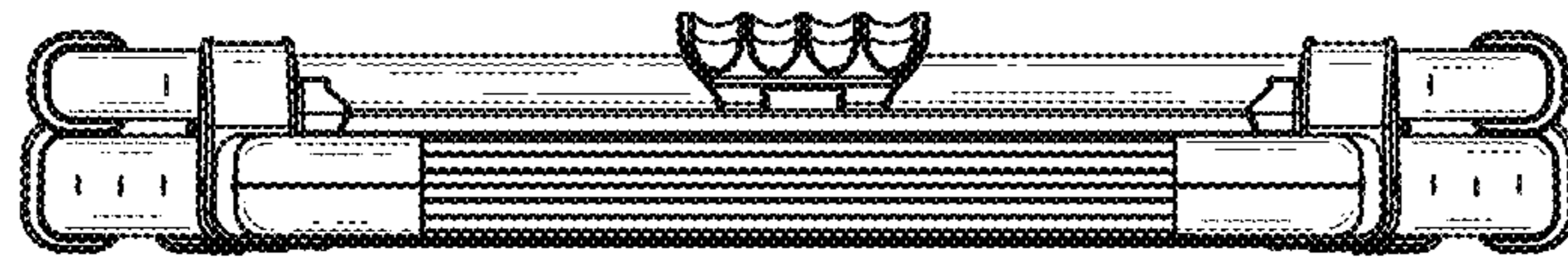


Fig. 13

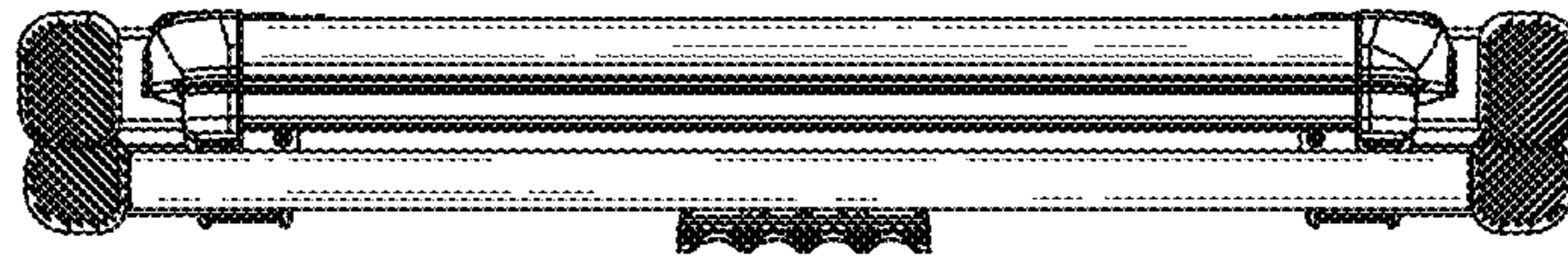


Fig. 14

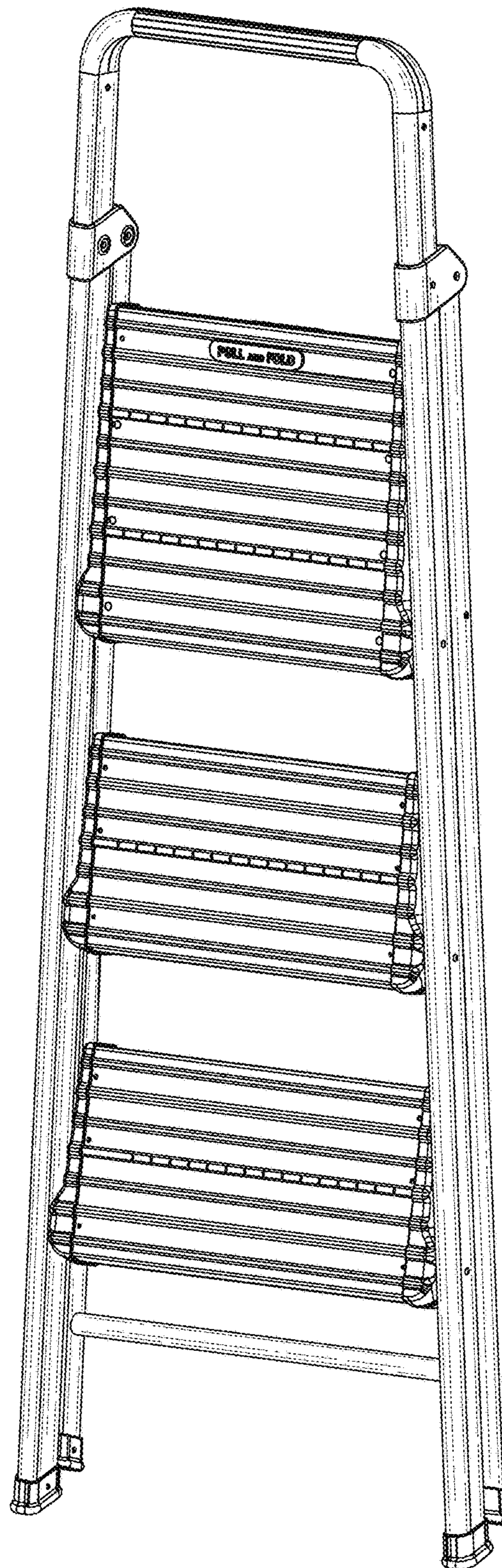


Fig. 15



Fig. 16