



US00D872875S

(12) **United States Design Patent**
Dettbarn

(10) **Patent No.:** **US D872,875 S**
(45) **Date of Patent:** **** Jan. 14, 2020**

- (54) **I-JOIST**
- (71) Applicant: **PINKWOOD LTD.**, Calgary (CA)
- (72) Inventor: **Richard Dettbarn**, Calgary (CA)
- (73) Assignee: **PinkWood Ltd.**, Calgary (CA)
- (**) Term: **15 Years**
- (21) Appl. No.: **29/597,271**
- (22) Filed: **Mar. 15, 2017**

- 4,715,162 A 12/1987 Brightwell
- 5,210,990 A 5/1993 Kirk, Jr.
- D374,292 S * 10/1996 Koo D25/61
- 5,972,467 A 10/1999 Washo
- 5,974,760 A 11/1999 Tingley
- 6,158,189 A * 12/2000 Lau E04B 5/12
52/690
- 6,173,550 B1 * 1/2001 Tingley E04C 3/14
52/837
- 6,460,310 B1 * 10/2002 Ford E04C 3/14
52/837
- 7,124,544 B2 * 10/2006 Brown E04B 5/12
52/264
- 7,827,763 B2 * 11/2010 Brown E04B 5/12
52/264
- 8,458,971 B2 6/2013 Winterowd
(Continued)

Related U.S. Application Data

- (62) Division of application No. 29/560,901, filed on Apr. 12, 2016, now Pat. No. Des. 796,063.

Primary Examiner — L. Martinez
(74) *Attorney, Agent, or Firm* — Siritzky Law, PLLC

(30) **Foreign Application Priority Data**

Nov. 4, 2015 (CA) 165218

- (51) **LOC (12) Cl.** **25-02**
- (52) **U.S. Cl.**
USPC **D25/61; D25/164**

(58) **Field of Classification Search**

USPC D25/61, 126, 128, 164, 199
CPC E04C 3/00; E04C 3/02; E04C 3/12; E04C
3/122; E04C 3/125; E04C 3/14; E04C
3/145; E04C 3/29; E06B 1/04; E06B
1/38; E06B 1/40; E06B 1/62; E06B 1/64;
E06B 1/68; E06B 2001/622; E06B
2001/626; E06B 2001/628; E06B 5/00;
E06B 5/003

See application file for complete search history.

(56) **References Cited**

U.S. PATENT DOCUMENTS

- 3,849,963 A 11/1974 Harmon
- 4,336,687 A 6/1982 Morgan
- 4,356,045 A * 10/1982 Elford E04C 3/14
144/136.1
- 4,456,497 A 6/1984 Eberle

(57) **CLAIM**

I claim the ornamental design for an I-joist, as shown and described.

DESCRIPTION

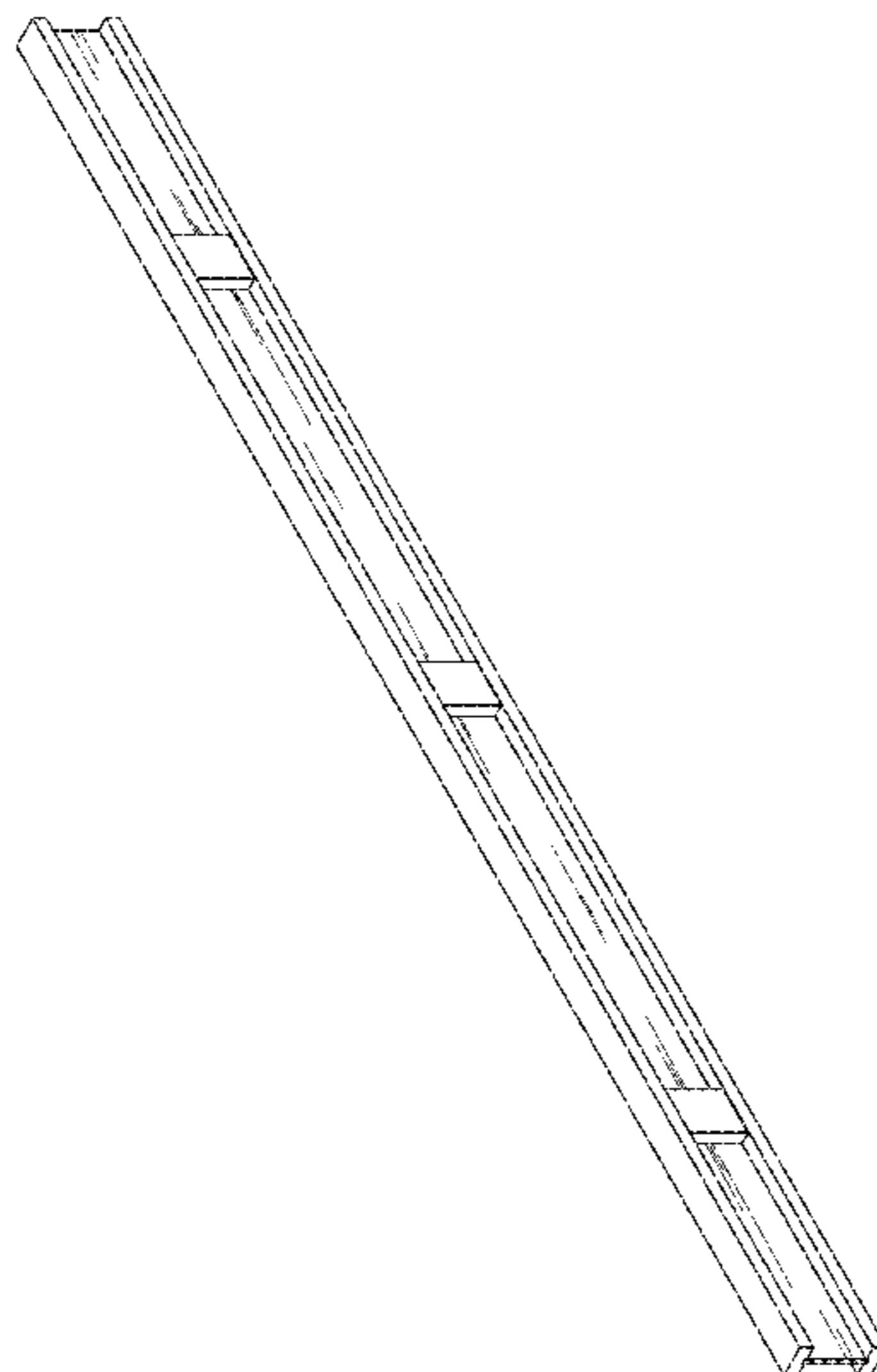
A portion of the disclosure of this patent document contains material which is subject to copyright protection. The copyright owner has no objection to the facsimile reproduction by anyone of the patent document or the patent disclosure, as it appears in the Patent and Trademark Office patent file or records, but otherwise reserves all copyright rights whatsoever.

FIG. 1 is a perspective view of a first embodiment of an I-joist showing my new design; and,

FIG. 2 is a perspective view of a second embodiment of the I-joist showing my new design.

The I-joist is shown with a symbolic break in its length. The appearance of any portion of the I-joist between the break lines forms no part of the claimed design.

1 Claim, 2 Drawing Sheets



(56)

References Cited

U.S. PATENT DOCUMENTS

| | | | | | |
|-------------------|---------|------------------|-------|------------|-----------|
| 8,516,778 B1 * | 8/2013 | Wilkens | | E04C 3/292 | 52/309.13 |
| 8,561,373 B1 * | 10/2013 | McDonald | | E04C 3/14 | 52/841 |
| 8,820,034 B1 * | 9/2014 | Watts | | E04C 3/16 | 52/404.1 |
| 8,910,455 B2 * | 12/2014 | Yang | | E04C 3/292 | 29/428 |
| D774,663 S * | 12/2016 | Nigro | | D25/138 | |
| D796,063 S * | 8/2017 | Dettbarn | | D25/164 | |
| 10,240,341 B2 * | 3/2019 | Dettbarn | | E04C 3/14 | |
| 2003/0115827 A1 * | 6/2003 | Sim | | E04C 3/292 | 52/837 |
| 2005/0102962 A1 | 5/2005 | McInerney et al. | | | |
| 2006/0032182 A1 * | 2/2006 | Carlson | | E04C 3/29 | 52/837 |
| 2007/0119108 A1 * | 5/2007 | Downard | | E04B 5/12 | 52/289 |
| 2007/0256389 A1 * | 11/2007 | Davis | | E04B 5/12 | 52/841 |
| 2007/0261362 A1 * | 11/2007 | Davis | | E04C 3/14 | 52/749.1 |
| 2007/0283660 A1 * | 12/2007 | Blahut | | E04C 3/29 | 52/841 |
| 2008/0295453 A1 * | 12/2008 | Carlson | | E04C 3/29 | 52/841 |
| 2008/0302037 A1 | 12/2008 | Brown et al. | | | |
| 2010/0037547 A1 | 2/2010 | Taraba et al. | | | |
| 2010/0300037 A1 * | 12/2010 | Tumer | | E04B 5/12 | 52/782.1 |
| 2011/0155315 A1 * | 6/2011 | Von Pinnon | | E04C 3/14 | 156/257 |
| 2012/0045584 A1 * | 2/2012 | Dettbarn | | C09D 5/14 | 427/368 |
| 2014/0245696 A1 | 9/2014 | Anderson et al. | | | |
| 2014/0318073 A1 | 10/2014 | Sidhu | | | |
| 2015/0020476 A1 | 1/2015 | Winterowd et al. | | | |
| 2015/0052838 A1 | 2/2015 | Ritchie et al. | | | |
| 2015/0135638 A1 * | 5/2015 | Yang | | E04C 3/292 | 52/841 |
| 2017/0016229 A1 * | 1/2017 | Cossette | | E04C 3/292 | |
| 2017/0121965 A1 * | 5/2017 | Dettbarn | | E04C 3/14 | |
| 2017/0321418 A1 * | 11/2017 | Tremblay | | E04C 3/122 | |

* cited by examiner

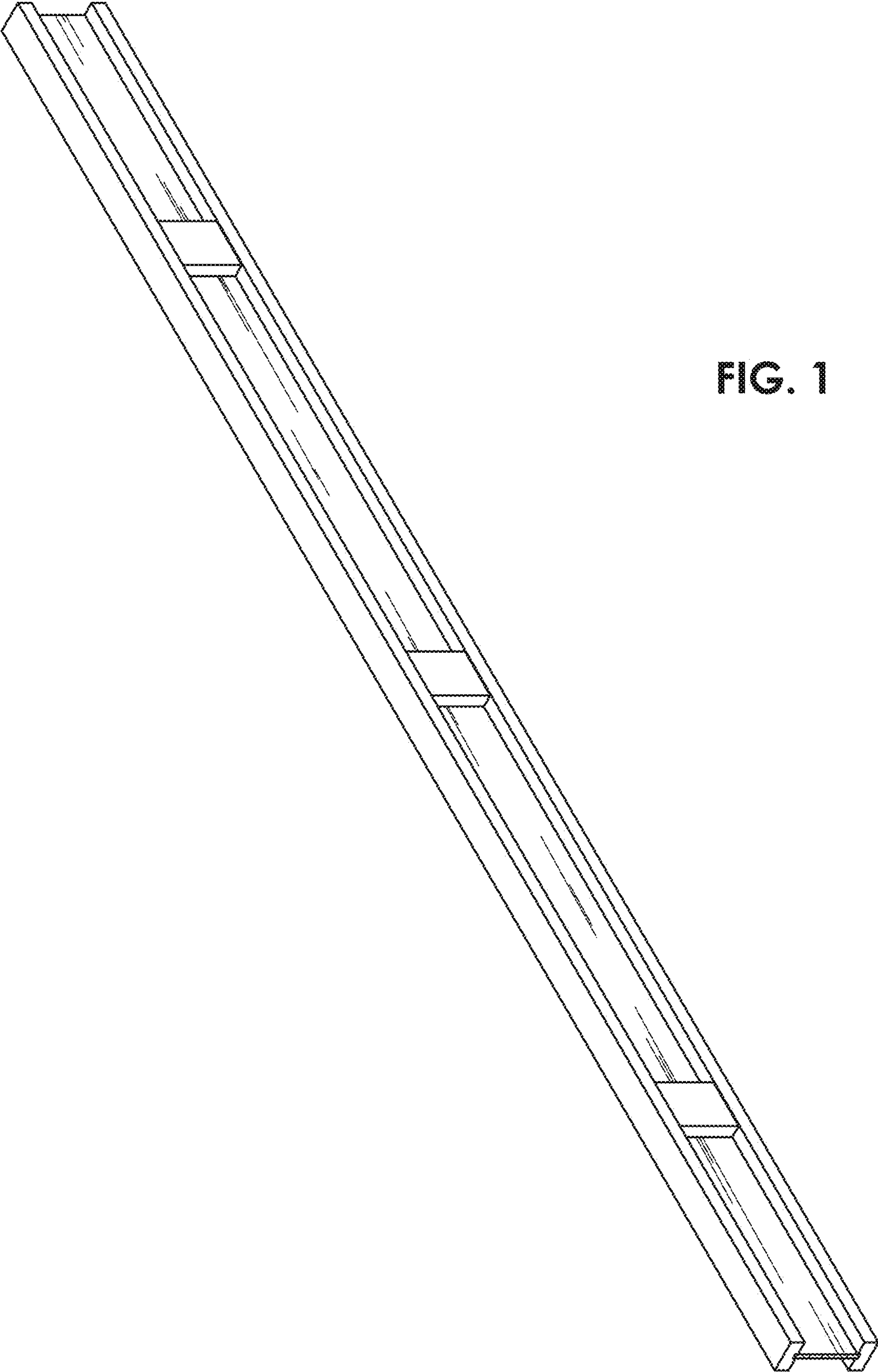


FIG. 1

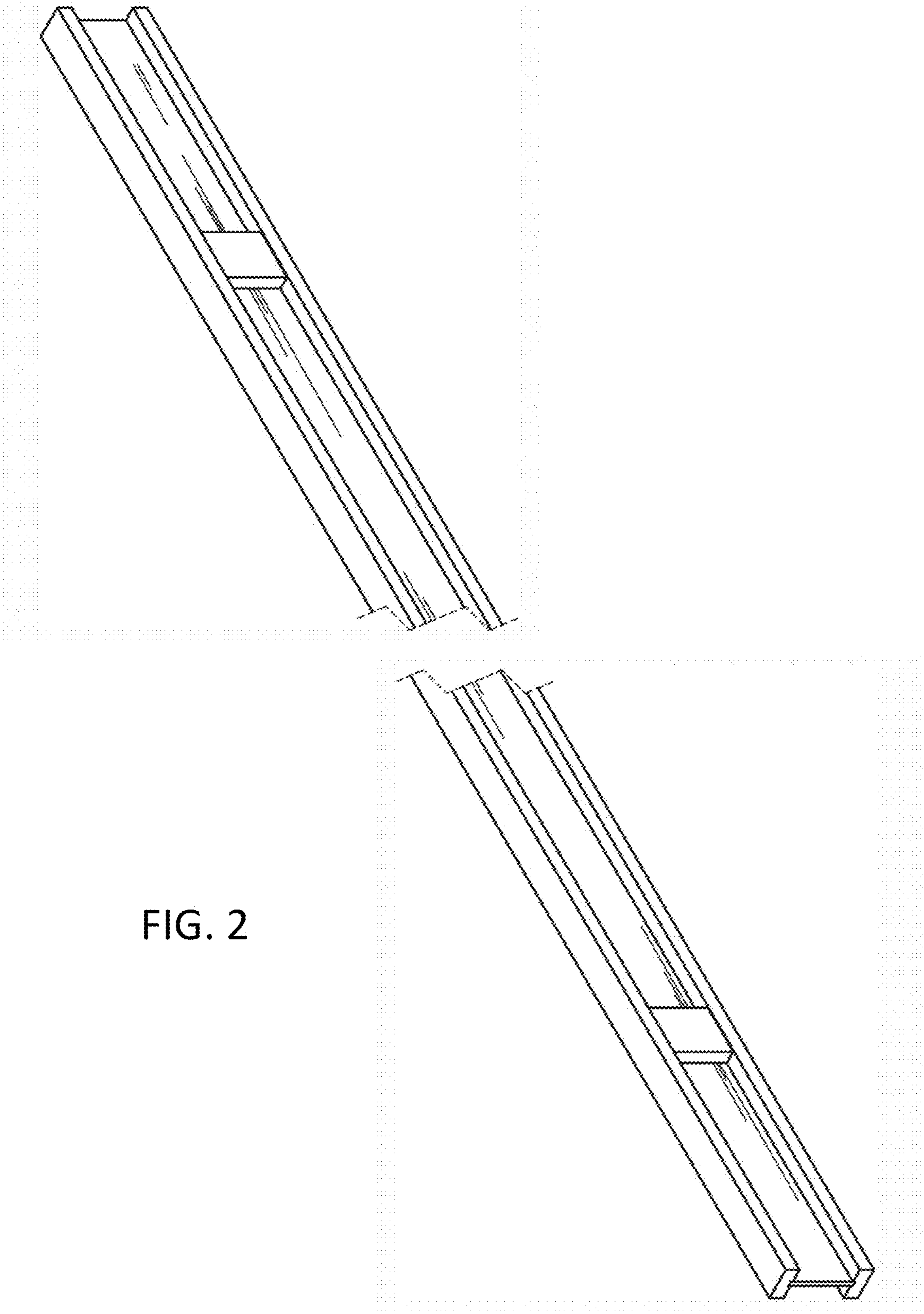


FIG. 2