



US00D872873S

(12) **United States Design Patent** (10) **Patent No.:** **US D872,873 S**
Eberle (45) **Date of Patent:** **** Jan. 14, 2020**

(54) **MEDICAL INSTRUMENT**

(56) **References Cited**

(71) Applicant: **ANDREAS HETTICH GMBH & CO. KG**, Tuttlingen (DE)

U.S. PATENT DOCUMENTS

(72) Inventor: **Klaus-Guenter Eberle**, Tuttlingen (DE)

D311,876 S * 11/1990 Kiegami D24/232
D514,705 S * 2/2006 Bublewitz D24/224
D584,827 S * 1/2009 Potter D24/216
D595,421 S * 6/2009 Suzuki D24/227
D595,862 S * 7/2009 Suzuki D24/227
7,744,821 B2 * 6/2010 Eberle B04B 5/0428
210/767

(73) Assignee: **ANDREAS HETTICH GMBH & CO. KG**, Tuttlingen (DE)

D763,464 S * 8/2016 Li D24/227
D781,437 S * 3/2017 Valley D24/227
2014/0030802 A1 * 1/2014 Eberle G01N 35/00
435/303.1

(**) Term: **15 Years**

(21) Appl. No.: **29/600,656**

* cited by examiner

(22) Filed: **Apr. 13, 2017**

Primary Examiner — Anhdao Doan

(30) **Foreign Application Priority Data**

(74) *Attorney, Agent, or Firm* — Woodling, Krost and Rust

Oct. 14, 2016 (EM) 003418854-0001
Oct. 14, 2016 (EM) 003418854-0002

(57) **CLAIM**

The ornamental design for a medical instrument, as shown and described.

(51) **LOC (12) Cl.** **24-01**

DESCRIPTION

(52) **U.S. Cl.**
USPC **D24/230**

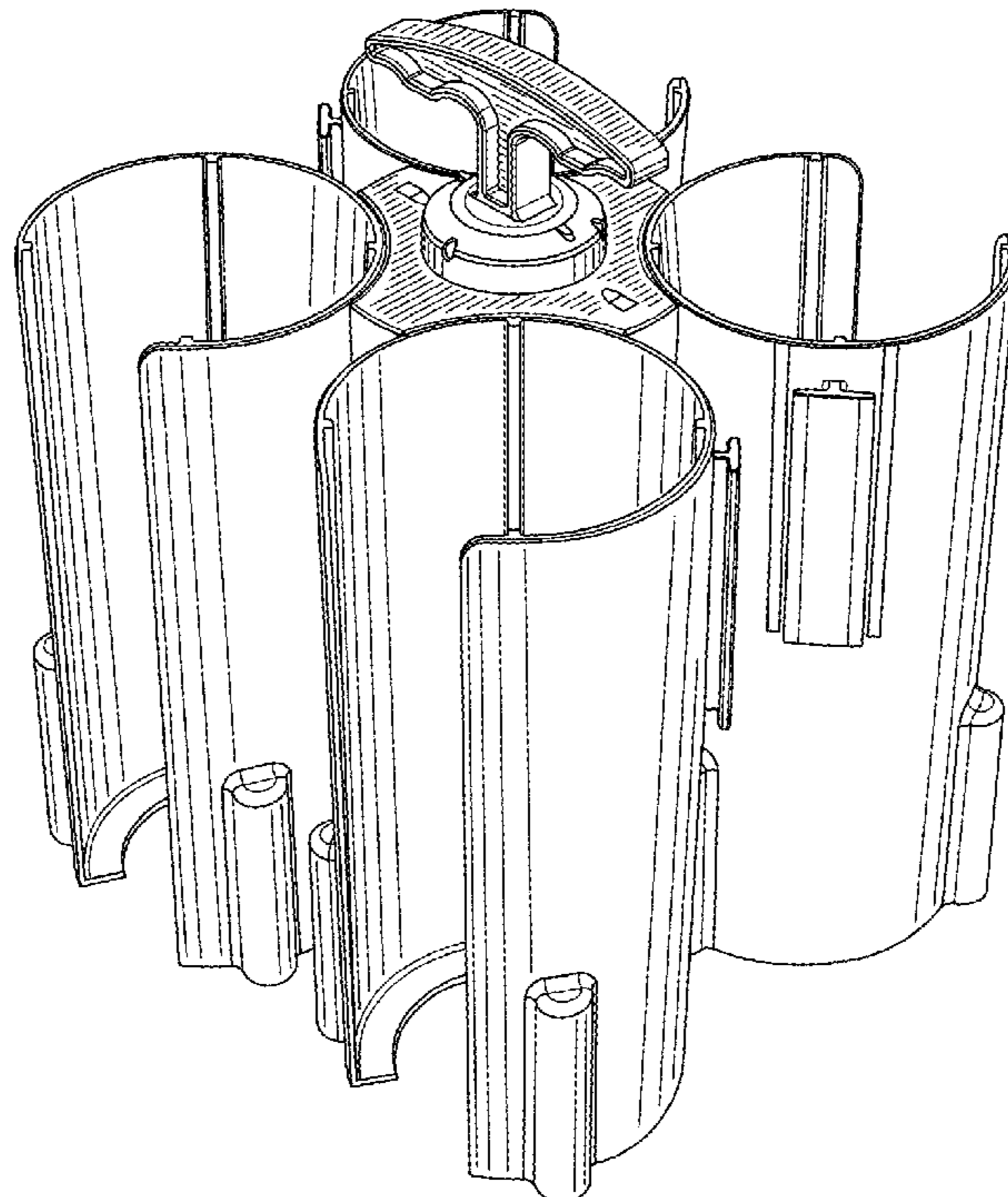
FIG. 1 is a front view of a medical instrument showing my new design;
FIG. 2 is a side view thereof;
FIG. 3 is a perspective view thereof;
FIG. 4 is an exploded perspective view thereof;
FIG. 5 is a bottom view thereof; and,
FIG. 6 is a top view thereof.

(58) **Field of Classification Search**
USPC D24/121, 216, 219–221, 224–233;
D10/81
CPC B01L 2200/16; B01L 2200/18; B01L
2300/0809; B01L 2300/0816; B01L
2300/0825; B01L 2300/0609; B01L
2300/0618; G01N 2021/0346; G01N
2035/0401; G01N 2035/0441; G01N
2035/0444; G01N 21/07; G01N 2021/13;
G01N 2021/135

The broken lines illustrate portions of the medical device that form no part of the claimed design; the broken lines and the unshaded surfaces form no part of the claimed design.

See application file for complete search history.

1 Claim, 6 Drawing Sheets



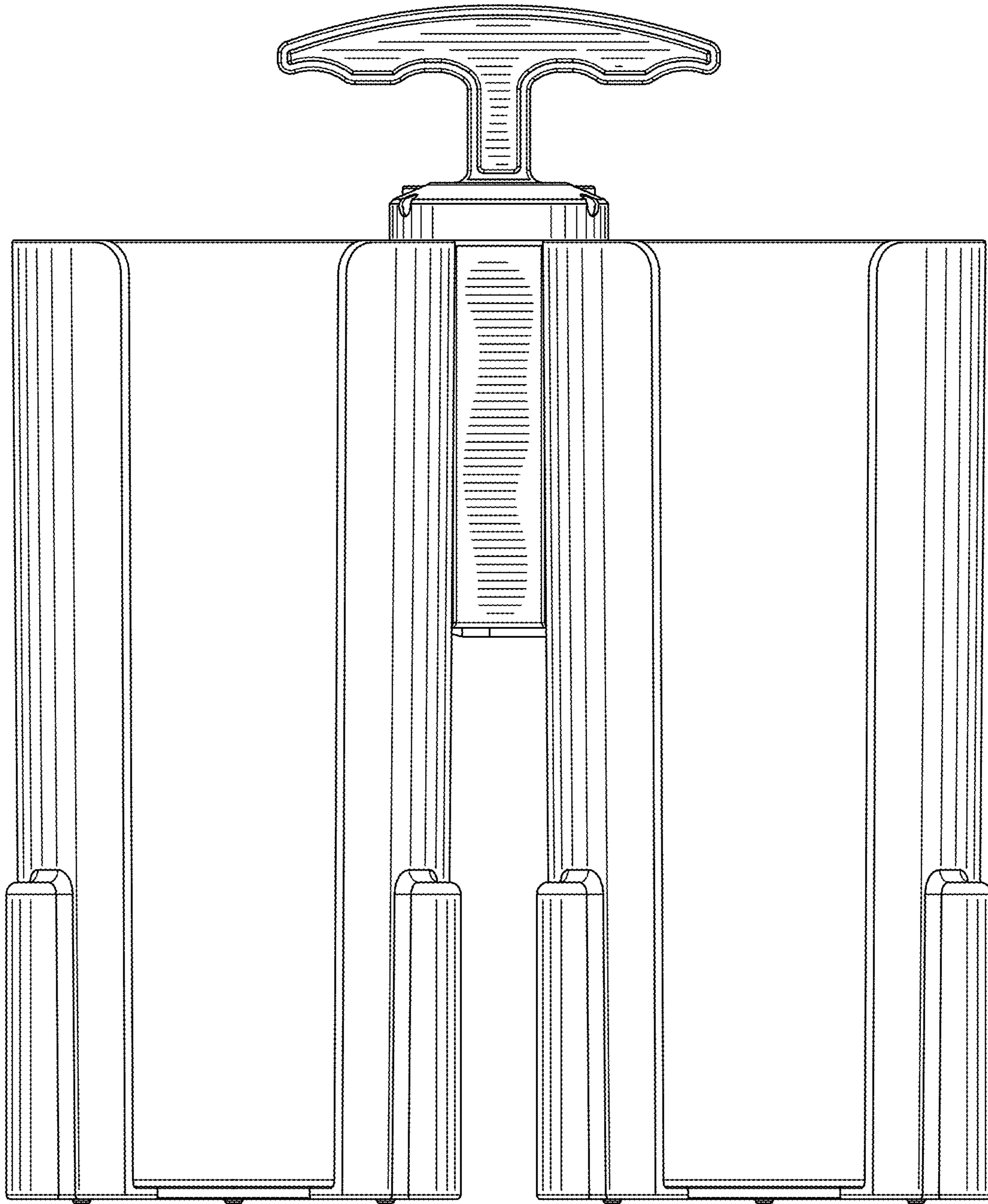


FIG. 1

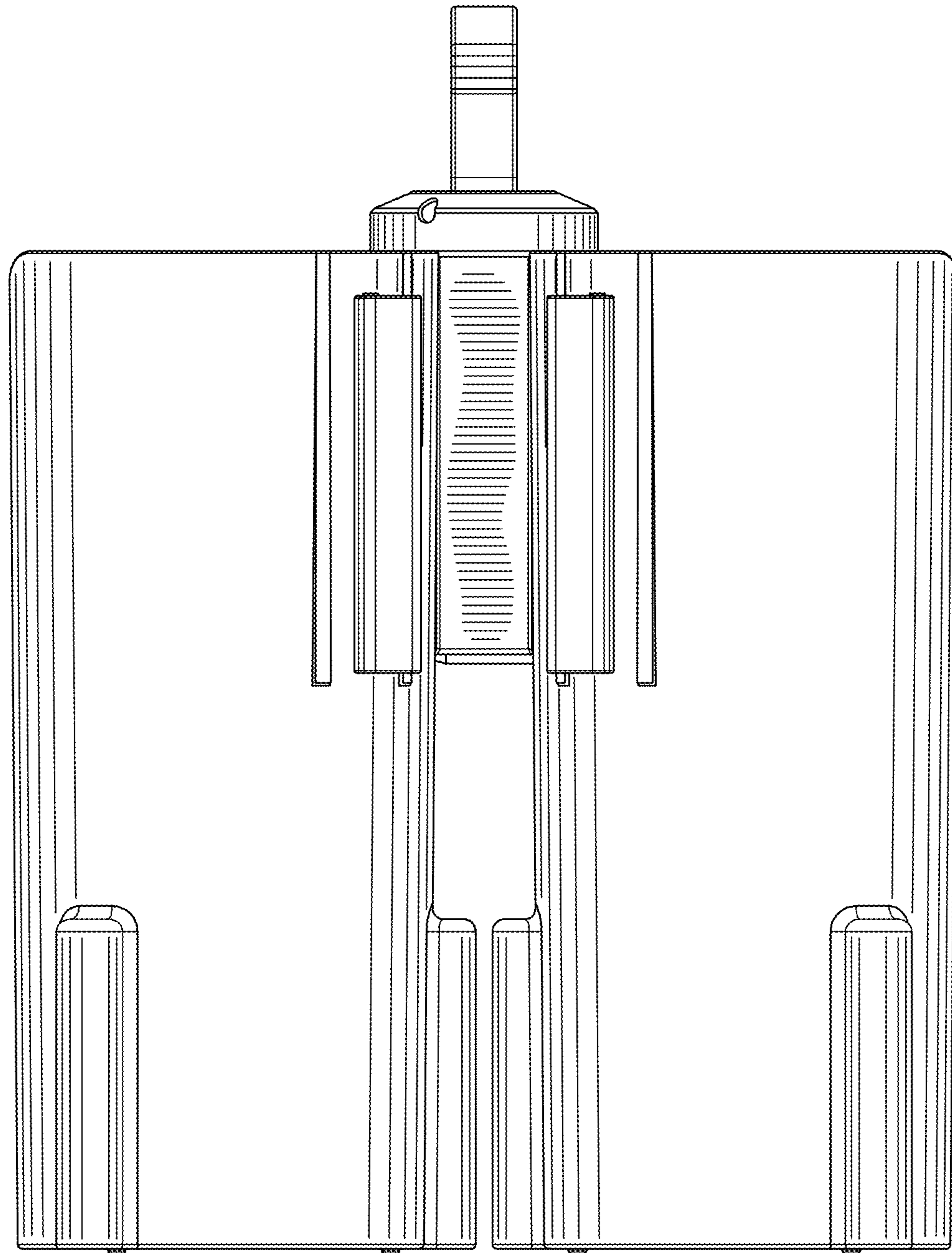


FIG. 2

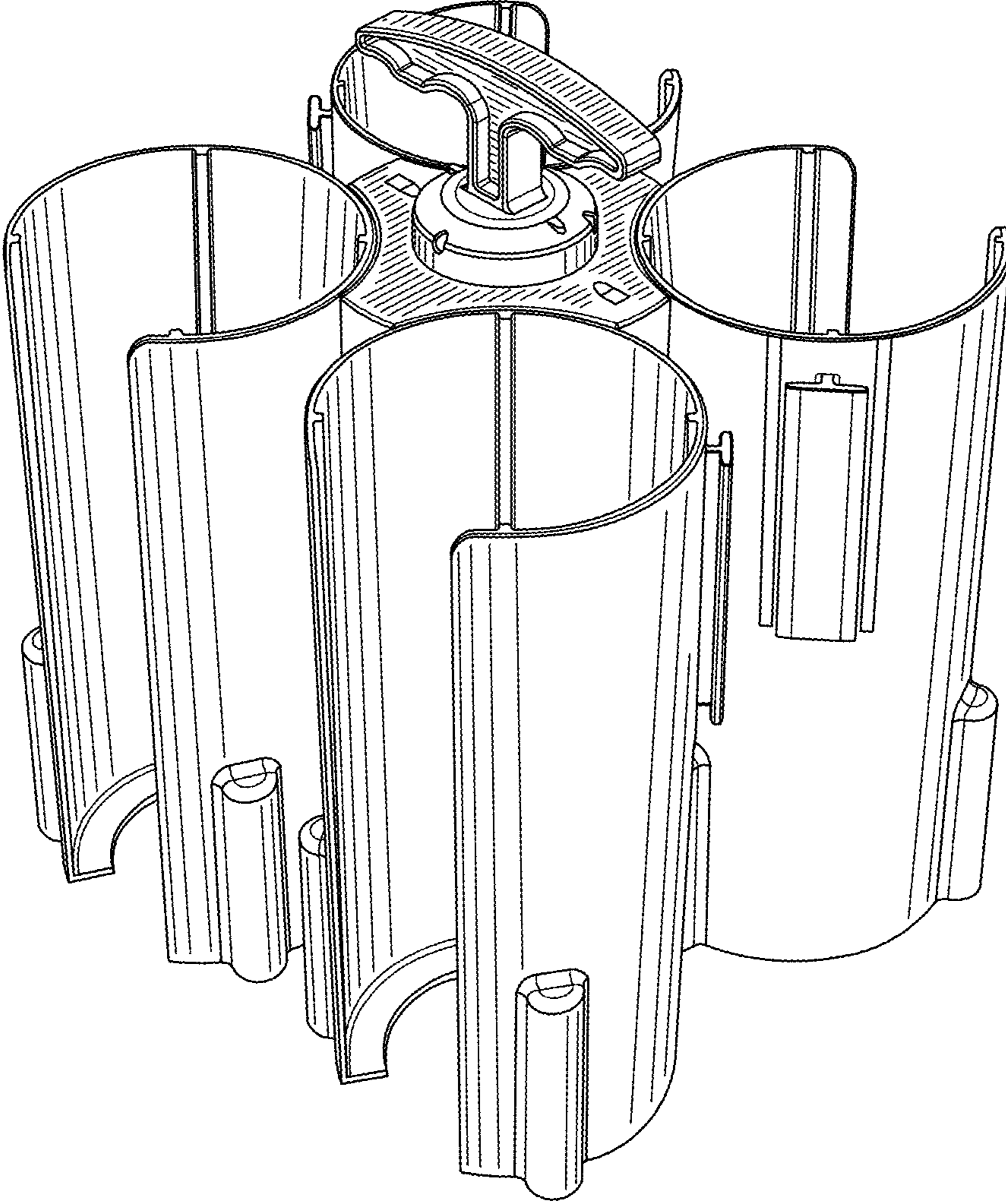


FIG. 3

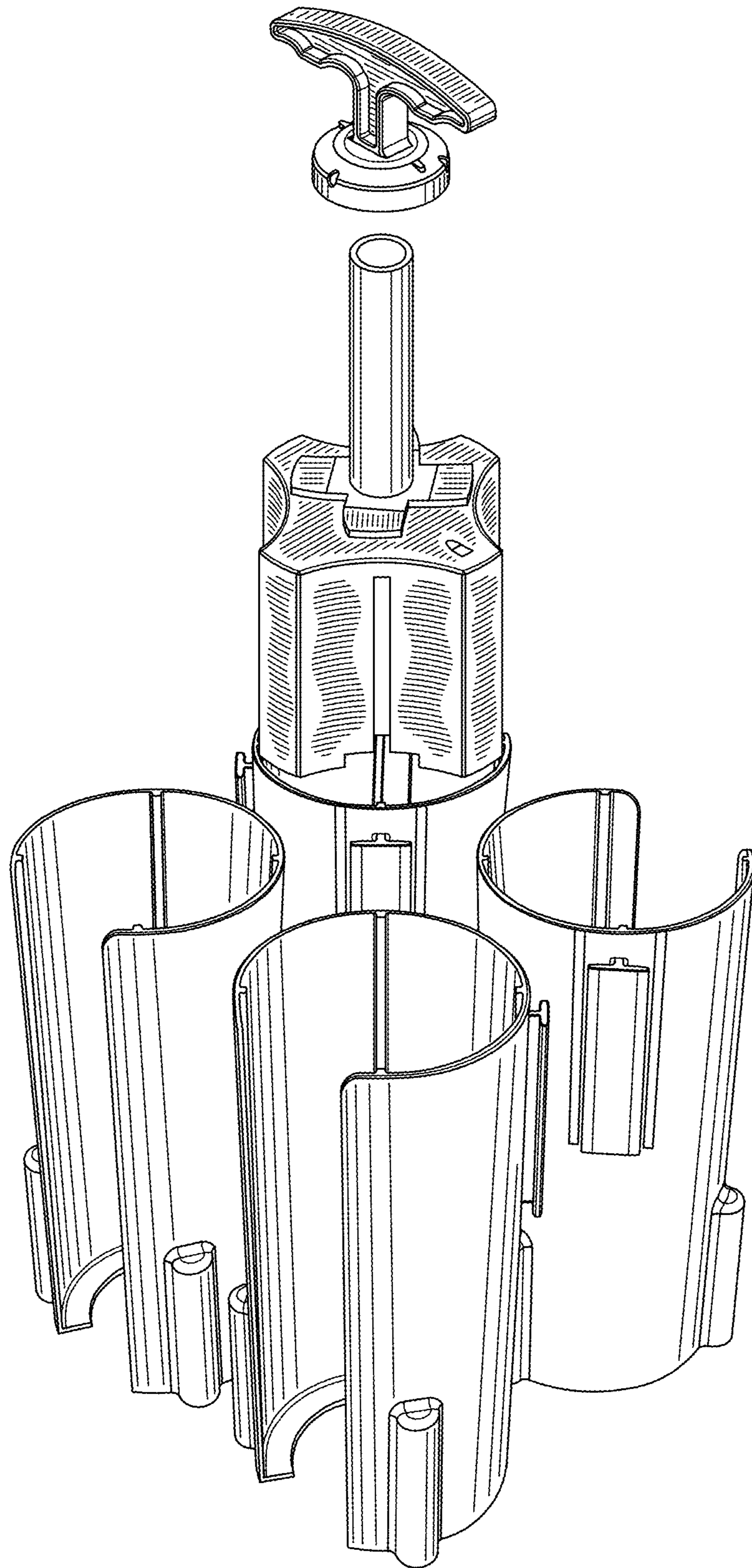


FIG. 4

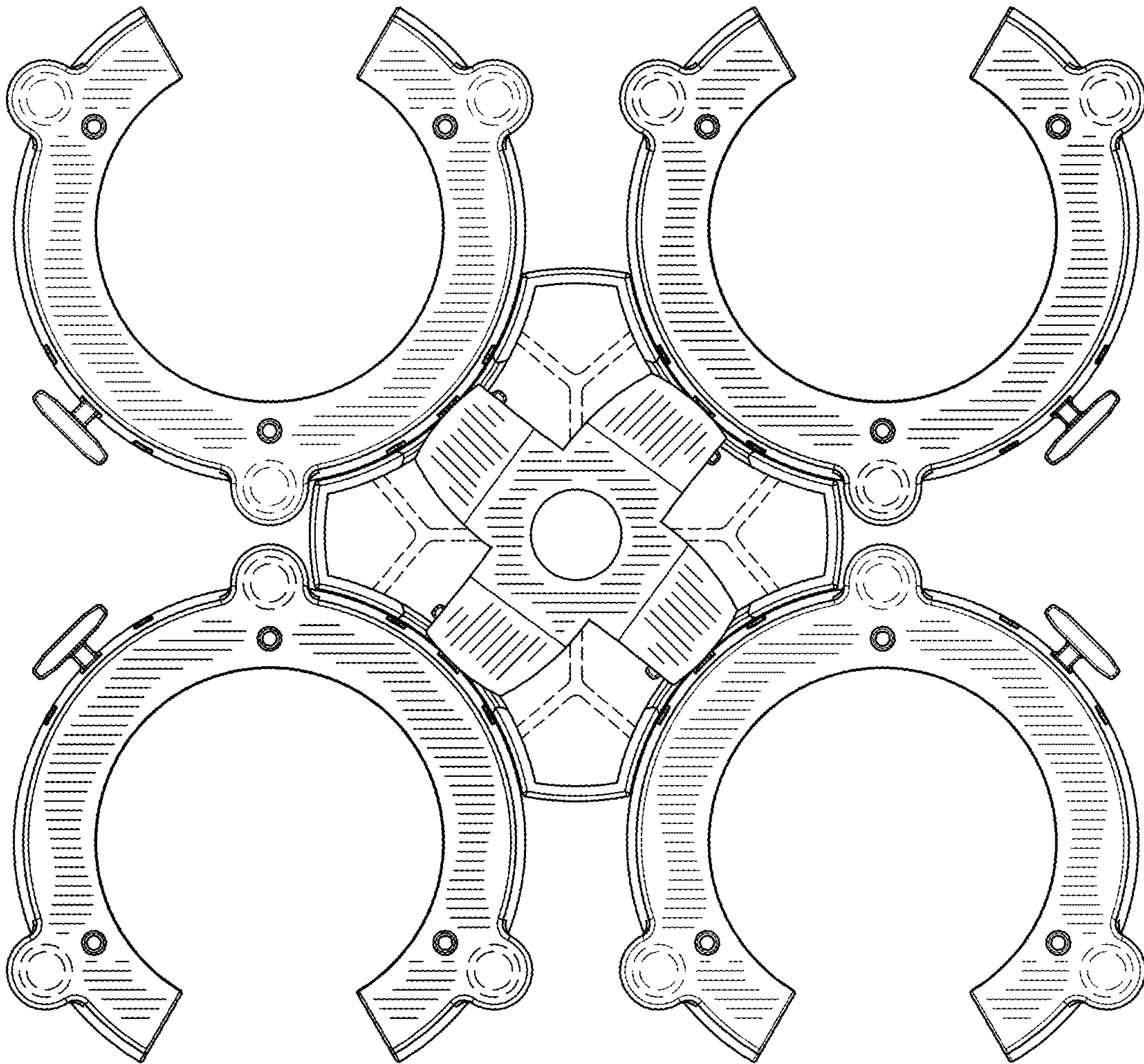


FIG. 5

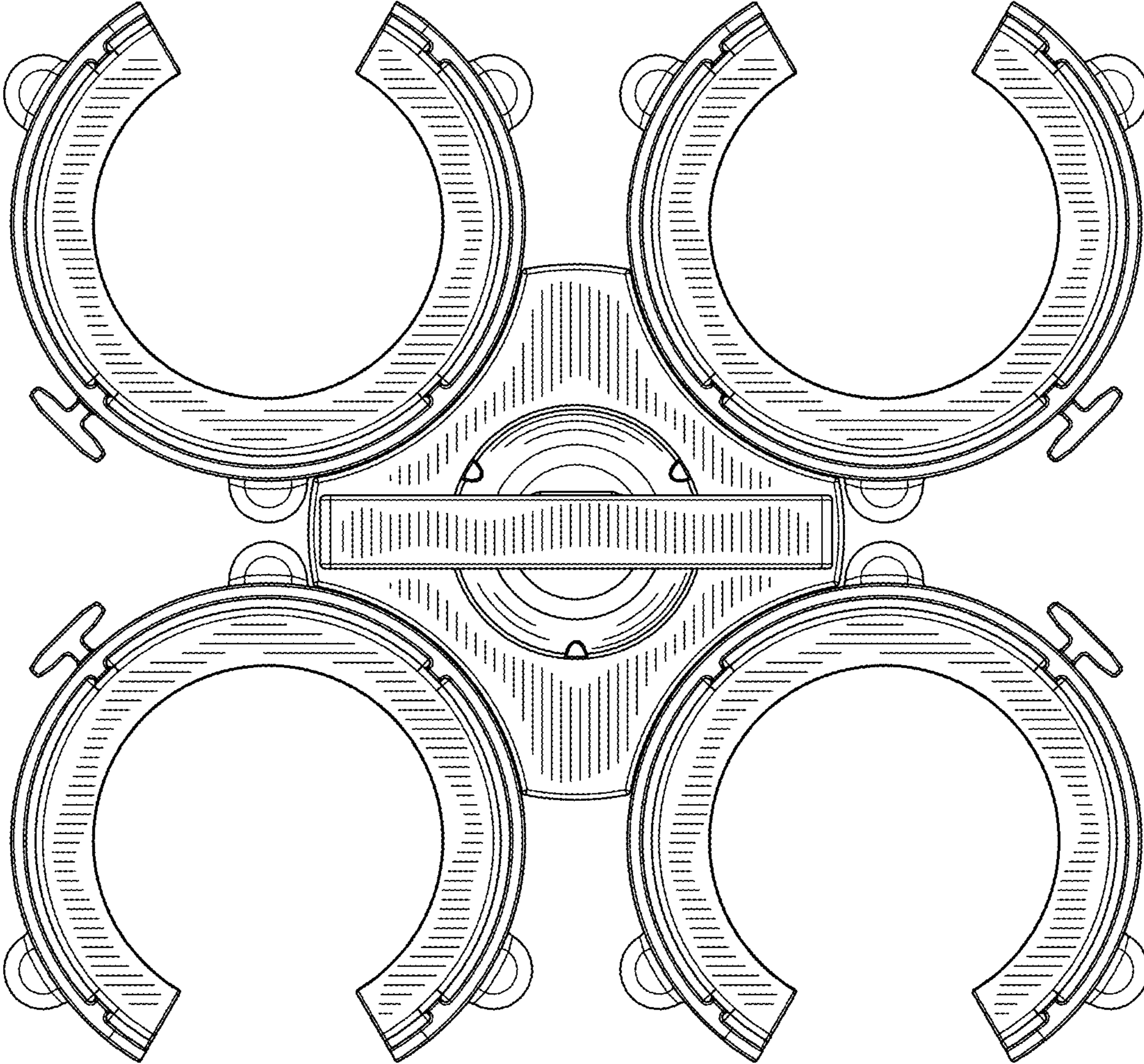


FIG. 6