



US00D872872S

(12) **United States Design Patent** (10) **Patent No.:** **US D872,872 S**
Fukaya et al. (45) **Date of Patent:** **** Jan. 14, 2020**

(54) **CRUCIBLE** 1,381,171 A 6/1921 Darrah
 1,518,818 A 12/1924 Rietz
 (71) Applicant: **A.L.M.T. Corp.**, Tokyo (JP) 2,099,043 A * 11/1937 Wicklein B22D 41/00
 432/263
 (72) Inventors: **Yoshitake Fukaya**, Toyama (JP); 2,195,436 A 4/1940 Weller
Masahiro Kato, Toyama (JP); **Makoto** D142,792 S 11/1945 Ripich
Watanabe, Toyama (JP); **Kiyohide** D185,475 S * 6/1959 Weller D24/224
Sasaki, Tokyo (JP) 2,961,228 A * 11/1960 Moore B01L 3/04
 432/262
 (73) Assignee: **A.L.M.T. CORP.**, Tokyo (JP) D215,448 S 10/1969 Knowles
 3,796,552 A 3/1974 Robinson et al.
 D231,834 S 6/1974 Gulrich
 (**) Term: **15 Years** 4,354,831 A * 10/1982 Shinkawa F27B 14/10
 266/275
 (21) Appl. No.: **29/672,418** 4,366,571 A 12/1982 Palmquist
 D269,519 S 6/1983 Braun
 D280,761 S 9/1985 Silsbury
 (22) Filed: **Dec. 5, 2018** 4,564,363 A * 1/1986 Bagnall A61D 7/00
 222/641

Related U.S. Application Data

(62) Division of application No. 29/543,974, filed on Oct. 29, 2015, now Pat. No. Des. 839,444, which is a division of application No. 29/468,973, filed on Oct. 4, 2013, now Pat. No. Des. 771,167.

(30) **Foreign Application Priority Data**

Aug. 21, 2013 (JP) 2013-019097
 Aug. 29, 2013 (JP) 2013-019888
 Sep. 4, 2013 (JP) 2013-020426
 Sep. 4, 2013 (JP) 2013-020427
 Sep. 4, 2013 (JP) 2013-020428

(51) **LOC (12) Cl.** **24-02**

(52) **U.S. Cl.**
USPC **D24/220**

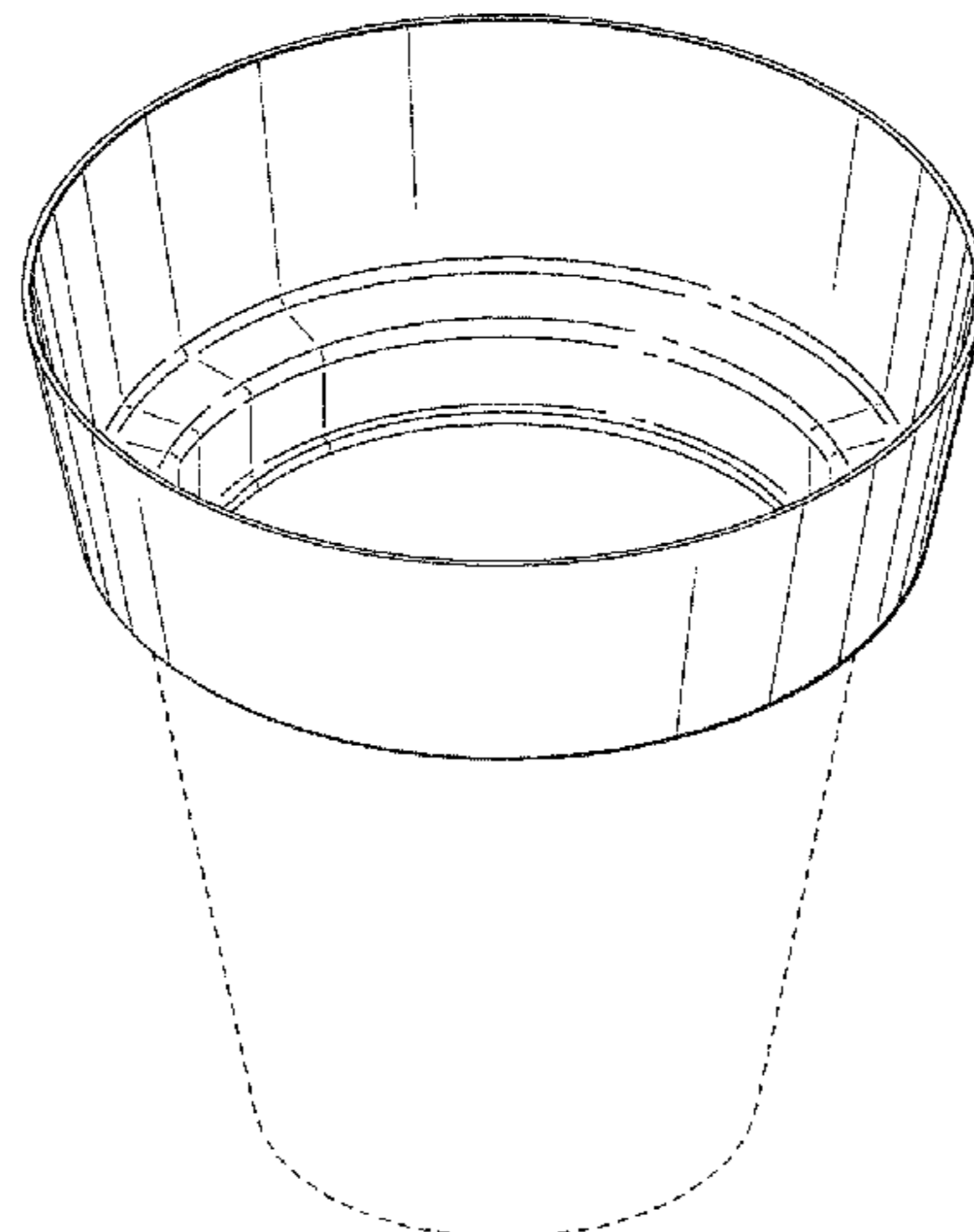
(58) **Field of Classification Search**
 USPC D24/220, 224; D15/144; D7/586
 CPC C30B 11/002; B22D 41/00; B01L 3/04;
 F27B 14/10; A61D 7/00
 See application file for complete search history.

(56) **References Cited**

U.S. PATENT DOCUMENTS

1,081,535 A 12/1913 Jeppson
 D53,484 S 7/1919 Brile et al.

D420,374 S 2/2000 Zigliotto
 D422,609 S 4/2000 Fong et al.
 D446,530 S 8/2001 Kuraoka et al.
 6,334,898 B1 1/2002 Bommier
 D517,577 S 3/2006 Conway et al.
 D527,401 S 8/2006 Mizuno et al.
 D535,674 S 1/2007 Conway et al.
 D536,009 S 1/2007 MacKenzie et al.
 D539,611 S 4/2007 Wasserman et al.
 D582,950 S 12/2008 Yamaguchi et al.
 D617,894 S 6/2010 Wright
 D653,270 S 1/2012 Furujo et al.
 D654,520 S 2/2012 Okada et al.
 D654,939 S 2/2012 Furujo et al.
 D681,706 S 5/2013 Savill, Jr.
 D697,956 S 1/2014 Davis et al.
 D712,446 S 9/2014 Wetzel
 D719,200 S 12/2014 Hassan
 D735,787 S 8/2015 Hassan et al.
 D736,285 S 8/2015 Hassan et al.
 D771,167 S * 11/2016 Fukaya D15/144
 9,803,291 B2 * 10/2017 Katoh C30B 11/002
 D839,444 S * 1/2019 Fukaya D24/220
 2002/0083886 A1 7/2002 Katoh
 2008/0253870 A1 10/2008 Ford
 2009/0272314 A1 11/2009 Kato et al.
 2009/0288592 A1 11/2009 Kato et al.
 2010/0314400 A1 12/2010 Kanda
 2011/0017124 A1 1/2011 Hoshikawa et al.
 2013/0087094 A1 4/2013 Quinton et al.
 2013/0288192 A1 10/2013 Uhlenhut
 2014/0083638 A1 3/2014 Waniuk et al.
 2014/0150986 A1 6/2014 Bewlay et al.
 2014/0202377 A1 7/2014 Sugisaki



2015/0151378 A1 6/2015 Fujii et al.
 2015/0153108 A1 6/2015 Zhang et al.
 2015/0184311 A1 7/2015 Turenne et al.
 2015/0225870 A1 8/2015 Katoh et al.
 2019/0168337 A1* 6/2019 Fujii C04B 35/584

JP D1368861 S 9/2009
 JP D1368862 S 9/2009
 JP 2010-270345 A 12/2010
 JP D1402735 S 12/2010
 JP 2011-42560 A 3/2011
 JP 2011-105575 A 6/2011
 JP D1415427 S 6/2011
 JP D1415594 S 6/2011
 JP 2012-254916 A 12/2012
 JP 2012236733 A 12/2012
 JP 2013-156118 A 8/2013
 JP 2013-230970 A 11/2013
 WO WO 2013/015301 A1 1/2013

FOREIGN PATENT DOCUMENTS

CN 102304751 A 1/2012
 CN 102719898 A 10/2012
 CN 202530198 U 11/2012
 CN 202530199 U 11/2012
 CN 202993825 U 6/2013
 CN 203034137 U 7/2013
 CN 203049098 U 7/2013
 JP D280905 S 2/1968
 JP D360817 S 12/1972
 JP D468561 S 9/1977
 JP D469183 S 9/1977
 JP D504817 S 3/1979
 JP D504818 S 3/1979
 JP D508660 S 4/1979
 JP D508660/1 S 10/1979
 JP D508660/2 S 10/1979
 JP D508660/3 S 10/1979
 JP D508660/7 S 10/1979
 JP 59-103767 U 7/1984
 JP D641179 S 9/1984
 JP D669053 S 12/1985
 JP 61-11588 A 1/1986
 JP 61-123433 A 6/1986
 JP D690970 S 11/1986
 JP 62-28880 U 2/1987
 JP D744971 S 10/1988
 JP 64-42388 A 2/1989
 JP D756137 S 2/1989
 JP D756137/1 S 3/1989
 JP D756137/2 S 3/1989
 JP D756137/3 S 3/1989
 JP D756137/4 S 3/1989
 JP 5-12488 A 1/1993
 JP D868856 S 5/1993
 JP D868857 S 5/1993
 JP D801276 S 8/1993
 JP D877961 S 9/1993
 JP D880209 S 10/1993
 JP D905180 S 8/1994
 JP D905181 S 8/1994
 JP 6-247719 A 9/1994
 JP 6-273060 A 9/1994
 JP 7-242978 A 9/1995
 JP D944952 S 1/1996
 JP D880209/1 S 4/1996
 JP D993758 S 10/1997
 JP D1010853 S 5/1998
 JP D1065082 S 3/2000
 JP D1065082/1 S 5/2000
 JP 2000-290739 A 10/2000
 JP 2001-48693 A 2/2001
 JP 2001-323302 A 11/2001
 JP 2002-60296 A 2/2002
 JP 2002-170780 A 6/2002
 JP 2003-112998 A 4/2003
 JP 2005-206416 A 8/2005
 JP 2007-240037 A 9/2007
 JP D1358312 S 5/2009
 JP D1358644 S 5/2009
 JP D1358645 S 5/2009
 JP D1359187 S 5/2009

OTHER PUBLICATIONS

Office Action dated Nov. 1, 2016 in related Japanese Application JP 2016-054056.
 Office Action dated Nov. 1, 2016 in related Japanese Application JP 2016-054057.
 U.S. Office Action dated Mar. 1, 2018 in related Design U.S. Appl. No. 29/543,974.

* cited by examiner

Primary Examiner — Rhea Shields
 (74) *Attorney, Agent, or Firm* — Birch, Stewart, Kolasch & Birch, LLP

(57) CLAIM

The ornamental design for a crucible, as shown and described.

DESCRIPTION

FIG. 1 is a front view of the first embodiment of a crucible showing our design;
 FIG. 2 is a rear view thereof;
 FIG. 3 is a top plan view thereof;
 FIG. 4 is a bottom plan view thereof;
 FIG. 5 is a right side view thereof;
 FIG. 6 is a left side view thereof;
 FIG. 7 is a cross-sectional view taken along line 7-7 of FIG. 3 thereof;
 FIG. 8 is a perspective view thereof;
 FIG. 9 is a front view of the second embodiment of a crucible showing our design;
 FIG. 10 is a rear view thereof;
 FIG. 11 is a top plan view thereof;
 FIG. 12 is a bottom plan view thereof;
 FIG. 13 is a right side view thereof;
 FIG. 14 is a left side view thereof;
 FIG. 15 is a cross-sectional view taken along line 15-15 of FIG. 11 thereof; and,
 FIG. 16 is a perspective view thereof.
 In the drawings the broken lines are for the purpose of illustrating environment only and form no part of the claimed design.

1 Claim, 8 Drawing Sheets

FIG.1

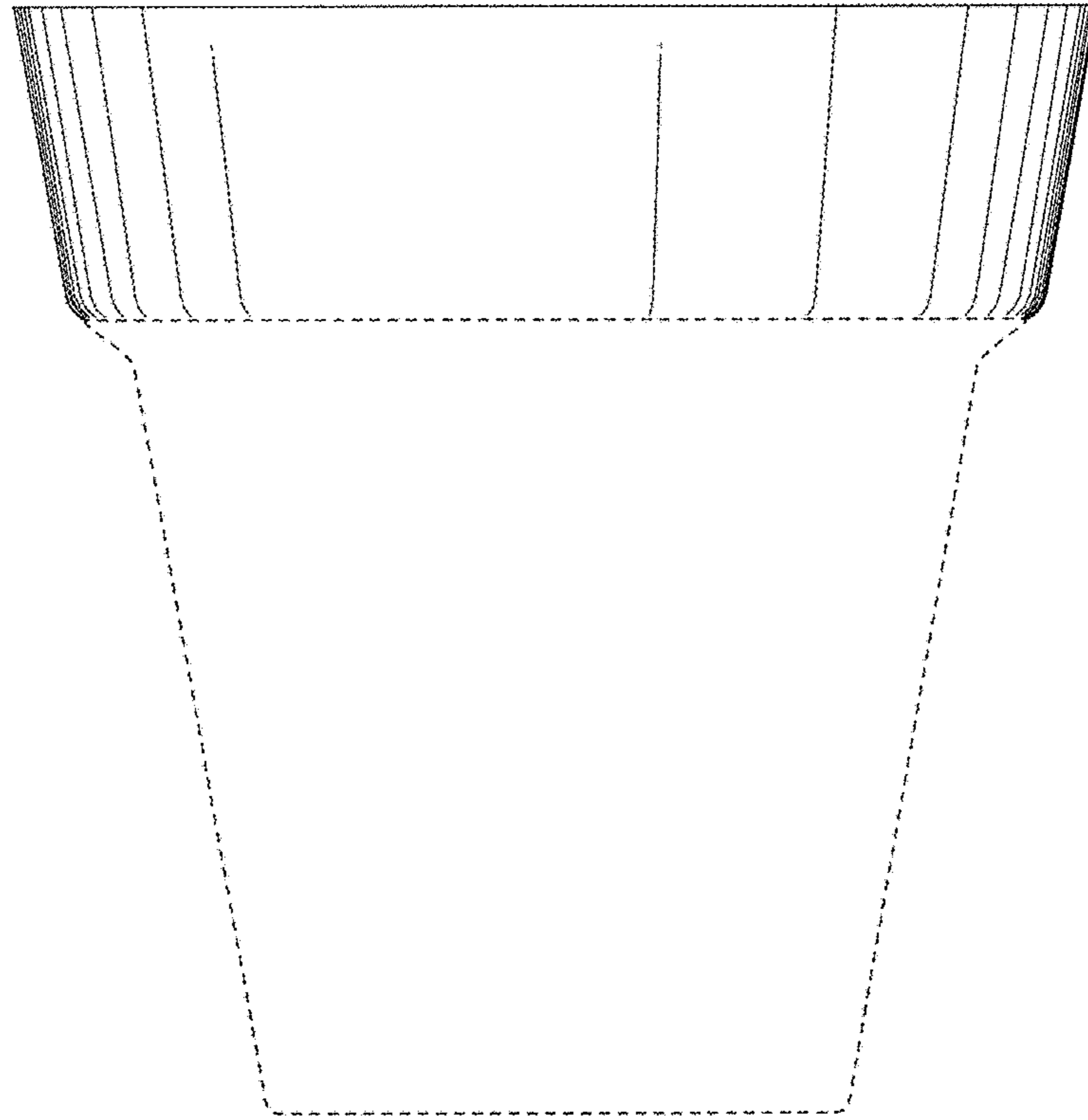


FIG.2

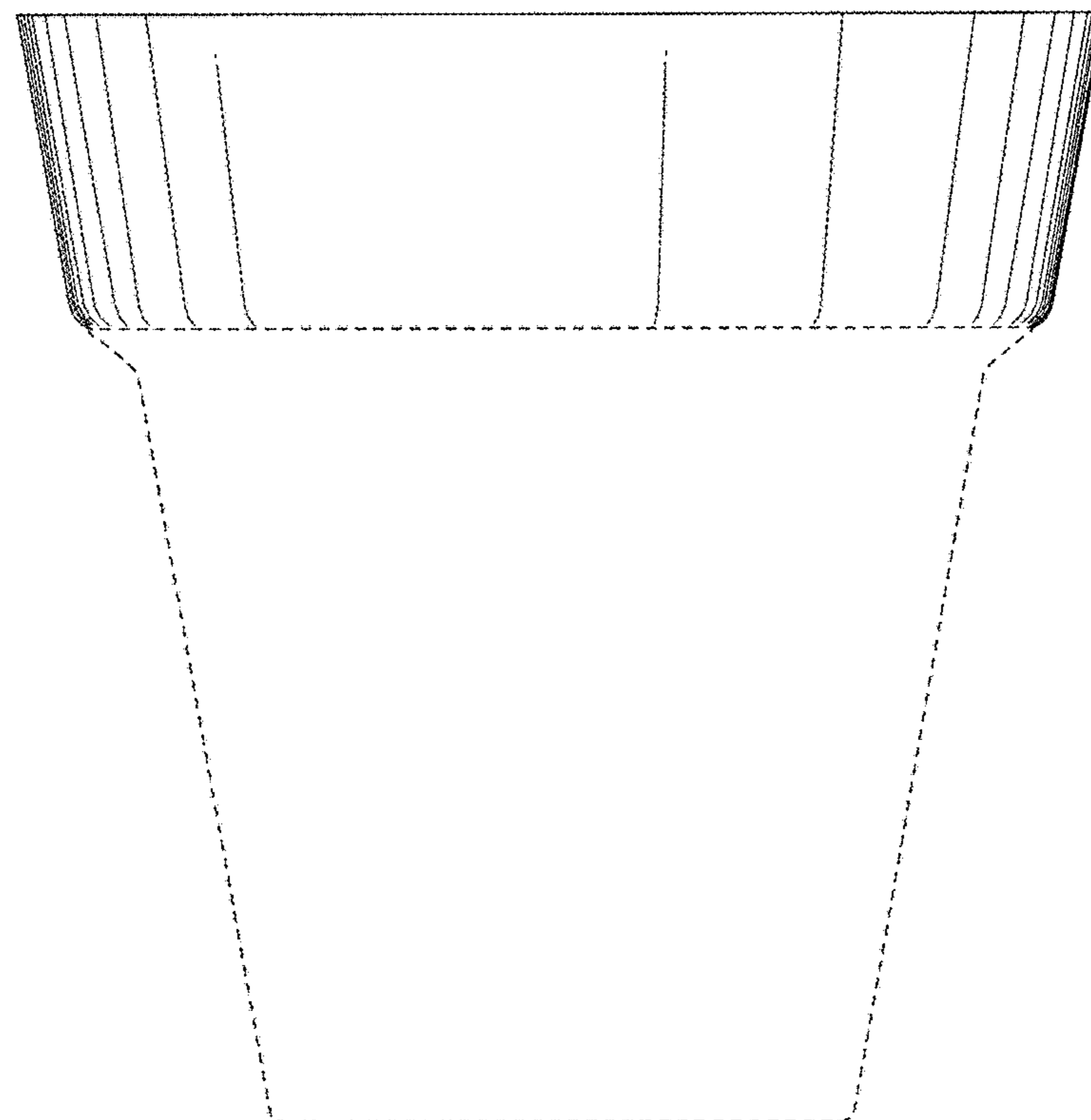


FIG.3

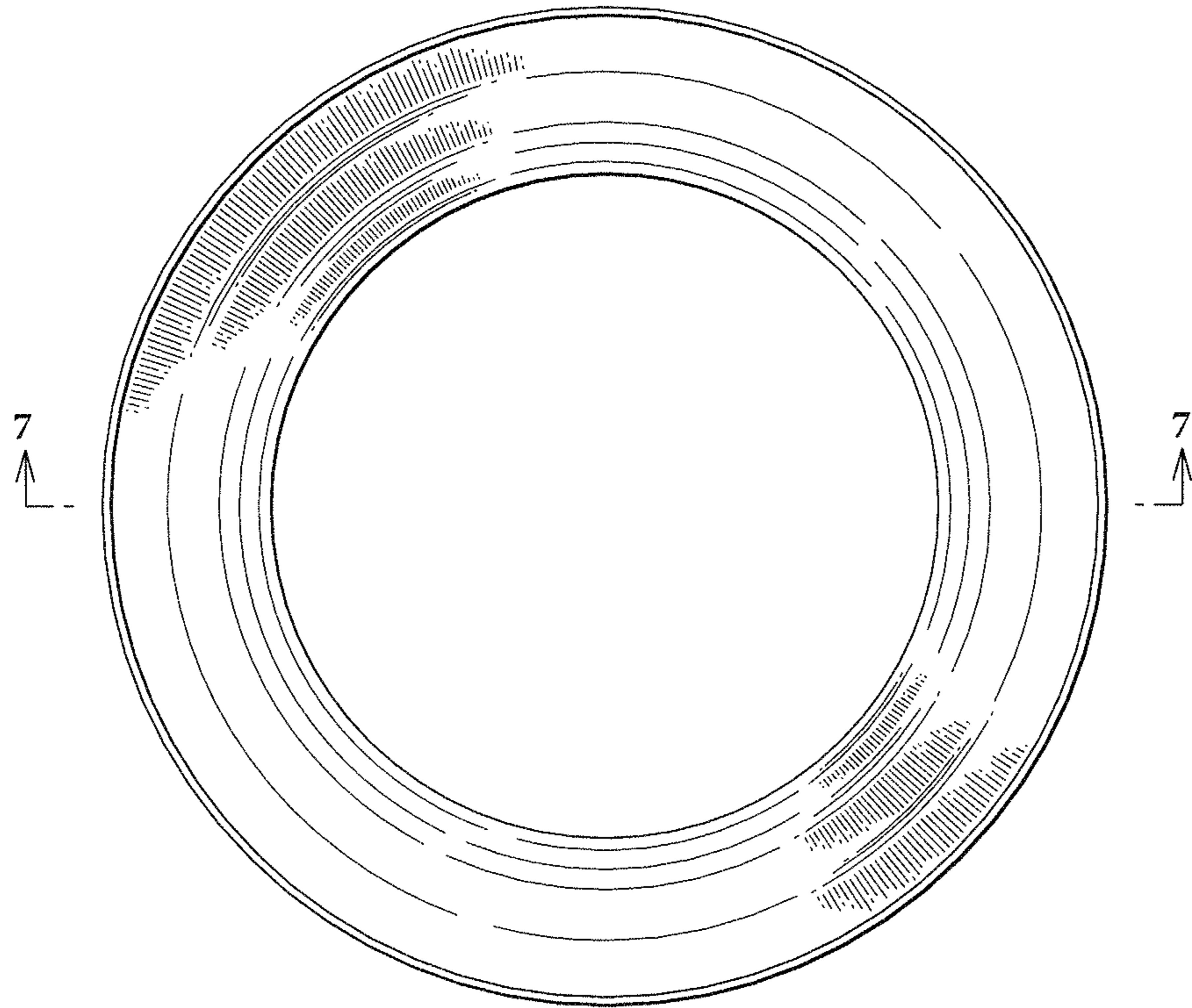


FIG.4

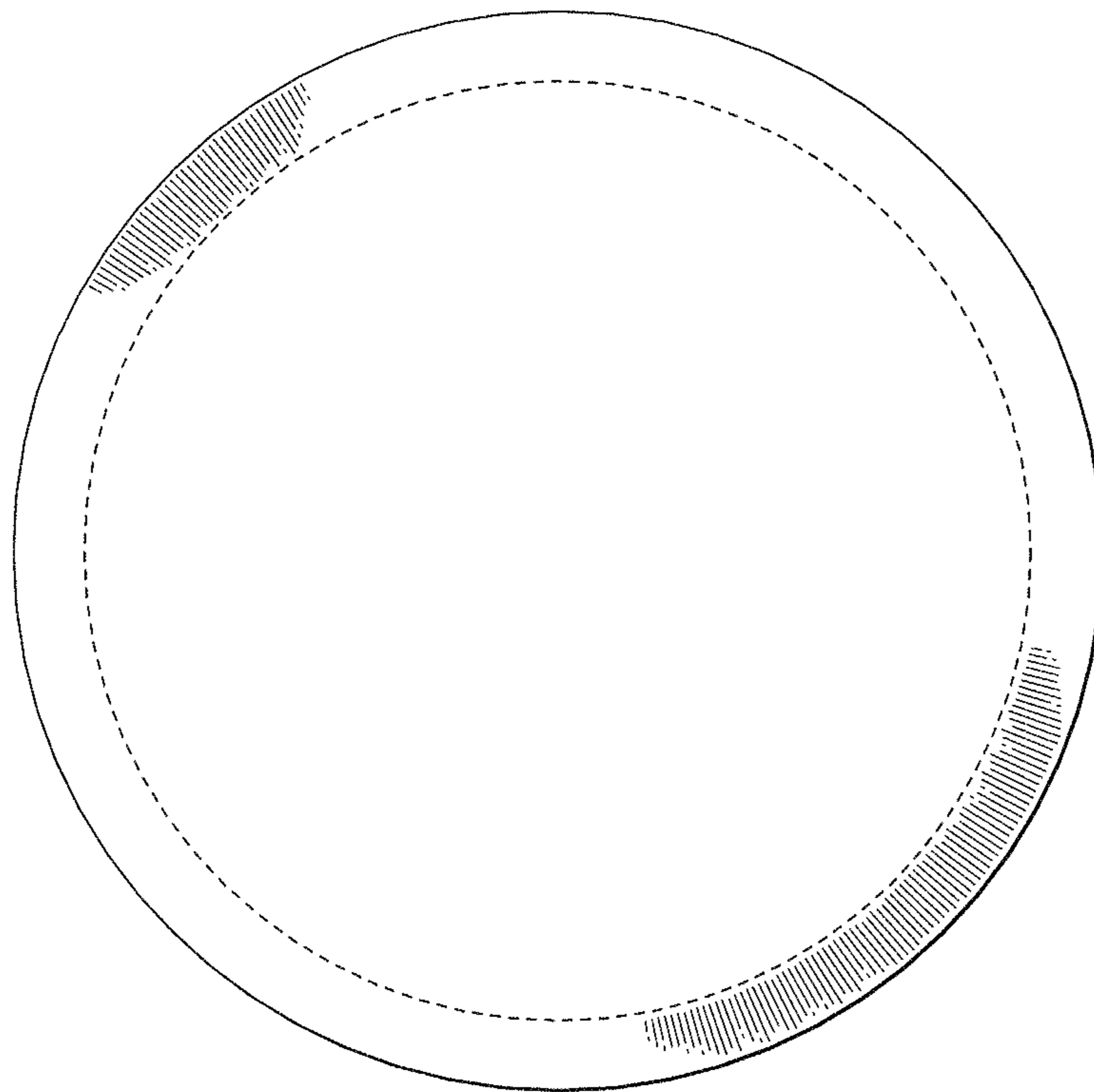


FIG.5

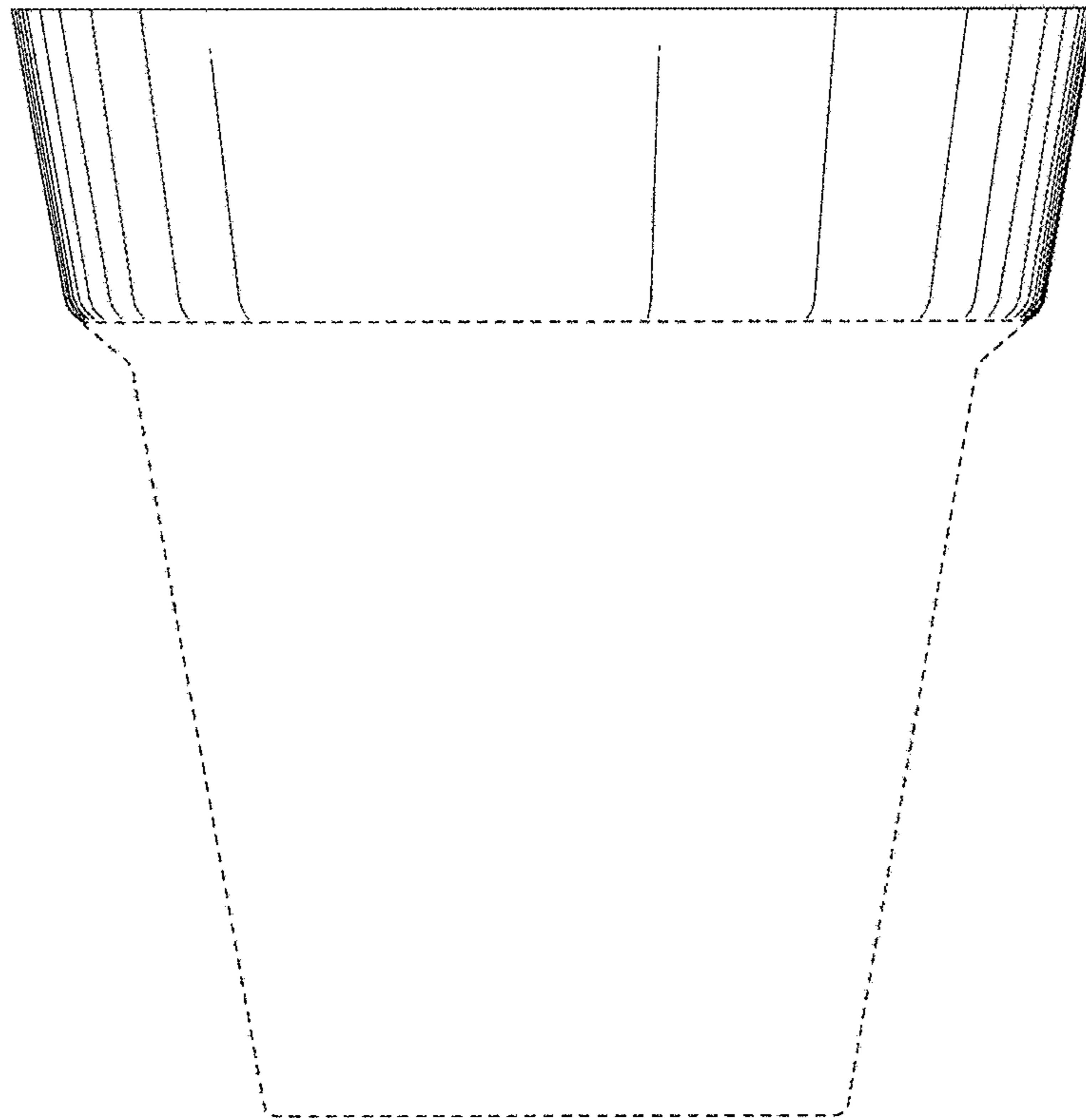


FIG.6

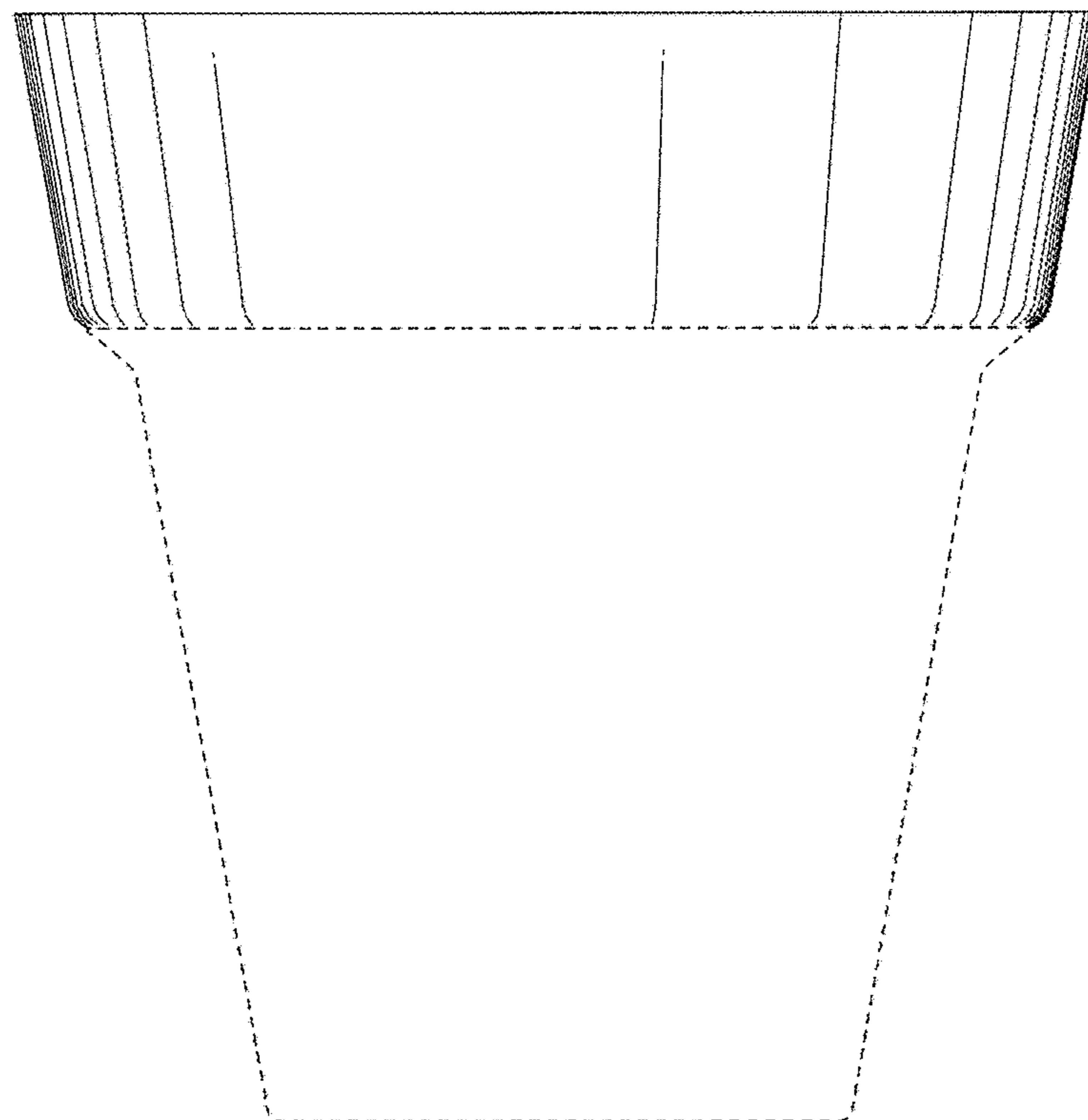


FIG.7

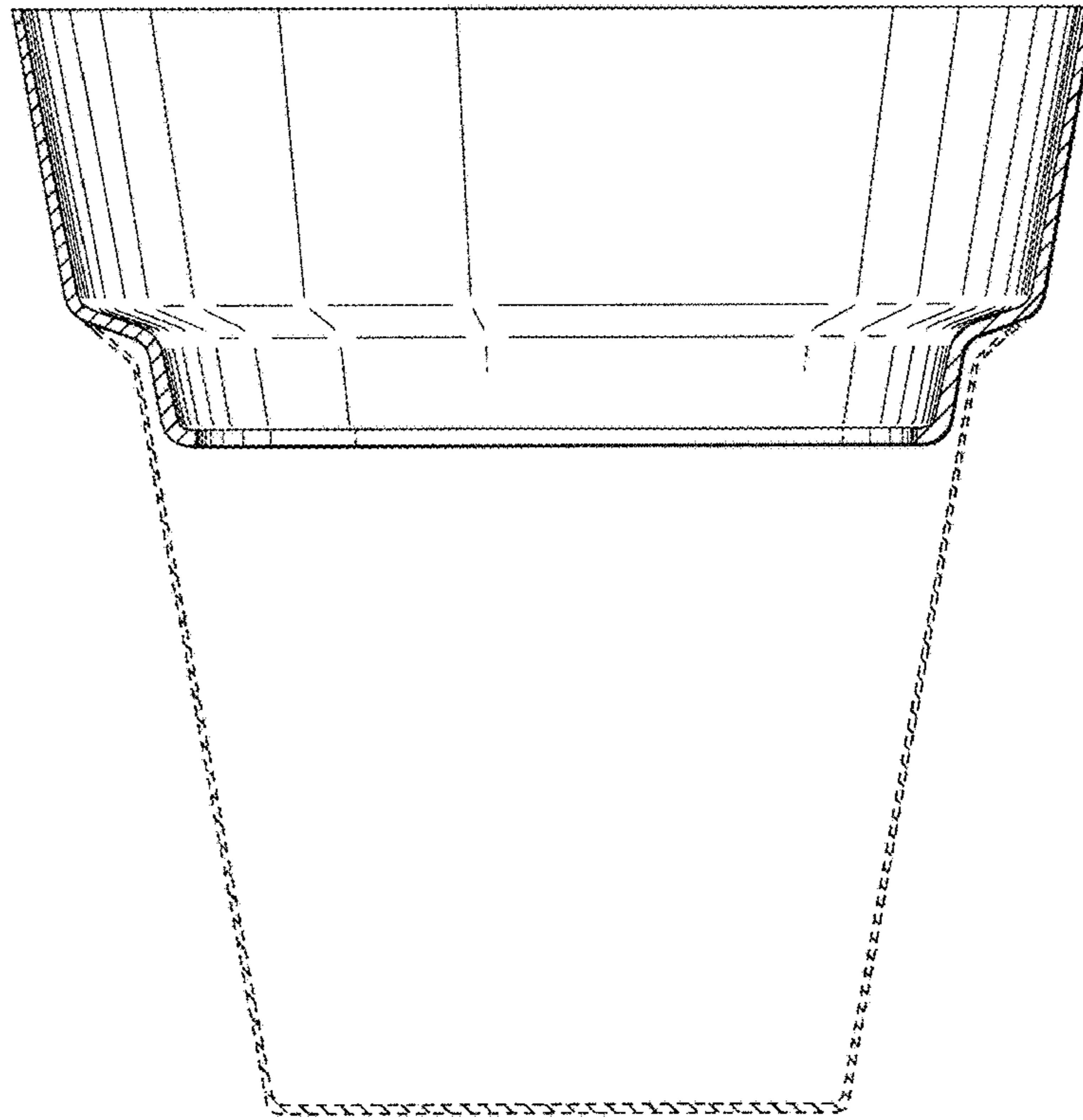


FIG.8

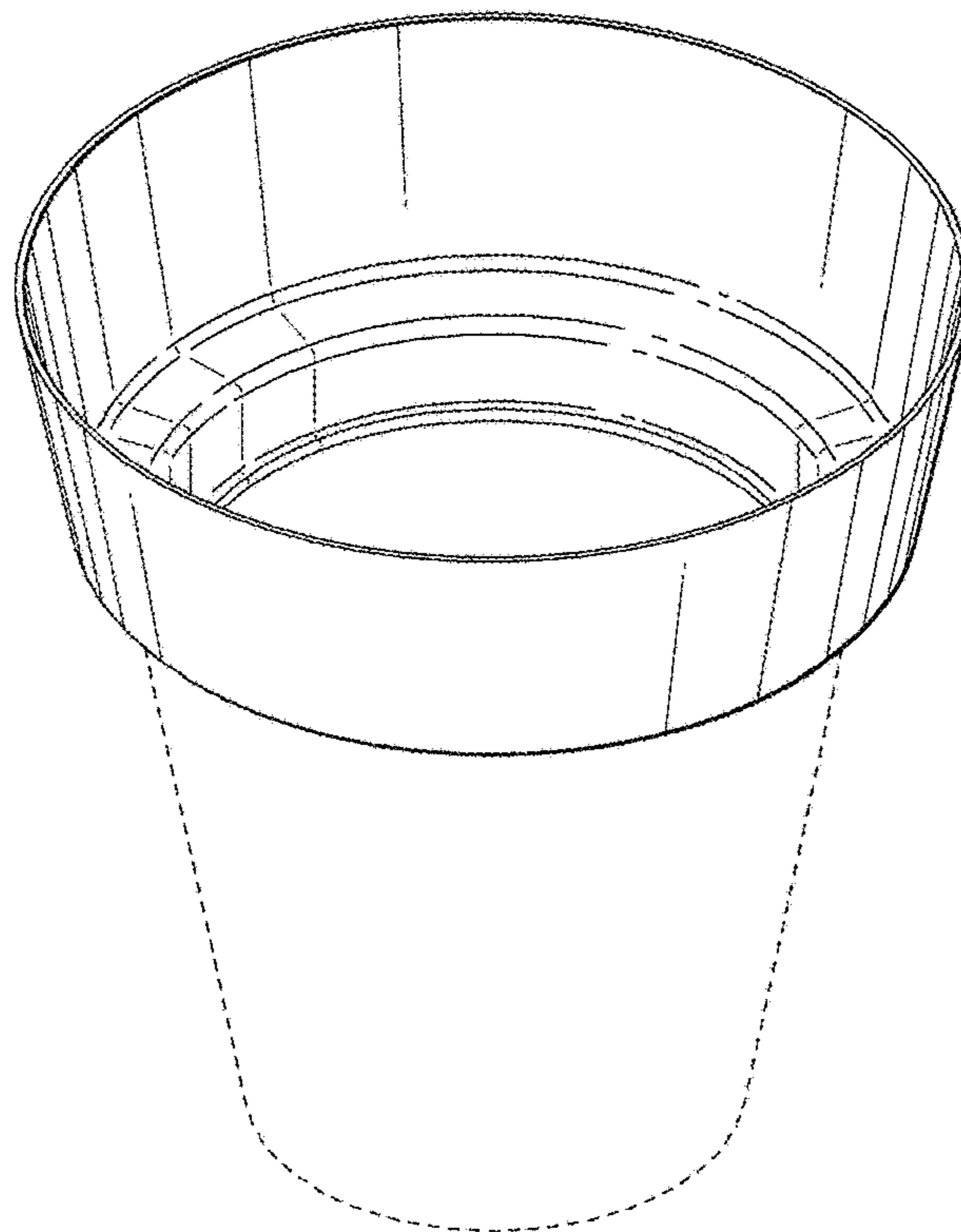


FIG. 9

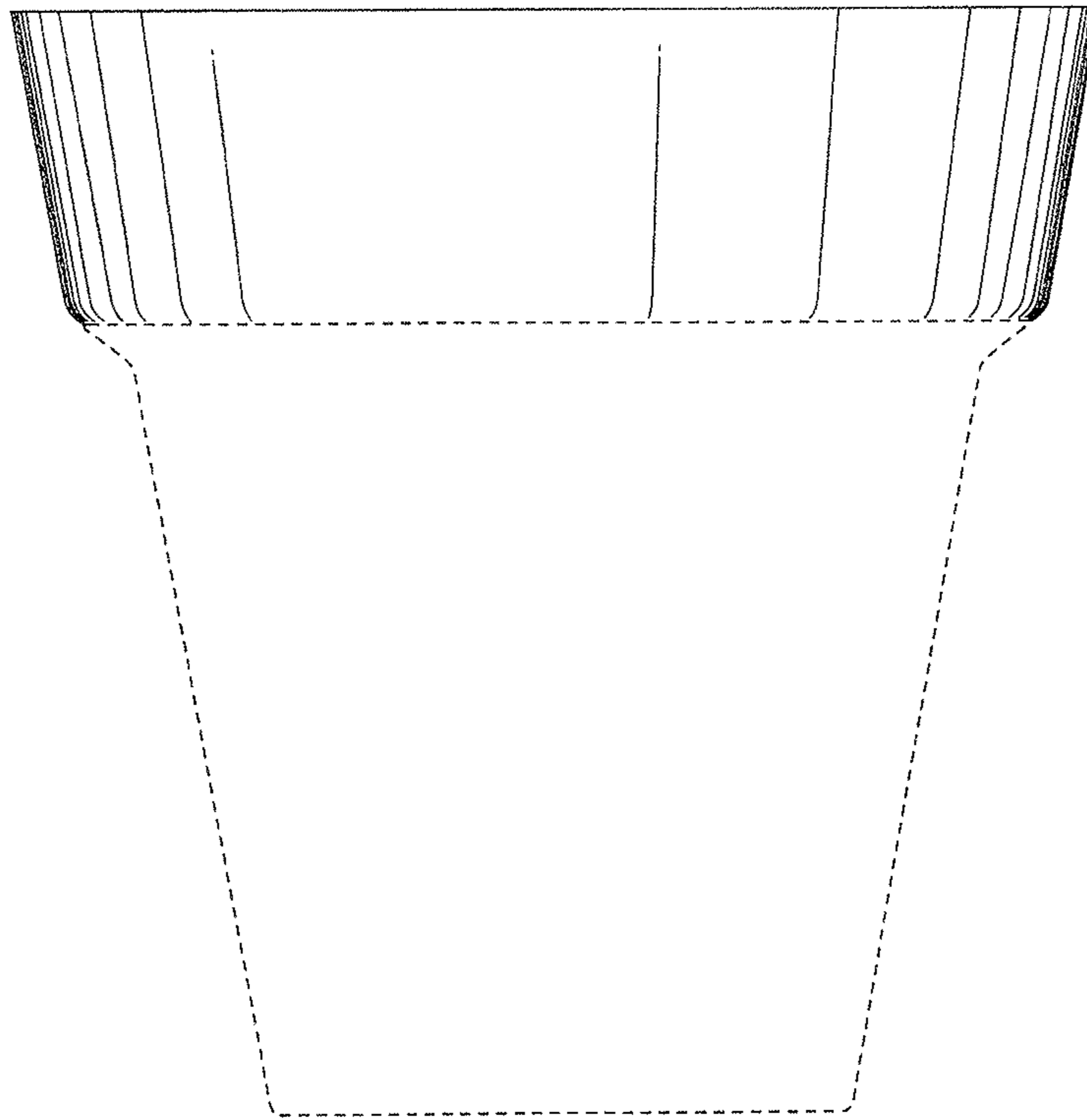


FIG. 10

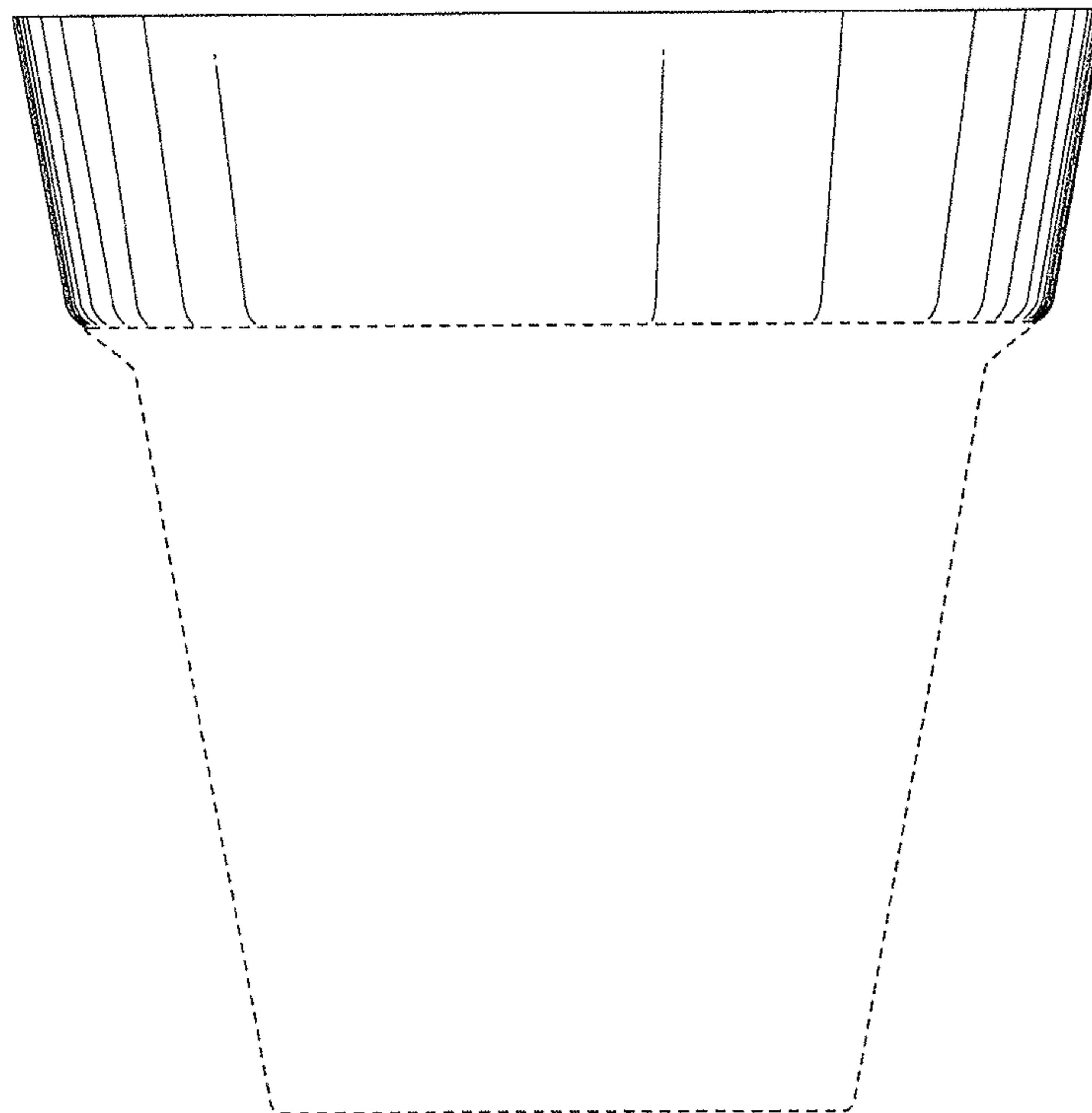


FIG. 11

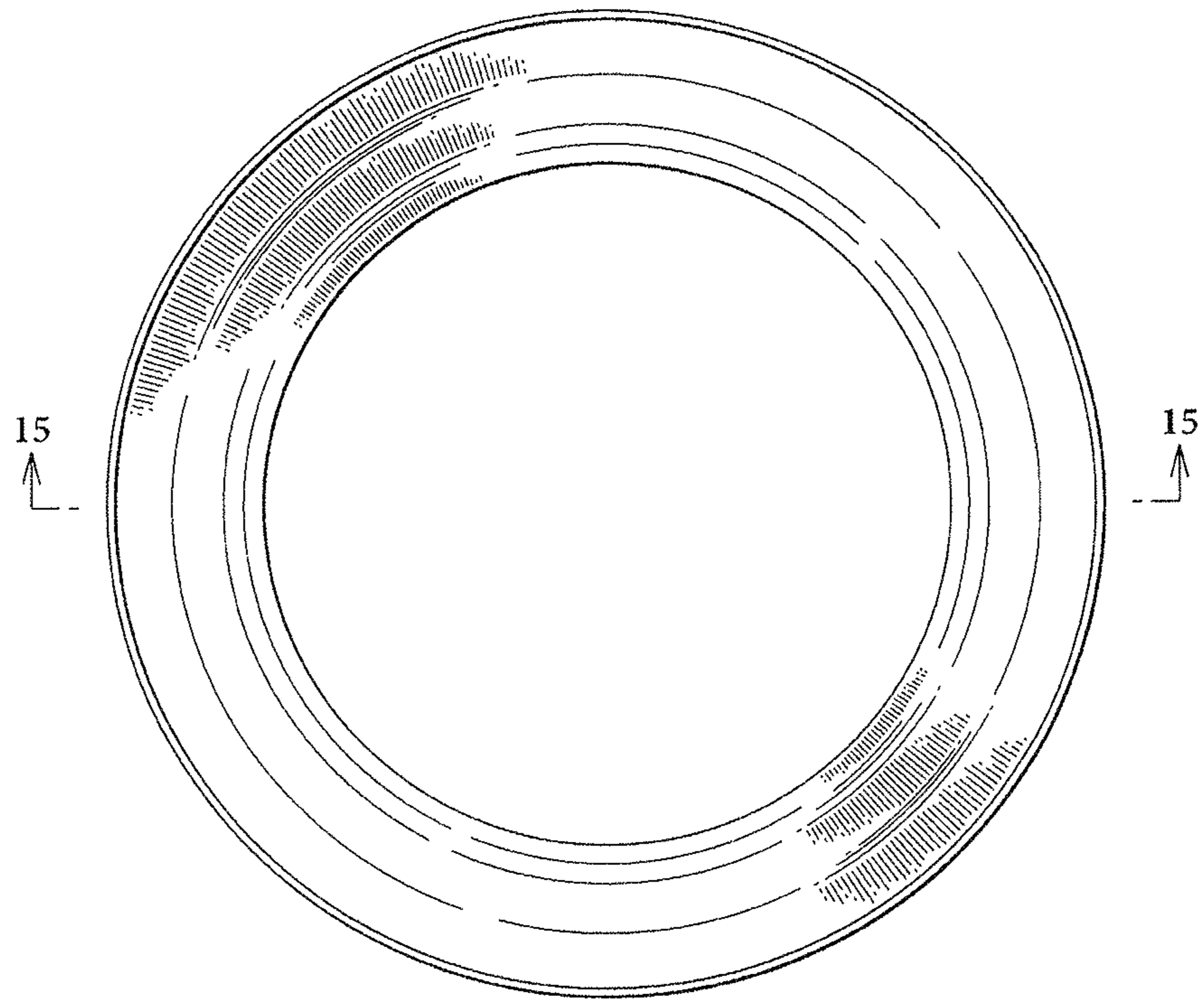


FIG. 12

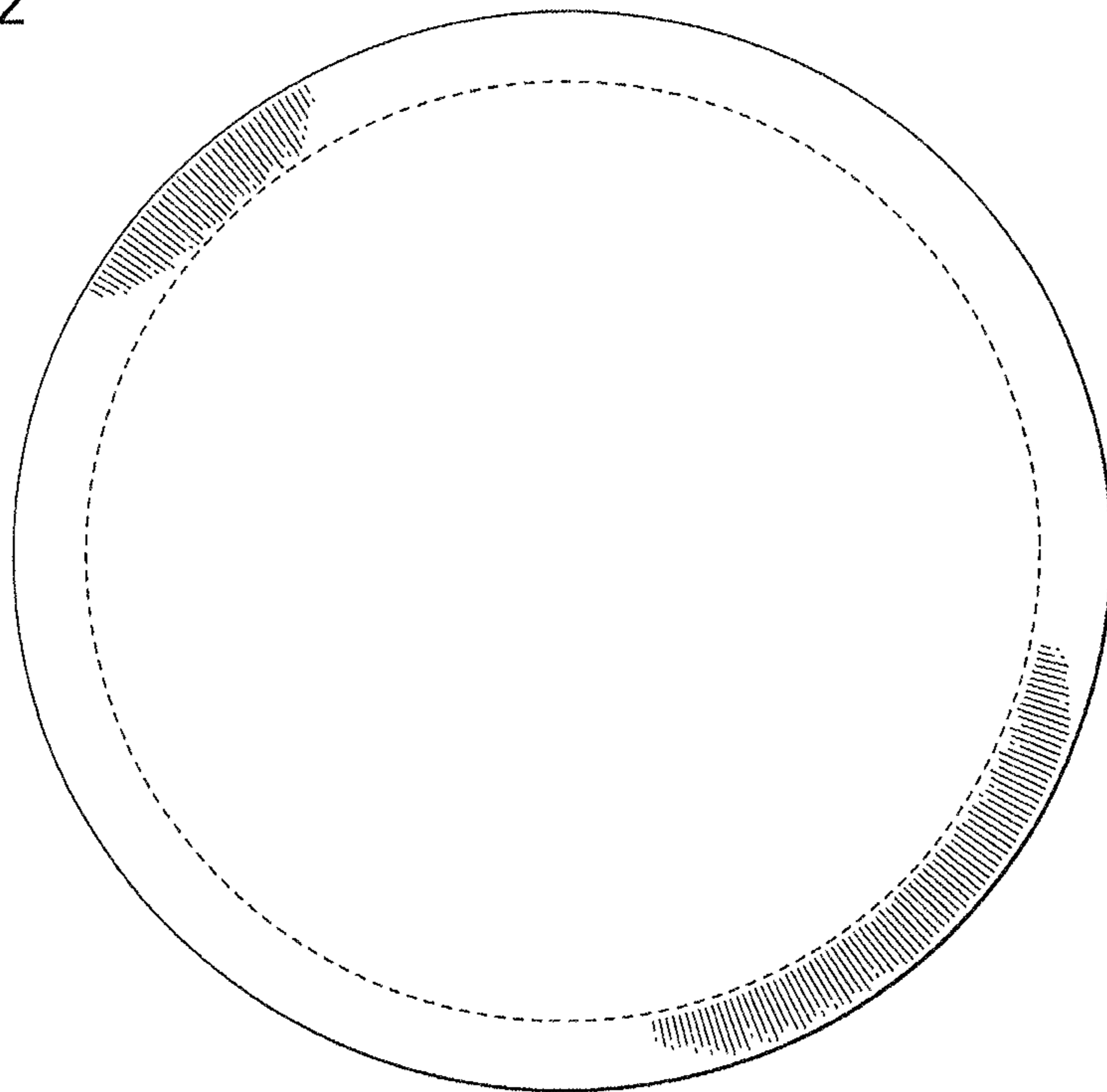


FIG. 13

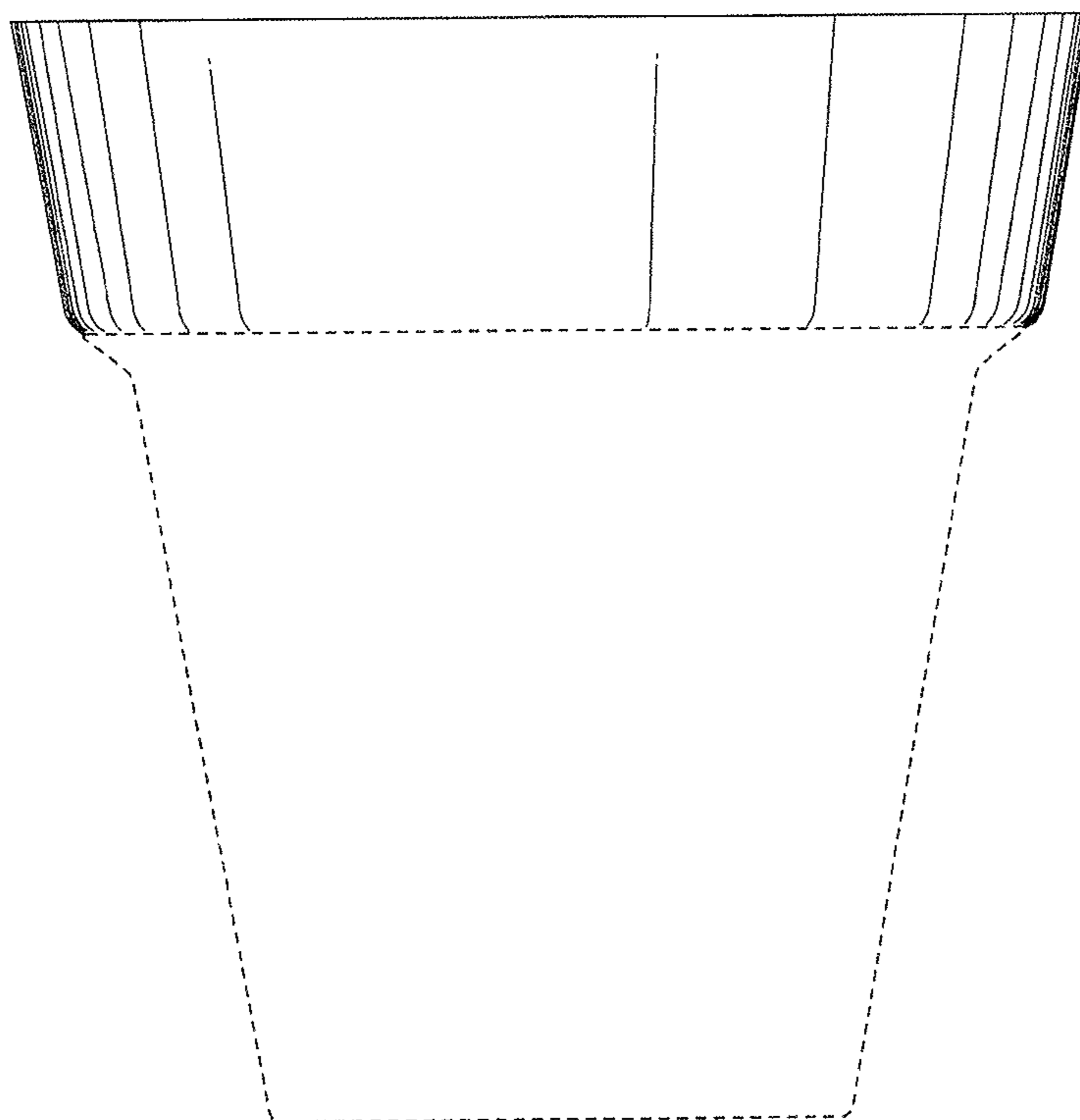


FIG. 14

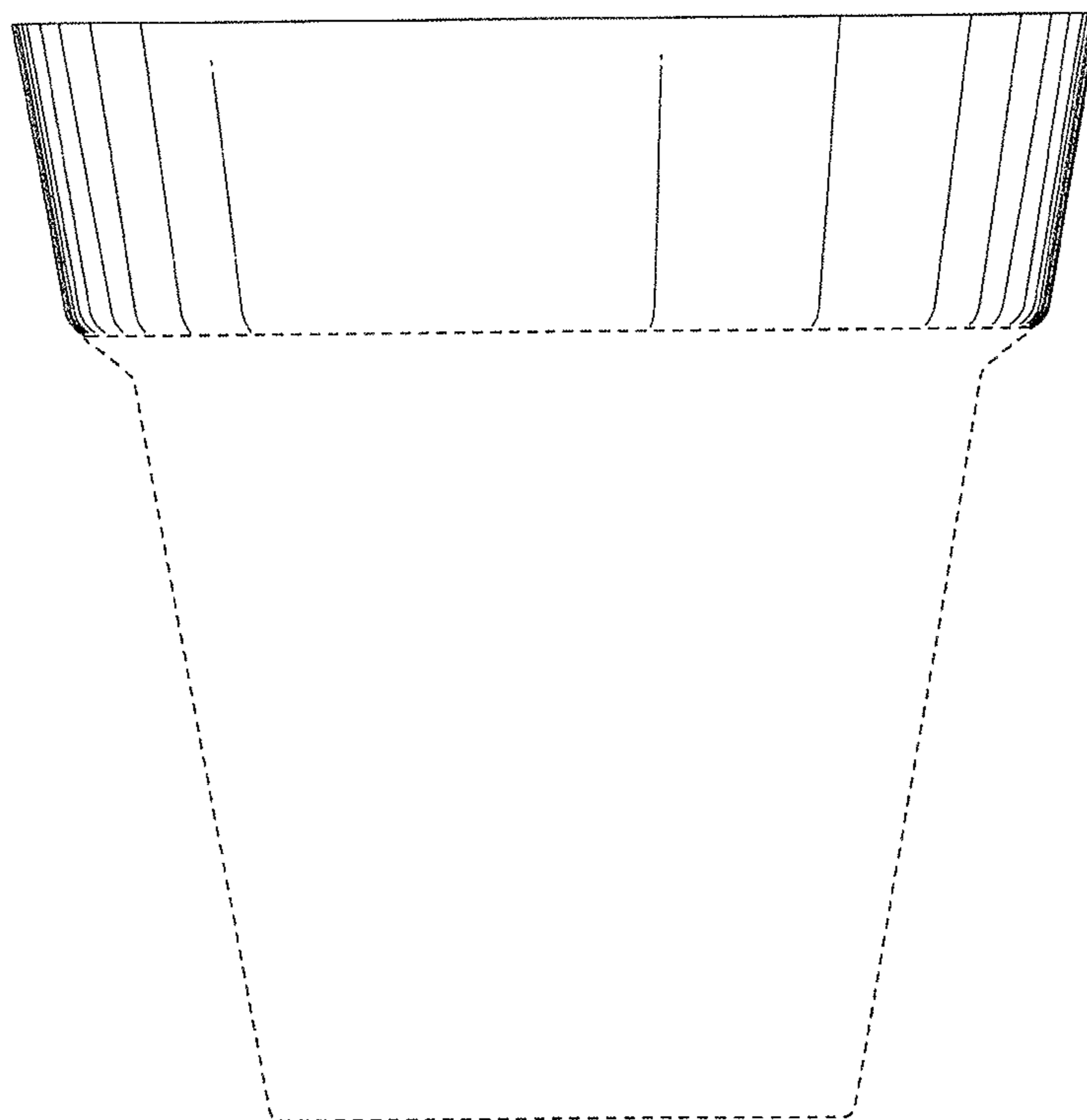


FIG. 15

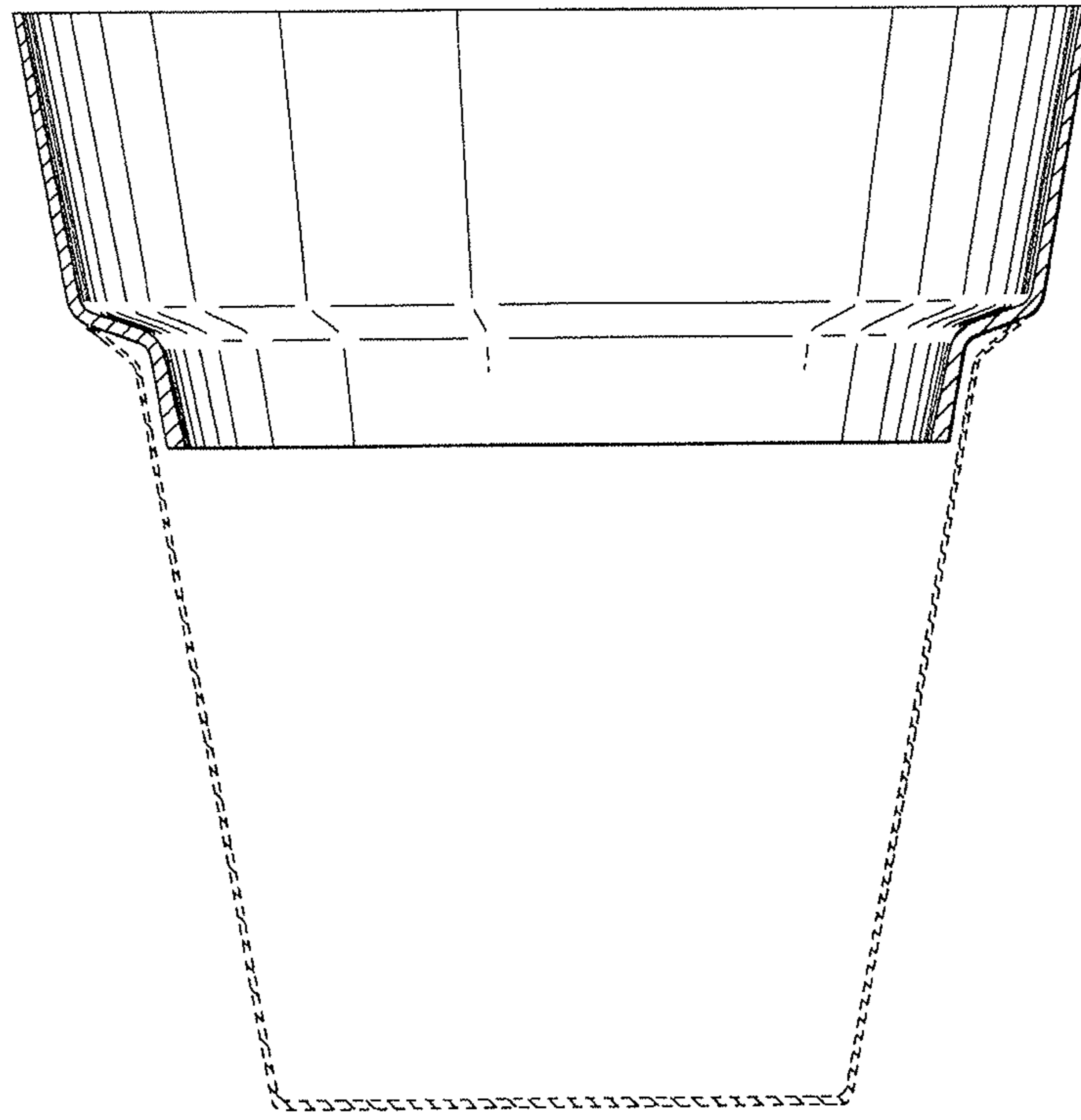


FIG. 16

