



US00D872871S

(12) **United States Design Patent**
Roberts

(10) **Patent No.:** **US D872,871 S**
(45) **Date of Patent:** **** Jan. 14, 2020**

(54) **SANITIZING CHAMBER FOR CONTINUOUS POSITIVE AIR PRESSURE EQUIPMENT**

D325,124 S * 4/1992 Young D3/283
D326,772 S * 6/1992 Kennedy D3/233
D339,129 S * 9/1993 Watson D14/138 R
5,713,137 A 2/1998 Fujita

(Continued)

(71) Applicant: **Exceleron Medical, LLC.**, St. Paul, MN (US)

(72) Inventor: **Keith Roberts**, St. Paul, MN (US)

(73) Assignee: **Exceleron Medical, LLC.**, St. Paul, MN (US)

(**) Term: **15 Years**

(21) Appl. No.: **29/644,265**

(22) Filed: **Apr. 16, 2018**

(51) **LOC (12) Cl.** **24-01**

(52) **U.S. Cl.**
USPC **D24/217; D3/203.1**

(58) **Field of Classification Search**
USPC D24/216, 217, 218, 219, 227-232;
D32/1, 25; D3/201, 203.1, 203.2, 203.3,
D3/203.4, 294, 289, 301; D7/629;
D9/414, 418, 419, 420, 423, 430, 428,
D9/432; D14/138 R; 383/97
CPC A61L 2/26; A61L 2/24; A61L 2/17; A61L
2/18; A61L 2/025; A61L 2202/122; A61L
2202/10; A61L 2202/11; A61L 2202/14;
A61L 2202/23; A61L 2202/24; A61L
2202/182

See application file for complete search history.

(56) **References Cited**

U.S. PATENT DOCUMENTS

1,318,652 A * 10/1919 Farkas B65D 75/5877
383/21
D106,132 S * 9/1937 Doppelt D3/301
D285,868 S * 9/1986 Davis D3/289
4,706,856 A * 11/1987 Jacober A45F 3/04
224/153
5,047,021 A 9/1991 Utterberg
D322,788 S * 12/1991 Jayez D14/138 R

OTHER PUBLICATIONS

Kattee Mens Travel Toiletry Bag, posted at amazon.com, no posting date given, online, URL: https://www.amazon.com/dp/B01N1ZKVK0/ref=sspa_dk_detail_3?pd_rd_i=B01N1ZKVK0&pd_rd_w=bkt7G&pf_rd_p=80559f3c-f83b-49c1-8a72-40f936e9df7a&pd_rd_wg=AihJc&pf_rd_r=ZZ8A672CNC26R XRDEJY2M&pd_rd_r=3dcb6c67-466a-11e9-8c57 (Year: 2019).*

(Continued)

Primary Examiner — Barbara Fox

Assistant Examiner — Mary Shannon Malley

(74) *Attorney, Agent, or Firm* — Michael A. Bondi; Moss & Barnett

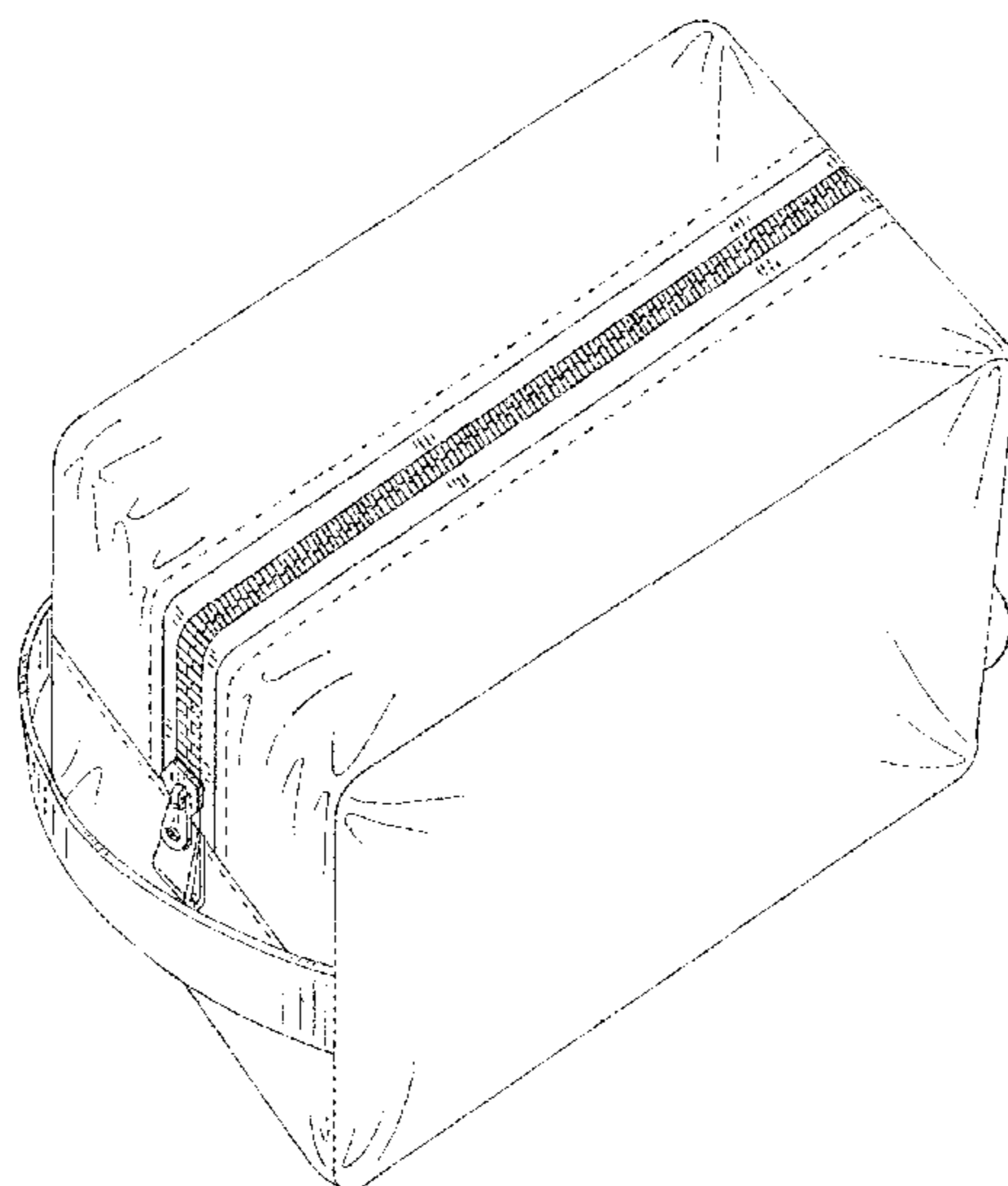
(57) **CLAIM**

The ornamental design for a sanitizing chamber for continuous positive air pressure equipment, as shown and described.

DESCRIPTION

FIG. 1 is a perspective view of the sanitizing chamber for continuous positive air pressure equipment;
FIG. 2 is a top view of the sanitizing chamber for continuous positive air pressure equipment;
FIG. 3 is a bottom view of the sanitizing chamber for continuous positive air pressure equipment;
FIG. 4 is a first end view of the sanitizing chamber for continuous positive air pressure equipment;
FIG. 5 is a second end view of the sanitizing chamber for continuous positive air pressure equipment;
FIG. 6 is a first side view of the sanitizing chamber for continuous positive air pressure equipment; and,
FIG. 7 is a second side view of the sanitizing chamber for continuous positive air pressure equipment.

1 Claim, 6 Drawing Sheets



(56)

References Cited

U.S. PATENT DOCUMENTS

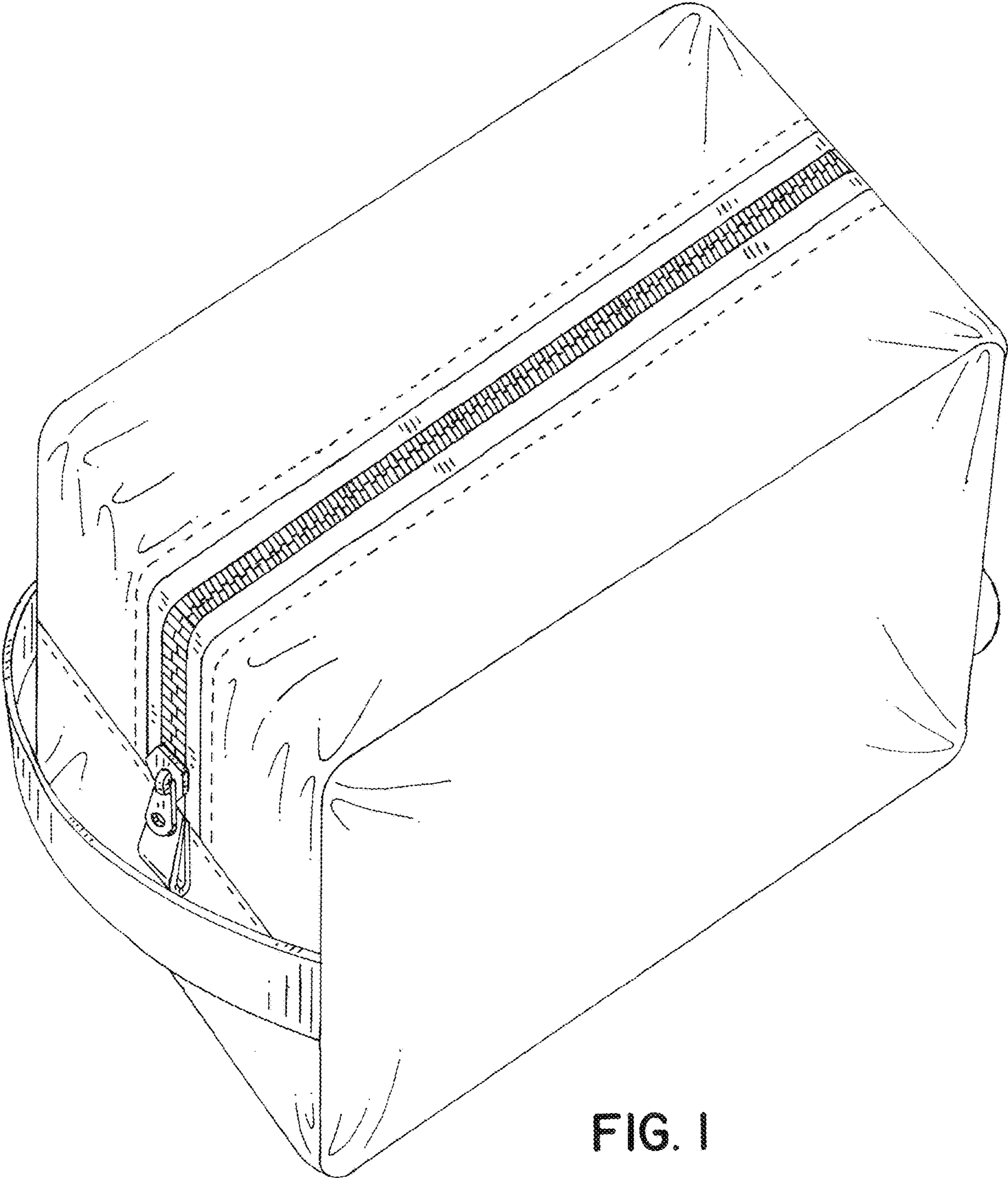
6,109,442 A * 8/2000 Roegner A45C 11/00
150/106
6,134,806 A 10/2000 Dhaemers
6,142,670 A * 11/2000 Kramer A45C 3/12
206/315.1
D455,551 S * 4/2002 Stephens D3/276
7,152,737 B2 * 12/2006 Chin A45C 13/103
206/494
D547,063 S * 7/2007 Soetardjo D3/269
D565,837 S * 4/2008 Miles D3/203.1
D605,854 S * 12/2009 Gracer D3/289
8,038,963 B1 10/2011 Chen
D723,804 S * 3/2015 Coleman D3/301
9,358,316 B2 6/2016 Leyva
9,610,373 B2 4/2017 Leyva
9,616,147 B2 4/2017 Leyva
9,669,124 B2 6/2017 Leyva
9,895,461 B2 2/2018 Leyva
D812,896 S * 3/2018 Hutzler D3/203.1
9,907,872 B2 3/2018 Schmidt
D830,686 S * 10/2018 Rogers D3/217
D839,586 S * 2/2019 Li D3/205
2003/0044308 A1 3/2003 Toth

2008/0118411 A1 5/2008 D'Arinzo
2014/0154134 A1 6/2014 Leyva
2016/0235875 A1 8/2016 Leyva
2016/0235876 A1 8/2016 Leyva
2016/0243268 A1 8/2016 Leyva
2016/0243269 A1 8/2016 Leyva
2016/0250366 A1 9/2016 Leyva
2017/0165443 A1 6/2017 Leyva
2017/0202990 A1 7/2017 Leyva
2017/0209610 A1 7/2017 Leyva
2017/0225985 A1 8/2017 Leyva
2018/0140730 A1 5/2018 Leyva
2018/0161466 A1 6/2018 Schmidt

OTHER PUBLICATIONS

Tineye reverse image search on NPL reference "Kattee Mens Travel Toiletry Bag", first found May 31, 2017, online, URL:<https://tineye.com/search/7e3171e1474cb7778c4132da7b039908fe4ec572/> (Year: 2017).*
CPAP Sanitizer VirtuCLEAN, posted at mckesson.com, no posting date available, online, URL:<https://mms.mckesson.com/product/1087308/HLS-2200> (Year: 2019).*

* cited by examiner



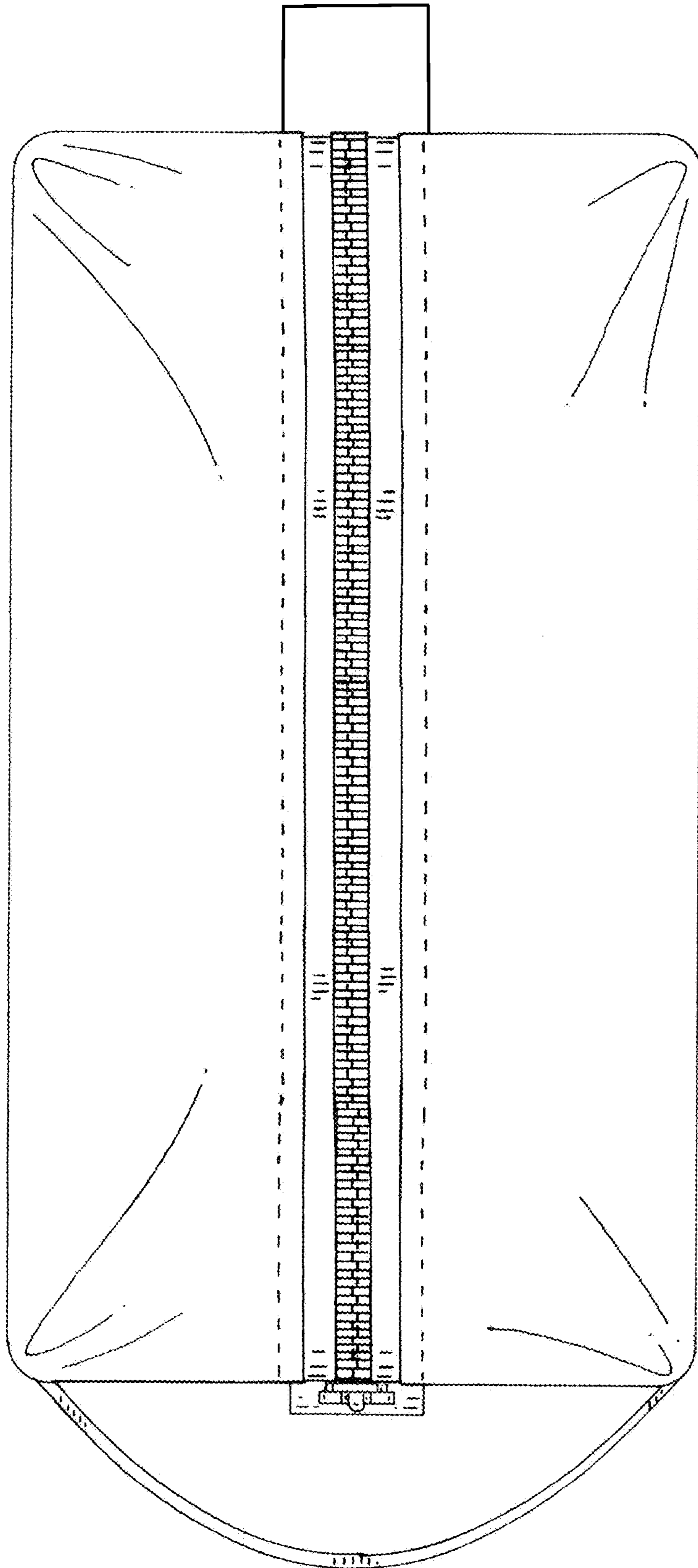


FIG. 2

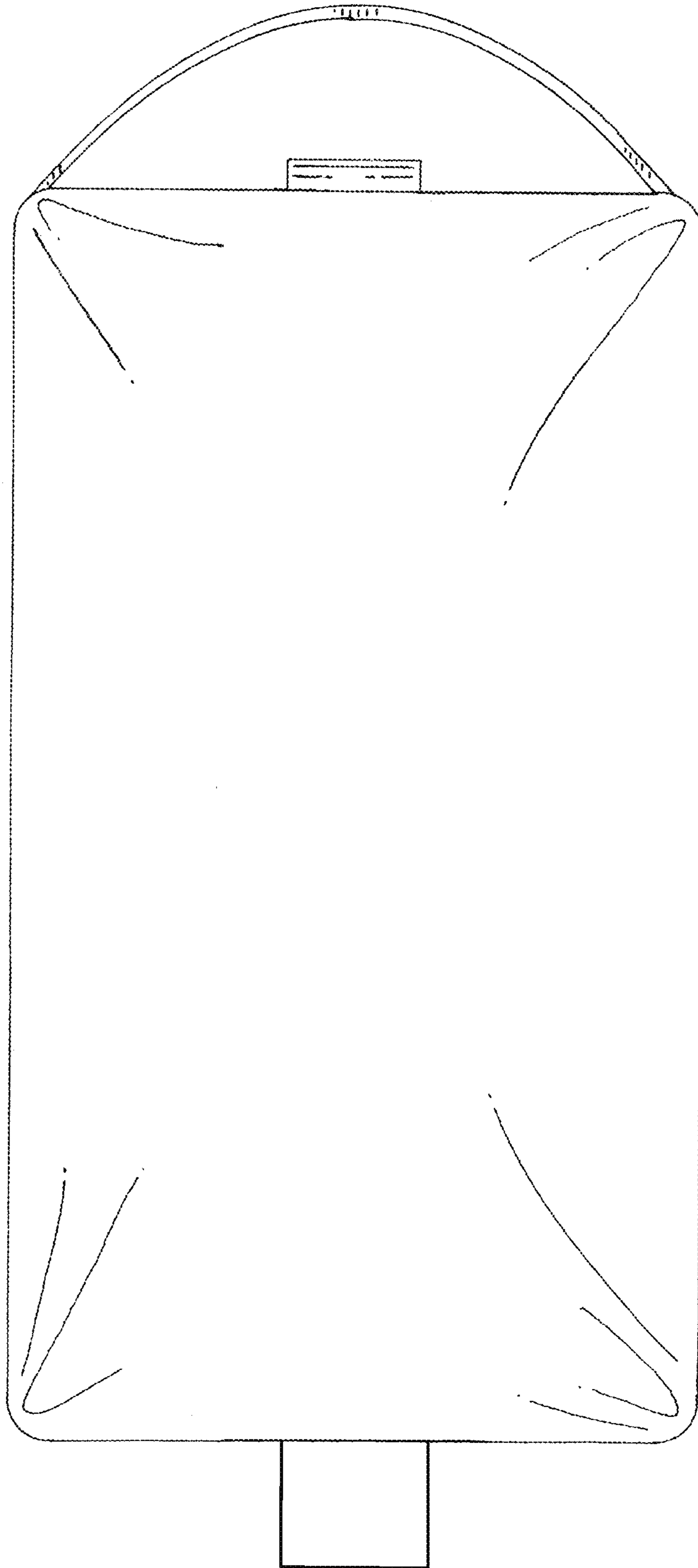


FIG. 3

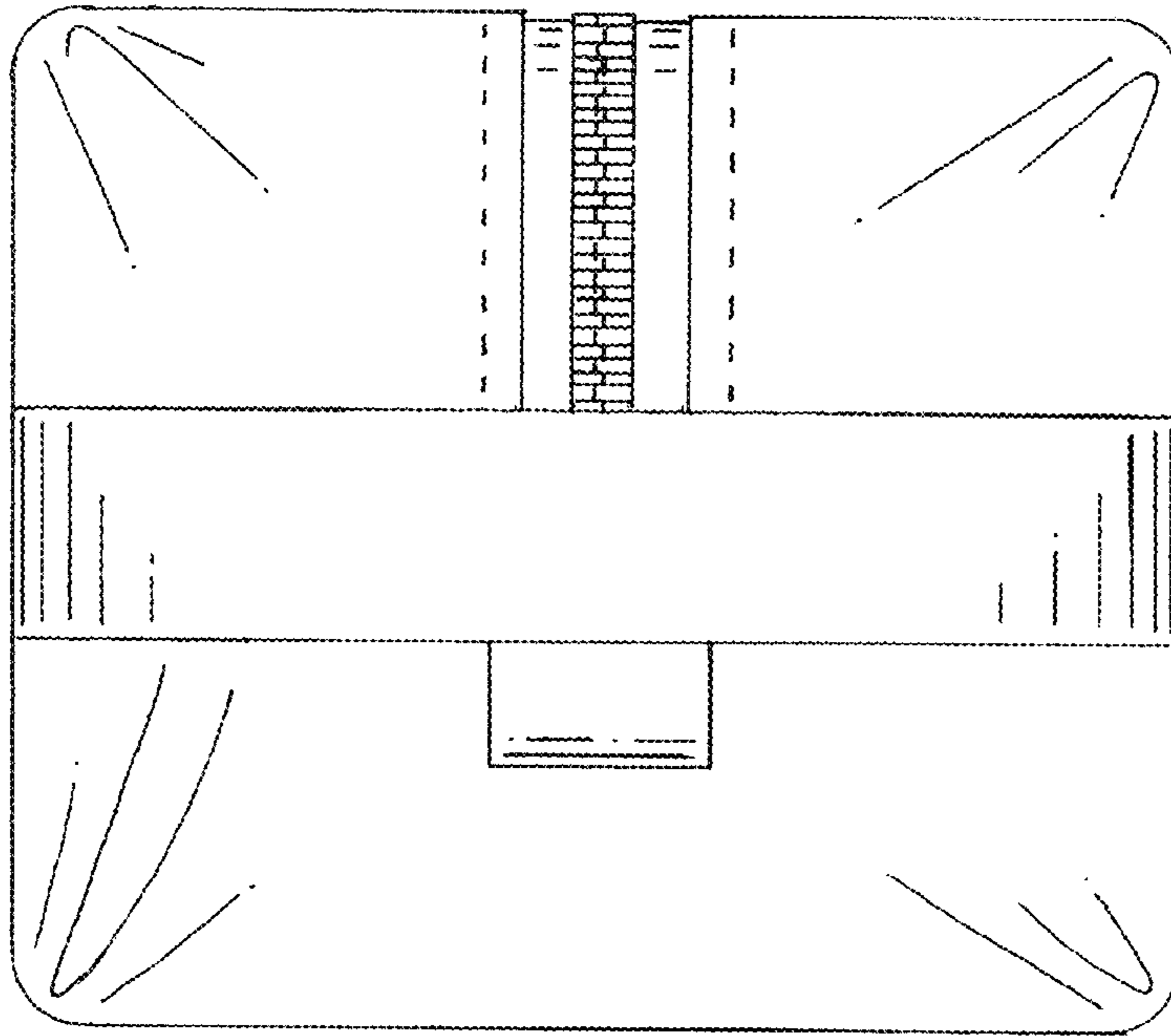


FIG. 4

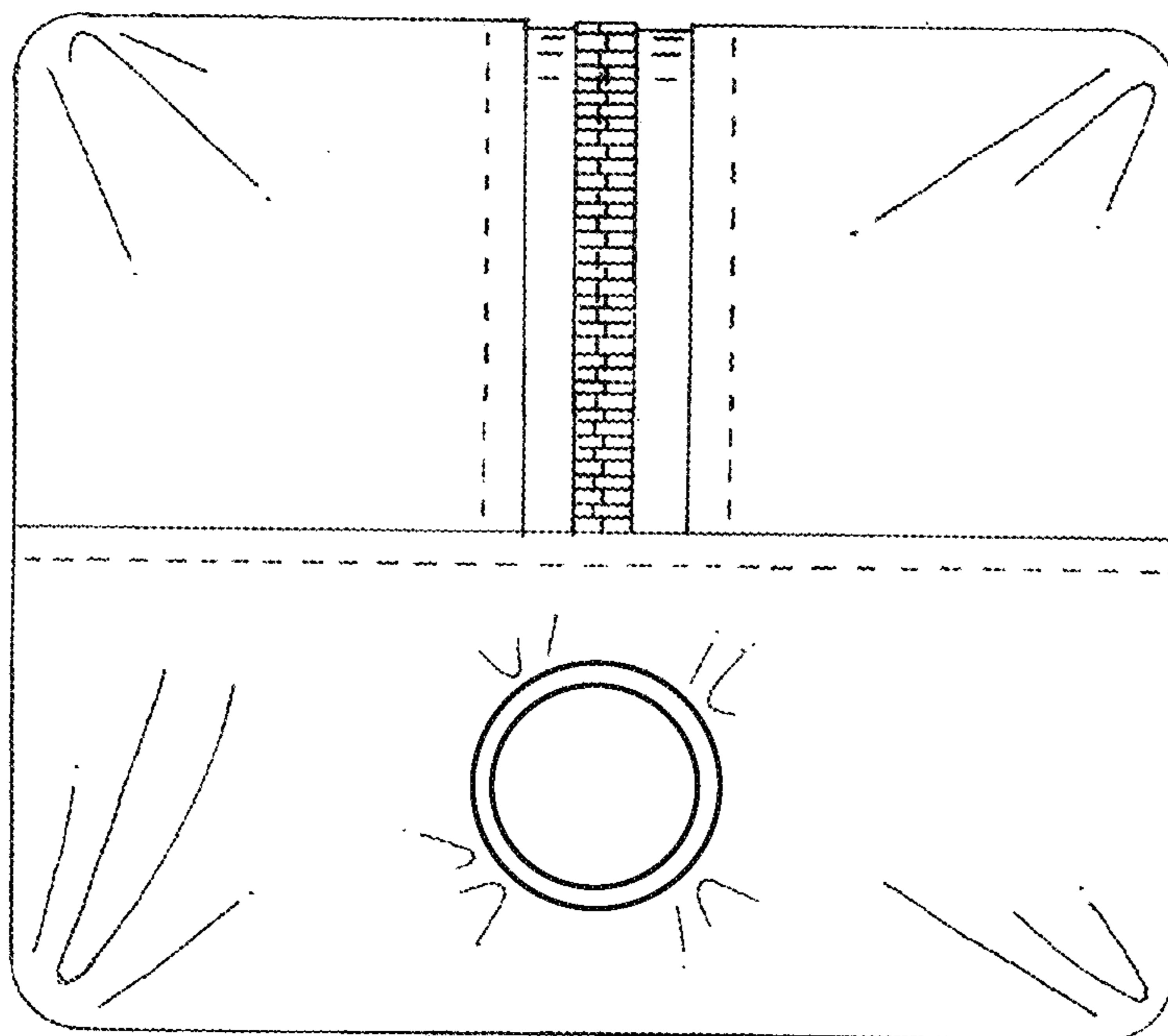


FIG. 5

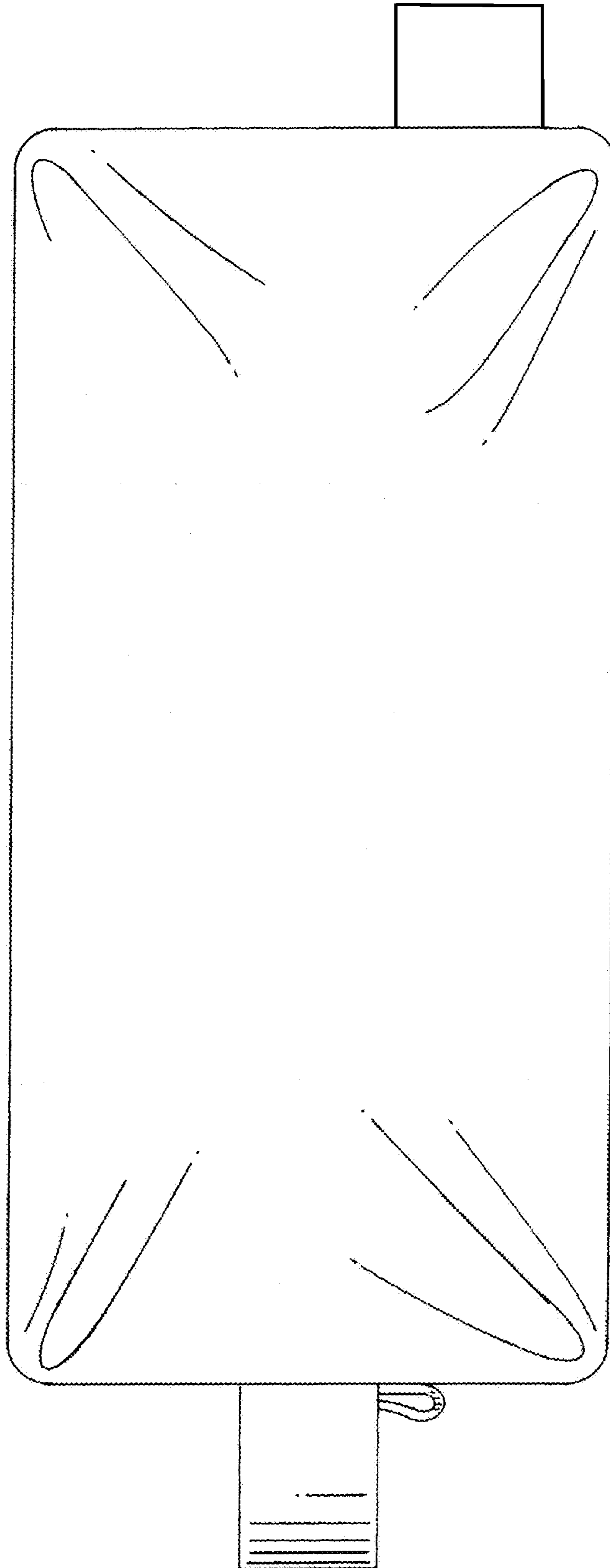


FIG. 6

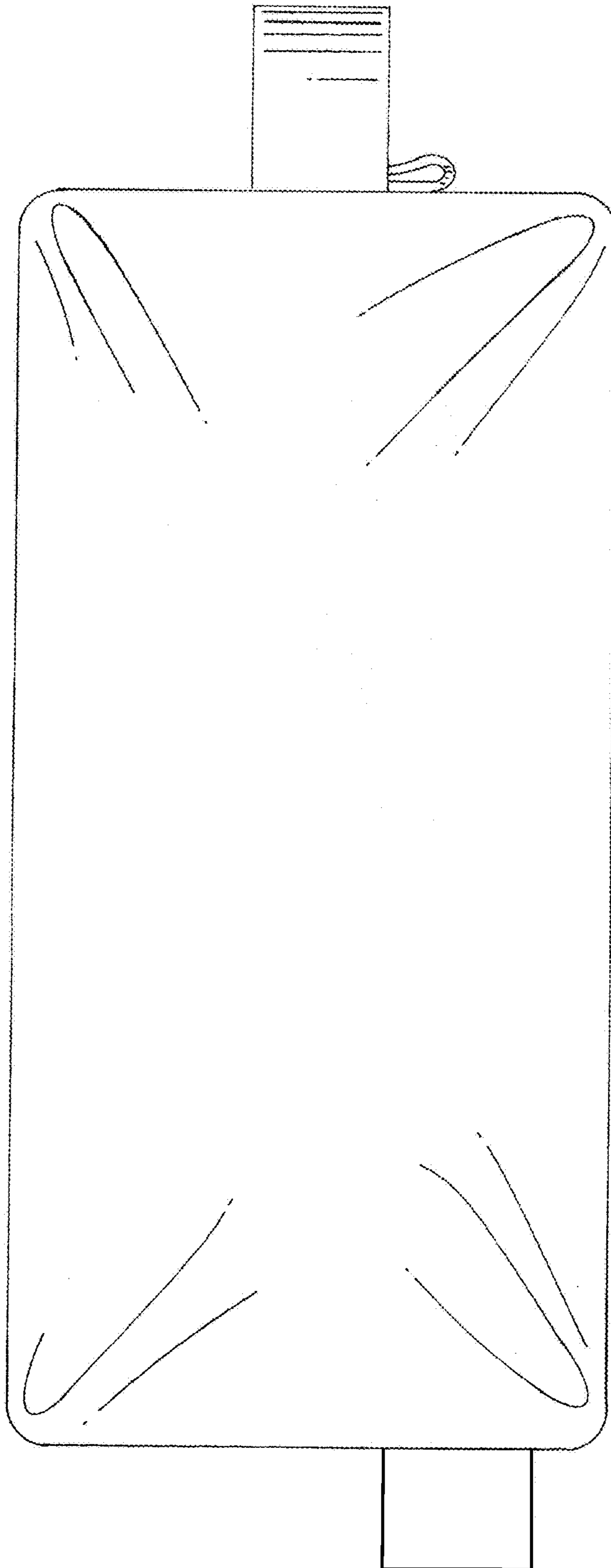


FIG. 7