



US00D872869S

(12) **United States Design Patent** (10) **Patent No.:** **US D872,869 S**  
**Lu** (45) **Date of Patent:** **\*\* Jan. 14, 2020**

(54) **MESSAGE GUN**  
(71) Applicant: **YONGKANG WEIDE INDUSTRY AND TRADE CO., LTD.**, Yongkang (CN)  
(72) Inventor: **Huahua Lu**, Yongkang (CN)  
(73) Assignee: **YONGKANG WEIDE INDUSTRY AND TRADE CO., LTD.**, Yongkang (CN)

4,989,613 A \* 2/1991 Finkenberg ..... A61B 5/4504  
601/46  
D329,291 S \* 9/1992 Wollman ..... D24/200  
D329,292 S \* 9/1992 Wollman ..... D24/200  
D331,467 S \* 12/1992 Wollman ..... D24/200  
D388,175 S \* 12/1997 Lie ..... D24/215  
5,925,002 A \* 7/1999 Wollman ..... A61H 23/0263  
601/46  
D430,938 S \* 9/2000 Lee ..... D24/214  
(Continued)

(\*\*) Term: **15 Years**  
(21) Appl. No.: **29/701,380**  
(22) Filed: **Aug. 12, 2019**  
(51) **LOC (12) Cl.** ..... **28-03**  
(52) **U.S. Cl.**  
USPC ..... **D24/215**  
(58) **Field of Classification Search**  
USPC ..... 601/15, 18, 19, 27, 28, 29, 30, 31, 32,  
601/46, 47, 48, 52, 72, 99, 112, 113, 118,  
601/135, 137, DIG. 12, DIG. 14, DIG. 15,  
601/DIG. 16, DIG. 17; D24/200, 211,  
D24/212, 213, 214, 215; D8/14.1;  
607/85  
CPC .. A61H 23/0254; A61H 1/008; A61H 23/006;  
A61H 7/007  
See application file for complete search history.

(56) **References Cited**  
U.S. PATENT DOCUMENTS  
1,594,636 A \* 8/1926 Smith ..... A61H 23/02  
601/46  
1,784,301 A \* 12/1930 Mekler ..... A61H 9/005  
601/112  
3,968,789 A \* 7/1976 Simoncini ..... A46B 13/04  
D24/215  
4,691,693 A \* 9/1987 Sato ..... A61H 7/003  
601/15

**OTHER PUBLICATIONS**

Amazon, "Theragun G3PRO Percussive Therapy Device", Feb. 13, 2019. [https://www.amazon.com/G3PRO-Percussive-Professional-Stimulator-Performance/dp/B07MJ2MCT3/ref=cm\\_cr\\_arp\\_d\\_product\\_top?ie=UTF8](https://www.amazon.com/G3PRO-Percussive-Professional-Stimulator-Performance/dp/B07MJ2MCT3/ref=cm_cr_arp_d_product_top?ie=UTF8). Shown on p. 1. (Year: 2019).\*  
(Continued)

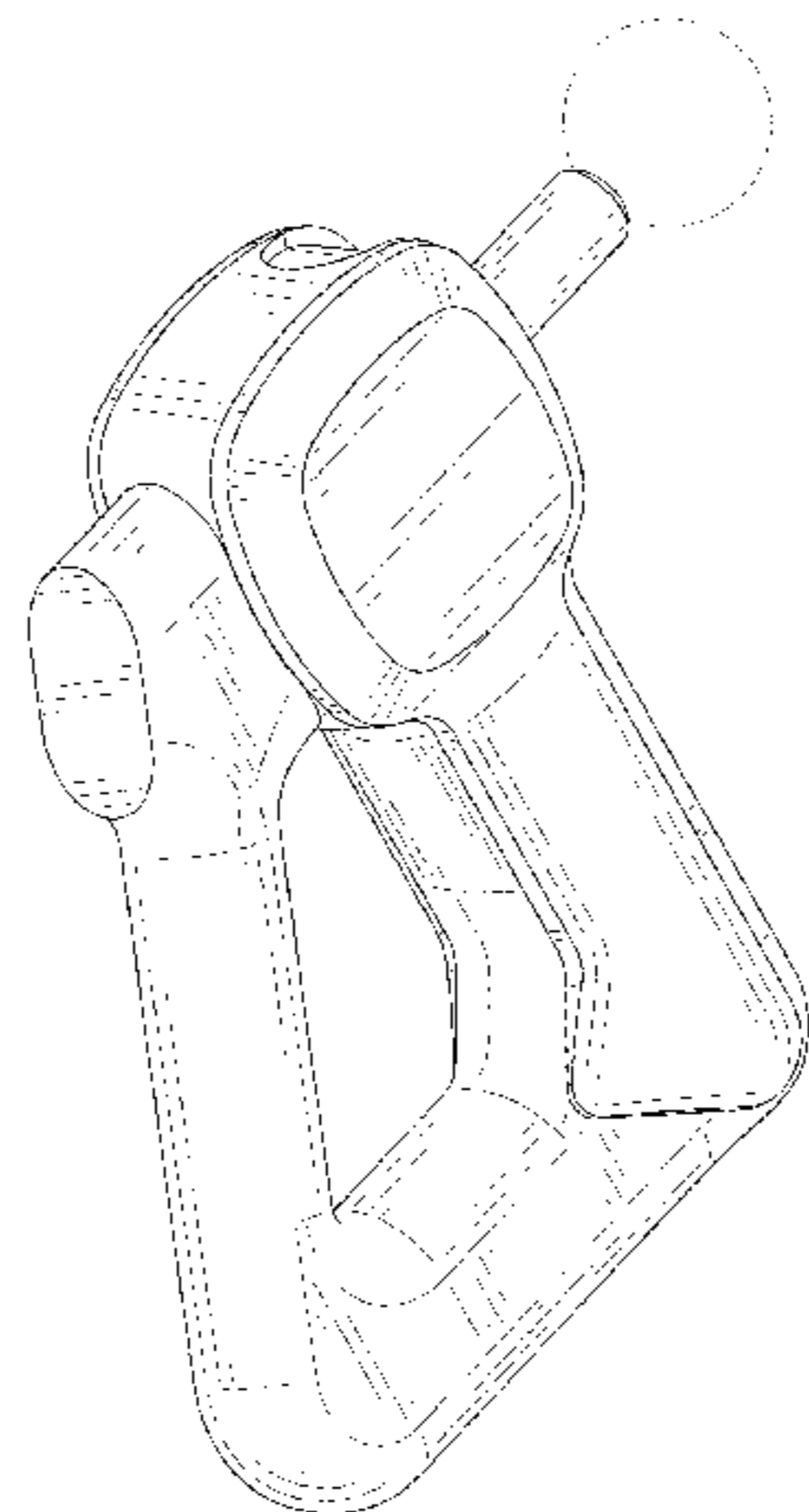
*Primary Examiner* — Cynthia Ramirez  
*Assistant Examiner* — Michael A Maharajh

(57) **CLAIM**  
The ornamental design for a massage gun, as shown and described.

**DESCRIPTION**

FIG. 1 is a perspective view of a massage gun showing my new design;  
FIG. 2 is another perspective view thereof;  
FIG. 3 is a front elevation view thereof;  
FIG. 4 is a rear elevation view thereof;  
FIG. 5 is a left side elevation view thereof;  
FIG. 6 is a right side elevation view thereof;  
FIG. 7 is a top plan view thereof;  
FIG. 8 is a bottom plan view thereof; and,  
FIG. 9 is another perspective view thereof shown that the massage gun be in a changing state.  
The broken lines shown in the drawings are for the purpose of illustrating portions of the massage gun, which form no part of the claimed design.

**1 Claim, 9 Drawing Sheets**



(56)

References Cited

U.S. PATENT DOCUMENTS

D448,852 S \* 10/2001 Engelen ..... D24/215  
 6,401,289 B1 \* 6/2002 Herbert ..... A61H 7/005  
 601/137  
 D476,746 S \* 7/2003 Harris ..... D24/214  
 D531,733 S \* 11/2006 Burout, III ..... D24/215  
 D553,252 S \* 10/2007 Masuda ..... D24/214  
 D606,192 S \* 12/2009 Summerer ..... D24/133  
 D649,657 S \* 11/2011 Petersen ..... D24/215  
 D658,759 S \* 5/2012 Marescaux ..... D24/133  
 8,435,194 B2 \* 5/2013 Dverin ..... A61B 18/14  
 601/112  
 D703,337 S \* 4/2014 Fuhr ..... D24/200  
 D706,433 S \* 6/2014 Fuhr ..... D24/200  
 D708,742 S \* 7/2014 Dallemagne ..... D24/133  
 D734,863 S \* 7/2015 Hennessey ..... D24/214  
 D735,348 S \* 7/2015 Hennessey ..... D24/211  
 D759,237 S \* 6/2016 Heath ..... D24/133  
 D759,238 S \* 6/2016 Heath ..... D24/133  
 D763,442 S \* 8/2016 Price ..... D24/133  
 D778,439 S \* 2/2017 Hakansson ..... D24/133  
 D819,221 S \* 5/2018 Lei ..... D24/200  
 D823,478 S \* 7/2018 Park ..... D24/215  
 D837,395 S \* 1/2019 Gan ..... D24/214  
 D838,378 S \* 1/2019 Cao ..... D24/215  
 D840,547 S \* 2/2019 Harle ..... D24/214  
 D842,491 S \* 3/2019 Fleming ..... D24/215  
 D843,656 S \* 3/2019 Zhang ..... D24/133  
 D844,896 S \* 4/2019 Levi ..... D24/133  
 D847,362 S \* 4/2019 Tang ..... D24/215  
 D847,364 S \* 4/2019 Lee ..... D24/215  
 D847,990 S \* 5/2019 Kimball ..... D24/145  
 10,314,762 B1 \* 6/2019 Marton ..... A61H 23/006  
 10,357,425 B2 \* 7/2019 Wersland  
 D855,822 S \* 8/2019 Marton ..... D24/215  
 2002/0177795 A1 \* 11/2002 Frye ..... A61H 1/008  
 601/84  
 2002/0188233 A1 \* 12/2002 Denyes ..... A61H 19/34  
 601/DIG. 16  
 2003/0195443 A1 \* 10/2003 Miller ..... A61H 1/008  
 601/108  
 2005/0131461 A1 \* 6/2005 Tucek ..... A61H 1/008  
 601/108

2006/0116614 A1 \* 6/2006 Jones ..... A61H 15/0085  
 601/46  
 2006/0211961 A1 \* 9/2006 Meyer ..... A61H 7/005  
 601/15  
 2010/0145242 A1 \* 6/2010 Tsai ..... A61H 7/004  
 601/135  
 2010/0160841 A1 \* 6/2010 Wu ..... A61H 7/004  
 601/135  
 2010/0274162 A1 \* 10/2010 Evans ..... A61F 7/007  
 601/15  
 2012/0197357 A1 \* 8/2012 Dewey ..... A61B 18/203  
 607/89  
 2013/0030506 A1 \* 1/2013 Bartolone ..... A61N 5/0616  
 607/89  
 2014/0221887 A1 \* 8/2014 Wu ..... A61H 15/0092  
 601/112  
 2015/0119771 A1 \* 4/2015 Roberts ..... A61H 39/04  
 601/135  
 2018/0154141 A1 \* 6/2018 Ahn ..... A61H 39/08  
 2018/0200141 A1 \* 7/2018 Wersland ..... A61H 1/008  
 2019/0175434 A1 \* 6/2019 Zhang ..... A61H 1/008  
 2019/0254921 A1 \* 8/2019 Marton ..... A61H 23/006  
 2019/0254922 A1 \* 8/2019 Marton ..... A61H 23/006

OTHER PUBLICATIONS

“Todaytop Massage Gun with 6 Massage Heads Deep Small Muscle Massage Electric Vibration Fascia Massager Sports Fitness Equipment 220V AC”, Retrieved Aug. 1, 2019]. Retrieved from Internet, <https://www.amazon.co.uk/Todaytop-Electric-Vibration-Massager-Equipment/dp/B07RTBPPYP>.  
 “RxGun QUIETec Vibration Percussion Massager Cordless Rechargeable Handheld Percussive Muscle Stimulation Device Deep Tissue Muscles, Recovery Pain Relief Professional Quiet Whisper Massage Gun”, Retrieved Aug. 1, 2019]. Retrieved from Internet, <https://www.amazon.co.uk/RxGun-QUIETec-Rechargeable-Stimulation-Professional/dp/B07MCYXYW8/>.  
 “Athletes Massage Gun, 24V Percussion Therapy Massage Gun Professional Body Massager Massage Tools 39W Fast Charge,” Retrieved Aug. 1, 2019]. Retrieved from Internet, <https://www.amazon.co.uk/Athletes-Massage-Percussion-Professional-Massager/dp/B07VM6DPCN/>.

\* cited by examiner

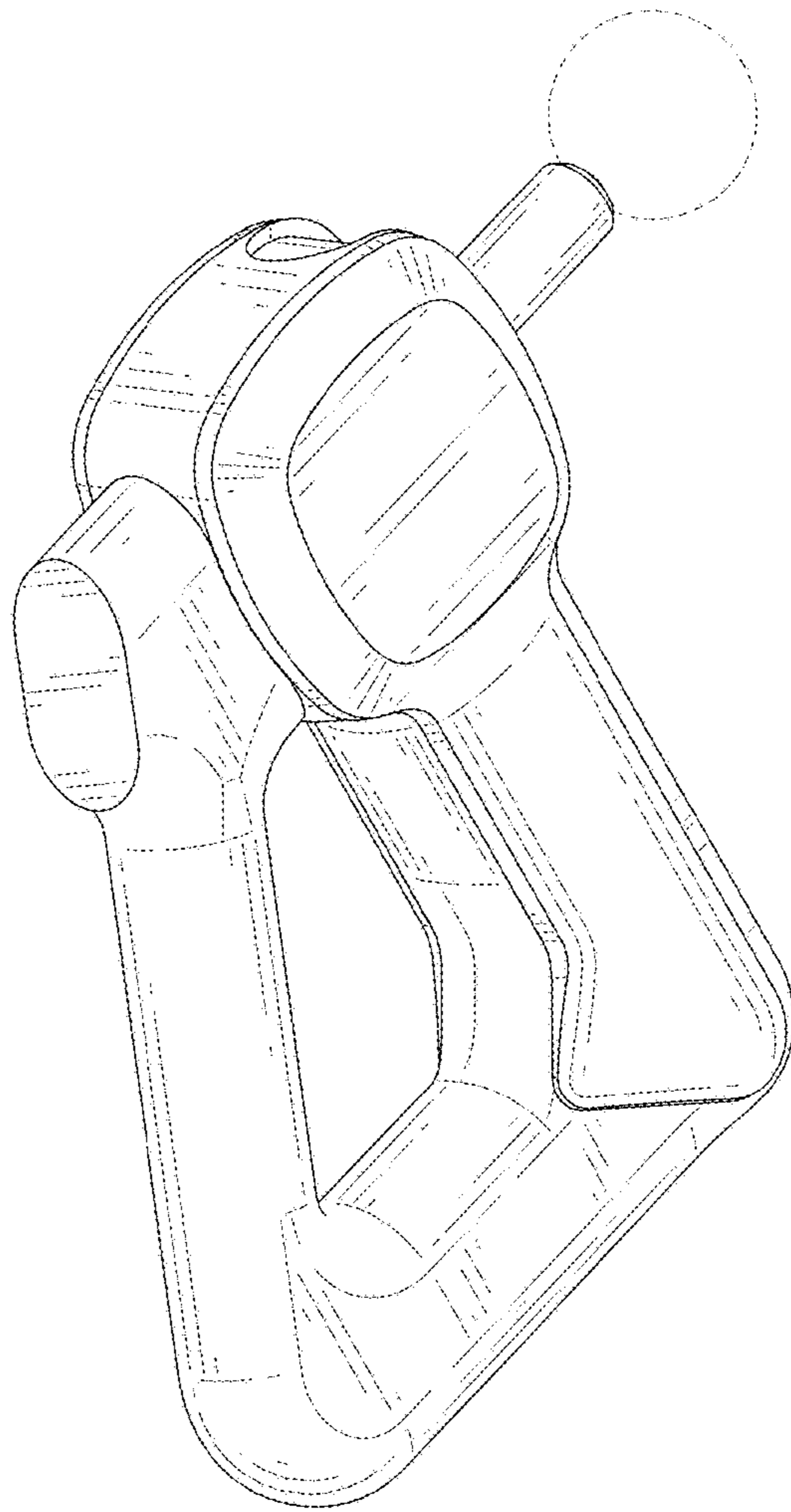


FIG. 1

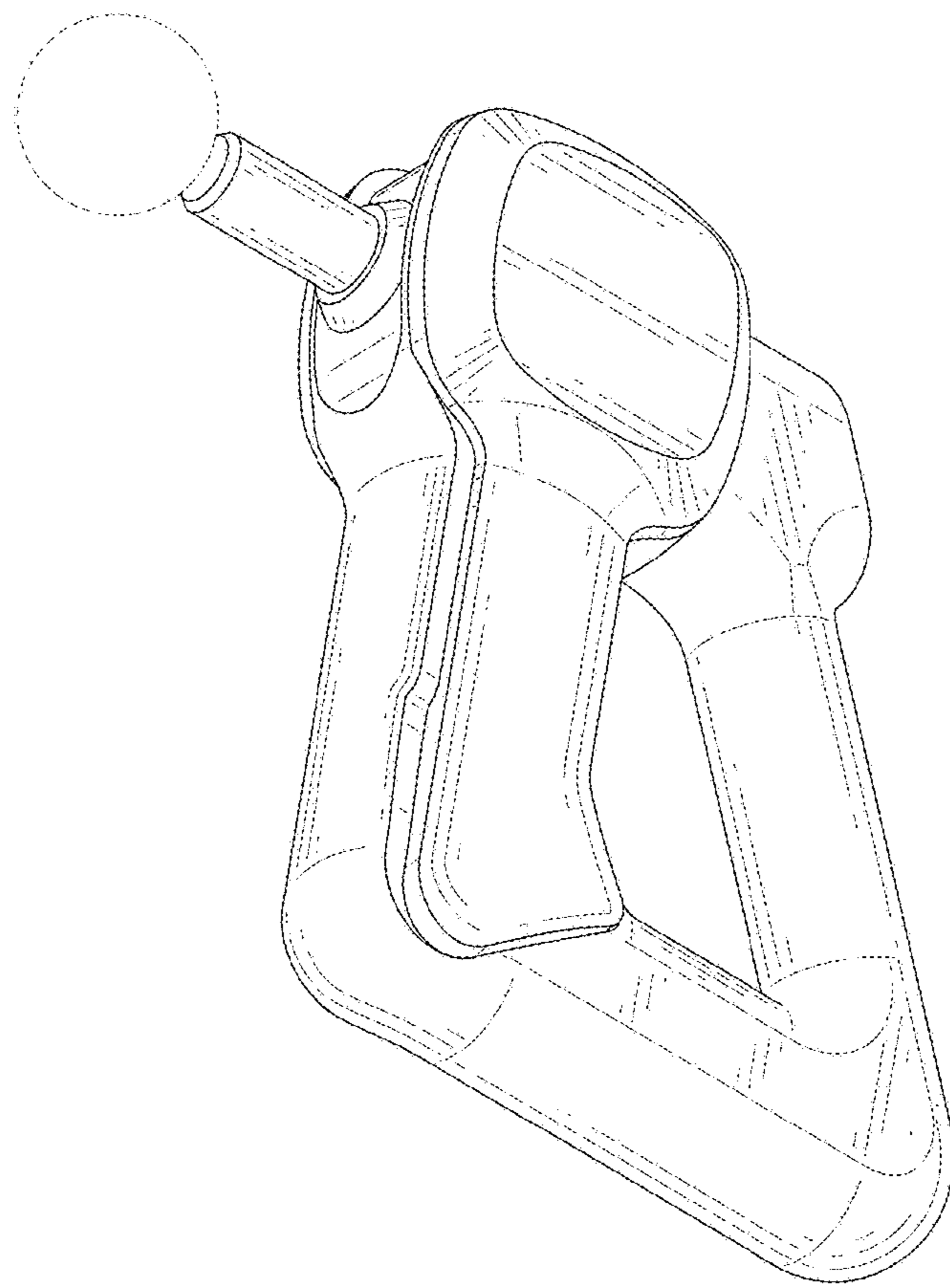


FIG. 2

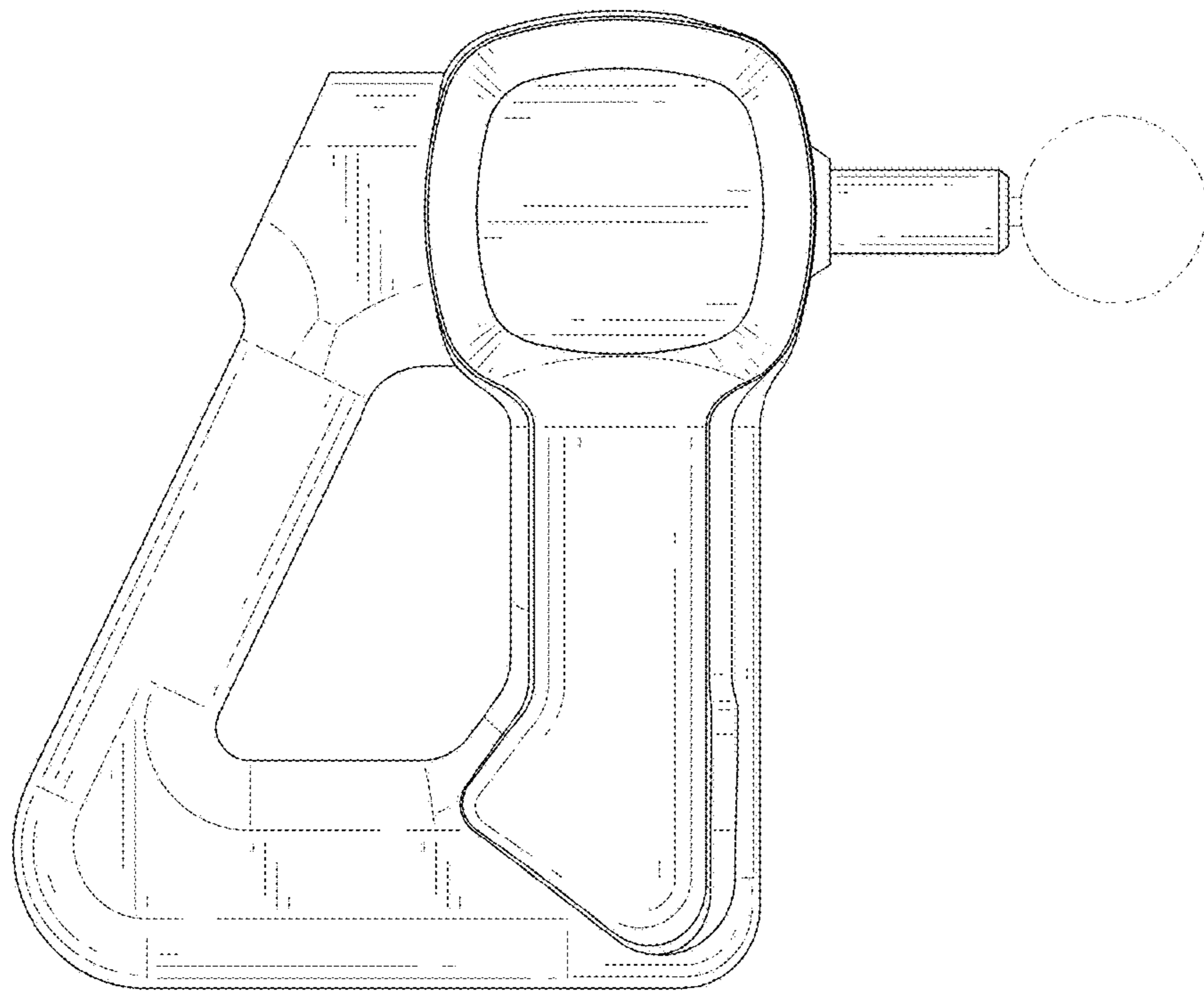


FIG. 3

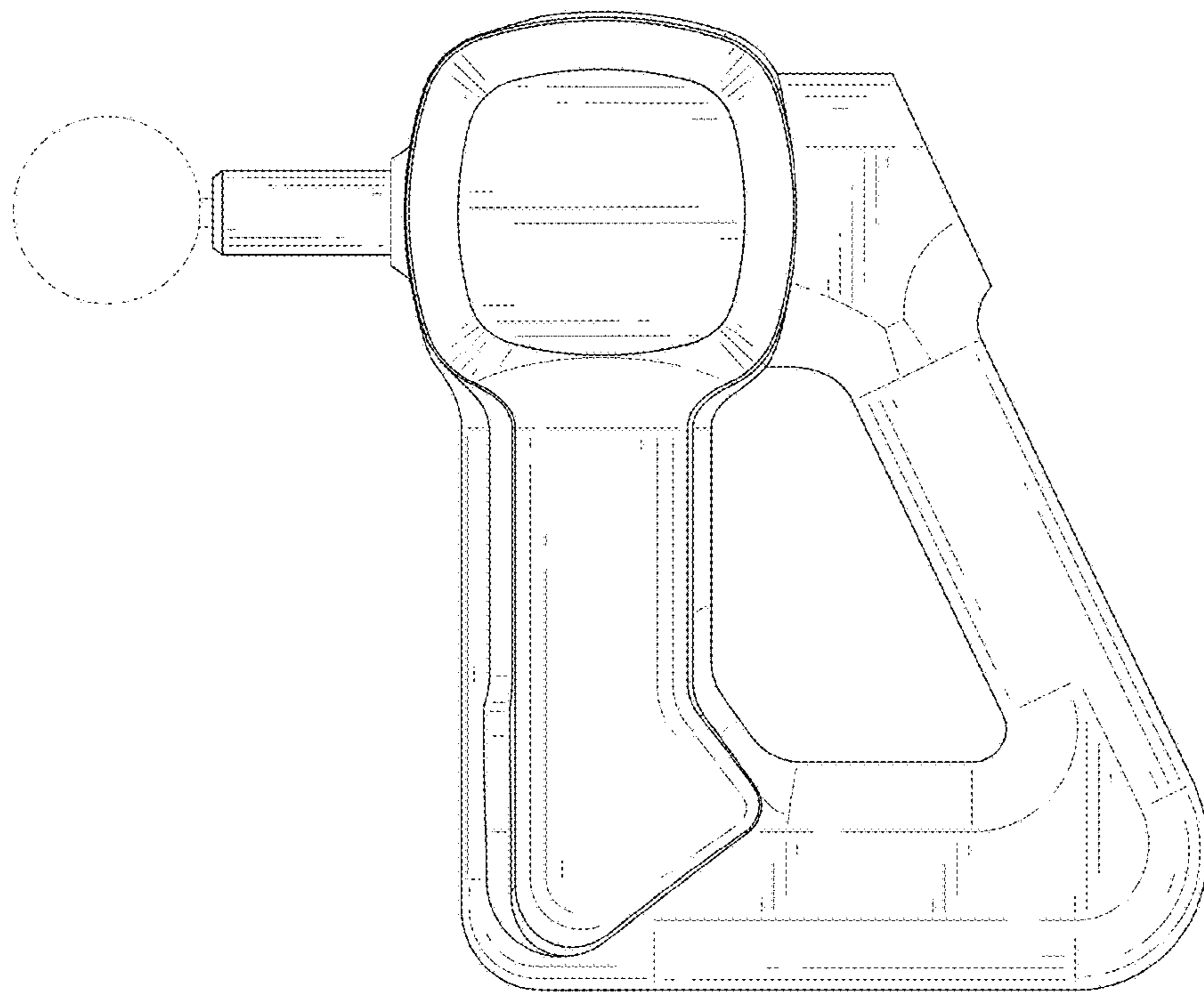


FIG. 4

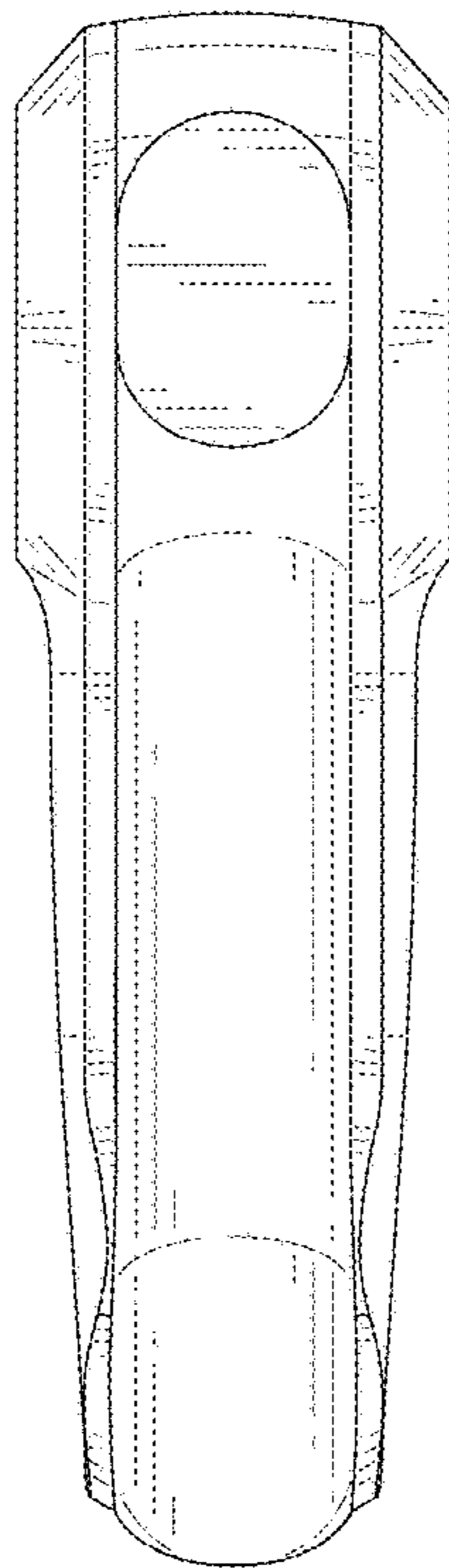


FIG. 5

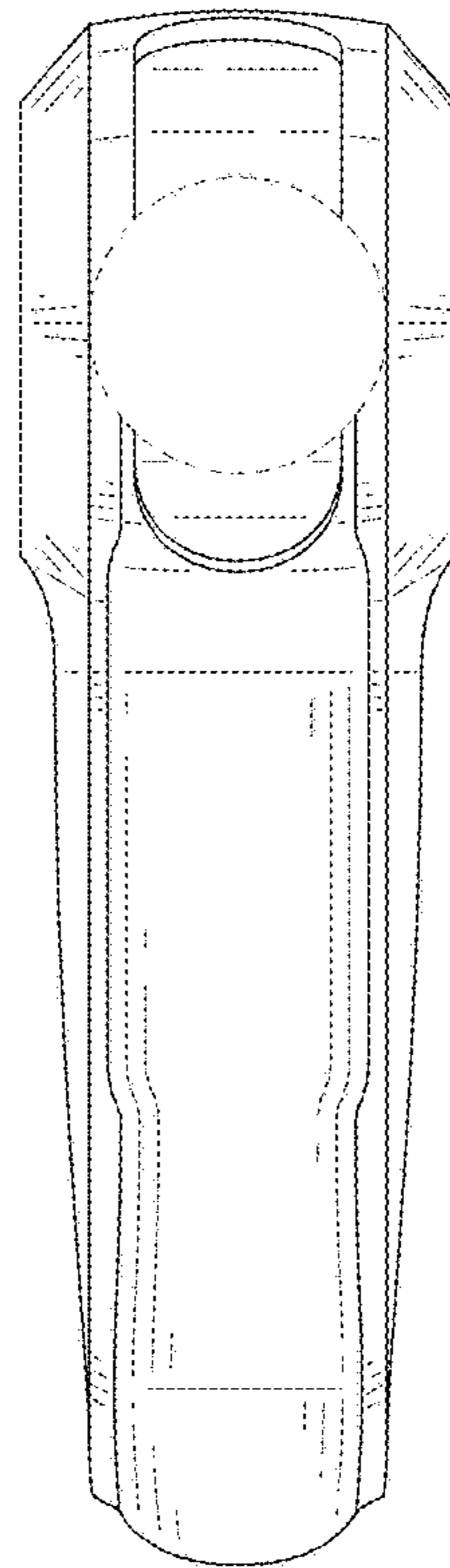


FIG. 6



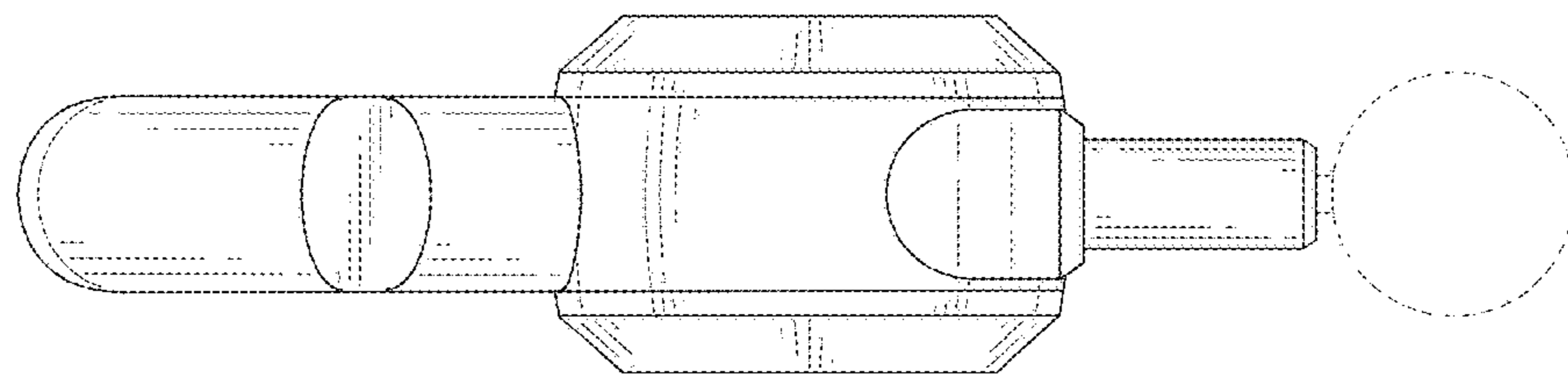


FIG. 7

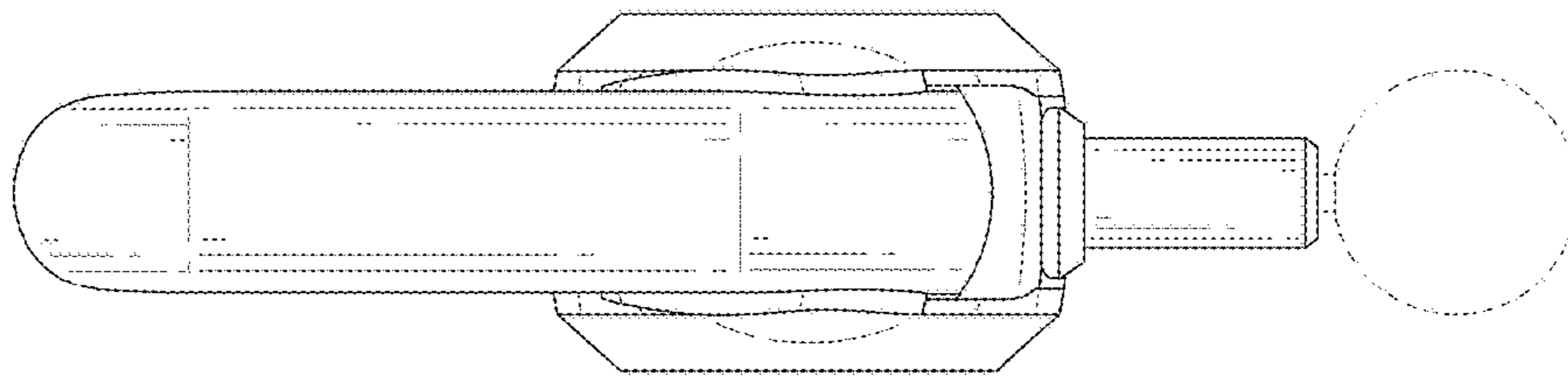


FIG. 8

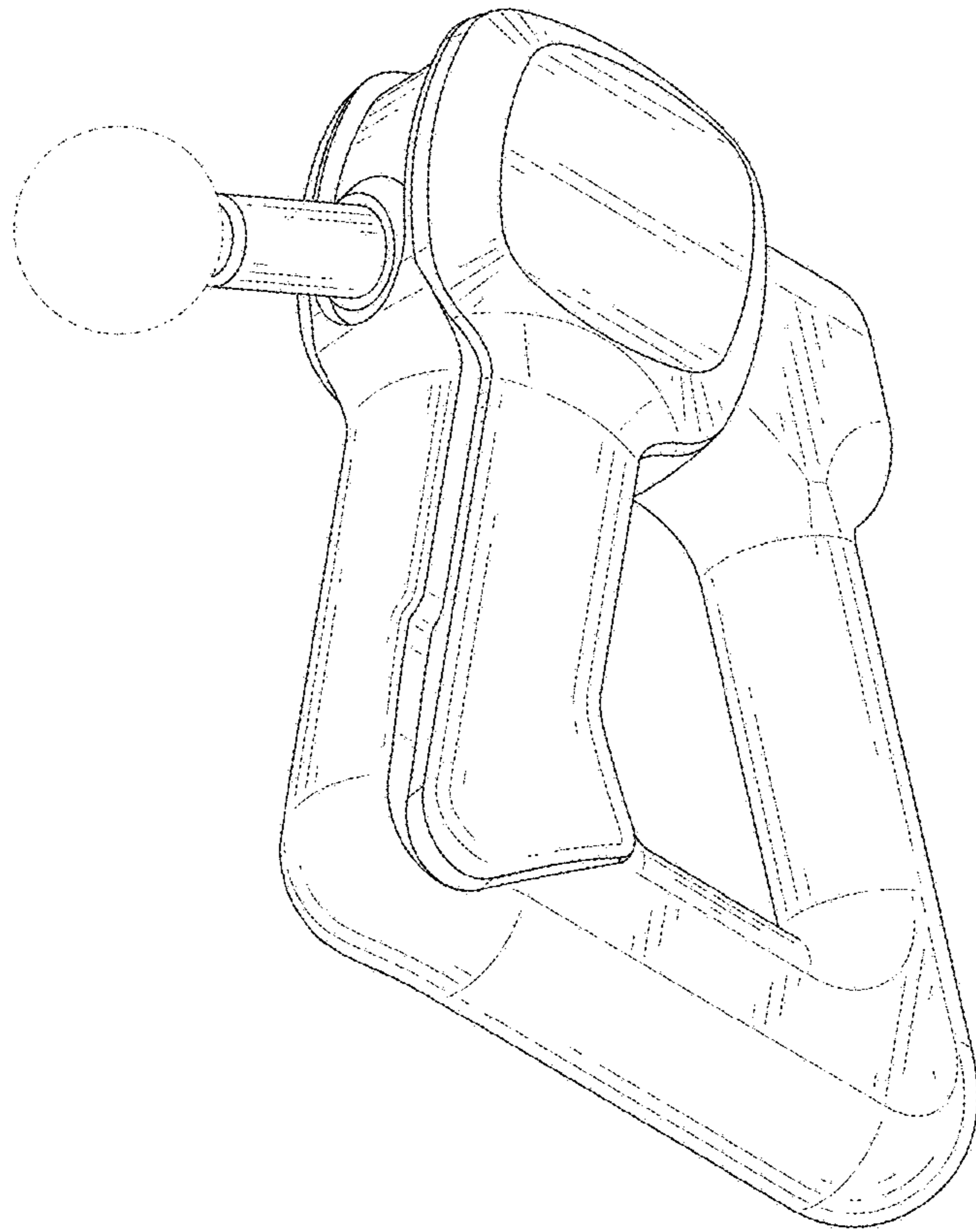


FIG. 9