



US00D872868S

(12) **United States Design Patent**
Razumovskyi

(10) **Patent No.:** **US D872,868 S**

(45) **Date of Patent:** **** Jan. 14, 2020**

(54) **APPARATUS FOR MASSAGE**
(71) Applicants: **Konstantin Razumovskyi**, Kyiv (UA);
Inessa Lyefi, Odessa (UA)
(72) Inventor: **Konstantin Razumovskyi**, Kyiv (UA)
(**) Term: **15 Years**
(21) Appl. No.: **35/505,951**

D333,871 S * 3/1993 Grenko D24/211
D348,519 S * 7/1994 Cagle D24/211
D395,137 S * 6/1998 Summers D24/211
D396,295 S * 7/1998 Summers D24/211
D405,887 S * 2/1999 Antoskow D24/211
D435,109 S * 12/2000 Stojanovic D24/200
D734,480 S * 7/2015 Jones D24/211
D794,814 S * 8/2017 Higgins D24/211
D800,329 S * 10/2017 Cheng D24/211
D818,139 S * 5/2018 Marshall D24/211
D833,634 S * 11/2018 Kramer D24/211

* cited by examiner

(22) Filed: **Apr. 27, 2018**

Primary Examiner — Eliza Z Bennett-Hattan

(80) **Hague Agreement Data**

Int. Filing Date: **Apr. 27, 2018**
Int. Reg. No.: **DM/101547**
Int. Reg. Date: **Apr. 27, 2018**
Int. Reg. Pub. Date: **Nov. 2, 2018**

(57) **CLAIM**

The ornamental design for apparatus for massage, as shown and described.

(51) **LOC (12) Cl.** **28-03**

(52) **U.S. Cl.**
USPC **D24/211**

DESCRIPTION

The patent or application file contains at least one drawing executed in color. Copies of this patent or patent application publication with color drawing(s) will be provided by the Office upon request and payment of the necessary fee.

(58) **Field of Classification Search**
USPC D24/133, 214, 209, 200, 206, 207, 211,
D24/212, 213
CPC A61H 2205/081; A61H 15/00; A61H
2201/0149; A61H 2201/1623; A61H
2201/0157; A61H 2203/0456
See application file for complete search history.

1. Apparatus for massage

- 1.1 : Perspective
- 1.2 : Top
- 1.3 : Bottom
- 1.4 : Front
- 1.5 : Back
- 1.6 : Left
- 1.7 : Right

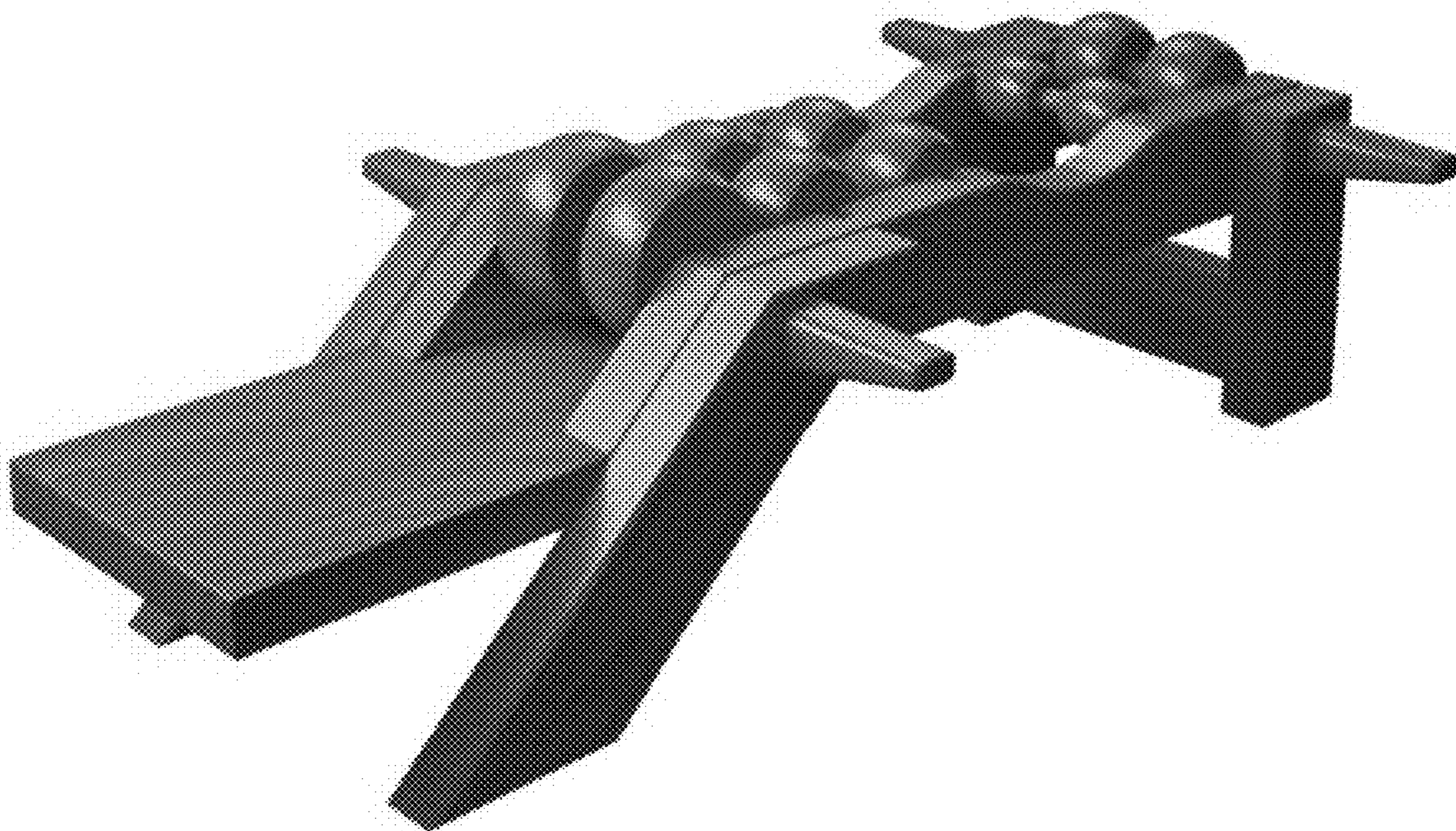
(56) **References Cited**

U.S. PATENT DOCUMENTS

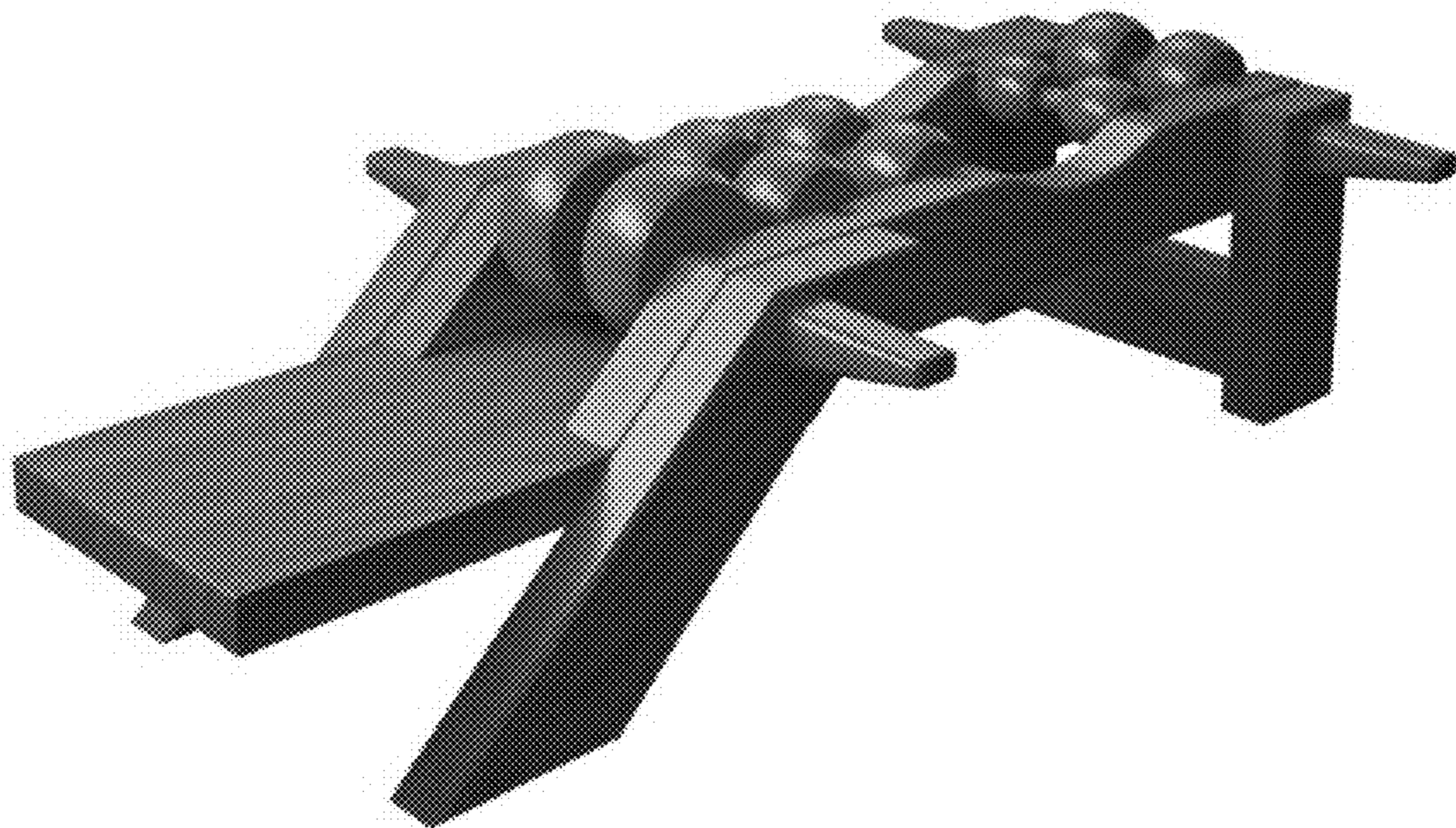
D202,085 S * 8/1965 Tasker D24/211
D226,875 S * 5/1973 Haworth, Jr. D24/211

Apparatus for massage is a product designed for carrying out massage and autogravitational stretching of the spine.

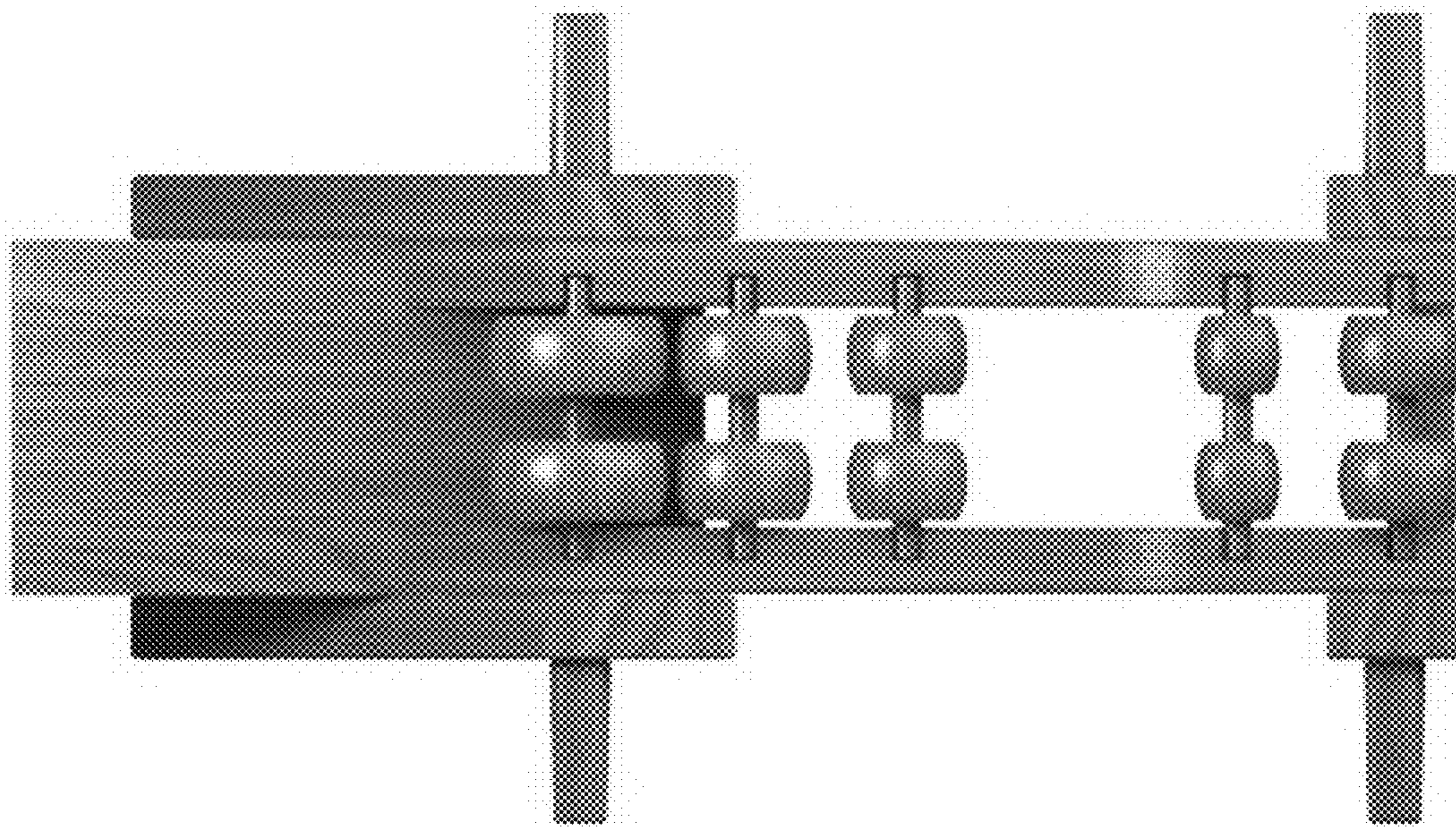
1 Claim, 7 Drawing Sheets
(7 of 7 Drawing Sheet(s) Filed in Color)



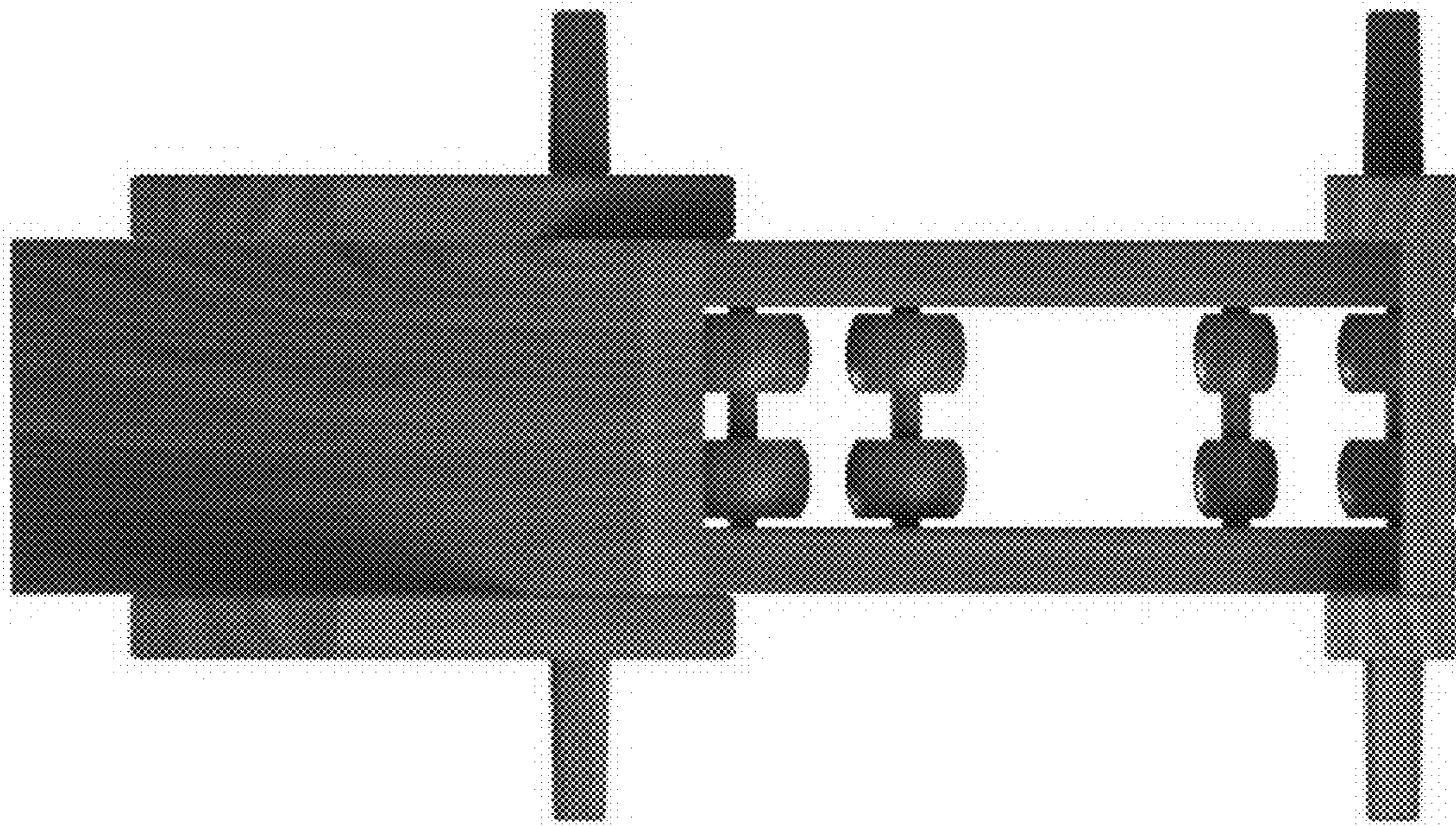
1.1



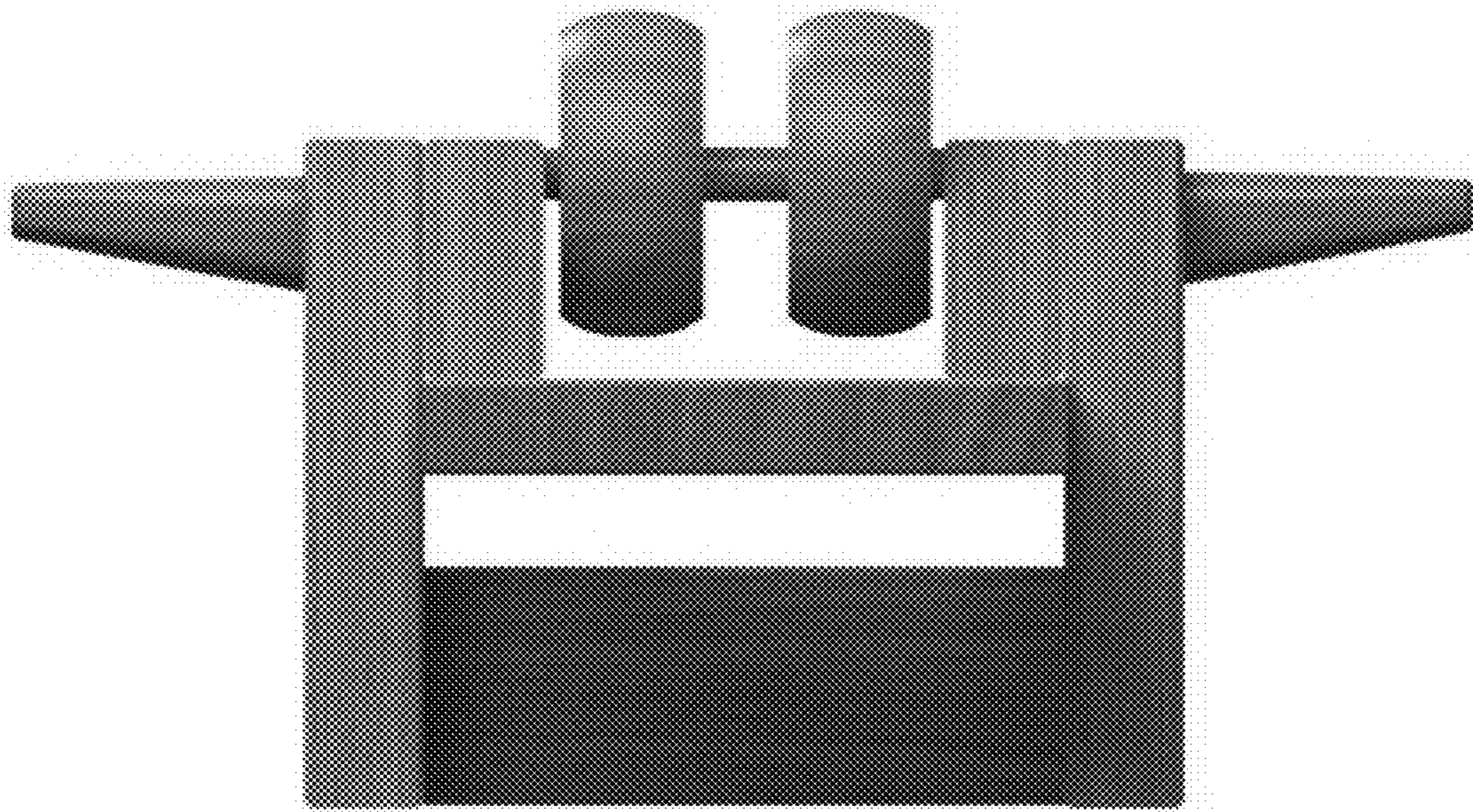
1.2



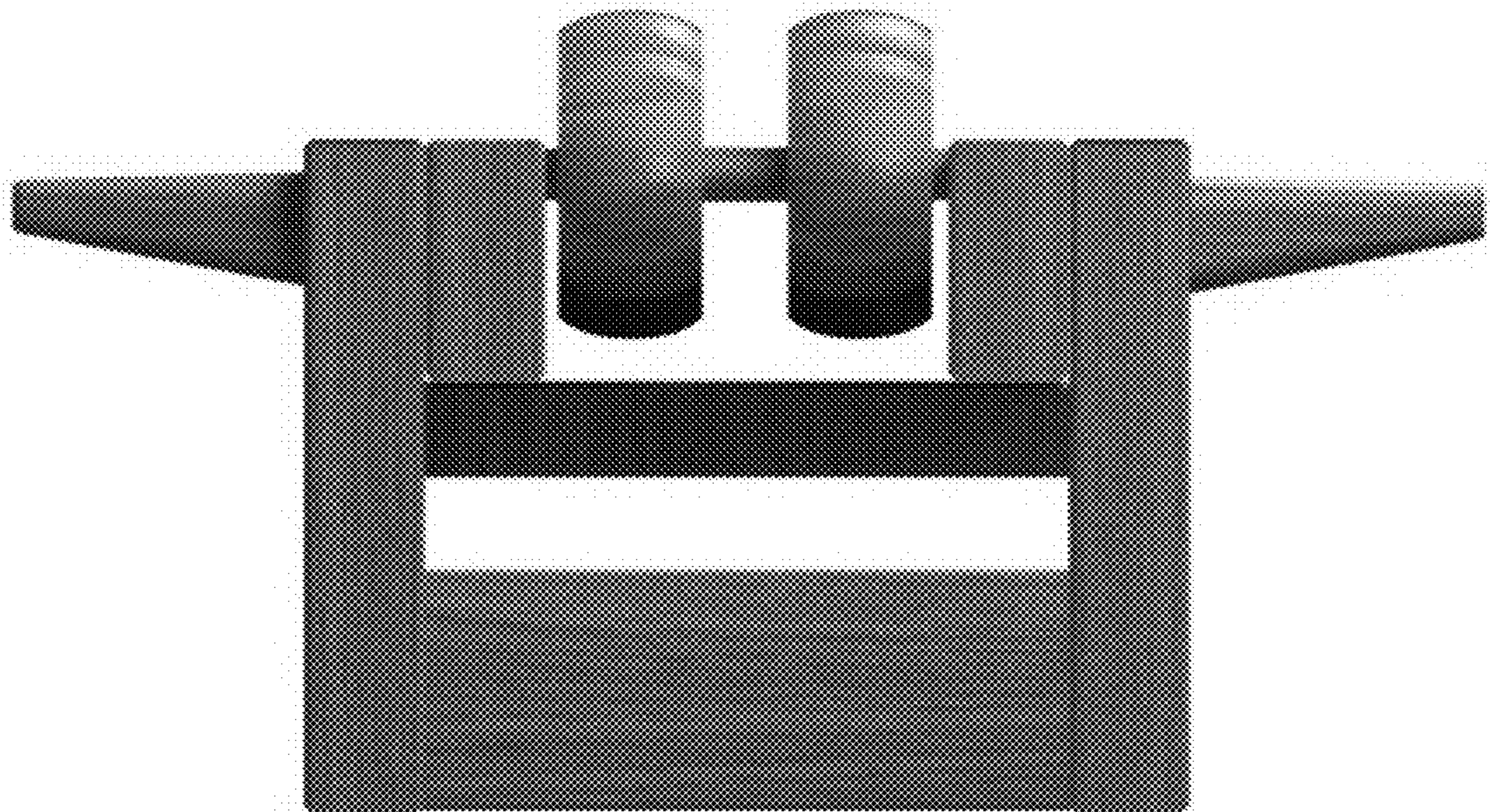
1.3



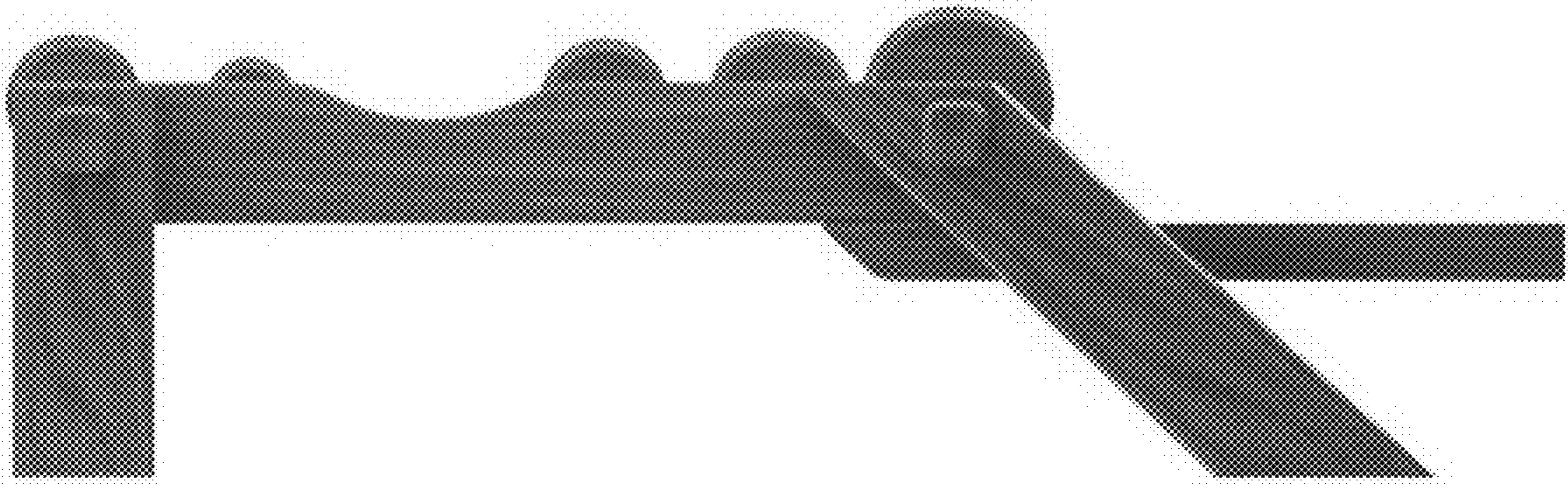
1.4



1.5



1.6



1.7

