



US00D872867S

(12) **United States Design Patent**
Osemwegie

(10) **Patent No.:** **US D872,867 S**

(45) **Date of Patent:** **** *Jan. 14, 2020**

(54) **BABY BOTTLE SAFETY COVER**

(71) Applicant: **Patricia Osemwegie**, Bronx, NY (US)

(72) Inventor: **Patricia Osemwegie**, Bronx, NY (US)

(*) Notice: This patent is subject to a terminal disclaimer.

(**) Term: **15 Years**

(21) Appl. No.: **29/630,958**

(22) Filed: **Dec. 26, 2017**

(51) **LOC (12) Cl.** **07-01**

(52) **U.S. Cl.**

USPC **D24/199; D9/445**

(58) **Field of Classification Search**

USPC D24/117, 193, 196, 197, 199; D9/435, D9/444, 445, 529; D7/510, 511

CPC A47G 19/2272; B65D 35/44; B65D 43/02; A61J 11/04; A61J 9/085; A61J 11/008

See application file for complete search history.

(56) **References Cited**

U.S. PATENT DOCUMENTS

D93,102 S *	8/1934	Hamiel	D24/196
1,987,184 A *	1/1935	Di Giulio	A61J 9/08
				215/11.6
D155,135 S *	9/1949	Ellsworth	D24/197
3,232,466 A *	2/1966	Turanciol	A61J 9/00
				215/11.5
D214,146 S *	5/1969	Ritsi	D24/197
D251,612 S *	4/1979	Lagergren	D24/197
4,502,603 A *	3/1985	Hsu	A61J 11/008
				215/11.6
D286,911 S *	11/1986	Campbell	D24/197
4,778,068 A *	10/1988	Kohus	A61J 9/00
				215/11.1
D307,477 S *	4/1990	Gonzalez	D24/197
D311,063 S *	10/1990	Stephenson	D24/197
D316,900 S *	5/1991	White	D24/197

D334,236 S *	3/1993	Turknett	D24/193
D349,769 S *	8/1994	Green	D24/197
D353,204 S *	12/1994	Neff	D24/197
D366,936 S *	2/1996	Young	D24/197
D380,828 S *	7/1997	Franchi	D24/117
D385,041 S *	10/1997	Sanfilippo	D24/197
D403,426 S *	12/1998	Fiaschetti	D24/197
D404,822 S *	1/1999	Galustyan	D24/197
D463,568 S *	9/2002	Leung	D24/197
D477,529 S *	7/2003	Chan	D21/402
D525,868 S *	8/2006	Kolanus	D9/445
D530,609 S *	10/2006	Beaver	D9/445
D531,763 S *	11/2006	Waldeck	D30/102
D532,112 S *	11/2006	Lornage	D24/197
D543,632 S *	5/2007	Lornage	D24/197
D634,628 S *	3/2011	Goto	D7/900

(Continued)

OTHER PUBLICATIONS

“Evenflo Feeding Premium Proflo.” Found online Mar. 29, 2019 at www.amazon.com. Product reviewed Feb. 3, 2017. Retrieved from URL: <http://tinyurl.com/yx8mh4m8> (Year: 2017).*

(Continued)

Primary Examiner — Garth Rademaker

Assistant Examiner — Katelin G Kloberg

(57) **CLAIM**

I claim the ornamental design for a baby bottle safety cover, as shown and described.

DESCRIPTION

FIG. 1 is an upper perspective view of a baby bottle safety cover.

FIG. 2 is a lower perspective view as shown in FIG. 1.

FIG. 3 is a left side elevation view as shown in FIG. 1;

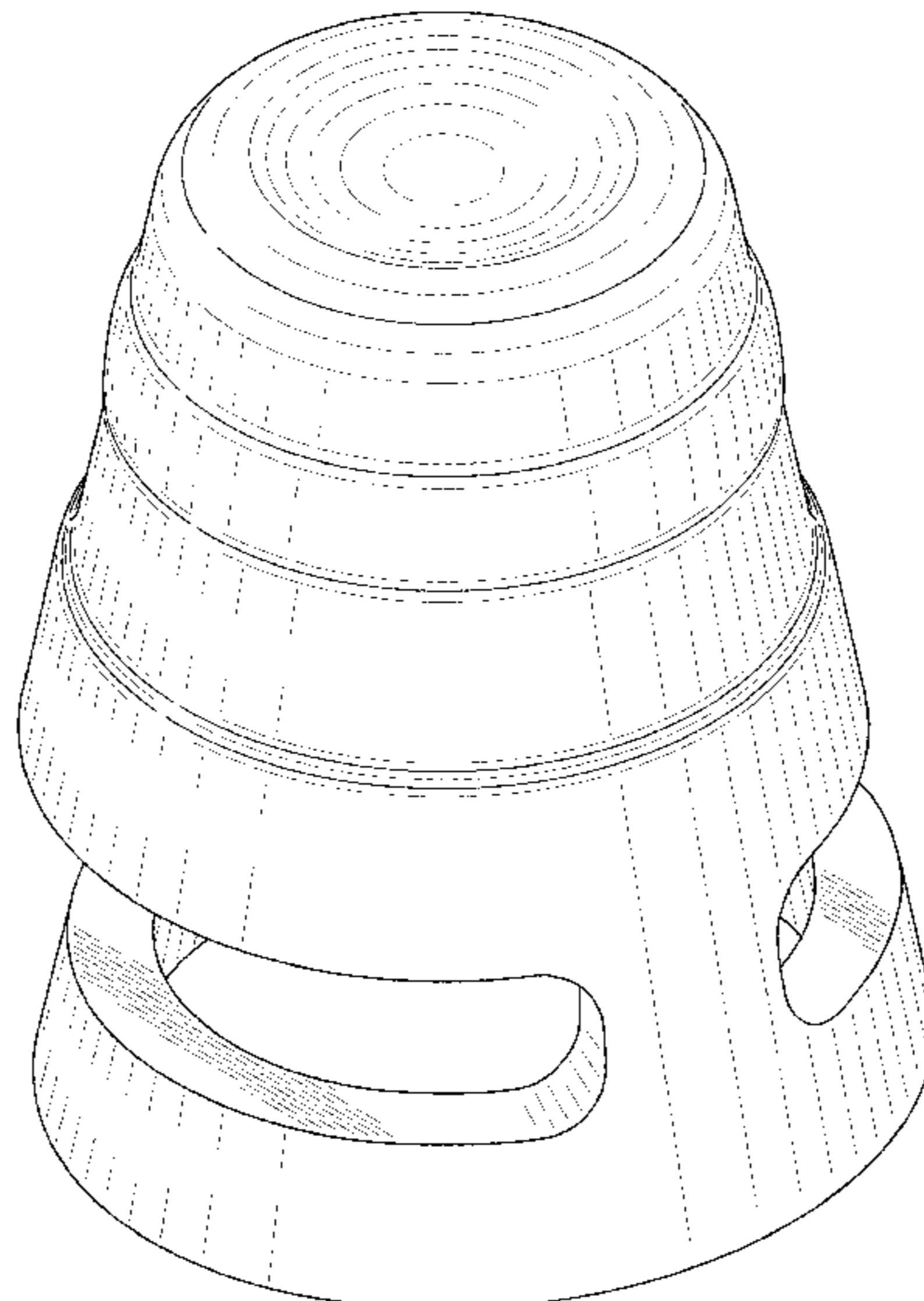
FIG. 4 is a rear elevation view as shown in FIG. 1.

FIG. 5 is a front elevation view as shown in FIG. 1;

FIG. 6 is a top plan view as shown in FIG. 1; and,

FIG. 7 is a bottom plan view as shown in FIG. 1.

1 Claim, 7 Drawing Sheets



(56)

References Cited

U.S. PATENT DOCUMENTS

D642,867 S * 8/2011 Miller D24/197
D672,649 S * 12/2012 Cummings D9/445
D739,748 S * 9/2015 Van Wetten D9/449
D742,019 S * 10/2015 Montgomery D24/197
D786,682 S * 5/2017 Bos D9/529
D814,298 S * 4/2018 Ramon D9/444
D817,171 S * 5/2018 Patrick D9/451
D821,138 S * 6/2018 Silsby D7/396.2
D822,493 S * 7/2018 Cannamela D9/529
D837,055 S * 1/2019 Holland B65D 35/46
D840,226 S * 2/2019 Furner D9/445

OTHER PUBLICATIONS

“Phillips AVENT BPA-Free Classic Dome Caps.” Found online Mar. 29, 2019 at www.amazon.com. Product reviewed May 3, 2015. Retrieved from URL: https://www.amazon.com/Philips-AVENT-BPA-Free-Classic-12-Pack/dp/B007UWTYNU/ref=sr_1_96?keywords=baby+bottle+cap&qid=1553873449&s=gateway&sr=8-96 (Year: 2015).*

“Linco Feeding Bottle Covers.” Found online Mar. 29, 2019 at www.lincobaby.com. Page archived May 16, 2012. Retrieved from URL: <https://web.archive.org/web/20120516233818/https://www.lincobaby.com.tw/feeding-bottle-covers.htm> (Year: 2012).*

* cited by examiner

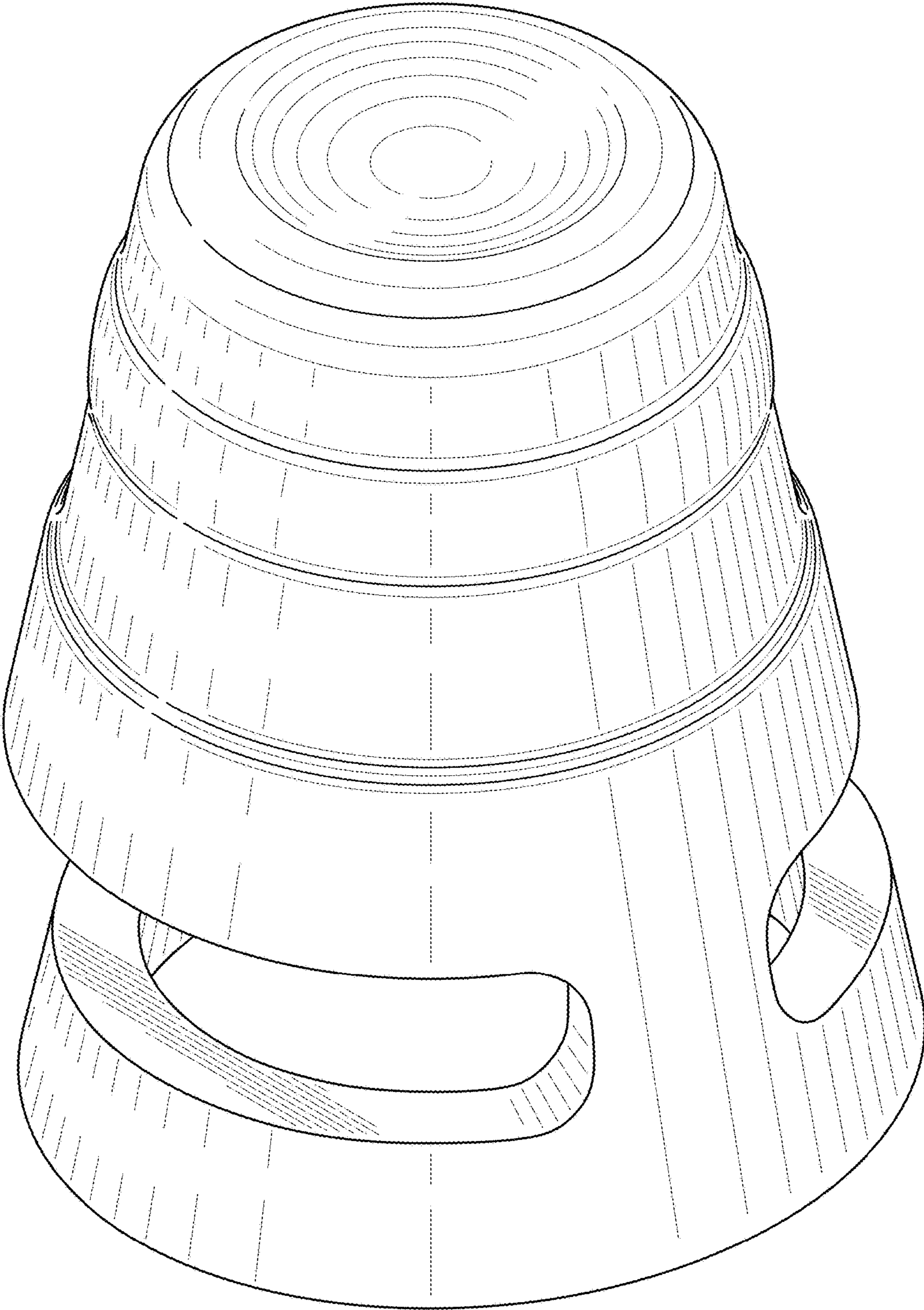


FIG. 1

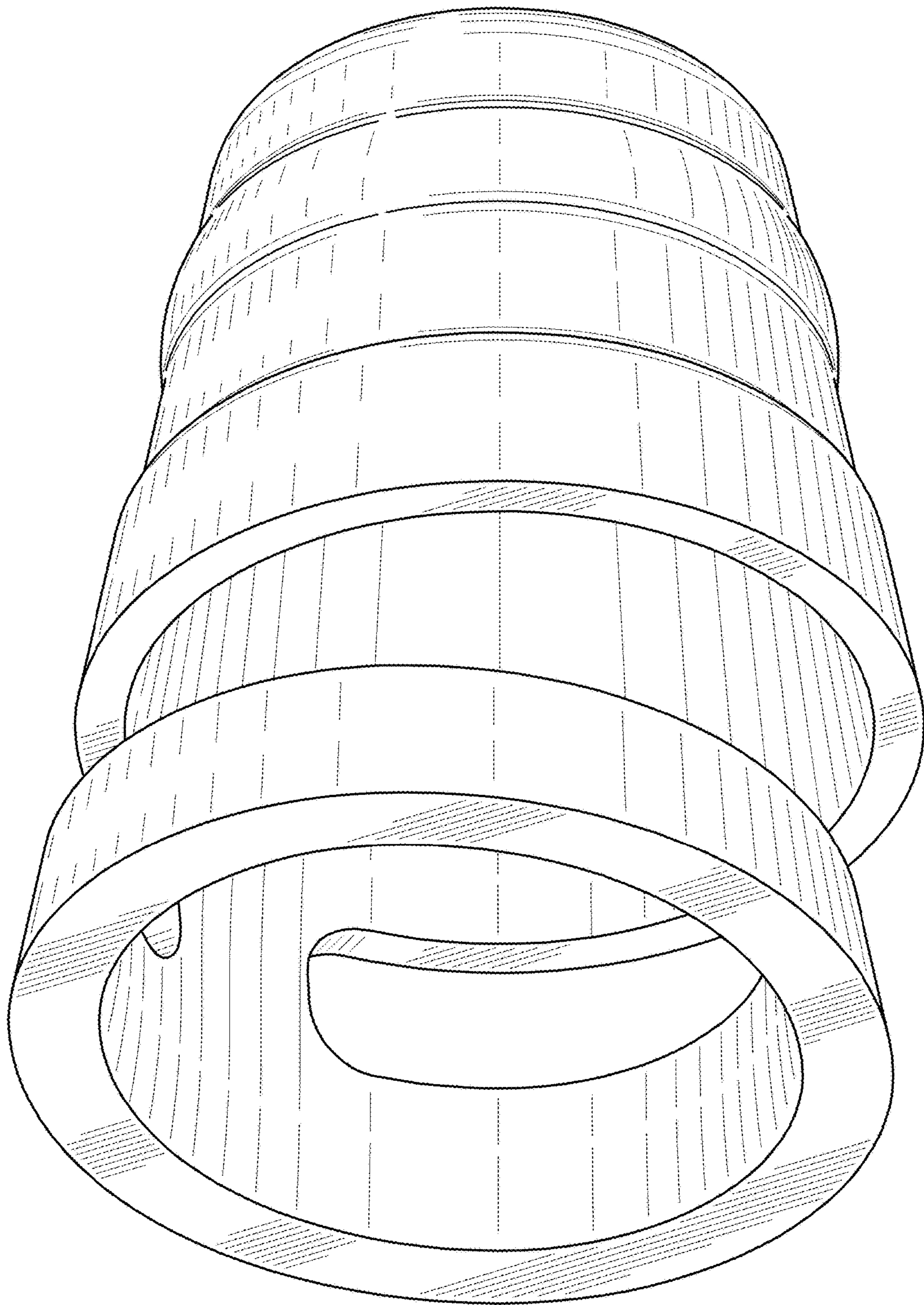


FIG. 2

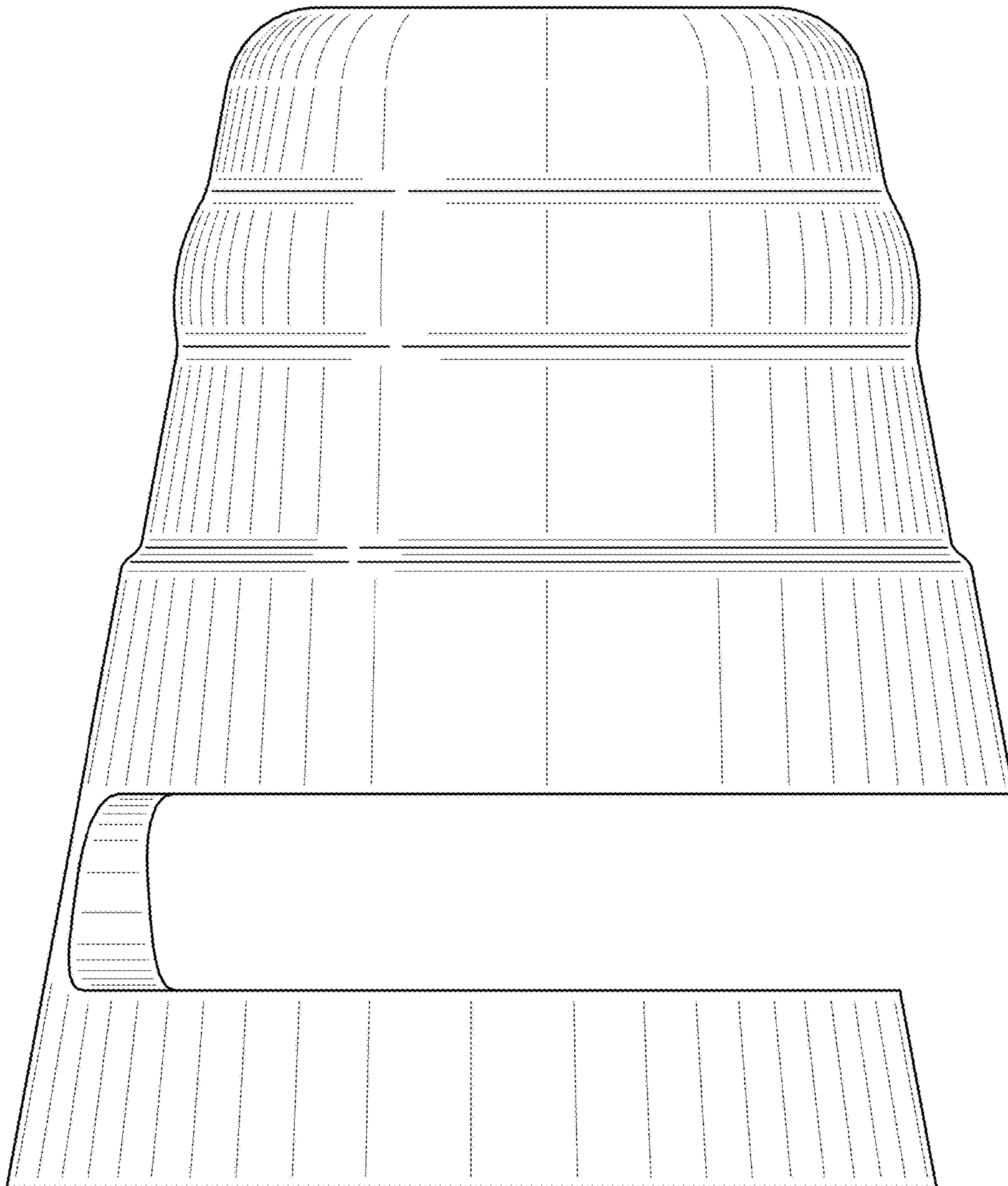


FIG. 3

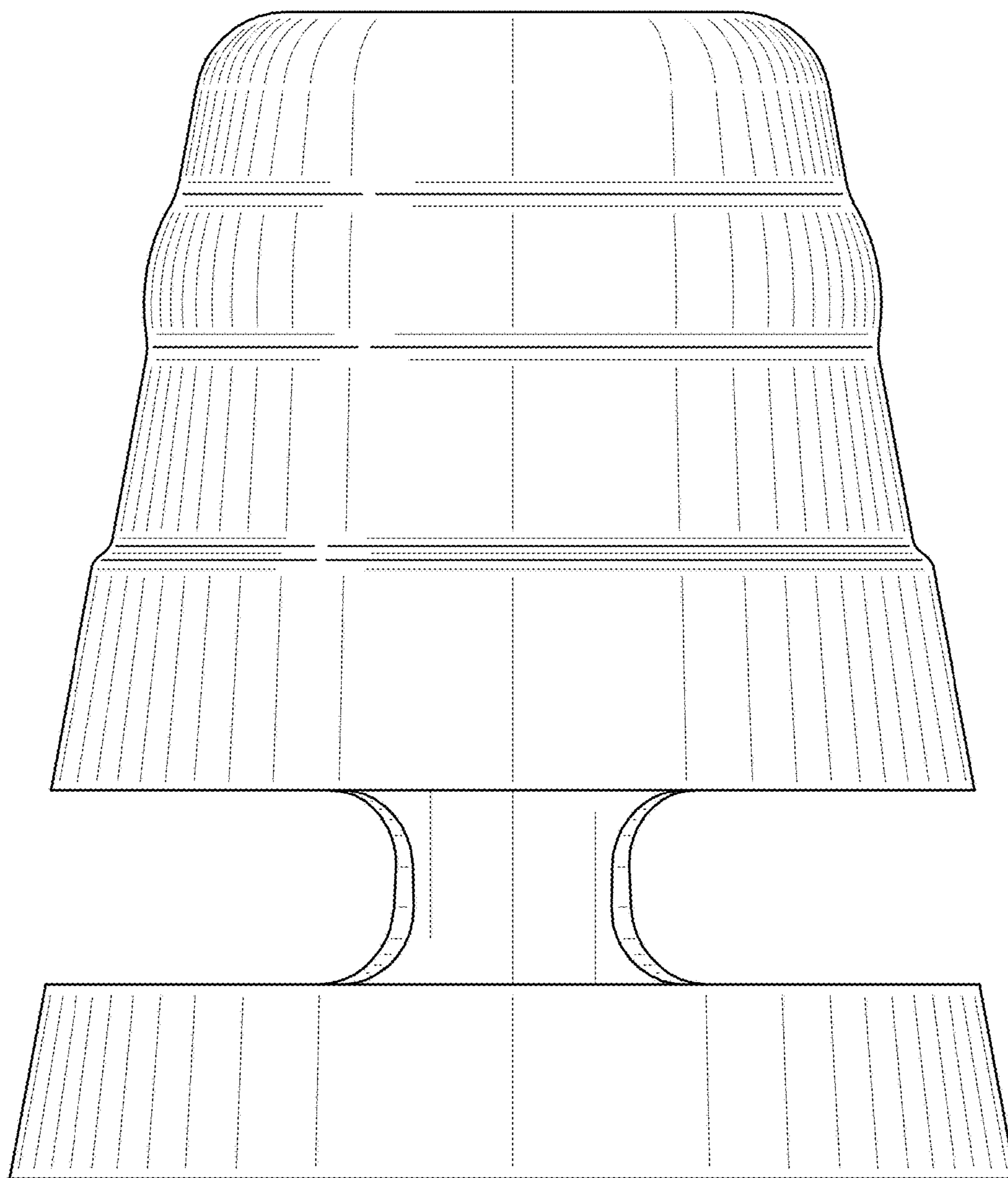


FIG. 4

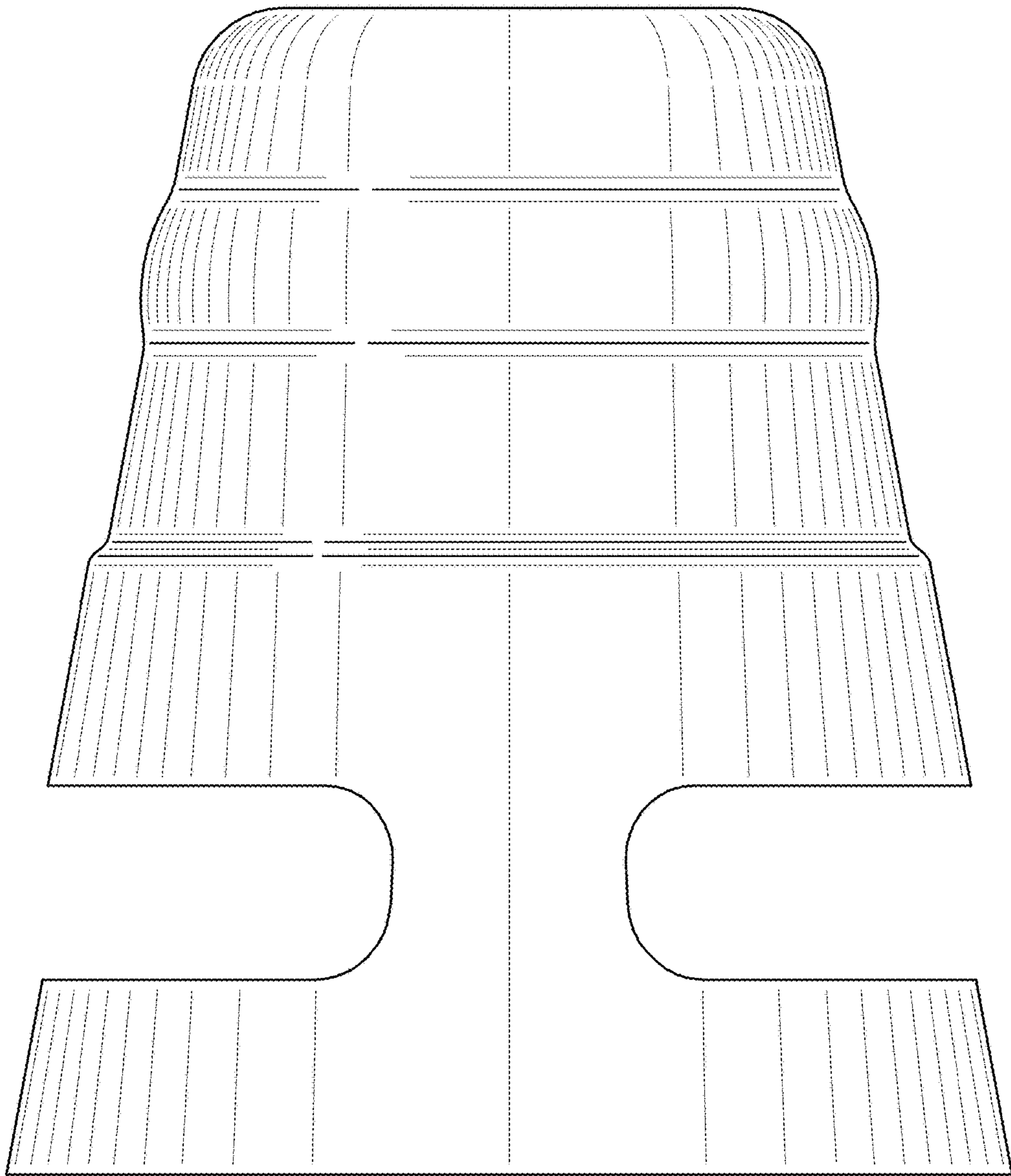


FIG. 5

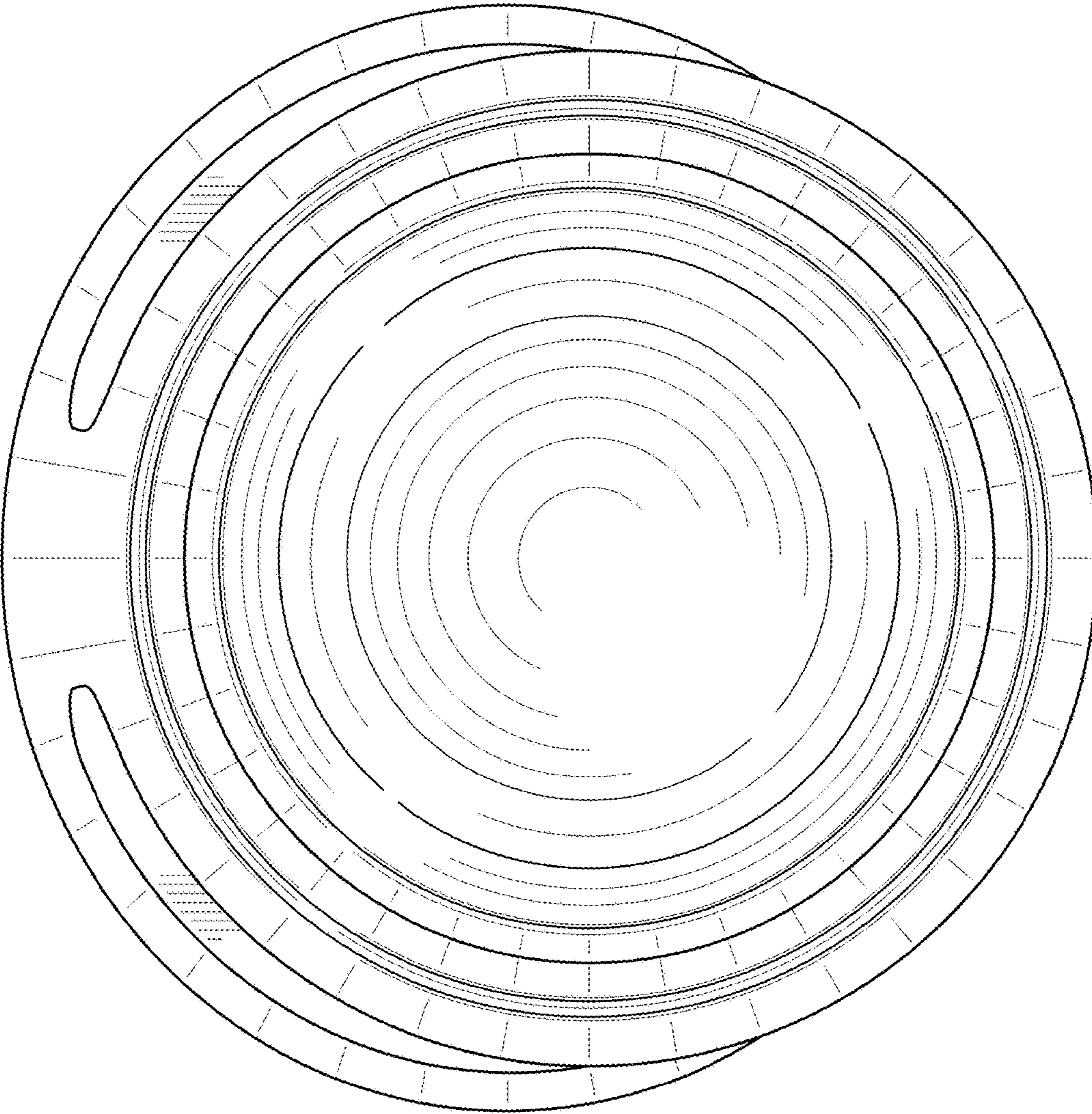


FIG. 6

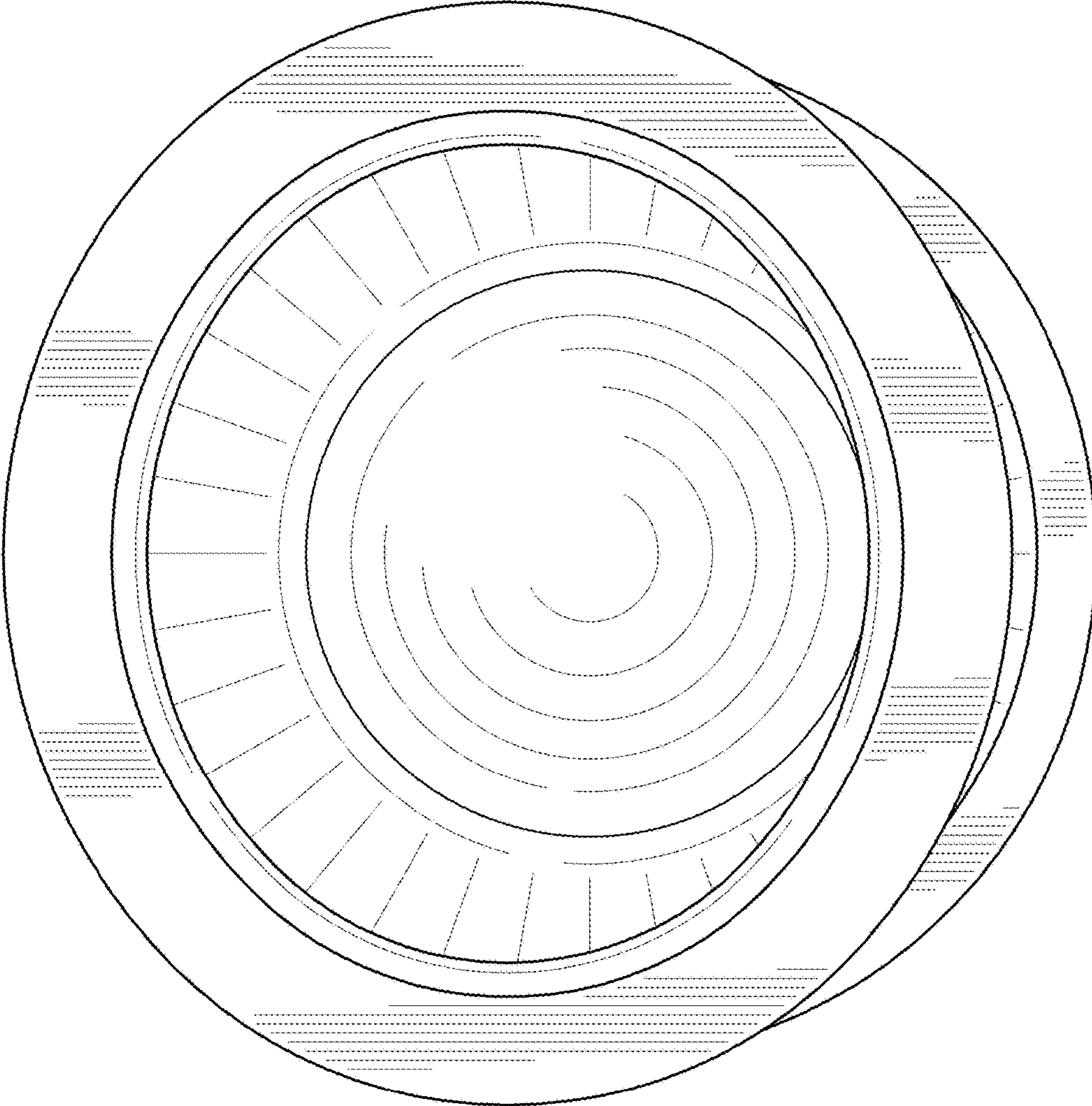


FIG. 7