



US00D872864S

(12) **United States Design Patent** (10) **Patent No.:** **US D872,864 S**  
**Marcil** (45) **Date of Patent:** **\*\* Jan. 14, 2020**

(54) **PATIENT OVERLAY FOR A RADIATION COUCH**

D713,967 S 9/2014 Adoni  
D728,165 S 4/2015 Davis  
D744,641 S 12/2015 Aiken  
D791,951 S 7/2017 Henderson  
D794,205 S \* 8/2017 Naber ..... D12/14  
(Continued)

(71) Applicant: **Elekta LTD.**, Montreal (CA)

(72) Inventor: **Francois Marcil**, Montreal (CA)

(73) Assignee: **Elekta LTD**, Montreal, Quebec (CA)

(\*\*) Term: **15 Years**

**FOREIGN PATENT DOCUMENTS**

CN 110090363 8/2019  
WO WO-2014018983 A1 1/2014

(21) Appl. No.: **29/635,182**

**OTHER PUBLICATIONS**

(22) Filed: **Jan. 29, 2018**

RayBoards for Butterfly Masks with L-Profiles. Online, published date unknown. Retrieved on Mar. 19, 2019 from <URL: https://www.bcc.taipei/RTproducts/product\_pp121a.html>.\*

(51) **LOC (12) Cl.** ..... **24-02**

(52) **U.S. Cl.**  
USPC ..... **D24/184**

(Continued)

(58) **Field of Classification Search**  
USPC ..... D24/171, 177-179, 183, 184, 186, 188, D24/190, 192, 213  
CPC ..... A61B 8/4209; A61F 5/3769  
See application file for complete search history.

*Primary Examiner* — Susan Bennett Hattan  
*Assistant Examiner* — Omeed Agilee  
(74) *Attorney, Agent, or Firm* — Schwegman Lundberg & Woessner, P.A.; Sanjay Agrawal

(56) **References Cited**

(57) **CLAIM**

**U.S. PATENT DOCUMENTS**

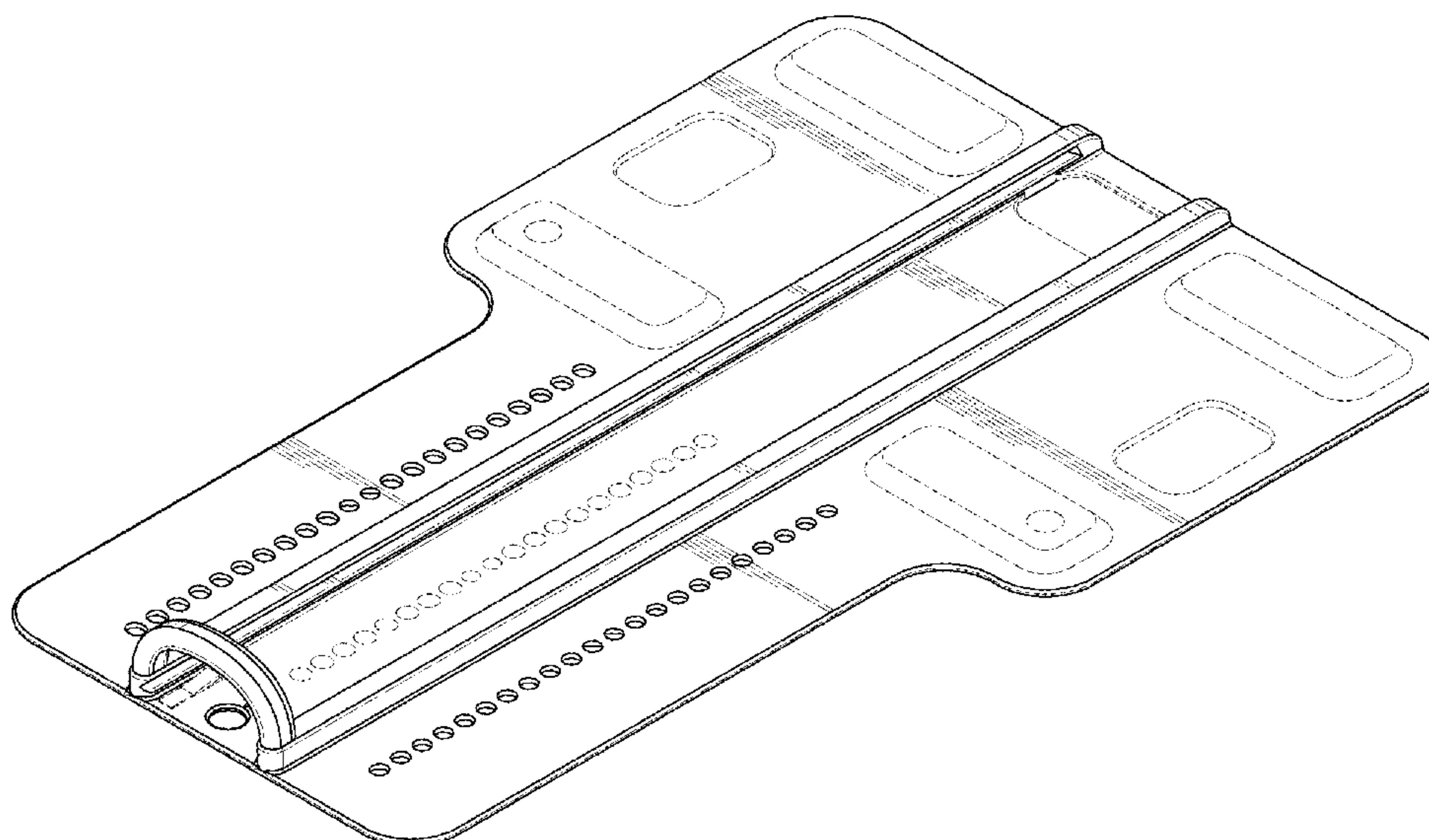
The ornamental design for a patient overlay for a radiation couch, as shown and described.

D264,874 S \* 6/1982 Augustsson ..... 606/242  
D286,073 S \* 10/1986 Russell ..... D24/190  
D386,584 S \* 11/1997 Frei ..... D24/183  
D393,069 S \* 3/1998 Jope ..... D24/158  
D413,982 S 9/1999 Swedberg et al.  
D415,281 S 10/1999 Swedberg et al.  
5,980,828 A 11/1999 McClintock et al.  
D422,782 S 4/2000 Howlett et al.  
D462,446 S 9/2002 Felix et al.  
D463,858 S \* 10/2002 Sherrod ..... D24/124  
D465,577 S 11/2002 Kato et al.  
D546,956 S 7/2007 Buethorn  
D550,850 S 9/2007 Buethorn  
D551,353 S 9/2007 Buethorn  
D558,889 S 1/2008 Doll et al.  
D673,689 S 1/2013 Pierce et al.  
D690,016 S 9/2013 Ratner  
D709,180 S \* 7/2014 Rummery ..... D24/110.1

**DESCRIPTION**

FIG. 1 is a perspective view of a patient overlay for a radiation couch incorporating the design.  
FIG. 2 is a top view thereof.  
FIG. 3 is a bottom view thereof.  
FIG. 4 is a right-side view thereof.  
FIG. 5 is a left-side view thereof.  
FIG. 6 is a front view thereof; and,  
FIG. 7 is a back view thereof.  
The broken lines shown in the drawings illustrate portions of the patient overlay for a radiation couch that form no part of the claimed design.

**1 Claim, 5 Drawing Sheets**



(56)

**References Cited**

U.S. PATENT DOCUMENTS

D800,911	S	10/2017	Diemer	
D804,045	S	11/2017	Epstein	
D810,300	S	2/2018	Parsons	
D814,646	S	4/2018	Maloney	
D816,833	S *	5/2018	Parkhurst	..... D24/128
9,980,573	B2	5/2018	Bennetts	
D833,623	S *	11/2018	Naber	..... D24/184
D834,205	S	11/2018	Ducharme et al.	
D837,386	S	1/2019	Barber et al.	
D837,392	S	1/2019	Wanner et al.	
2005/0108899	A1	5/2005	Kielt et al.	
2009/0308400	A1	12/2009	Wilson et al.	
2012/0117818	A1	5/2012	Slowik	
2013/0110019	A1	5/2013	Hopman et al.	
2014/0298681	A1	10/2014	Epstein	
2018/0250183	A1	9/2018	Zwierstra et al.	
2019/0231303	A1	8/2019	Marcil	
2019/0231304	A1	8/2019	Marcil	
2019/0231305	A1	8/2019	Marcil	
2019/0231306	A1	8/2019	Marcil	

OTHER PUBLICATIONS

Bionix Radiation Therapy, "Comfort Hold Foot Positioner RT-6030-30-03", [Online]. Retrieved from the Internet: <URL: www.BionixRT.com>, 2 pgs.

CDR Systems, "CDR Systems Precision Positioning Systems", [Online]. Retrieved from the internet: <URL:www.cdrsys.ca>, 58 pgs.

Klarity, "R634-LCF Leg Positioner Set-Up", [Online]. Retrieved from the Internet<URL: www.klaritymedical.com>, 1 pg.

"U.S. Appl. No. 29/635,179, Non Final Office Action dated Apr. 19, 2019", 13 pgs.

"U.S. Appl. No. 29/635,179, Response filed Jul. 19, 2019 to Non-Final Office Action dated Apr. 19, 2019", 6 pgs.

"U.S. Appl. No. 29/635,185, Non Final Office Action dated May 16, 2019", 16 pgs.

"U.S. Appl. No. 29/635,186, Non Final Office Action dated May 16, 2019", 12 pgs.

"Chinese Application Serial No. 201910080350.6, Notification on Correction of Deficiencies dated Mar. 12, 2019", w/o English translation, 1 pg.

"European Application Serial No. 19153998.0, Extended European Search Report dated Jun. 28, 2019", 11 pgs.

"Zephyr Patient Positioning and Transfer Systems", Orfit Industries, Retrieved from the Internet: <URL:https://www.orfit.com/radiation-oncology/products/zephyrpatient-positioning-and-transfer-systems/>, (May 30, 2017), 2 pgs.

Camps, Saskia M, et al., "The Use of Ultrasound Imaging in the External Beam Radiotherapy Workflow of Prostate Cancer Patients", Biomed Research International, vol, (Jan. 1, 2018), 1-16.

Elekta, "Clarity for Prostate Monitoring", Youtube, Retrieved from the Internet: <URL:https://www.youtube.com/watch?time\_continue=35&v=htoFAd1 ALw8>, (Sep. 22, 2015), 1 pg.

Elekta, "Prostate Intra-Fractional Motion Management", Youtube, Retrieved from the Internet: <URL:https://www.youtube.com/watch?v=Qr8z5ELbQJw>, (Feb. 3, 2016), 1 pg.

Lachaine, Martin, et al., "Intrafractional Prostate Motion Management With the Clarity Autoscan System", Medical Physics International Journal, (Jan. 1, 2013), 72.

Zephyr, "Image Guided Brachytherapy with Zephyr MDR", Youtube, Retrieved from the Internet: URL:<https://www.youtube.com/watch?time\_continue=111&v=SaKI8ceQirY>, (May 30, 2017), 1 pg.

"U.S. Appl. No. 29/635,185, Response filed Aug. 14, 2019 to Non Final Office Action dated May 15, 2019", 5 pgs.

"U.S. Appl. No. 29/635,186, Response filed Aug. 14, 2019 to Non Final Office Action dated May 16, 2019", 7 pgs.

\* cited by examiner



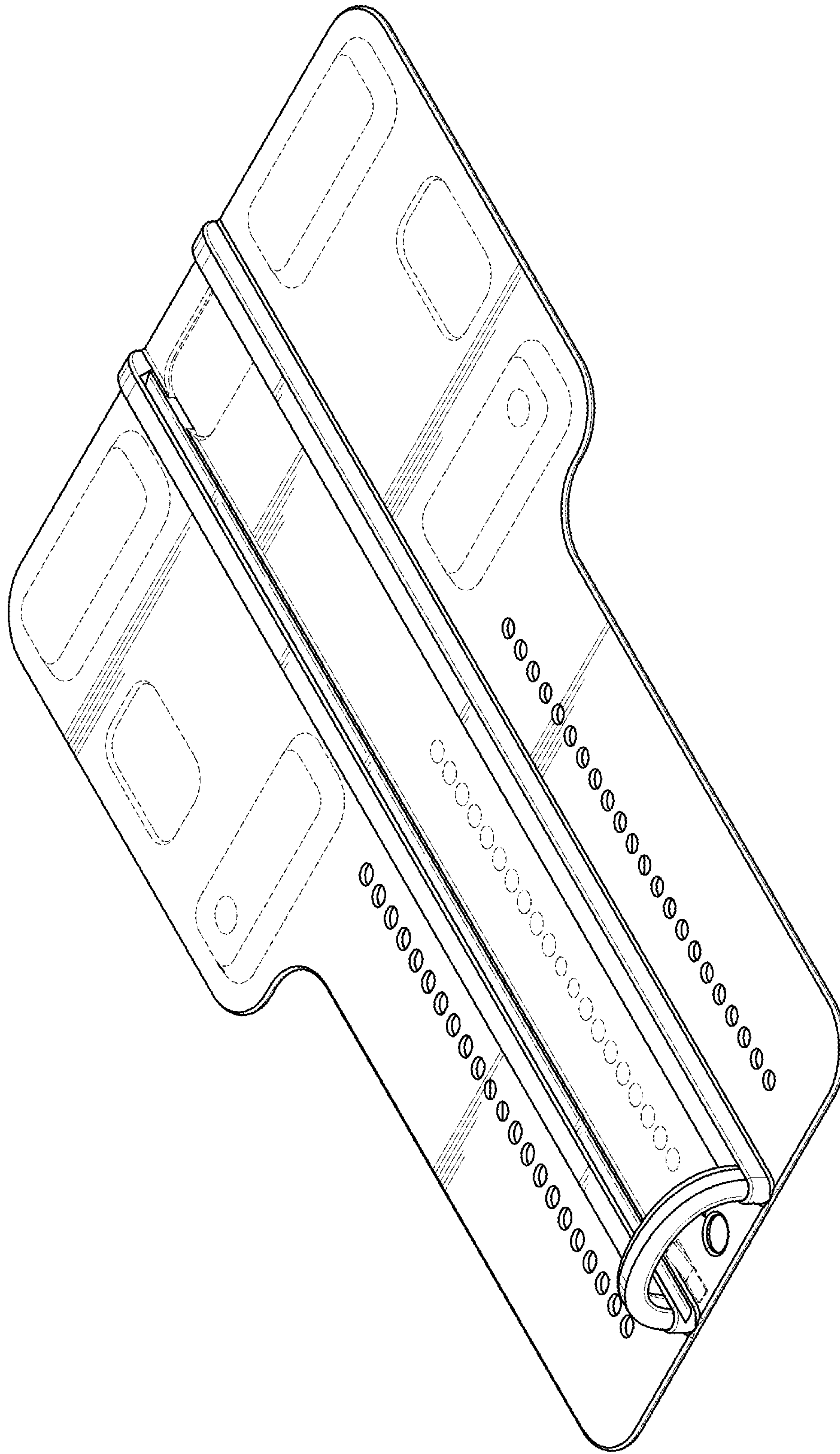
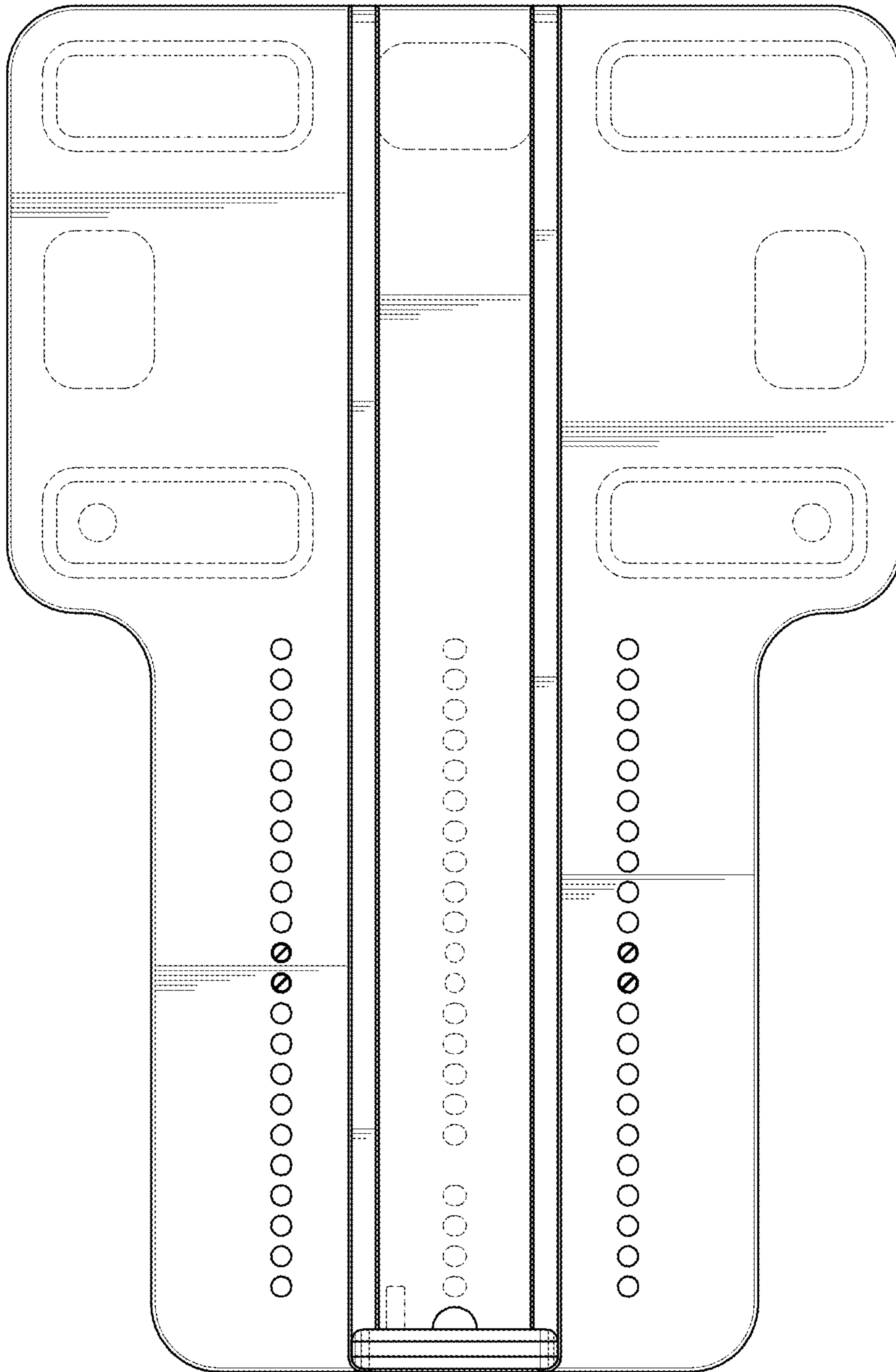


FIG. 1



*FIG. 2*

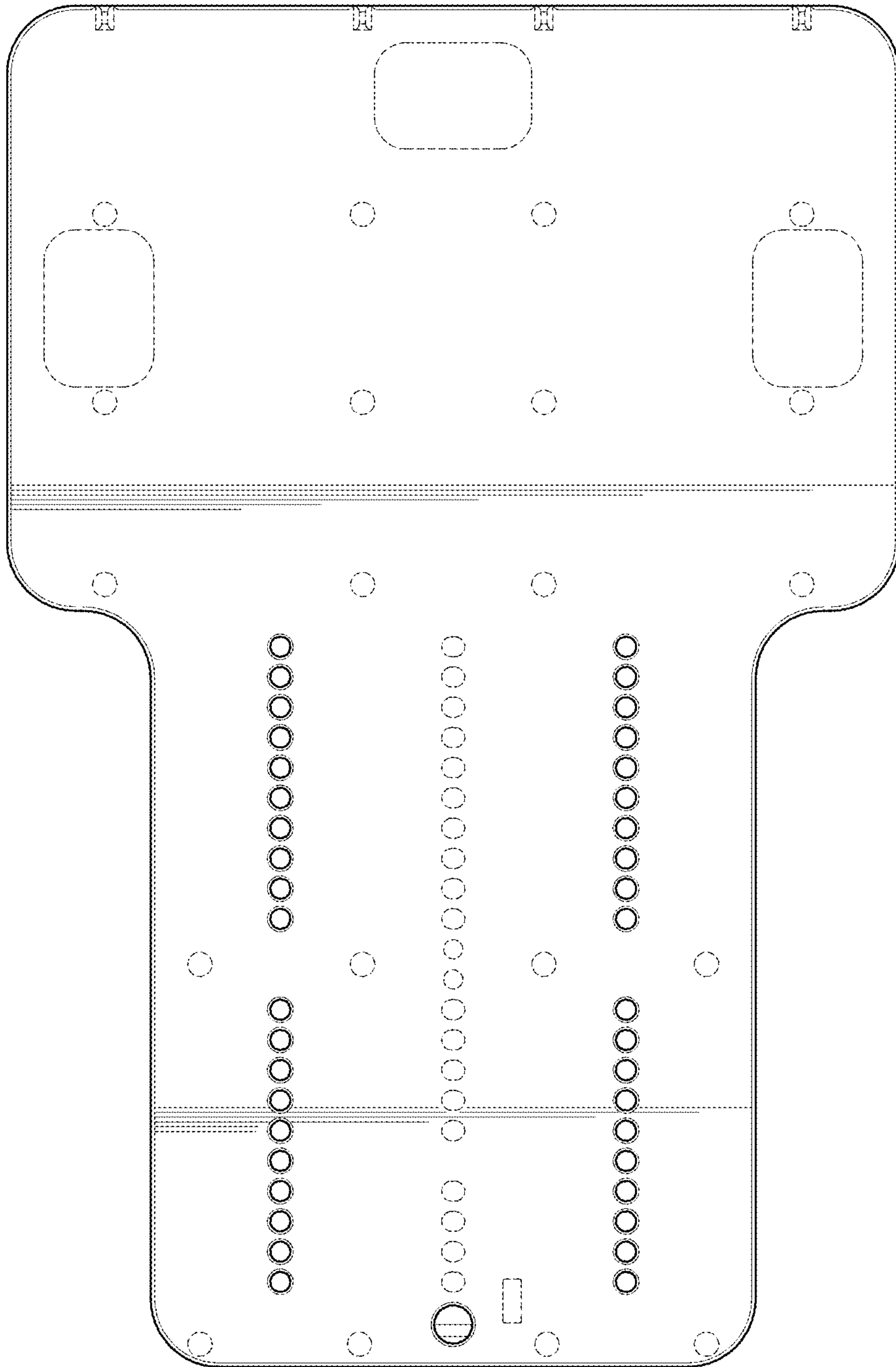
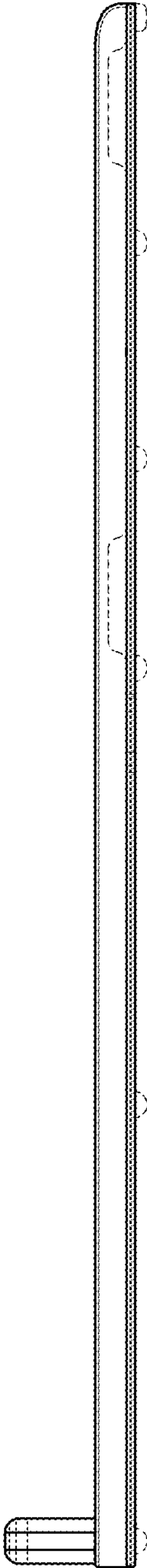
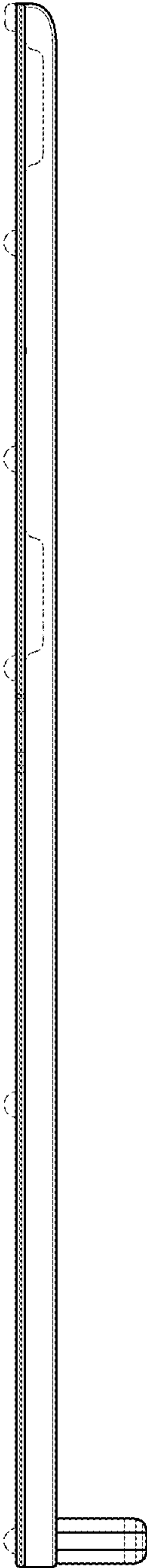


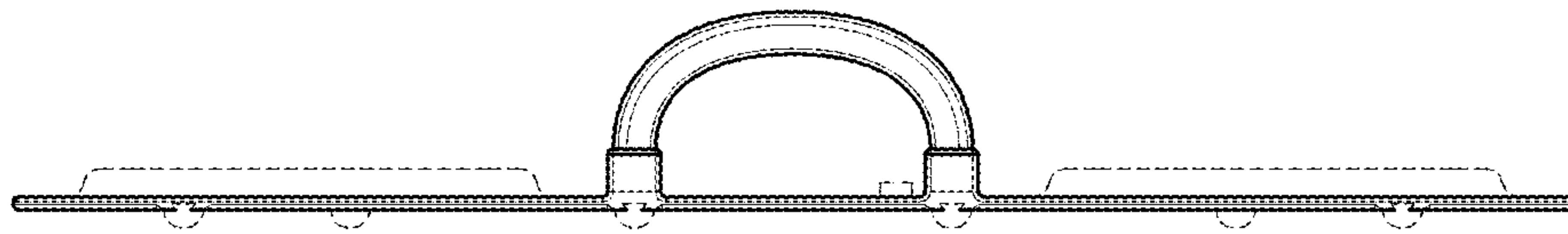
FIG. 3



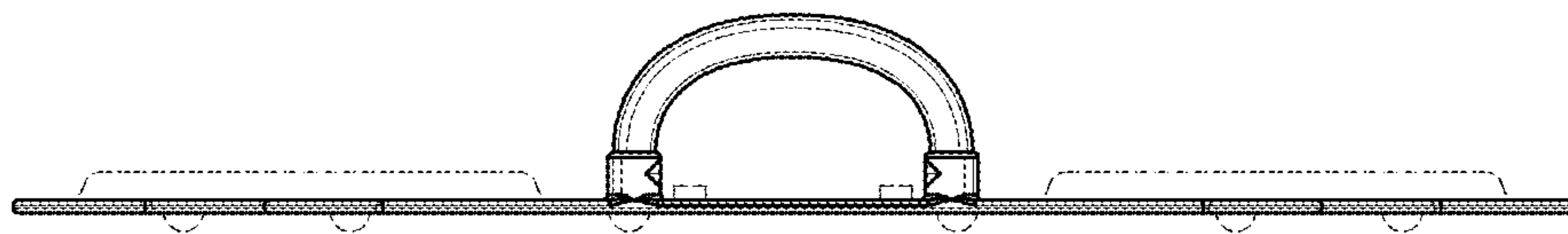
*FIG. 4*



*FIG. 5*



*FIG. 6*



*FIG. 7*

UNITED STATES PATENT AND TRADEMARK OFFICE  
**CERTIFICATE OF CORRECTION**

PATENT NO. : D872,864 S  
APPLICATION NO. : 29/635182  
DATED : January 14, 2020  
INVENTOR(S) : Francois Marcil

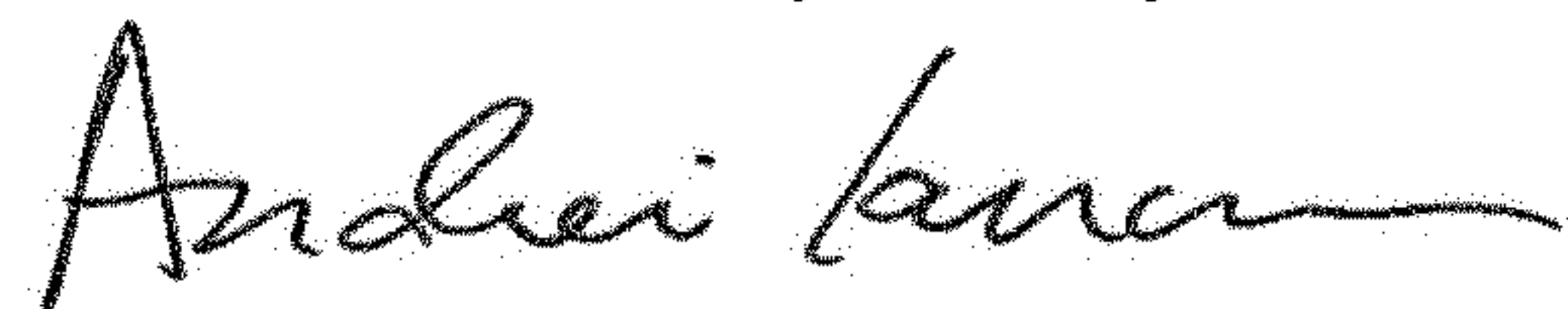
Page 1 of 1

It is certified that error appears in the above-identified patent and that said Letters Patent is hereby corrected as shown below:

On the Title Page

In item (73), in "Assignee", in Column 1, Line 1, delete "LTD," and insert --LTD.-- therefor

Signed and Sealed this  
Fourteenth Day of July, 2020



Andrei Iancu  
*Director of the United States Patent and Trademark Office*