



US00D872863S

(12) **United States Design Patent**  
**Henderson et al.**

(10) **Patent No.:** **US D872,863 S**  
(45) **Date of Patent:** **\*\* Jan. 14, 2020**

(54) **CART-BASED ULTRASONIC DIAGNOSTIC EQUIPMENT**

D840,541 S \* 2/2019 Yanagihara ..... D24/160  
D843,585 S \* 3/2019 Wu ..... D24/186  
D852,962 S \* 7/2019 Chang ..... D24/185  
D855,190 S \* 7/2019 Wu ..... D24/160

(71) Applicant: **EDAN INSTRUMENTS, INC.**,  
Shenzhen (CN)

\* cited by examiner

(72) Inventors: **Richard Henderson**, Sunnyvale, CA  
(US); **Wuchao Mao**, Shenzhen (CN)

*Primary Examiner* — Anhdao Doan

(73) Assignee: **EDAN INSTRUMENTS, INC.**,  
Shenzhen (CN)

(57) **CLAIM**

The ornamental design for a cart-based ultrasonic diagnostic equipment, as shown and described.

(\*\*) Term: **15 Years**

**DESCRIPTION**

(21) Appl. No.: **29/661,664**

(22) Filed: **Aug. 29, 2018**

(51) **LOC (12) Cl.** ..... **24-01**

(52) **U.S. Cl.**  
USPC ..... **D24/160**

(58) **Field of Classification Search**  
USPC ..... D24/158–161, 185, 186, 107, 152, 176,  
D24/177

CPC ... A61B 6/4405; A61B 6/4411; A61B 6/4435;  
A61B 6/4441; A61B 6/4447; A61B  
8/4405; A61B 8/4411; A61B 8/4427;  
A61B 8/462; A61B 8/0437; A61B 8/0883  
See application file for complete search history.

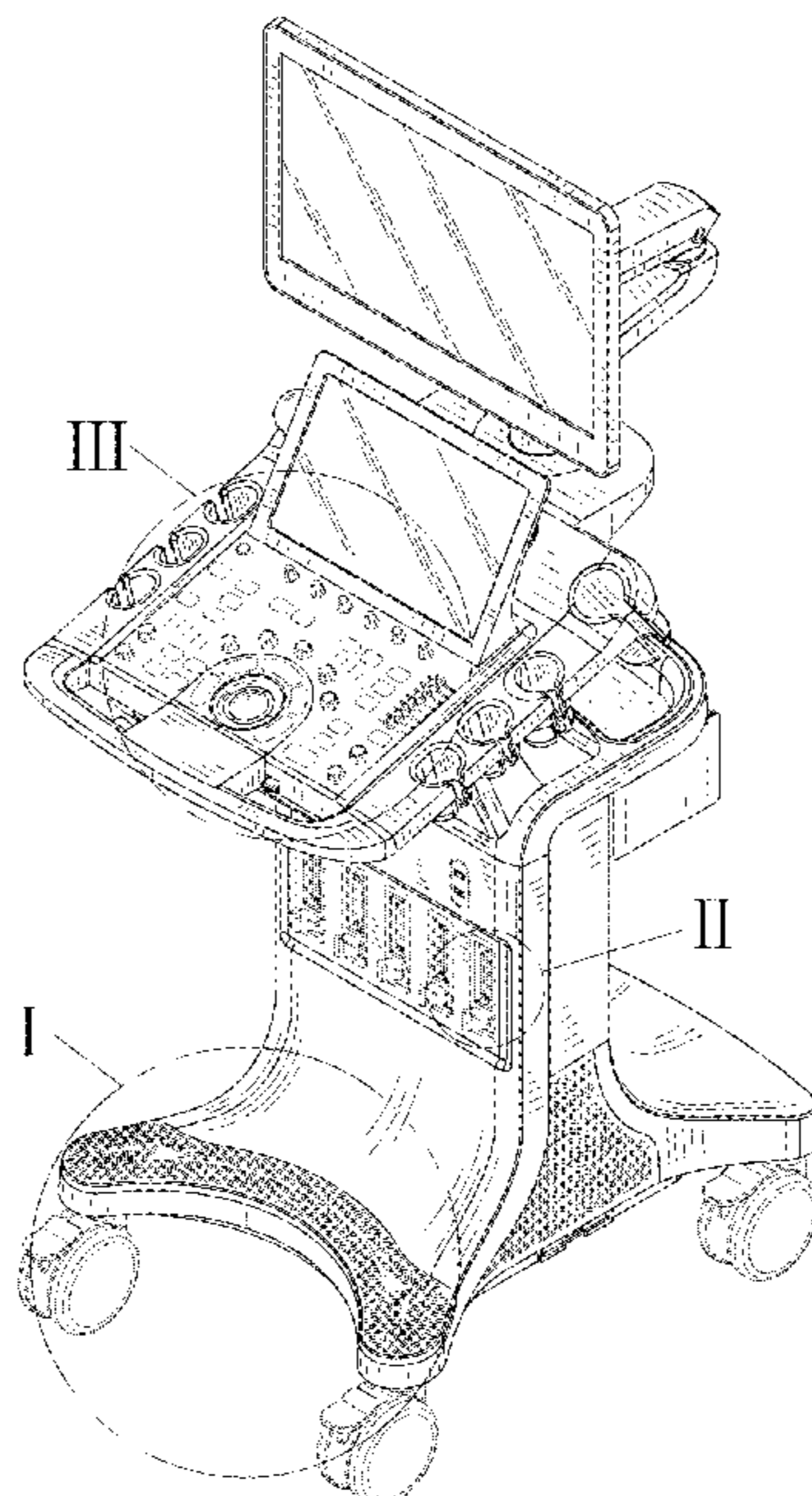
(56) **References Cited**

**U.S. PATENT DOCUMENTS**

8,286,977 B2 \* 10/2012 Butler ..... A61G 12/001  
280/47.34  
D695,898 S \* 12/2013 Chung ..... D24/158  
D707,360 S \* 6/2014 Kim ..... D24/185  
D743,558 S \* 11/2015 Kim ..... D24/158  
D804,673 S \* 12/2017 Shin ..... D24/186  
D825,763 S \* 8/2018 Lim ..... D24/160

FIG. 1 is a first perspective view of a cart-based ultrasonic diagnostic equipment;  
FIG. 2 is a second perspective view of the cart-based ultrasonic diagnostic equipment;  
FIG. 3 is a front view of the cart-based ultrasonic diagnostic equipment;  
FIG. 4 is a rear view of the cart-based ultrasonic diagnostic equipment;  
FIG. 5 is a left side view of the cart-based ultrasonic diagnostic equipment;  
FIG. 6 is a right side view of the cart-based ultrasonic diagnostic equipment;  
FIG. 7 is a top view of the cart-based ultrasonic diagnostic equipment;  
FIG. 8 is a bottom view of the cart-based ultrasonic diagnostic equipment;  
FIG. 9 is a partially enlarged view I in FIG. 1;  
FIG. 10 is a partially enlarged view II in FIG. 1;  
FIG. 11 is a partially enlarged view III in FIG. 1;  
FIG. 12 is a partially enlarged view IV in FIG. 2; and,  
FIG. 13 is a partially enlarged view V in FIG. 2.  
The broken lines in the drawings depict portions of the cart-based ultrasonic diagnostic equipment that form no part of the claimed design.

**1 Claim, 13 Drawing Sheets**



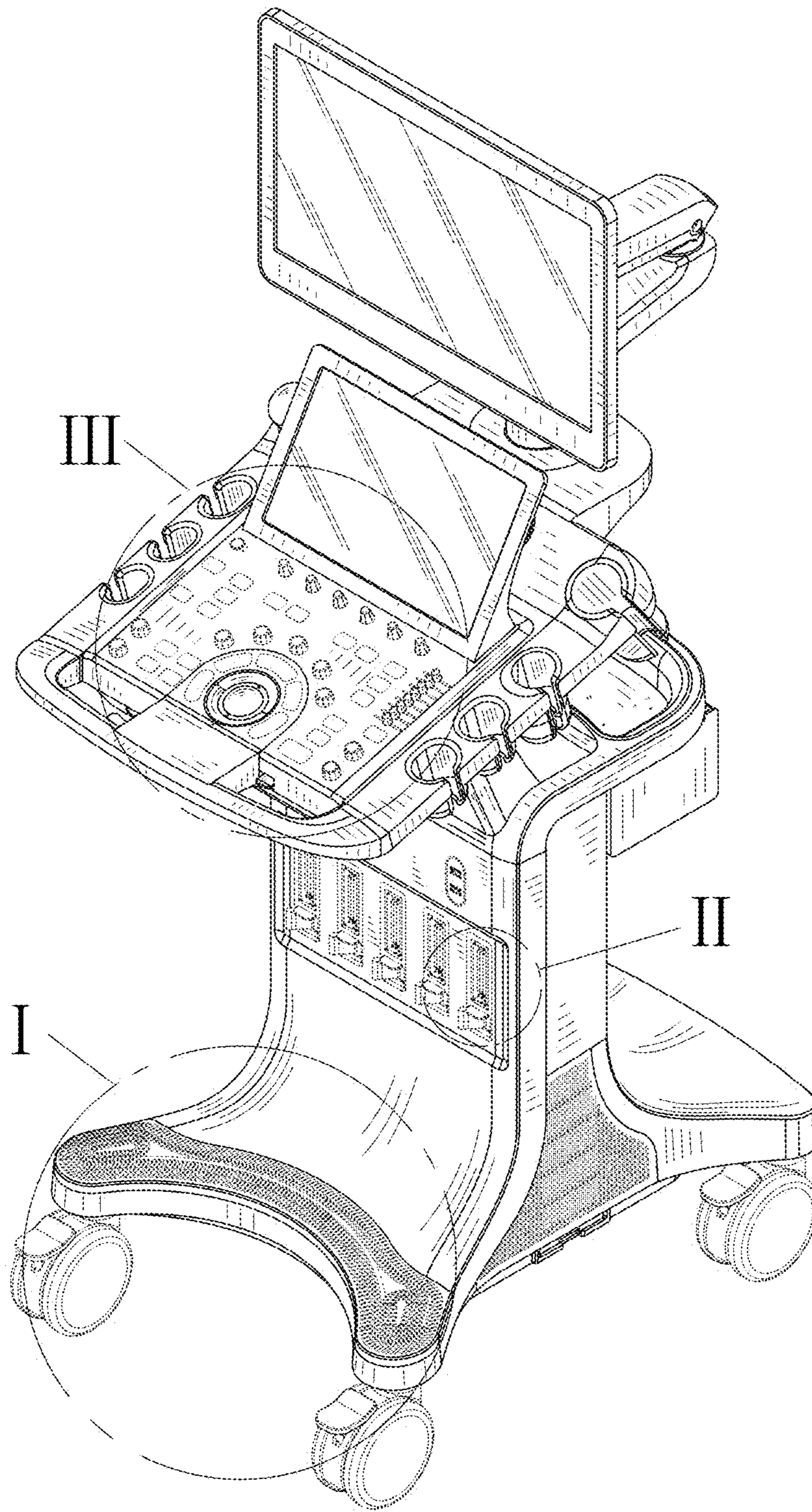


FIG. 1



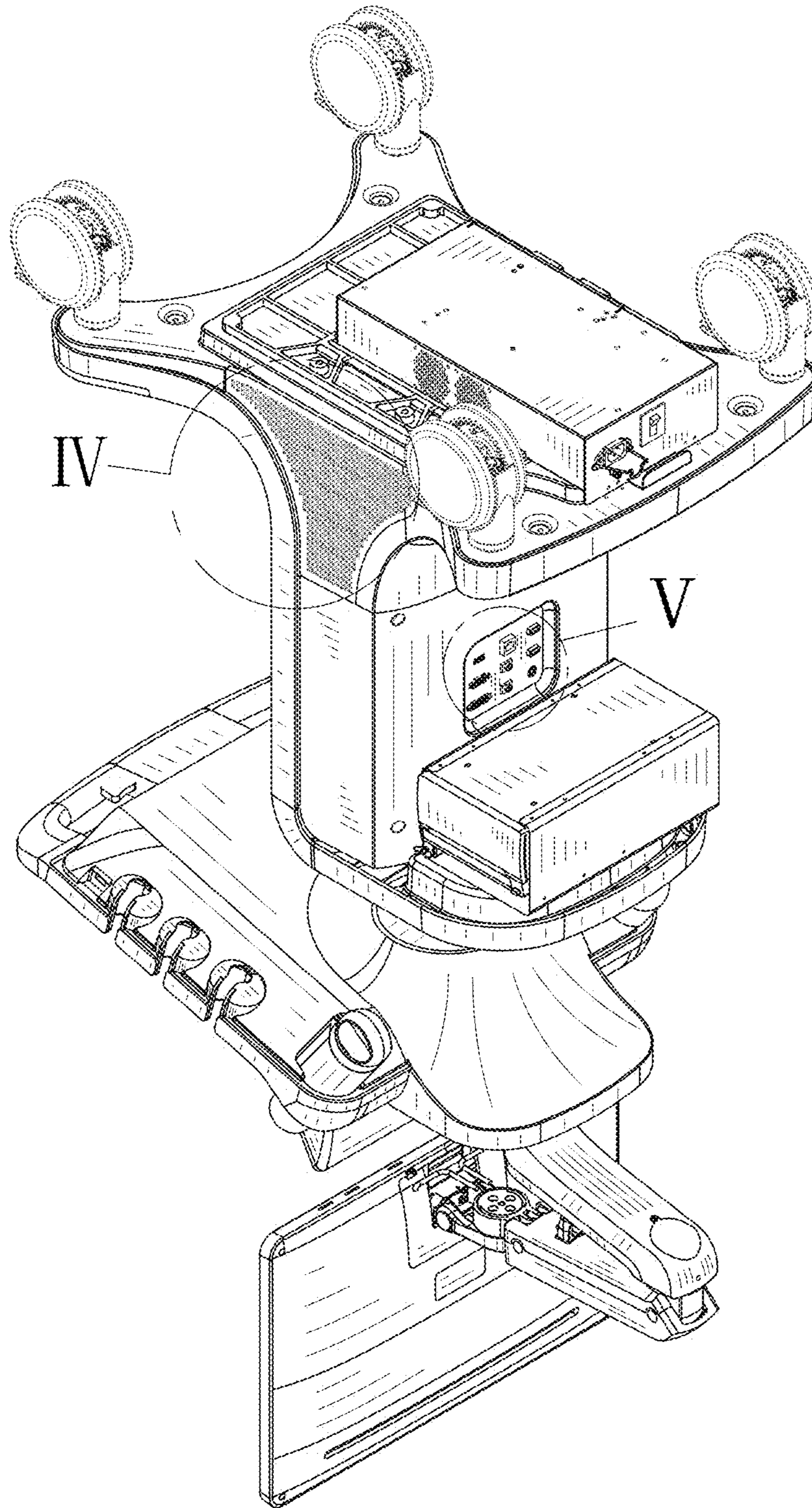


FIG. 2

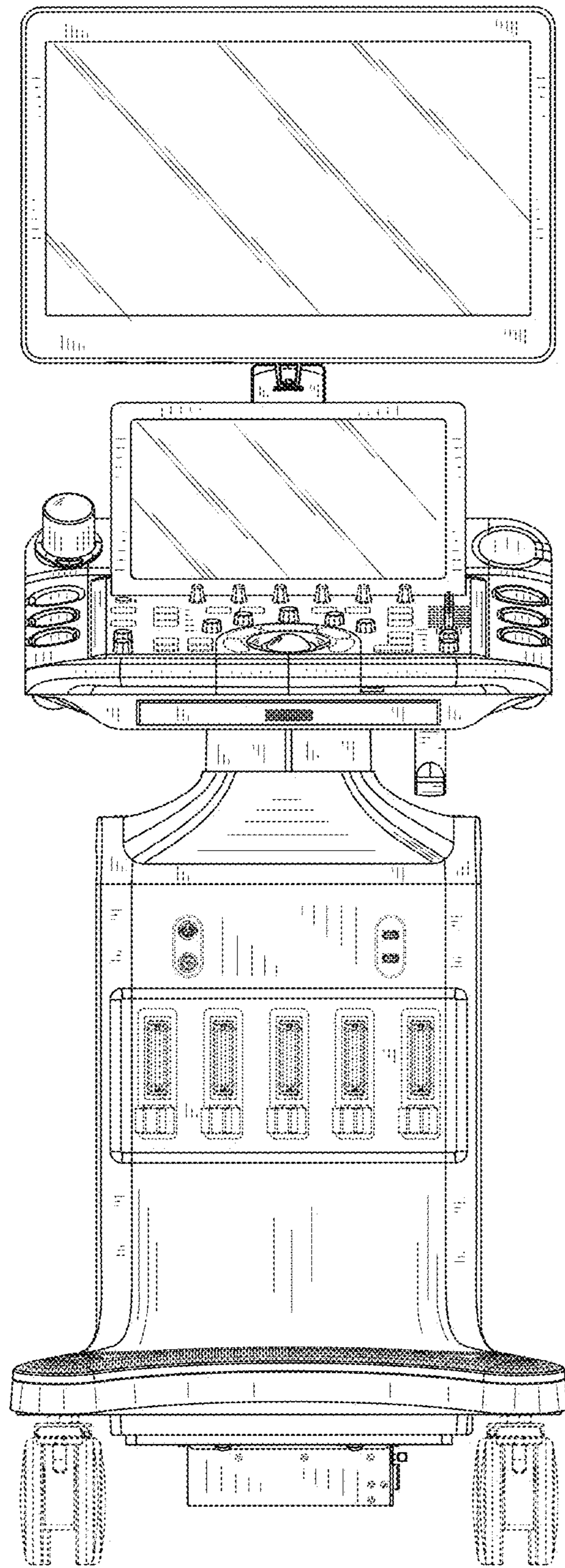


FIG. 3

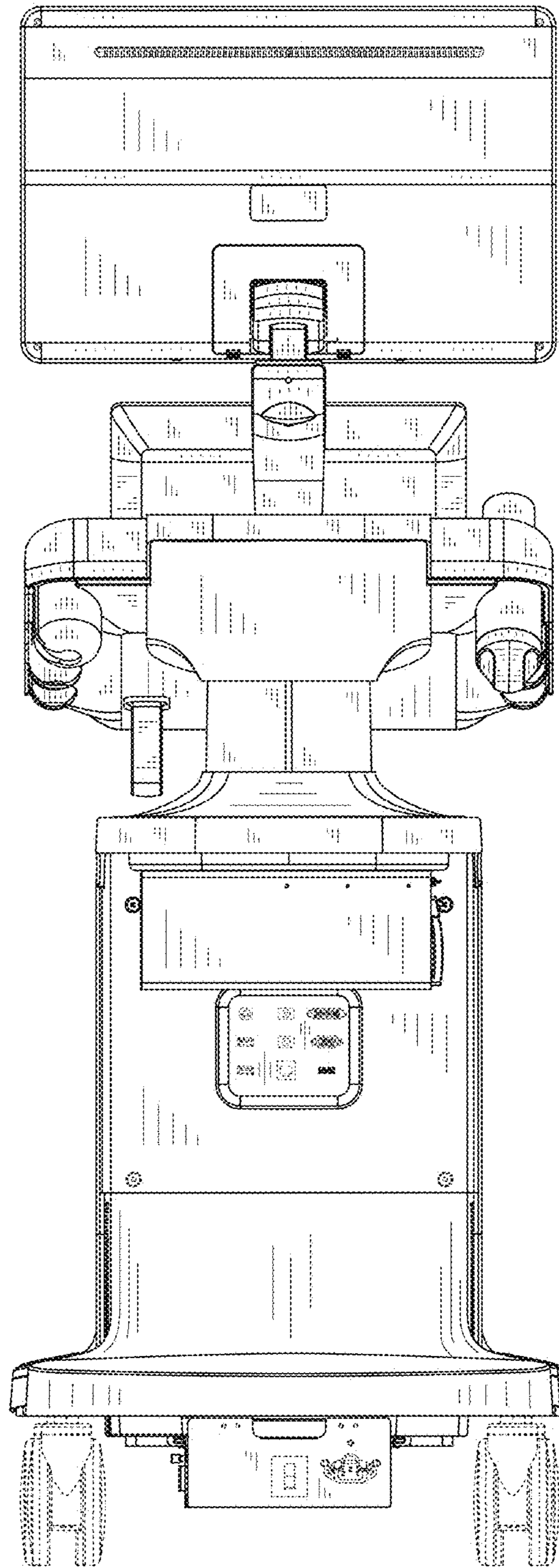


FIG. 4



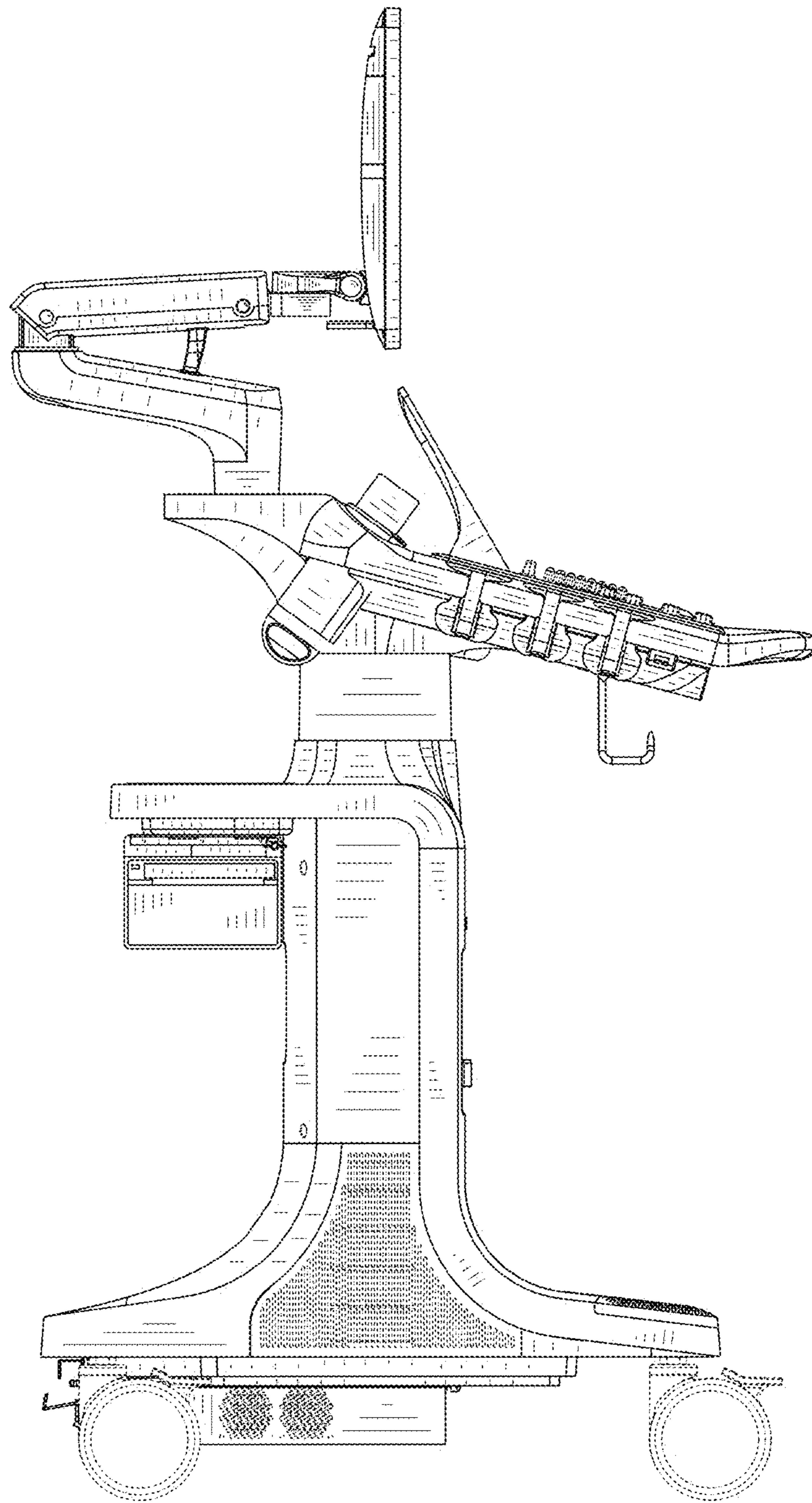


FIG. 5

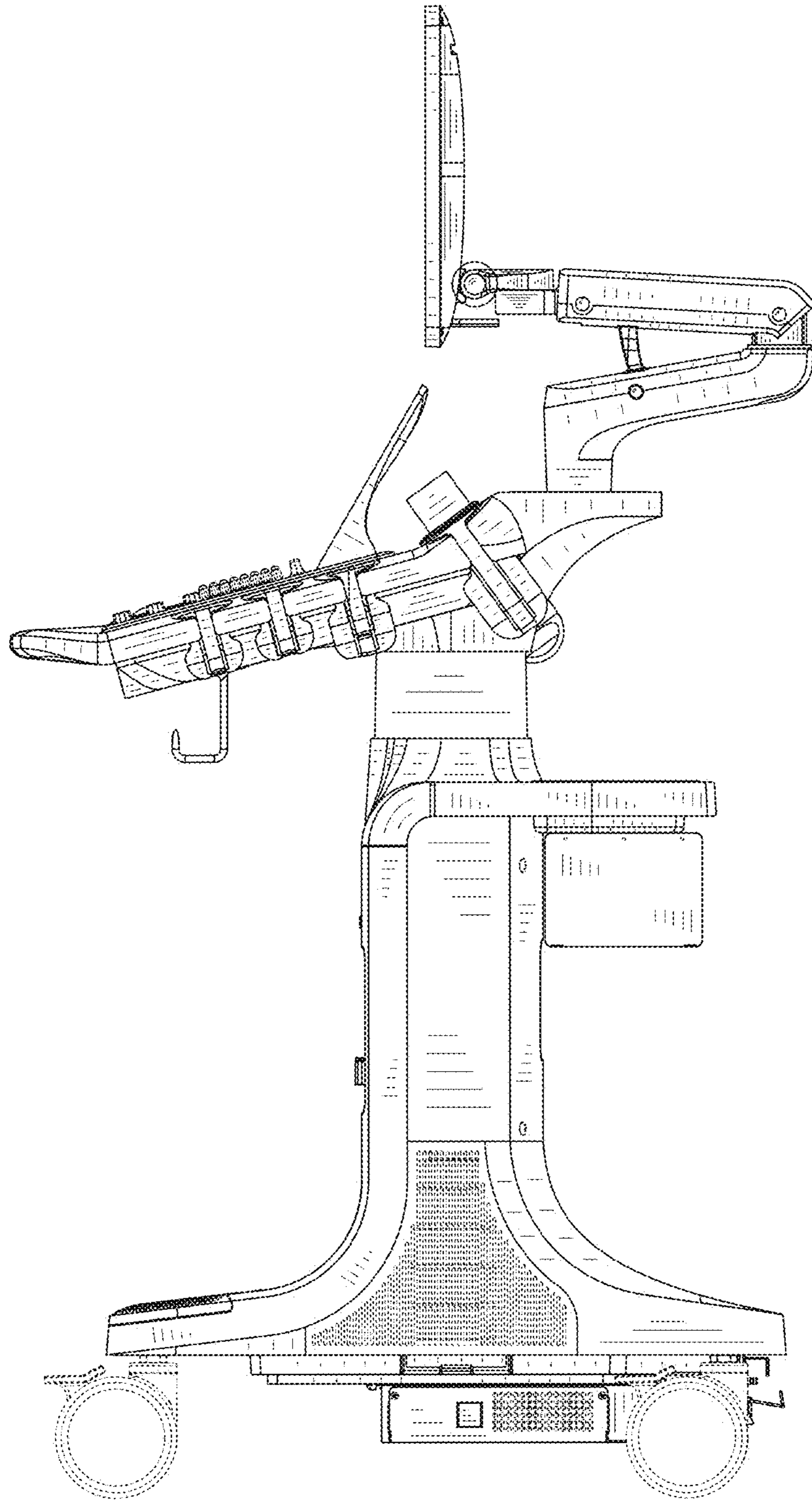


FIG. 6

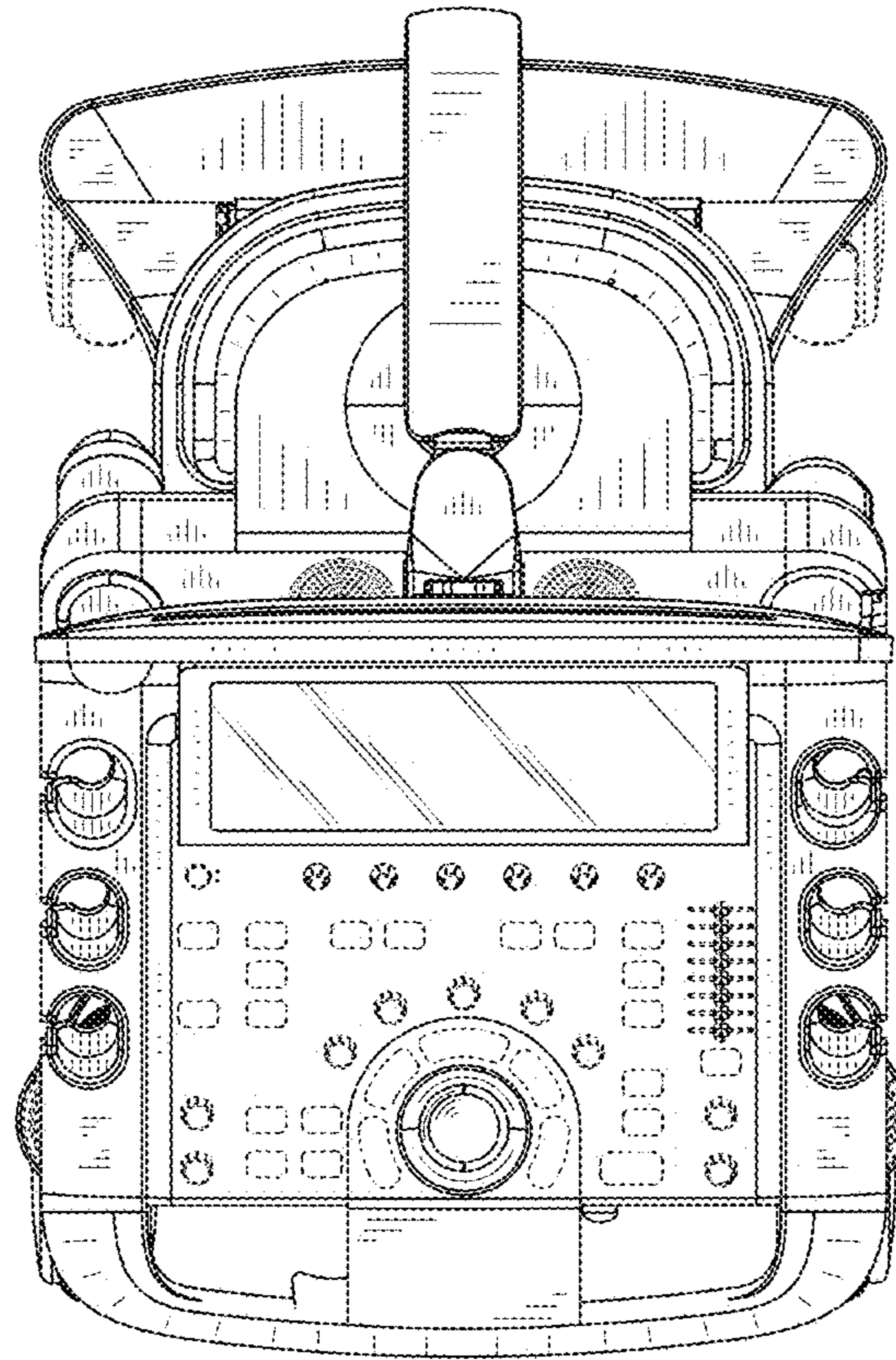


FIG. 7



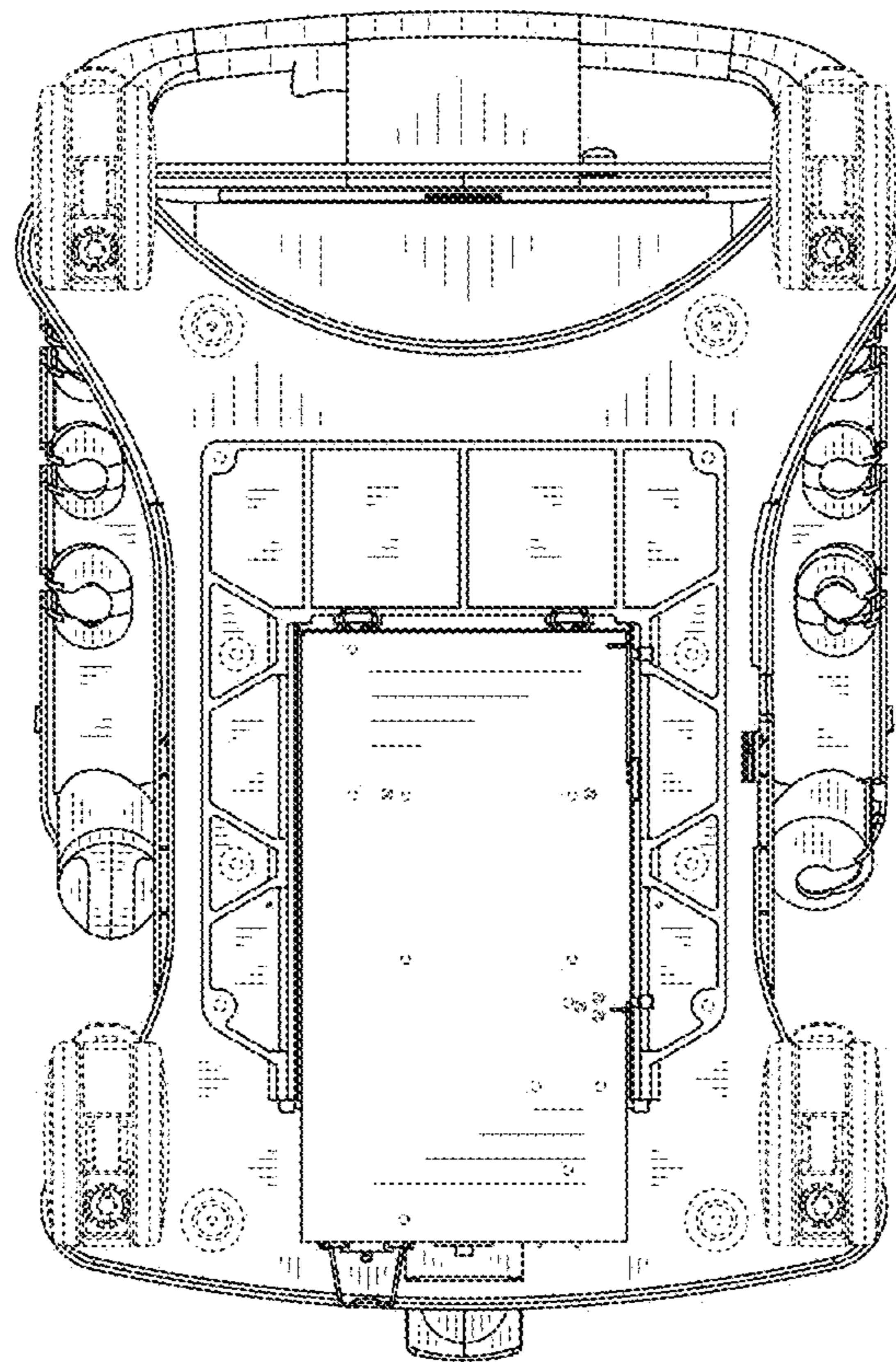


FIG. 8

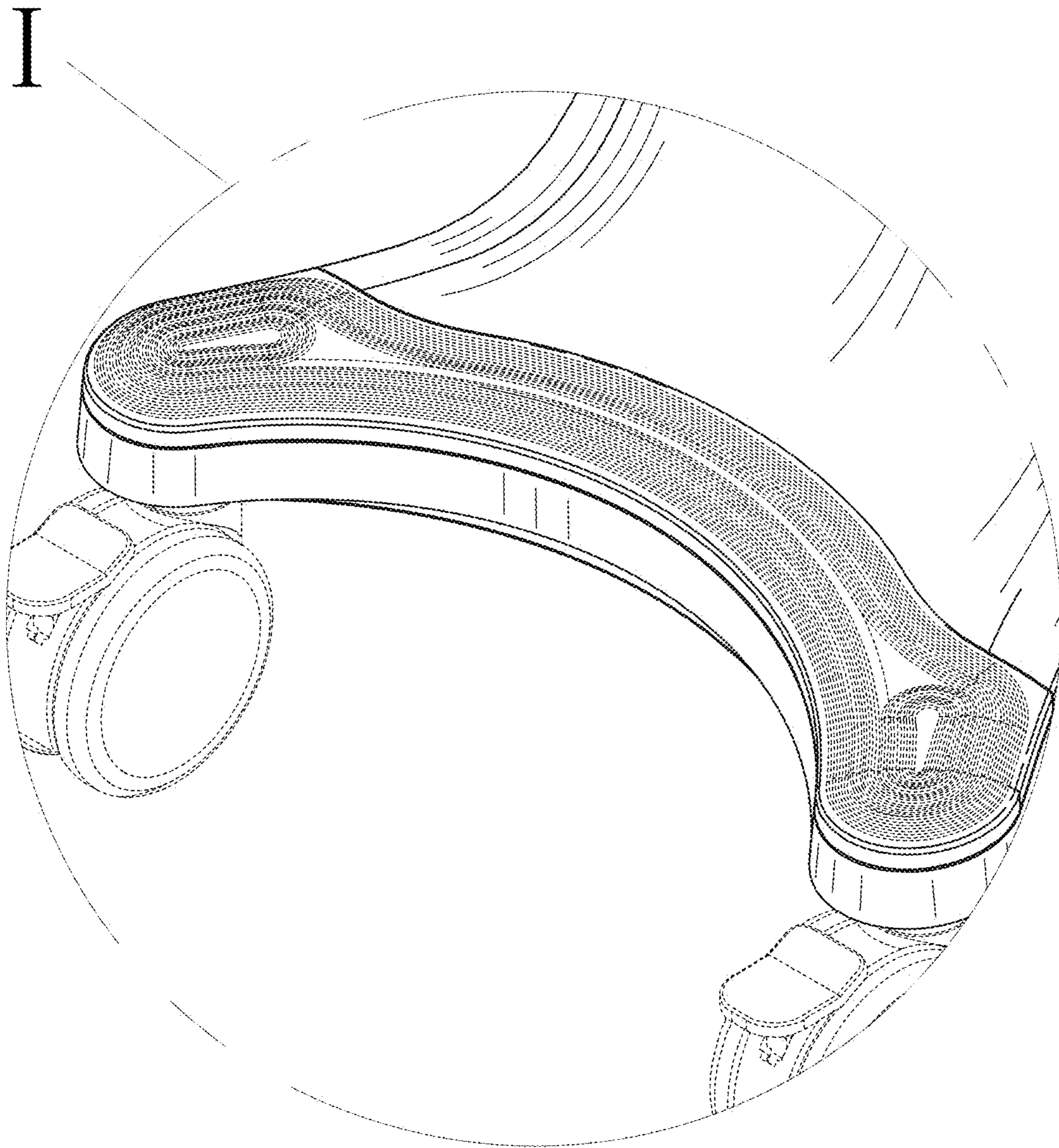


FIG. 9

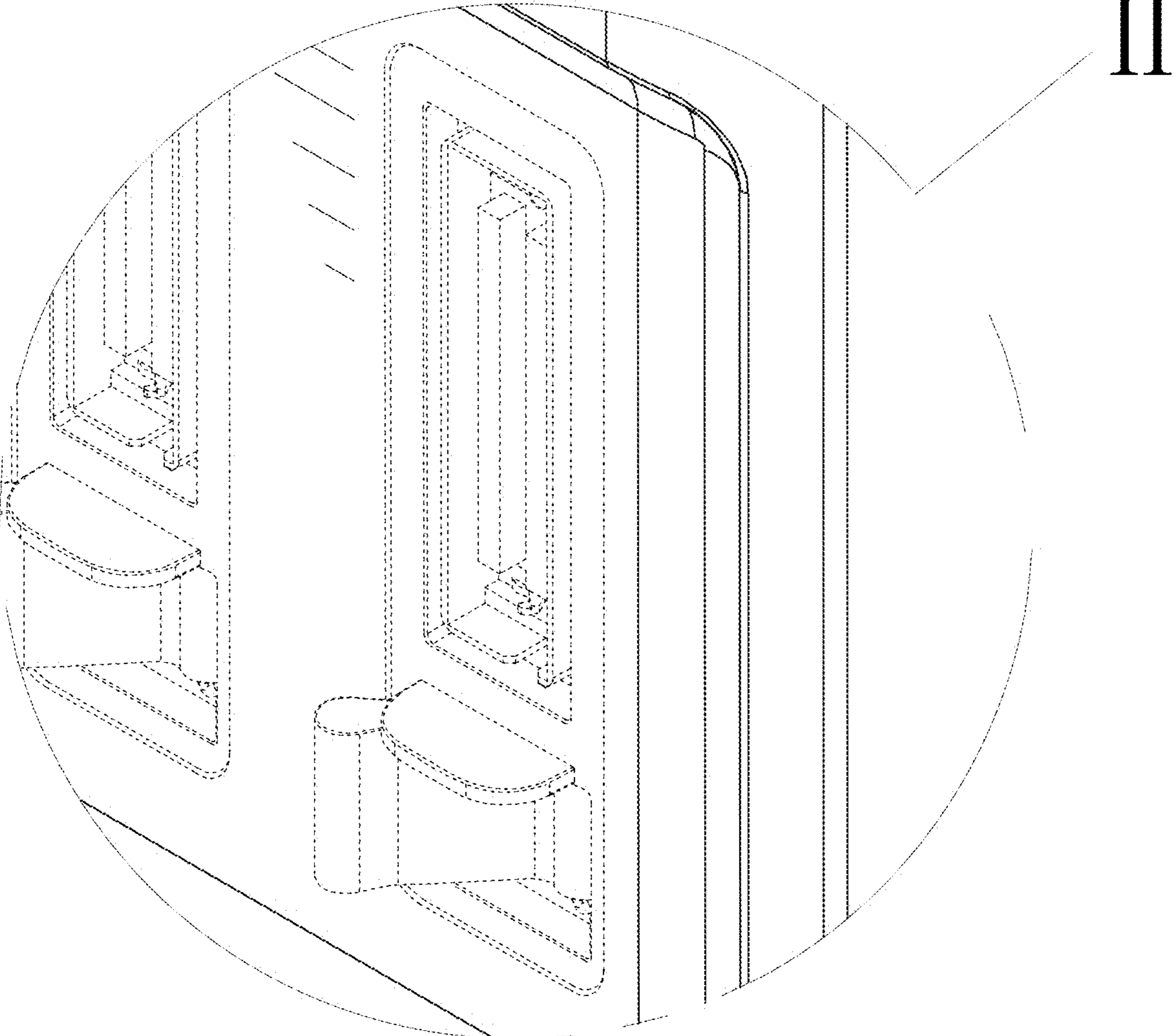


FIG.10



III

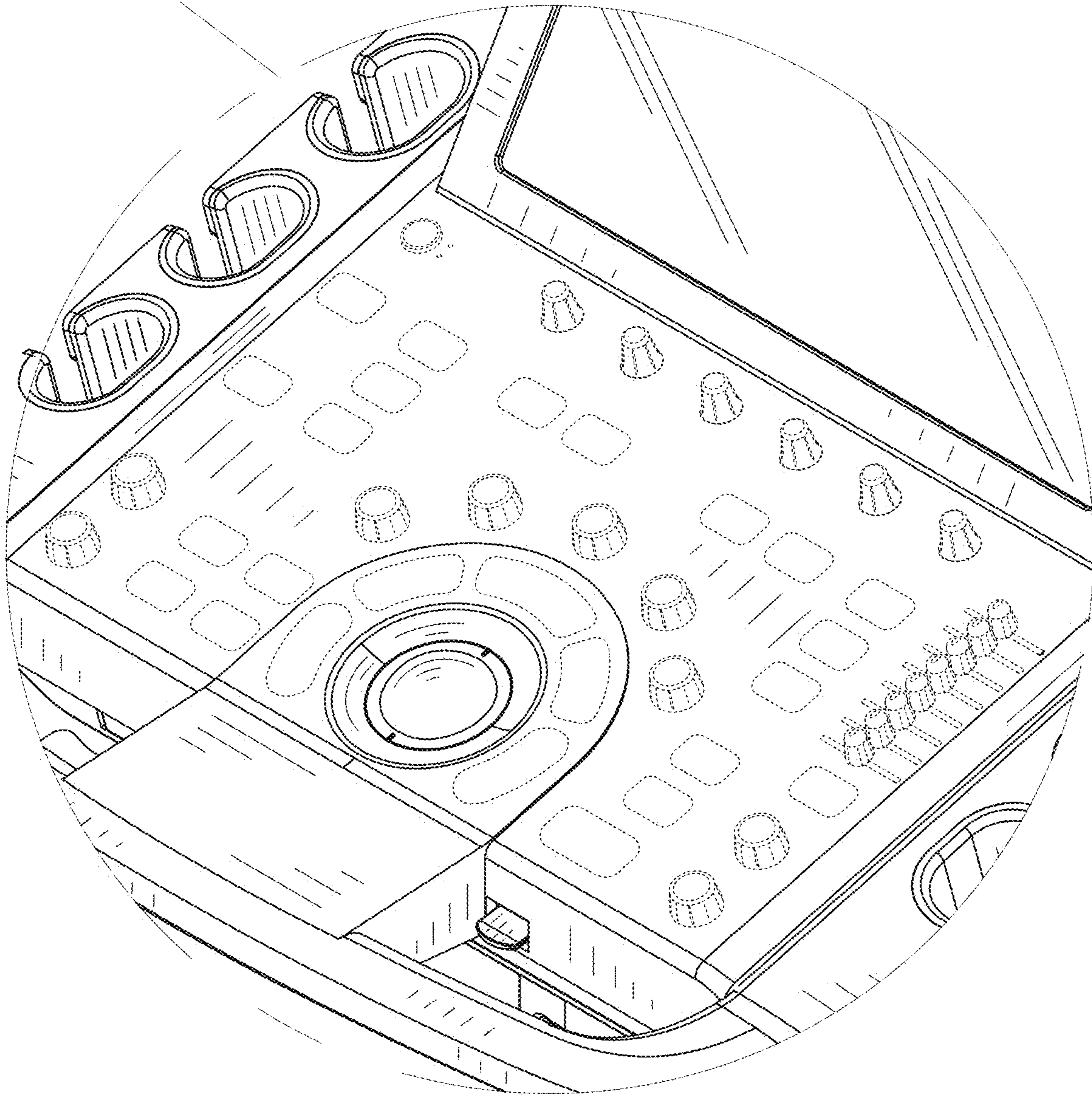


FIG.11

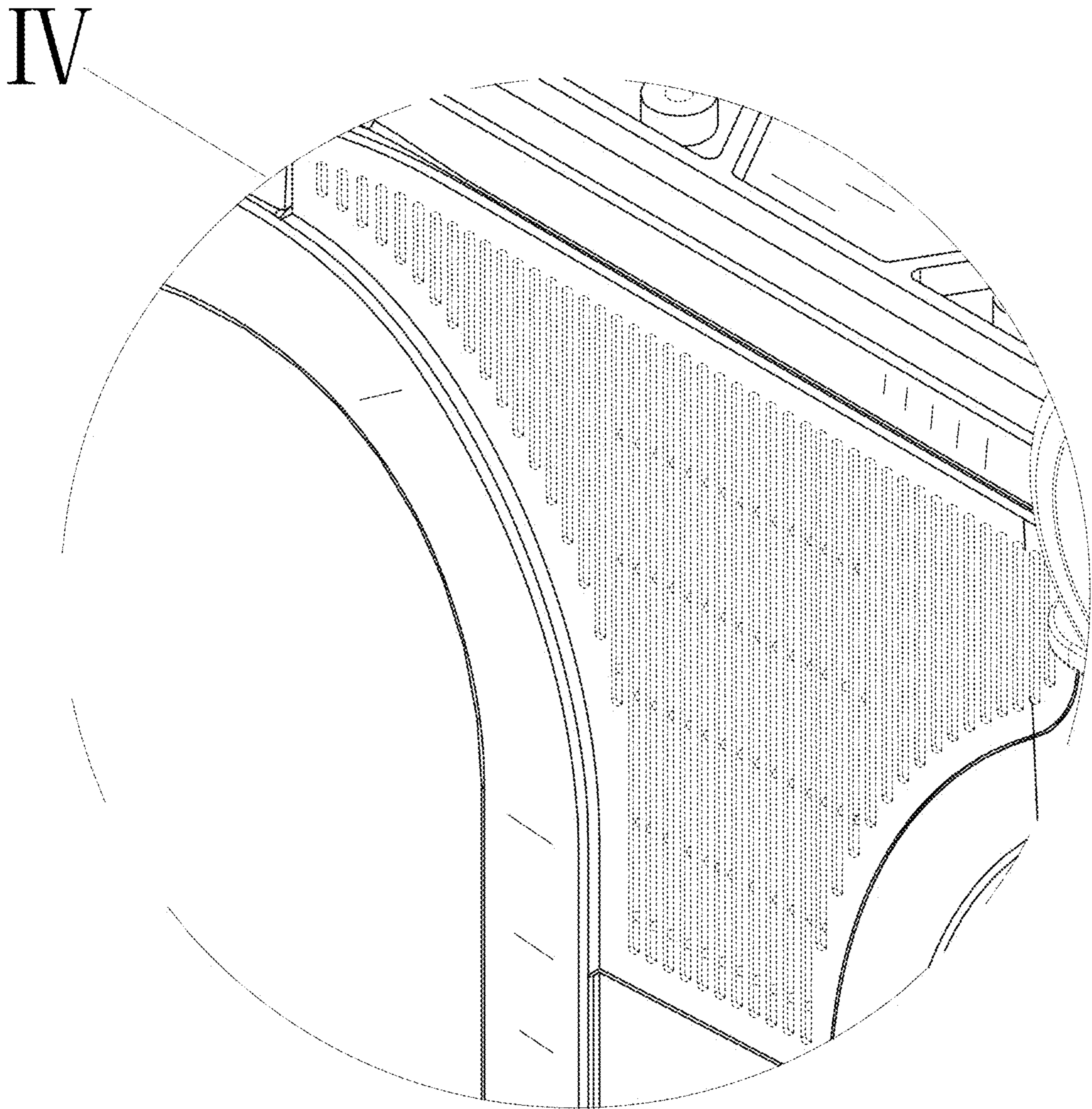


FIG. 12

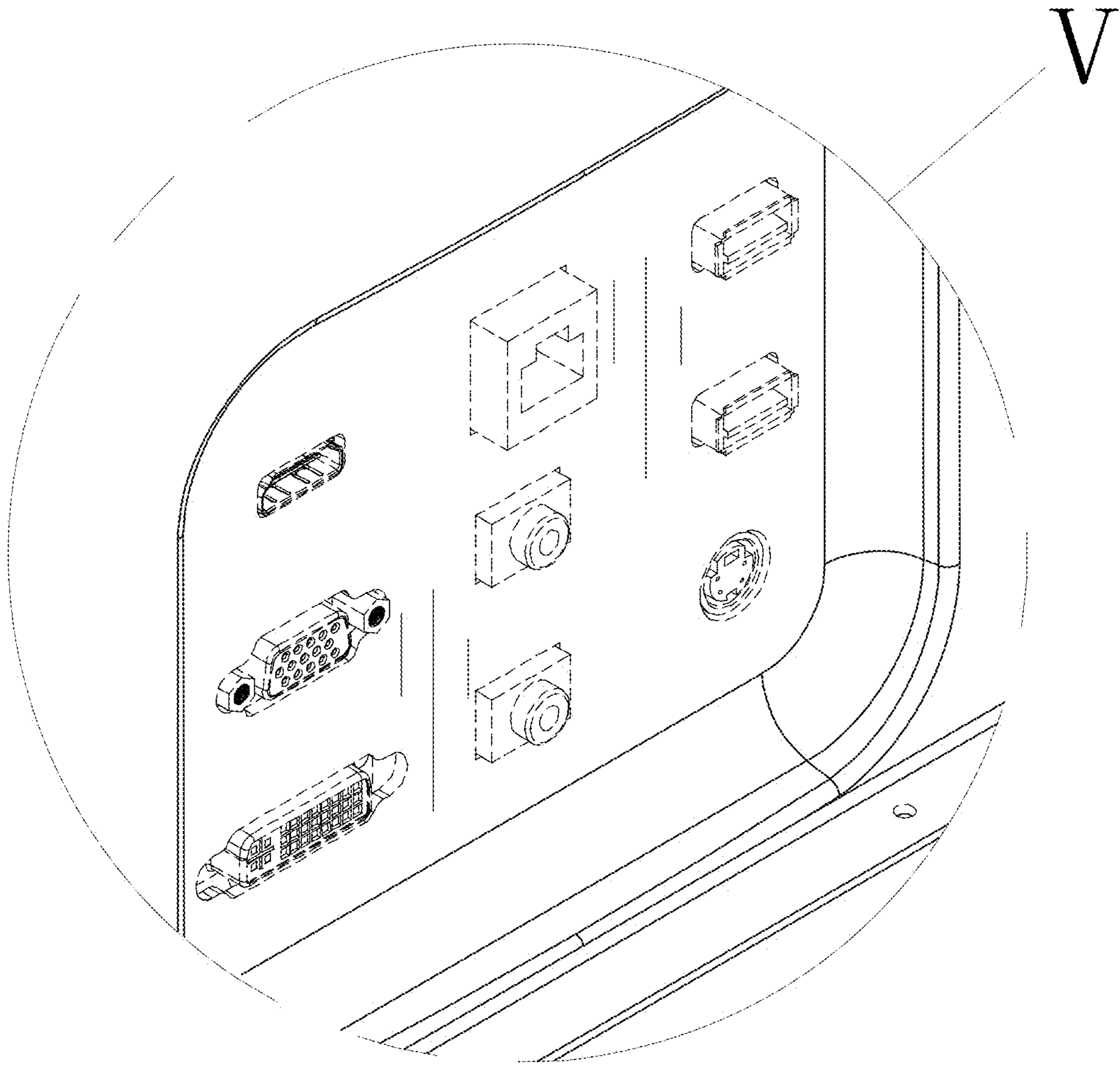


FIG.13