



US00D872862S

(12) **United States Design Patent**
Mao et al.

(10) **Patent No.:** **US D872,862 S**
(45) **Date of Patent:** **** Jan. 14, 2020**

(54) **ULTRASONIC DIAGNOSTIC SYSTEM**

DESCRIPTION

- (71) Applicant: **EDAN INSTRUMENTS, INC.**,
Shenzhen (CN)
- (72) Inventors: **Wuchao Mao**, Shenzhen (CN);
Richard Henderson, Sunnyvale, CA
(US)
- (73) Assignee: **EDAN INSTRUMENTS, INC.**,
Shenzhen (CN)
- (**) Term: **15 Years**
- (21) Appl. No.: **29/655,343**
- (22) Filed: **Jul. 2, 2018**

(30) **Foreign Application Priority Data**

- Nov. 2, 2017 (CN) 2017 3 0549005
- (51) **LOC (12) Cl.** **24-01**
- (52) **U.S. Cl.**
USPC **D24/160; D24/186**
- (58) **Field of Classification Search**
USPC **D24/158-161, 185, 186, 107, 152, 176,**
D24/177

(Continued)

(56) **References Cited**

U.S. PATENT DOCUMENTS

- D454,954 S * 3/2002 Cannon D24/160
- D562,456 S * 2/2008 Scruggs D24/160

(Continued)

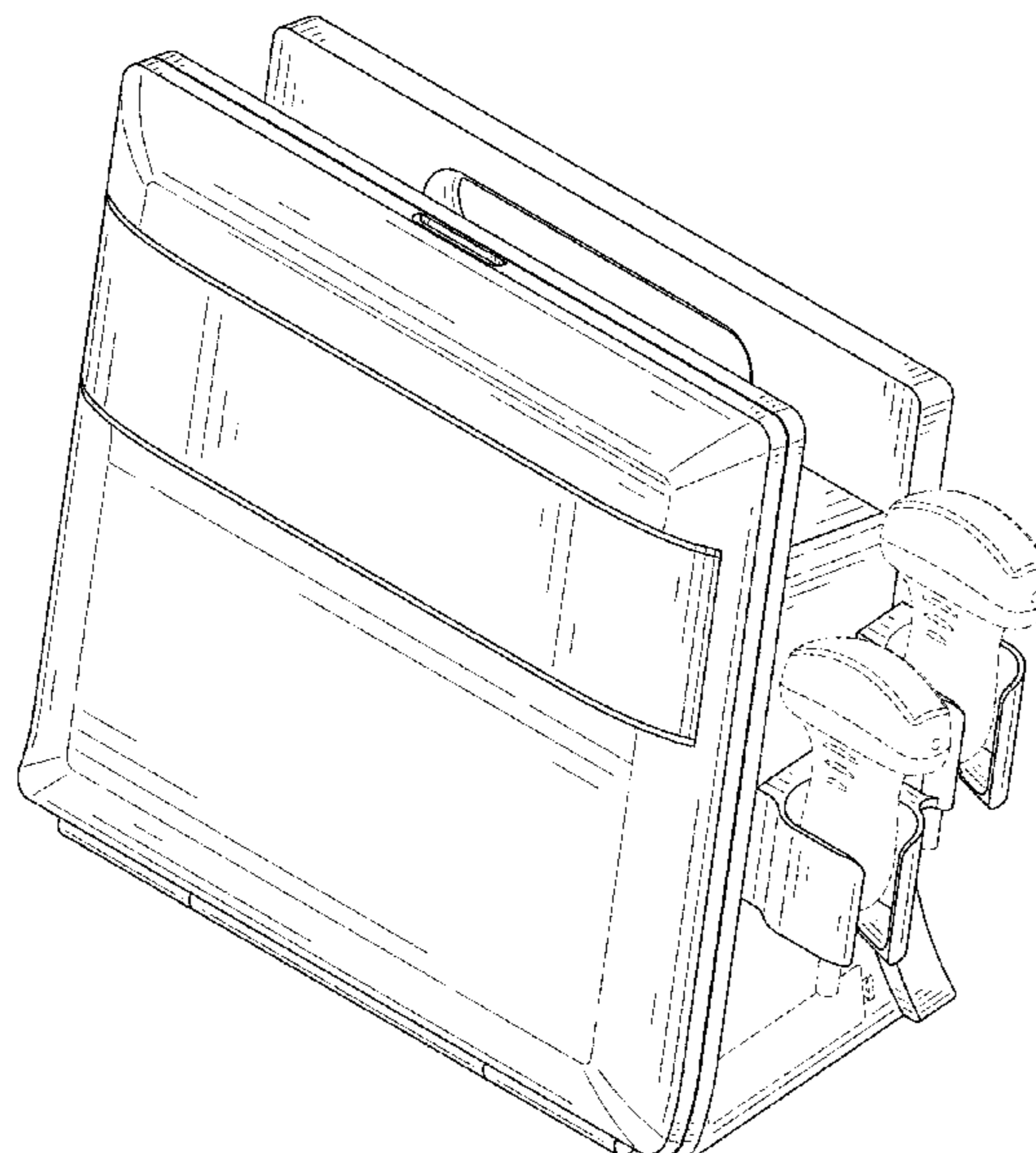
Primary Examiner — Anhdao Doan

(57) **CLAIM**

The ornamental design for an ultrasonic diagnostic system,
as shown and described.

FIG. 1 is a first perspective view of an ultrasonic diagnostic system;
 FIG. 2 is a second perspective view of the ultrasonic diagnostic system;
 FIG. 3 is a front view of the ultrasonic diagnostic system;
 FIG. 4 is a rear view of the ultrasonic diagnostic system;
 FIG. 5 is a left side view of the ultrasonic diagnostic system;
 FIG. 6 is a right side view of the ultrasonic diagnostic system;
 FIG. 7 is a top view of the ultrasonic diagnostic system;
 FIG. 8 is a bottom view of the ultrasonic diagnostic system;
 FIG. 9 is an enlarged view of part 9 as shown in FIG. 8;
 FIG. 10 is an enlarged view of part 10 as shown in FIG. 2;
 FIG. 11 is an enlarged view of part 11 as shown in FIG. 2;
 FIG. 12 is an enlarged view of part 12 as shown in FIG. 2;
 FIG. 13 is an enlarged view of part 13 as shown in FIG. 2;
 FIG. 14 is an enlarged view of part 14 as shown in FIG. 2;
 FIG. 15 is an enlarged view of part 15 as shown in FIG. 2;
 FIG. 16 is an enlarged view of part 16 as shown in FIG. 2;
 FIG. 17 is an enlarged view of part 17 as shown in FIG. 2;
 FIG. 18 is an enlarged view of part 18 as shown in FIG. 3;
 FIG. 19 is an enlarged view of part 19 as shown in FIG. 3;
 FIG. 20 is an enlarged view of part 20 as shown in FIG. 3;
 FIG. 21 is an enlarged view of part 21 as shown in FIG. 3;
 FIG. 22 is an enlarged view of part 22 as shown in FIG. 4;
 FIG. 23 is an enlarged view of part 23 as shown in FIG. 4;
 FIG. 24 is an enlarged view of part 24 as shown in FIG. 4;
 FIG. 25 is an enlarged view of part 25 as shown in FIG. 4;
 FIG. 26 is an enlarged view of part 26 as shown in FIG. 8;
 FIG. 27 is an enlarged view of part 27 as shown in FIG. 8;
 FIG. 28 is an enlarged view of part 28 as shown in FIG. 8;
 FIG. 29 is an enlarged view of part 29 as shown in FIG. 8;
 and,
 FIG. 30 is an enlarged view of part 30 as shown in FIG. 8.
 The broken lines in the drawings depict portions of the ultrasonic diagnostic system that form no part of the claimed design.

1 Claim, 30 Drawing Sheets



(58) **Field of Classification Search**

CPC ... A61B 6/4405; A61B 6/4411; A61B 6/4435;
A61B 6/4441; A61B 6/4447; A61B
8/4405; A61B 8/4411; A61B 8/4427;
A61B 8/462; A61B 8/0437; A61B 8/0883
See application file for complete search history.

(56) **References Cited**

U.S. PATENT DOCUMENTS

D637,291	S *	5/2011	Wu	D24/158
D724,737	S *	3/2015	Kawamura	D24/158
D727,505	S *	4/2015	Choudhary	D24/158
D784,542	S *	4/2017	Zwierstra	D24/186
D844,791	S *	4/2019	Henderson	D24/186
D854,166	S *	7/2019	Wang	D24/186
2008/0249406	A1 *	10/2008	Naruse	A61B 8/00 600/437
2013/0218017	A1 *	8/2013	Kim	A61B 8/4444 600/459
2015/0182196	A1 *	7/2015	Ninomiya	A61B 8/4427 600/437
2015/0289841	A1 *	10/2015	Brusaca	A61B 8/4405 600/437
2018/0021015	A1 *	1/2018	Naruse	A61B 8/14 600/437

* cited by examiner

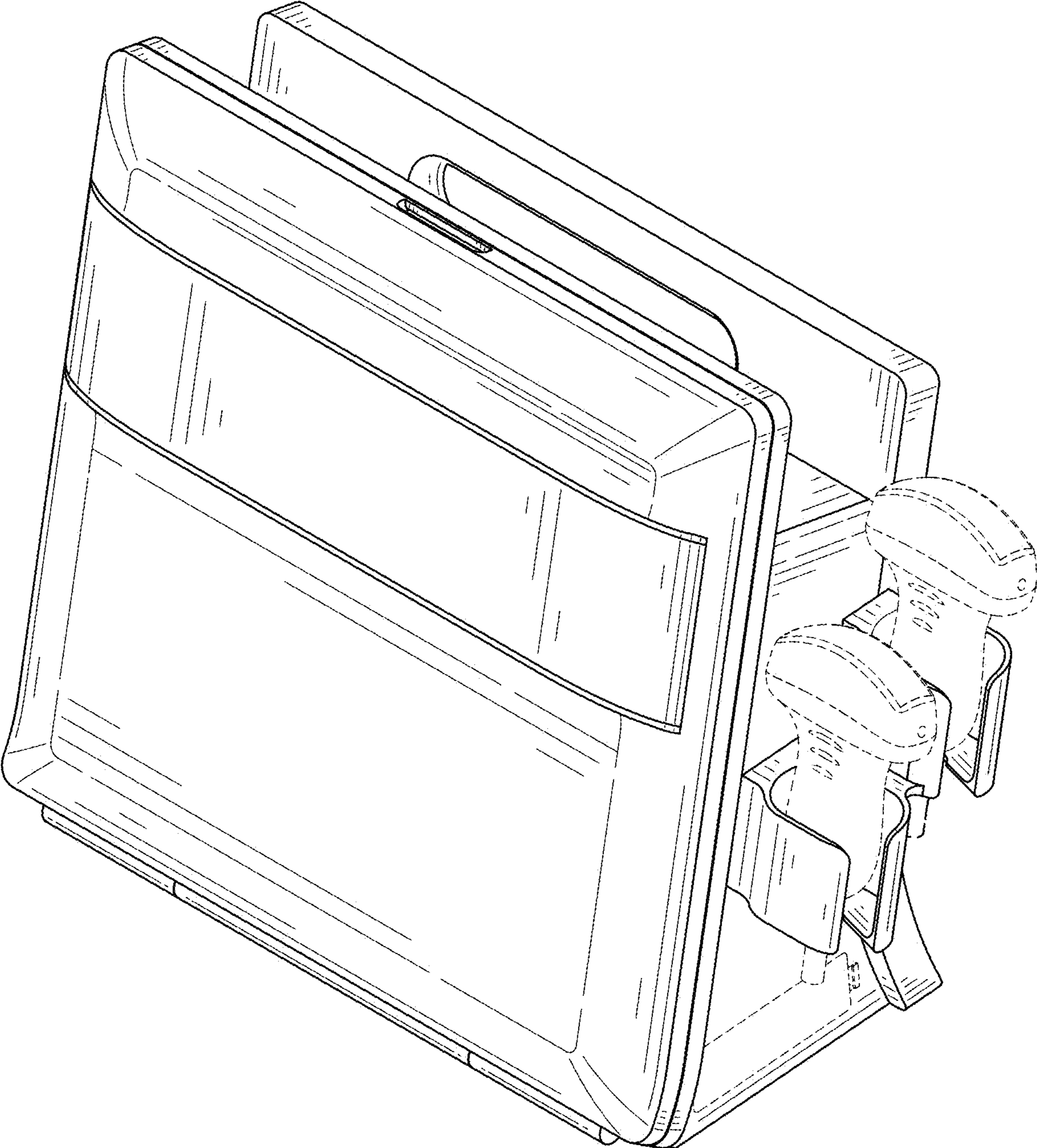


FIG. 1

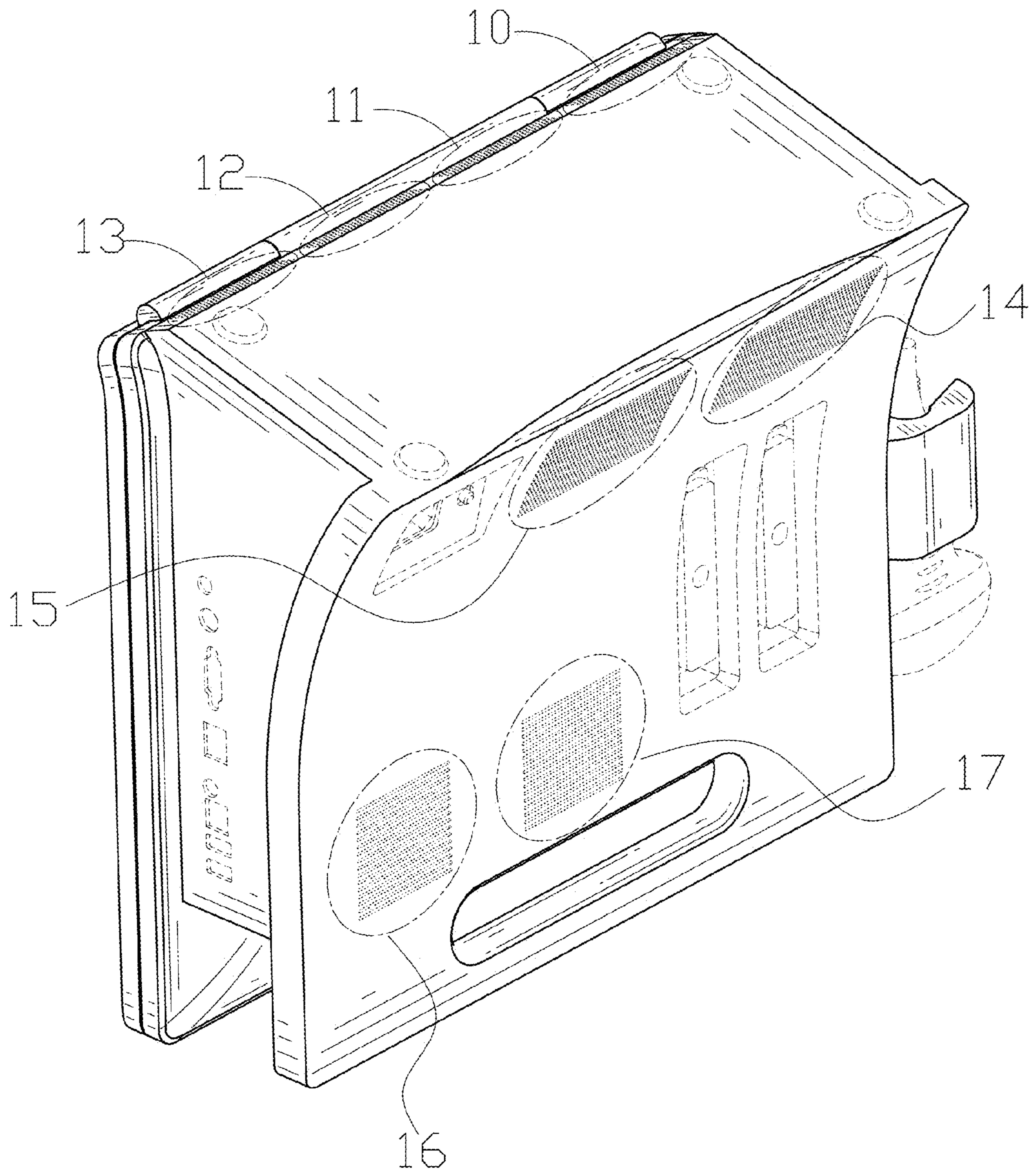


FIG. 2

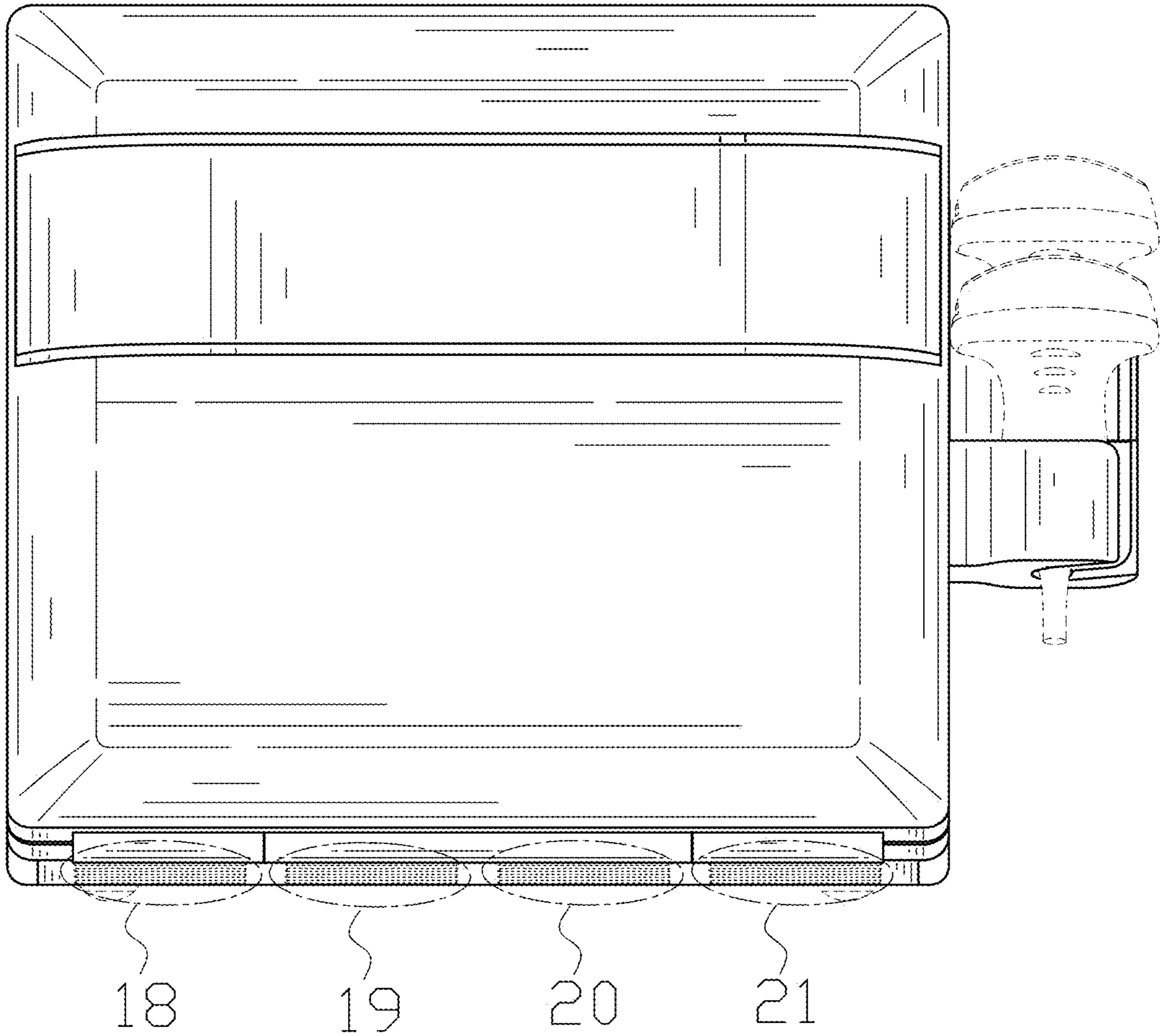


FIG. 3

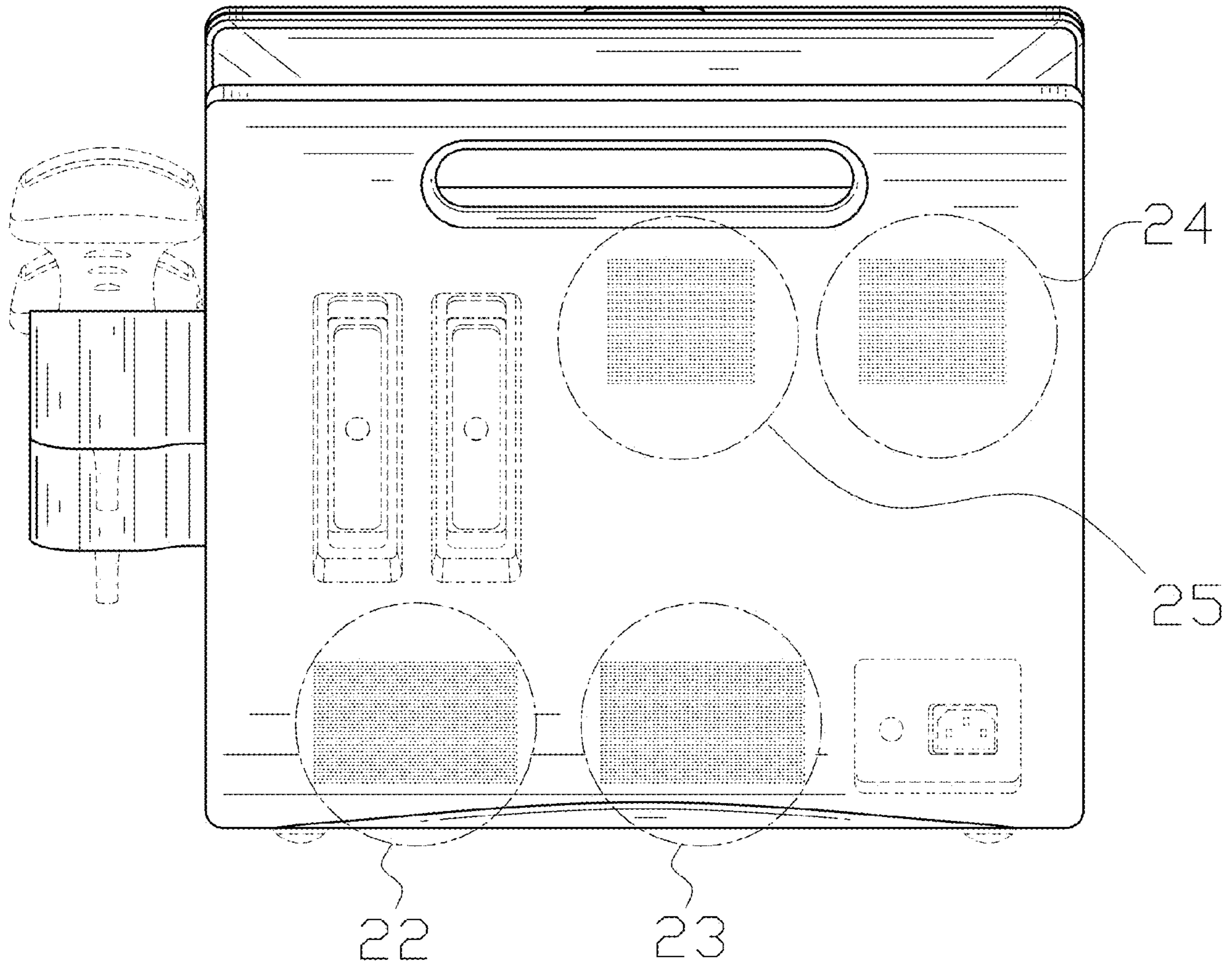


FIG. 4

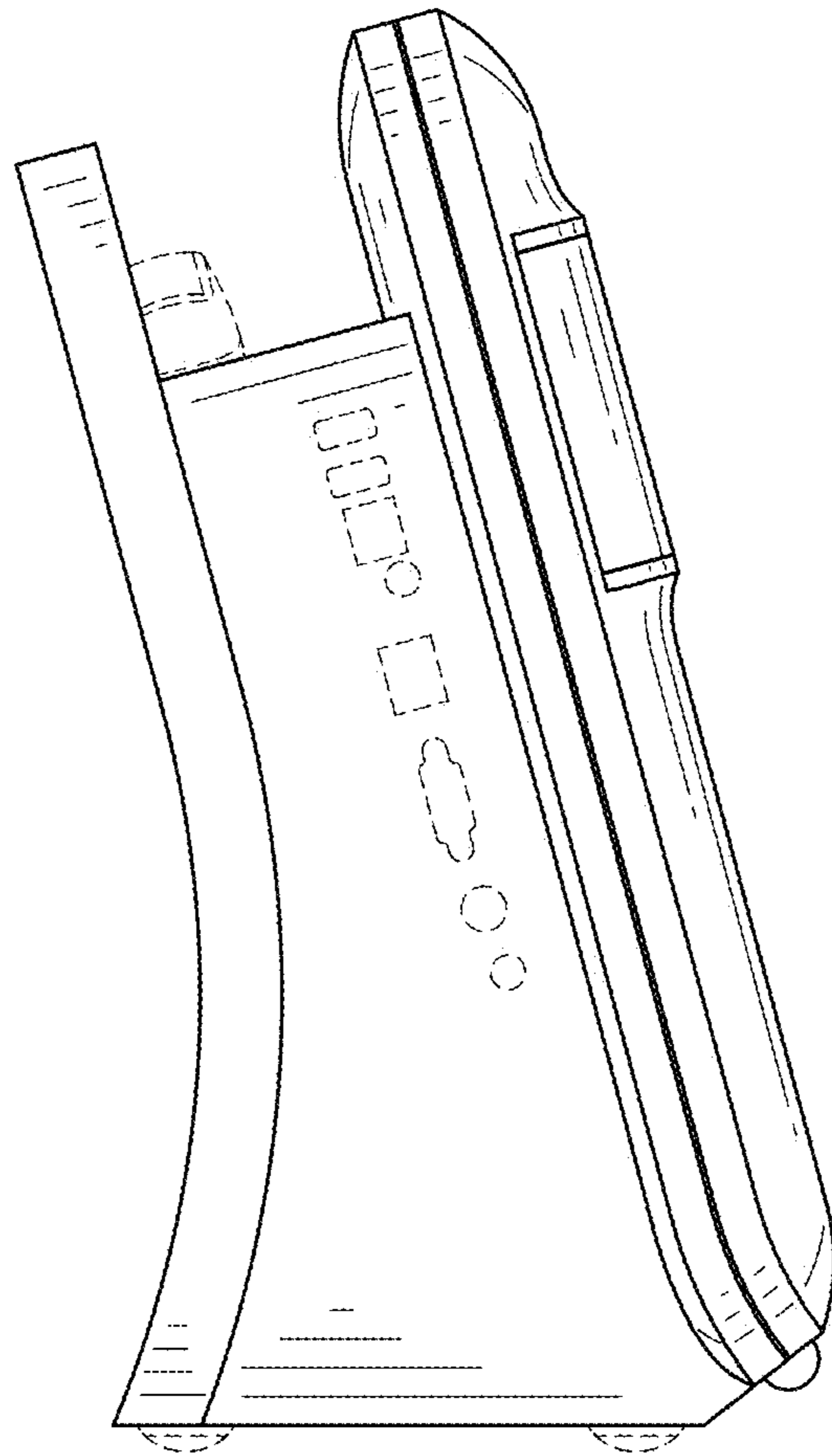


FIG. 5

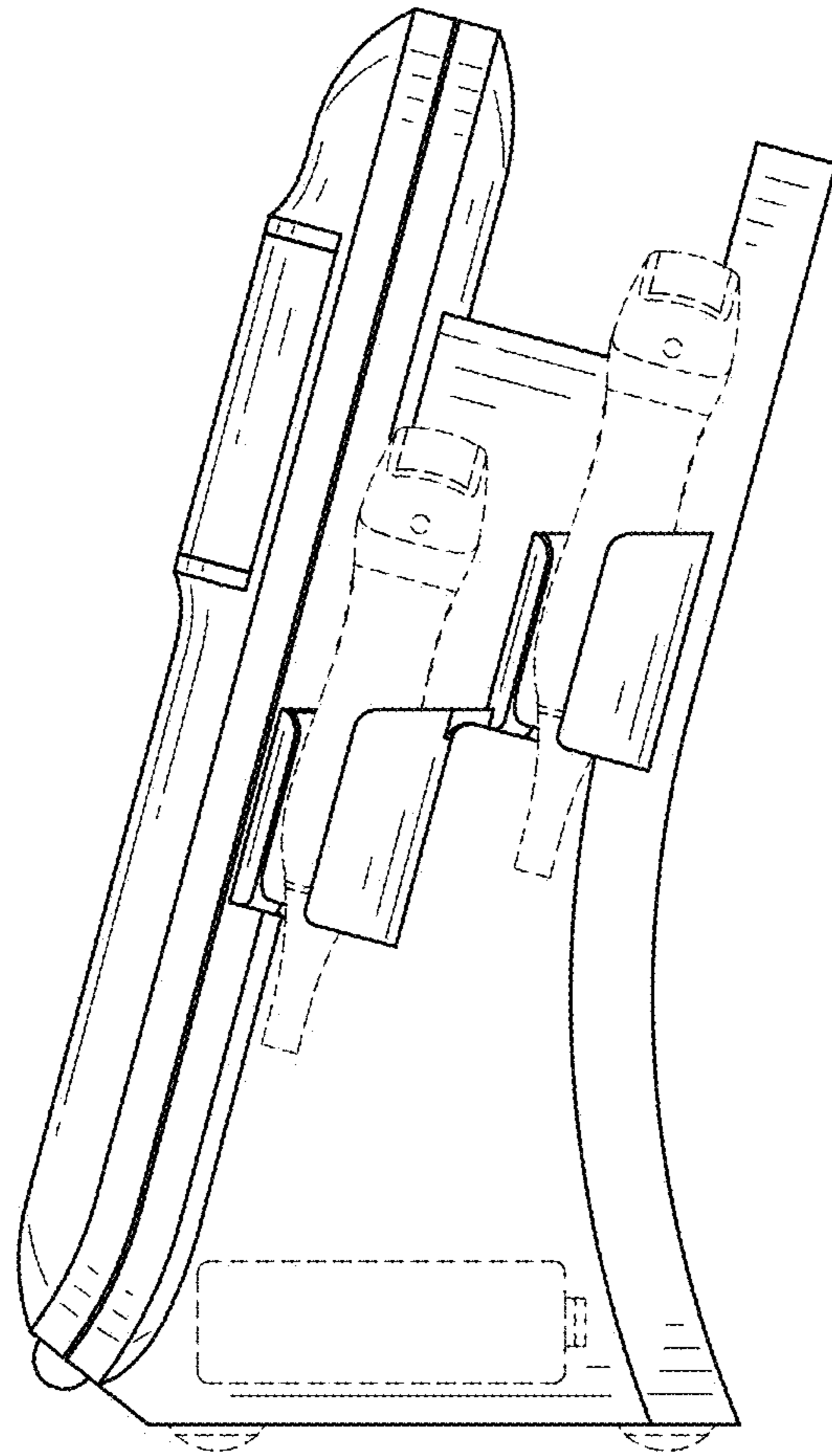


FIG. 6

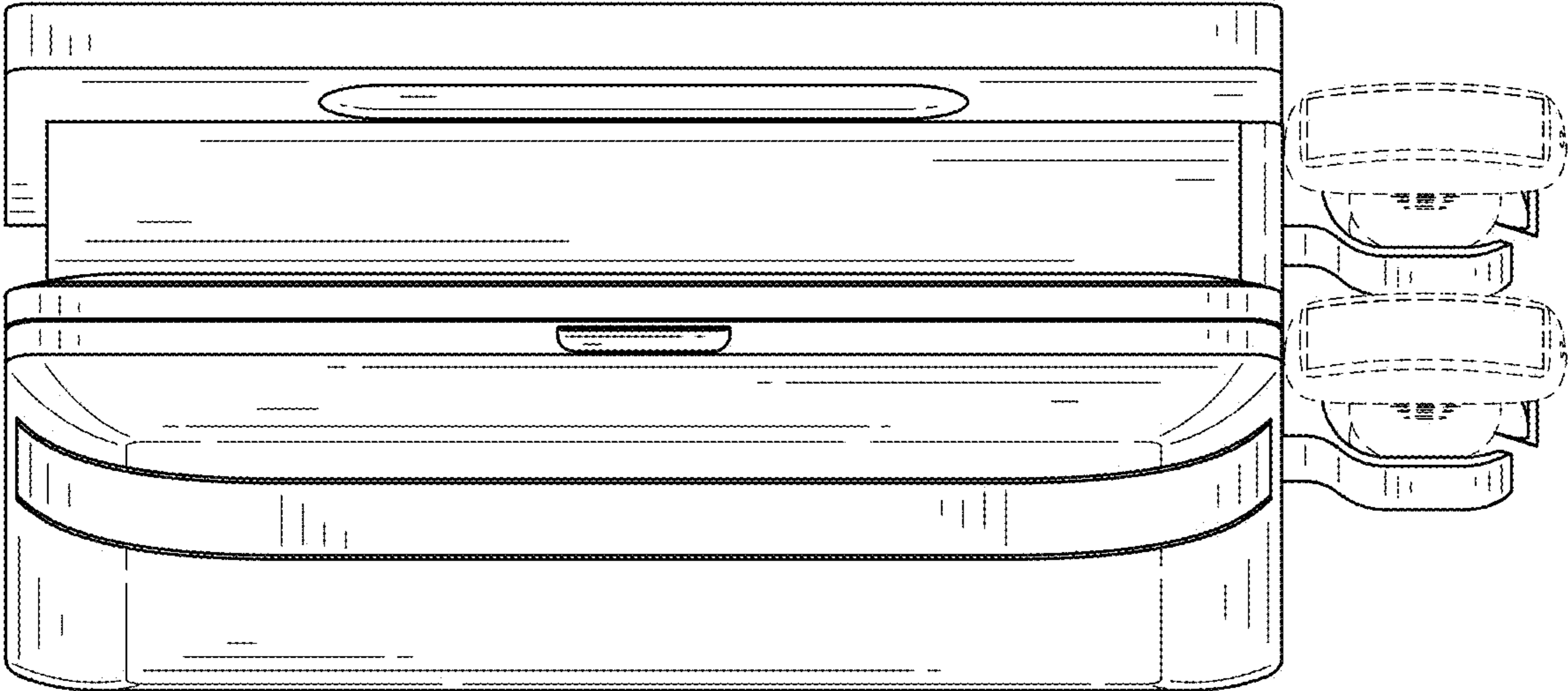


FIG. 7

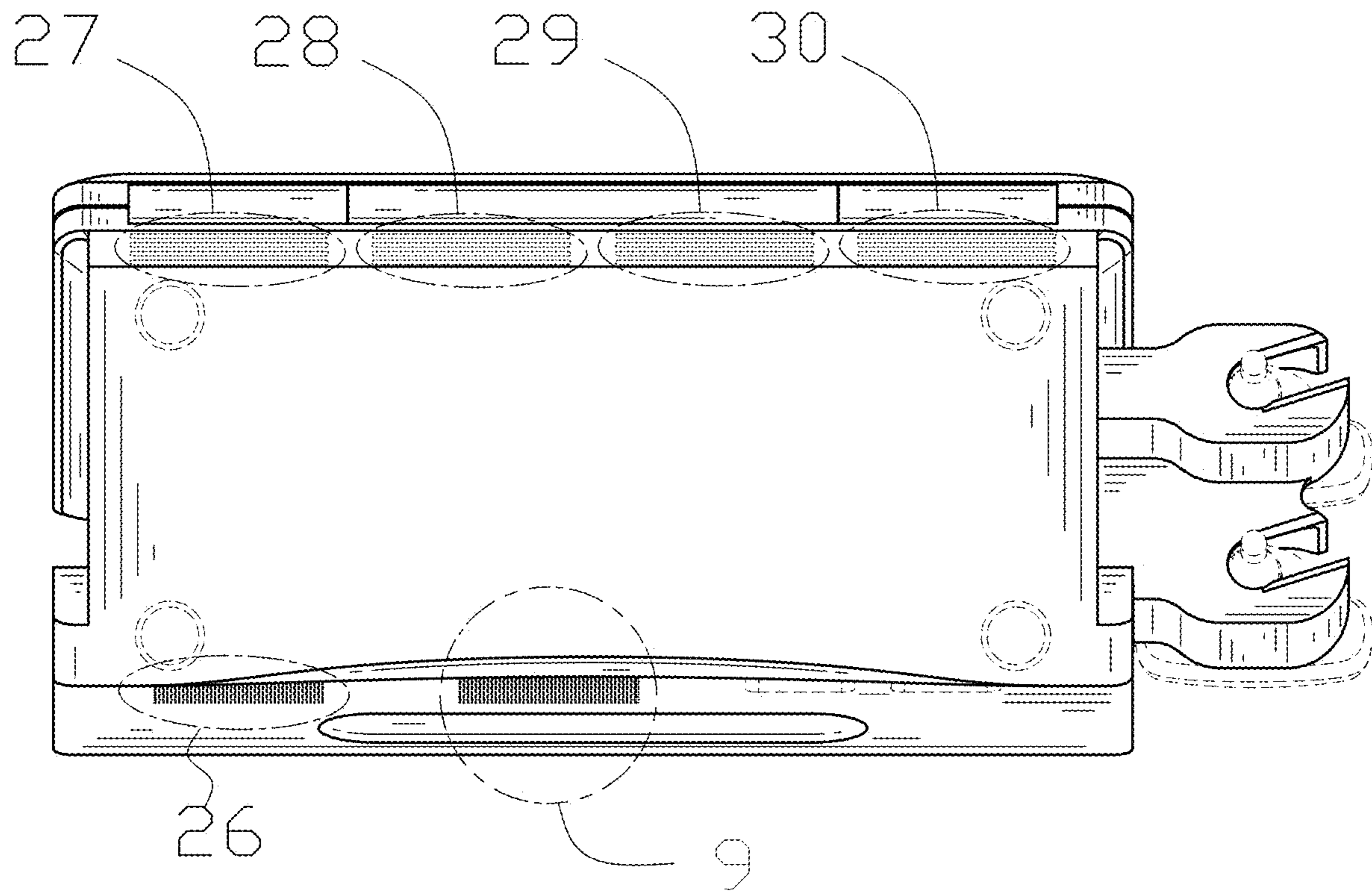


FIG. 8

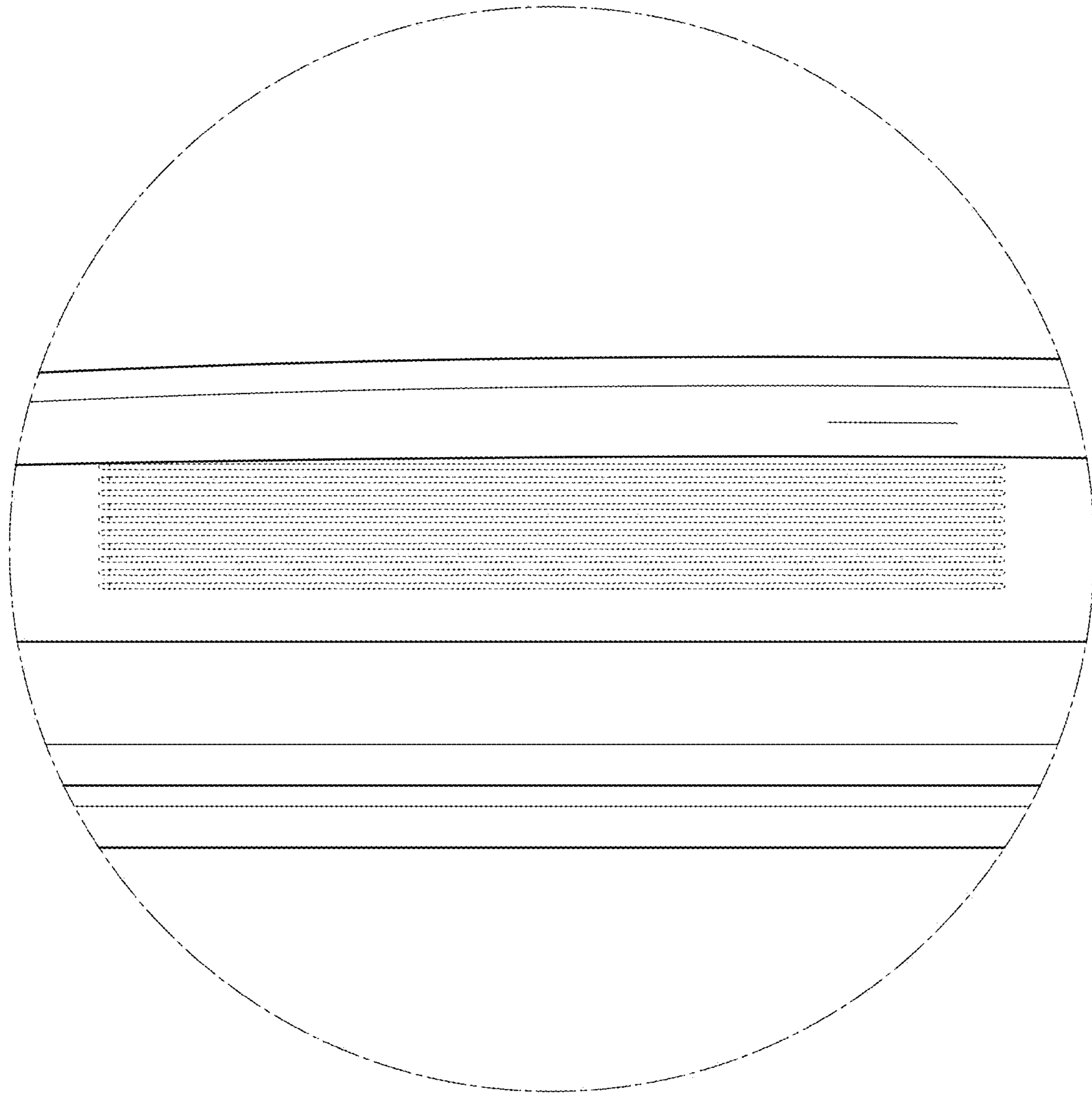


FIG. 9

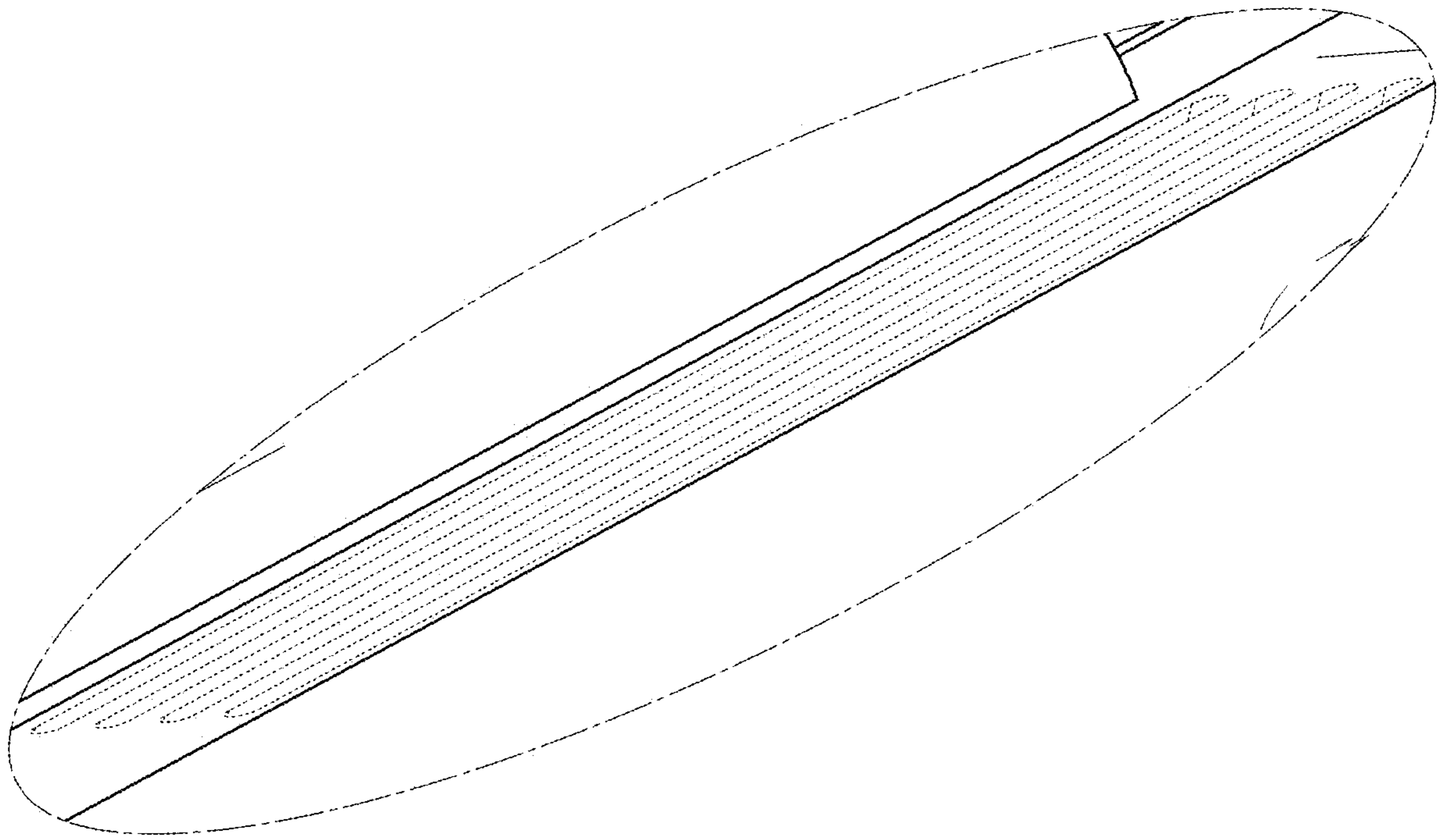


FIG. 10

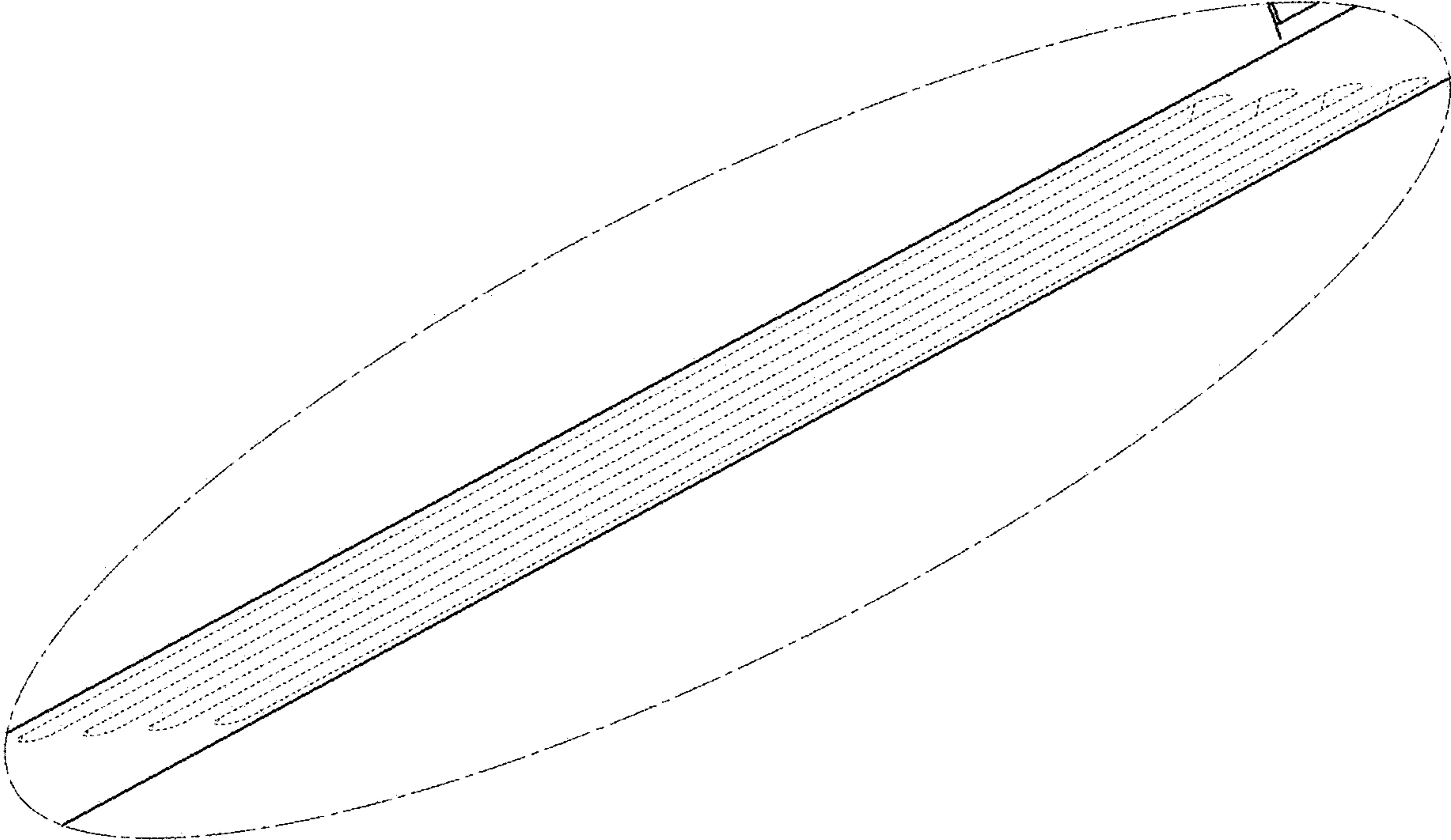


FIG. 11

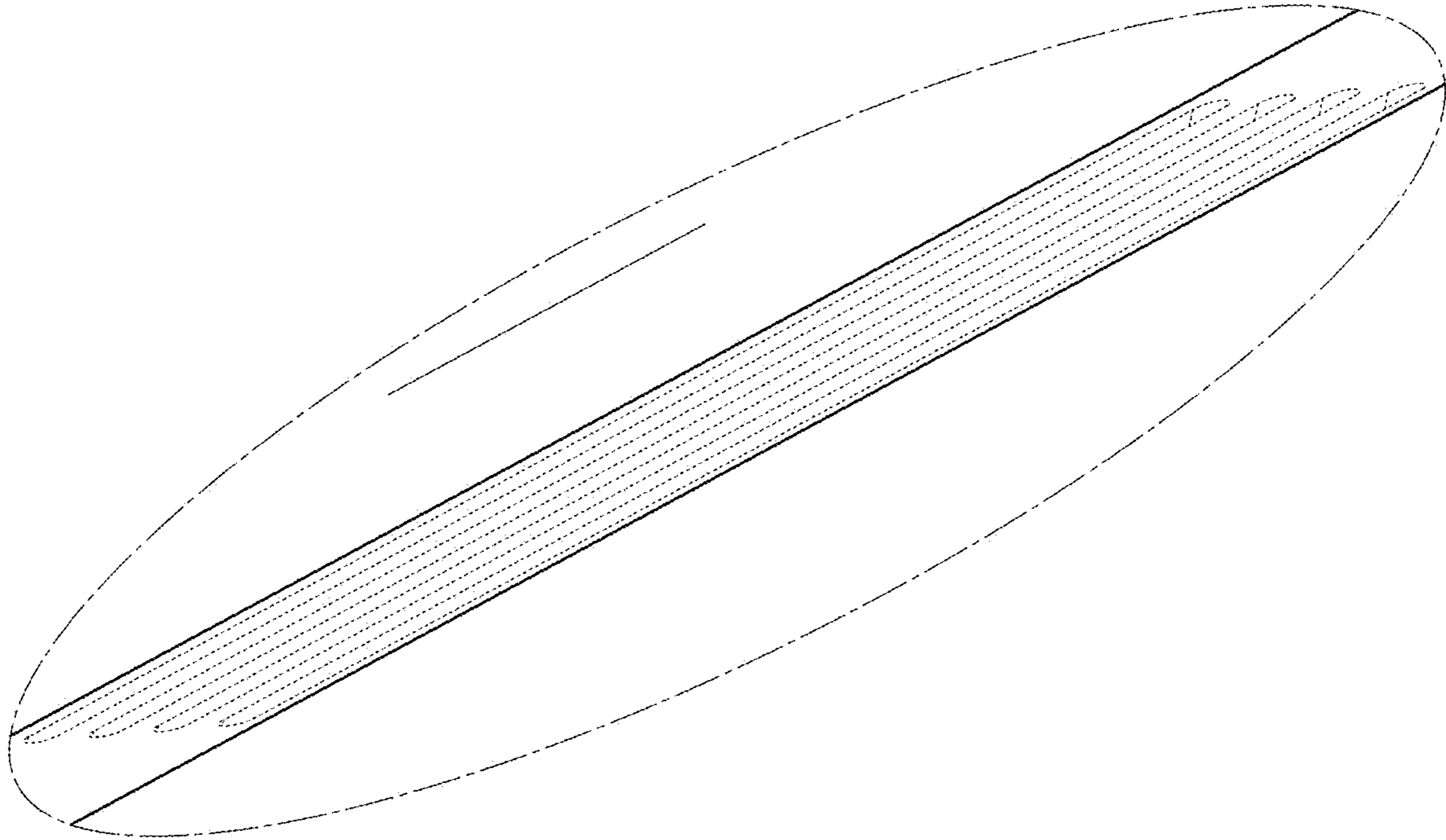


FIG. 12

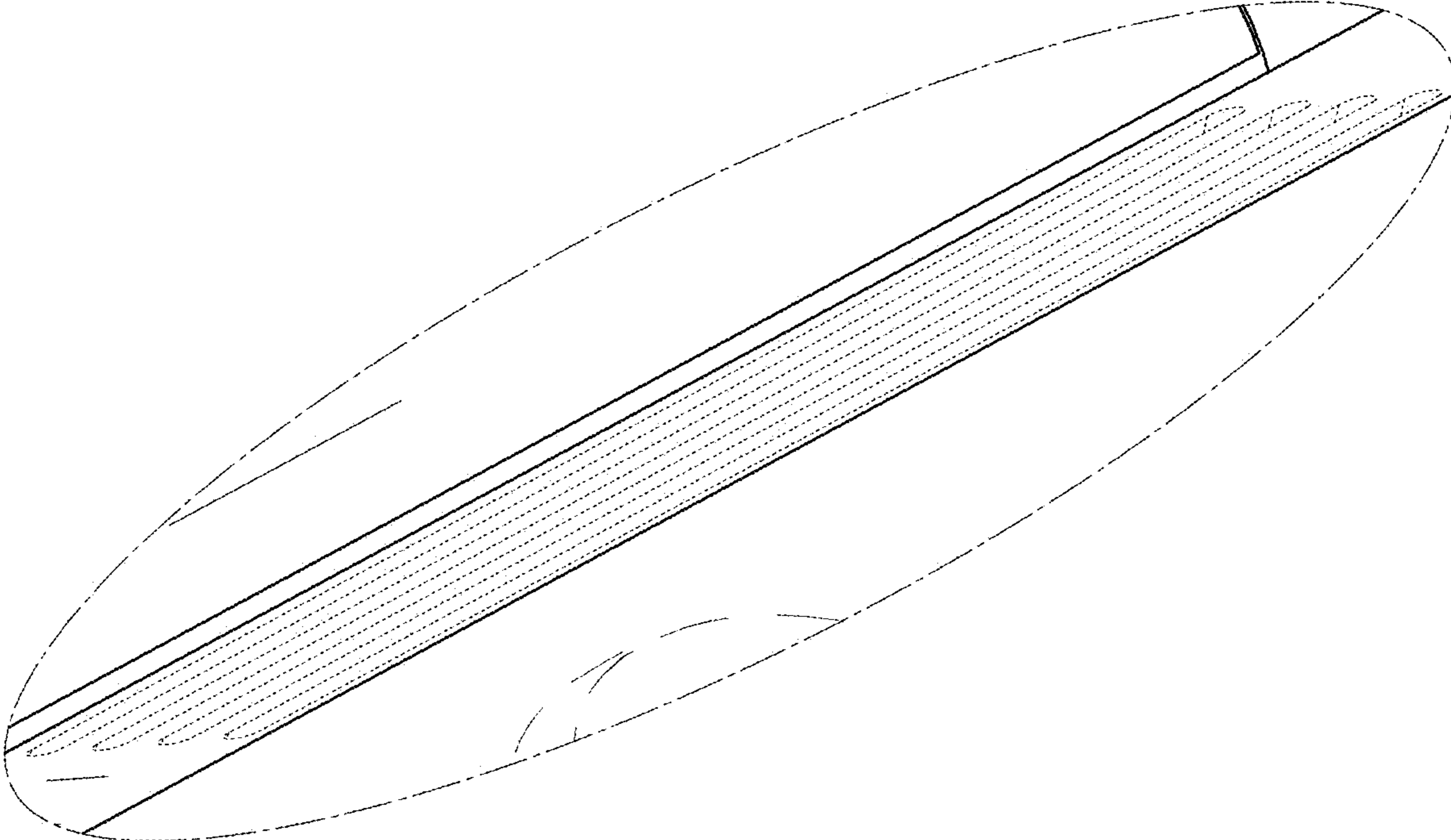


FIG. 13

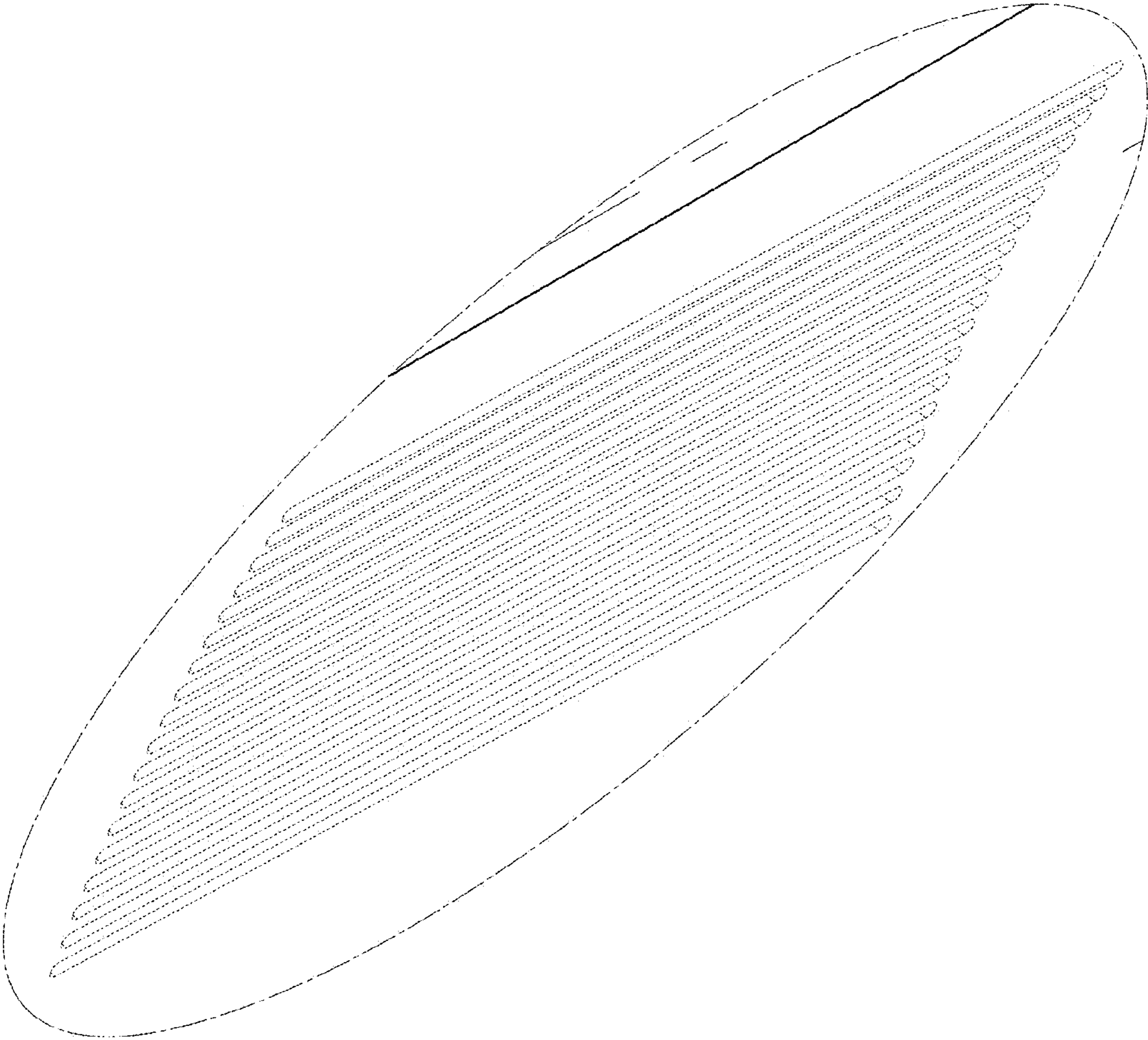


FIG. 14

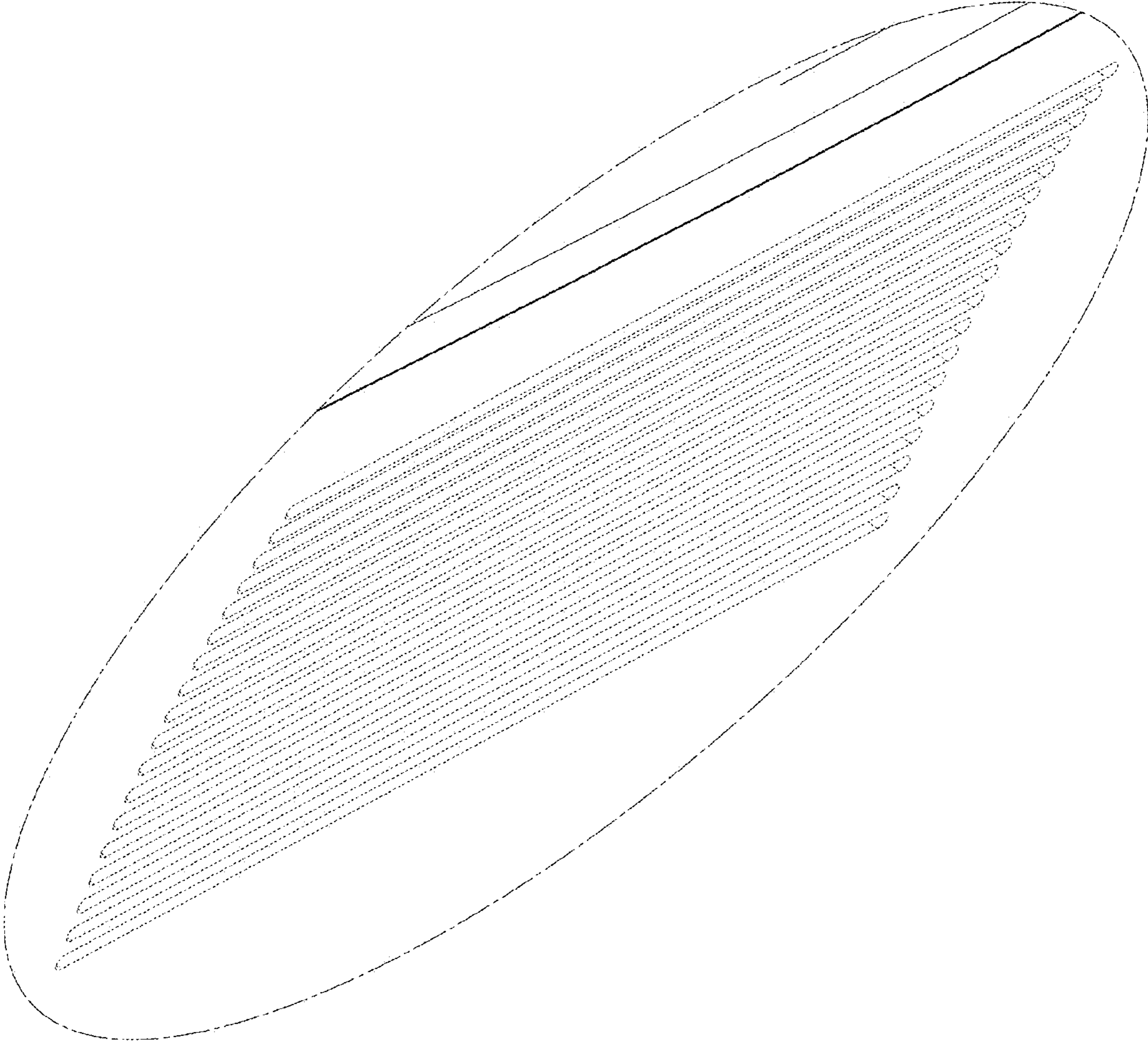


FIG. 15

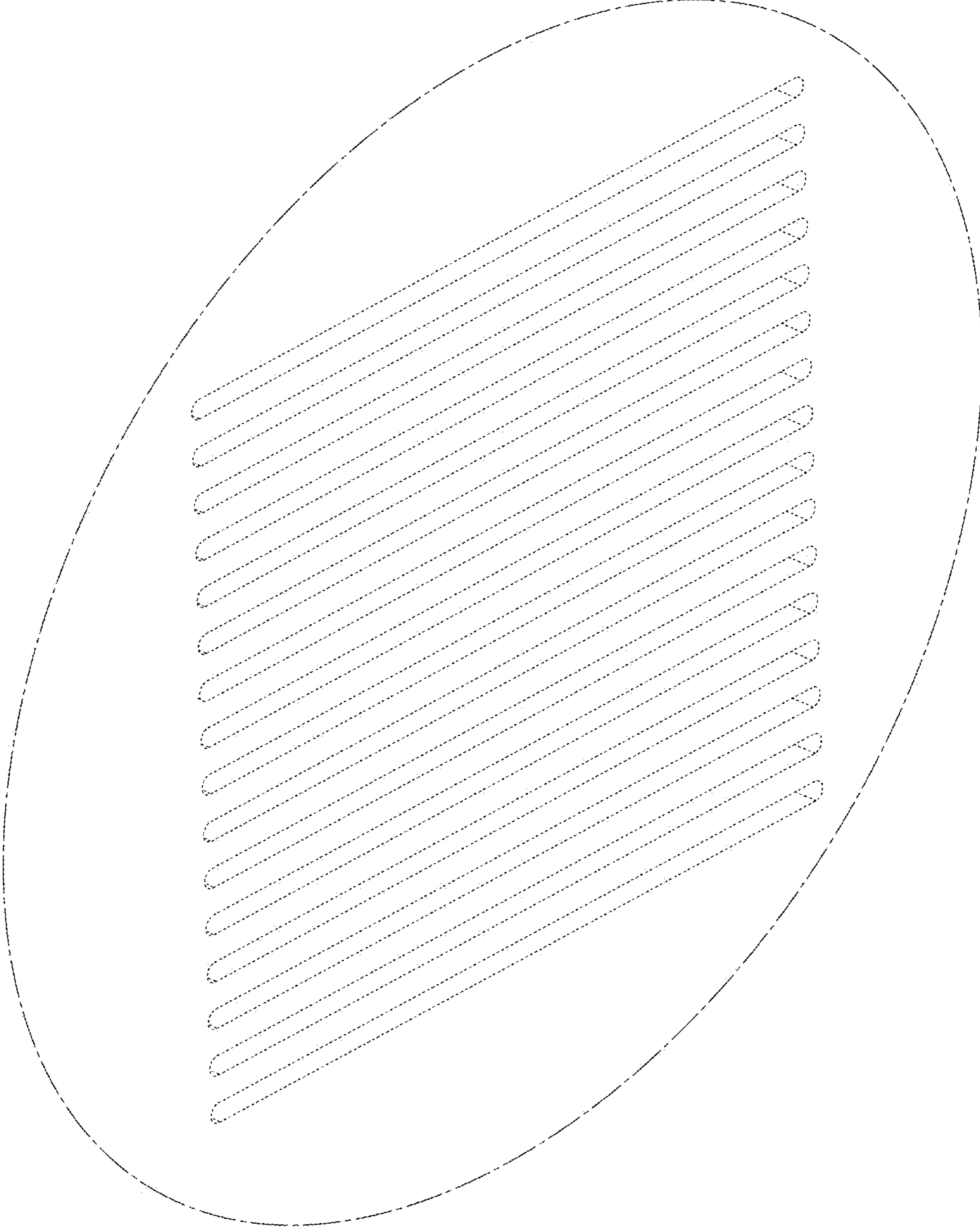


FIG. 16

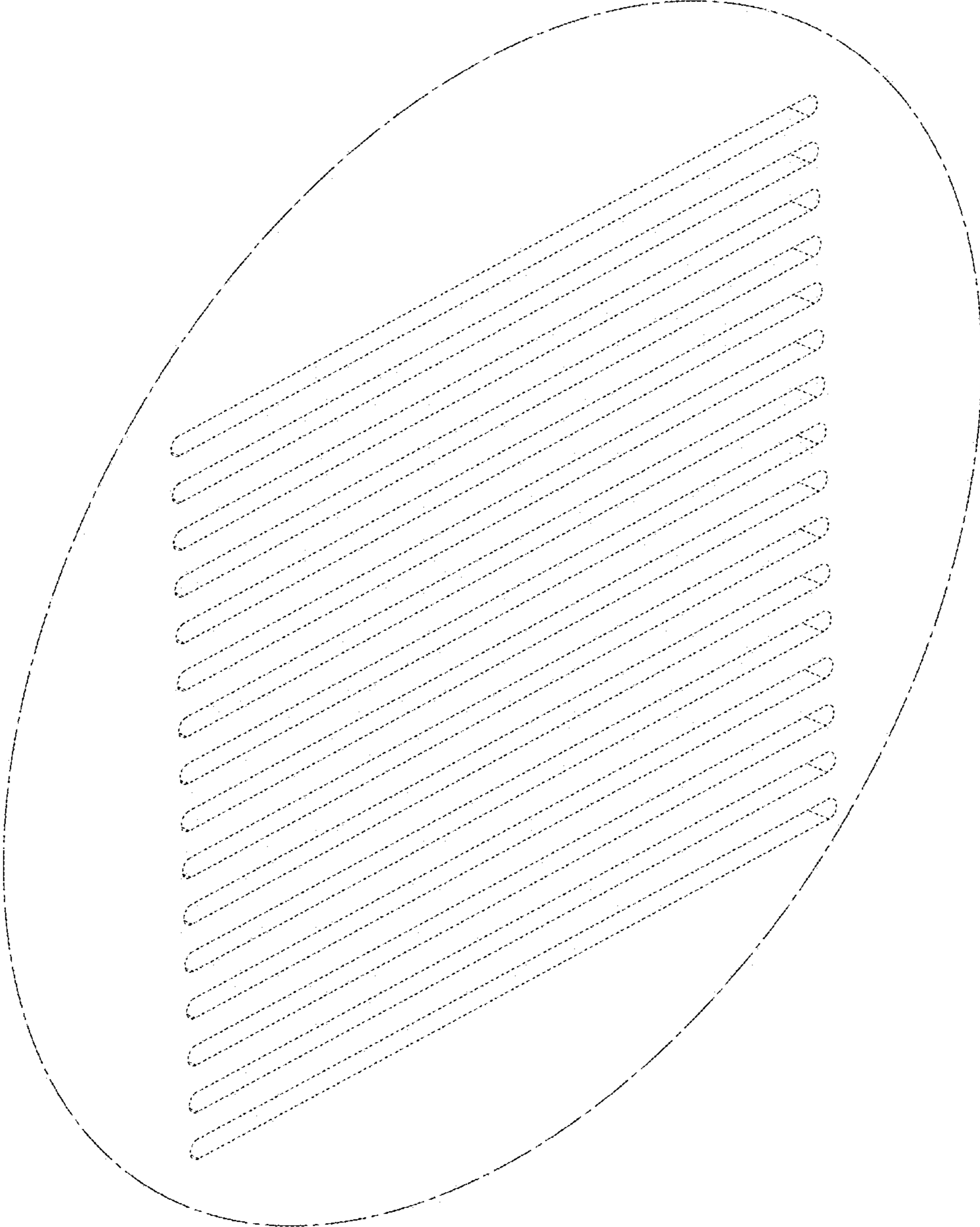


FIG. 17

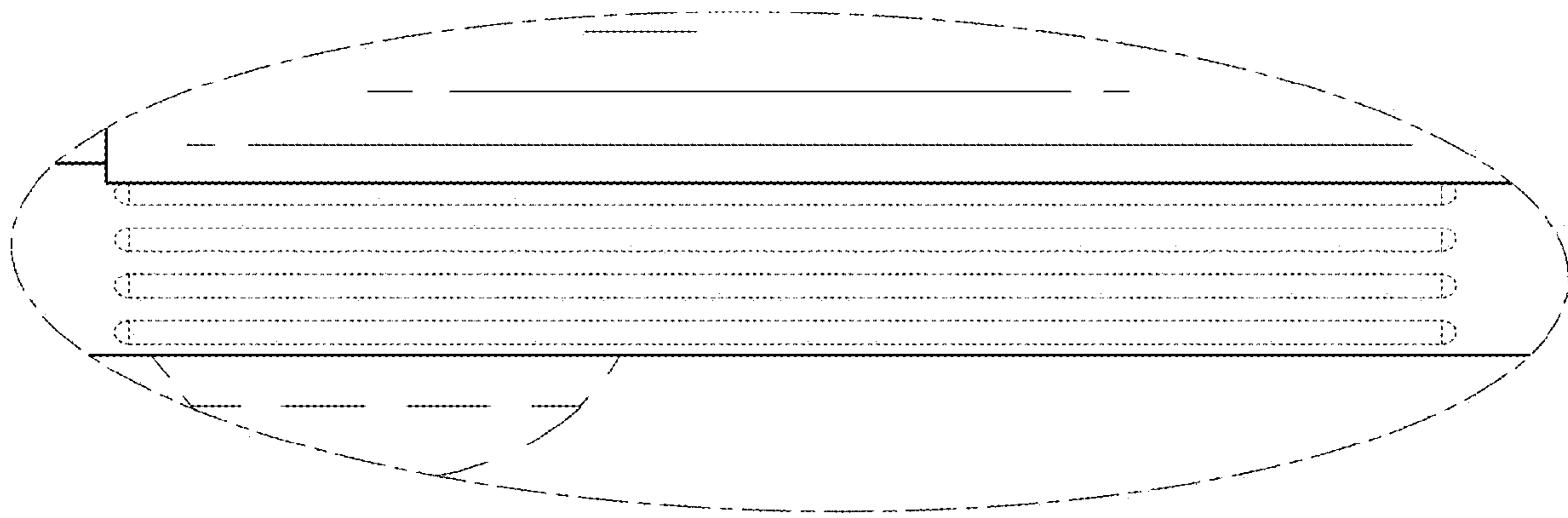


FIG. 18

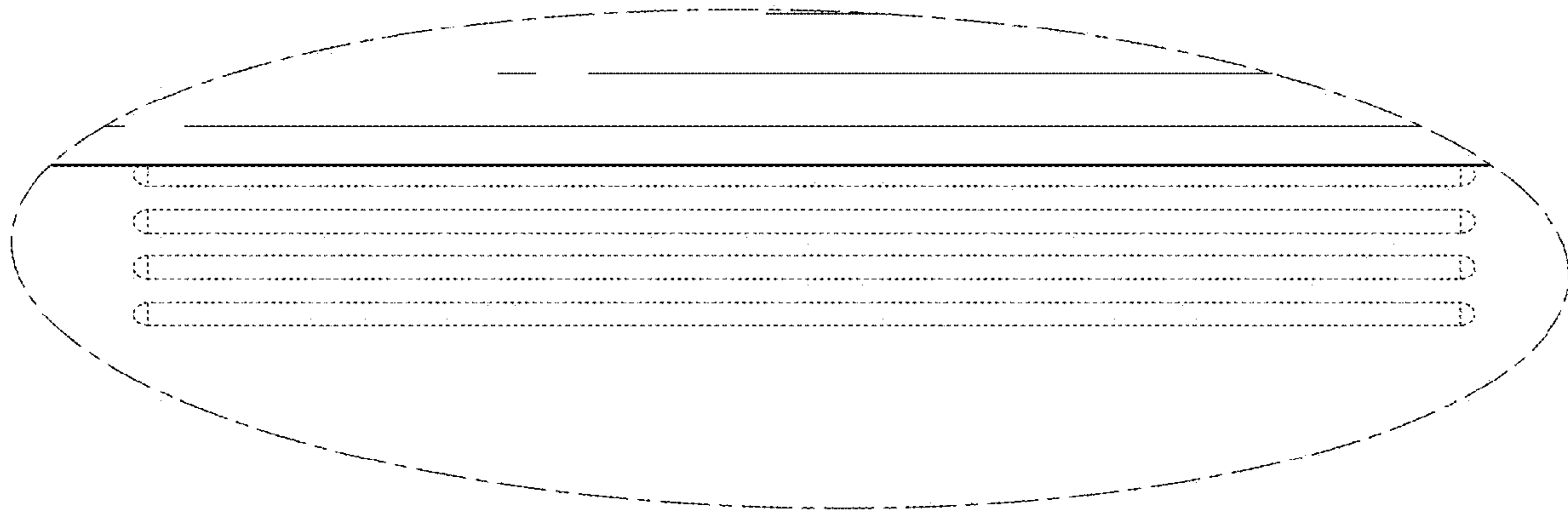


FIG. 19

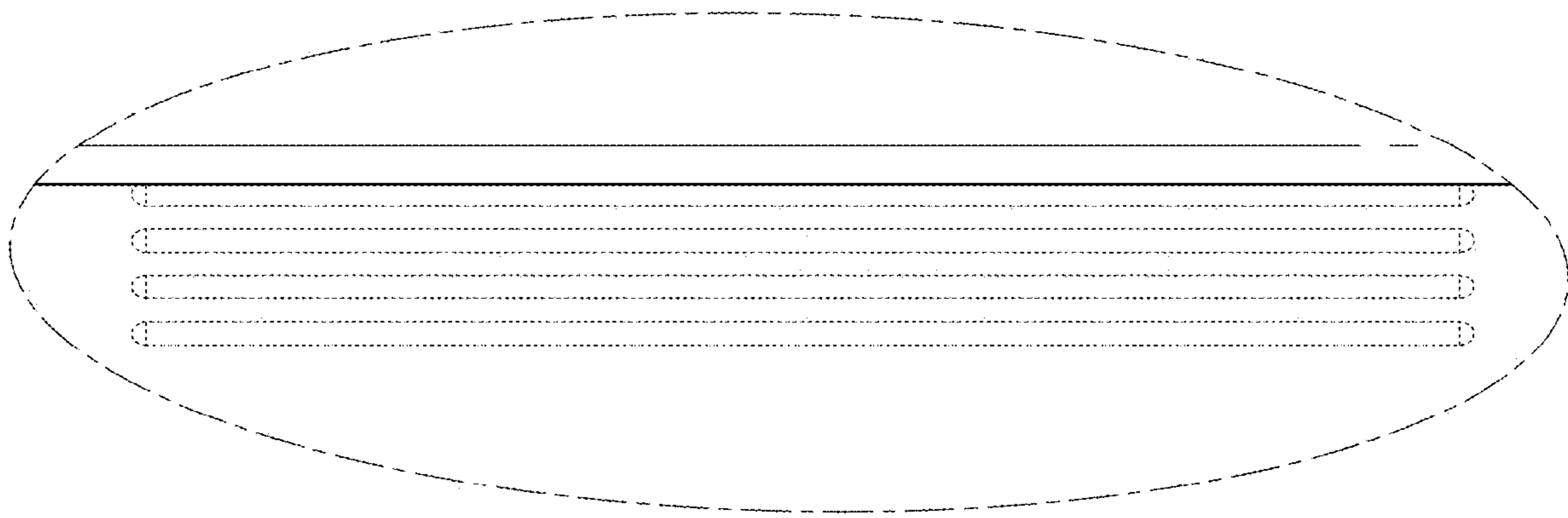


FIG. 20

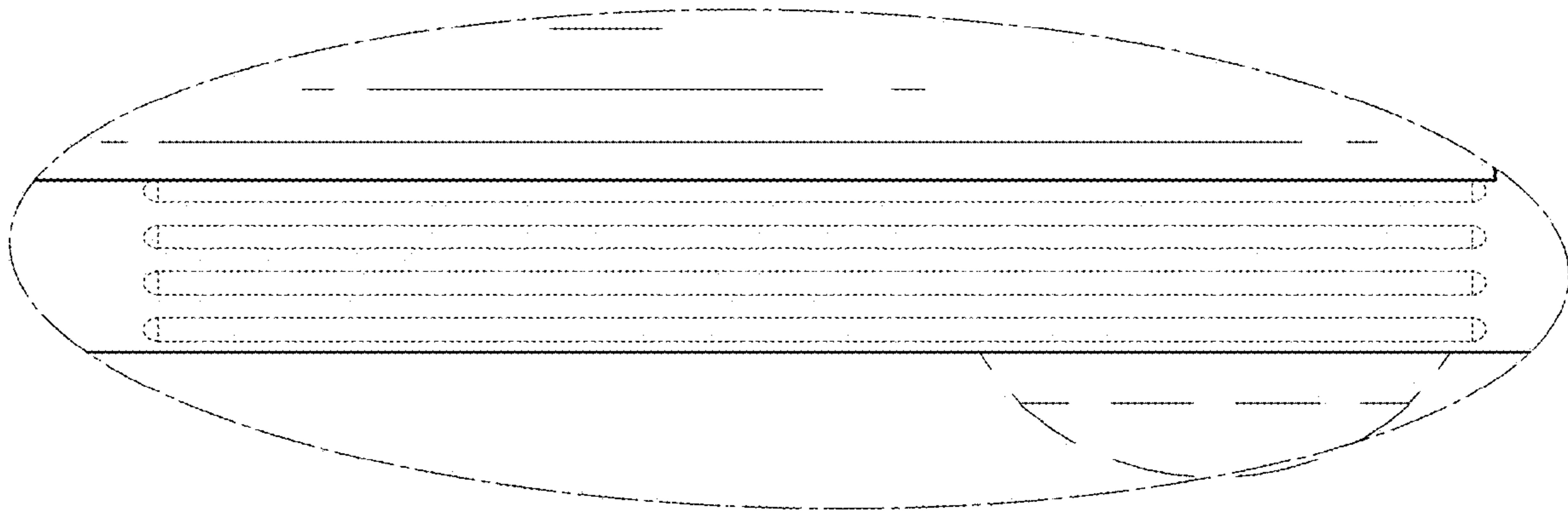


FIG. 21

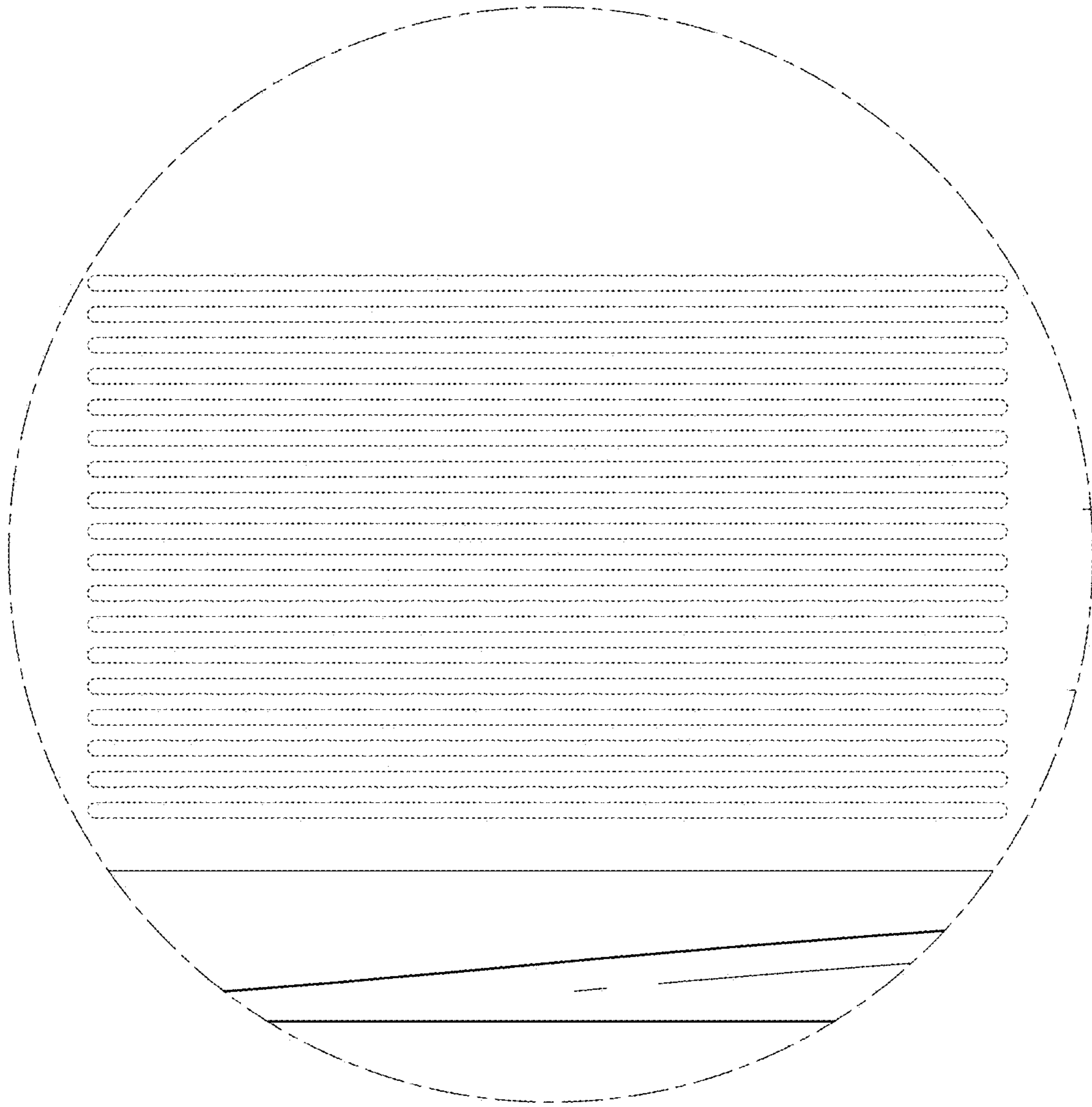


FIG. 22

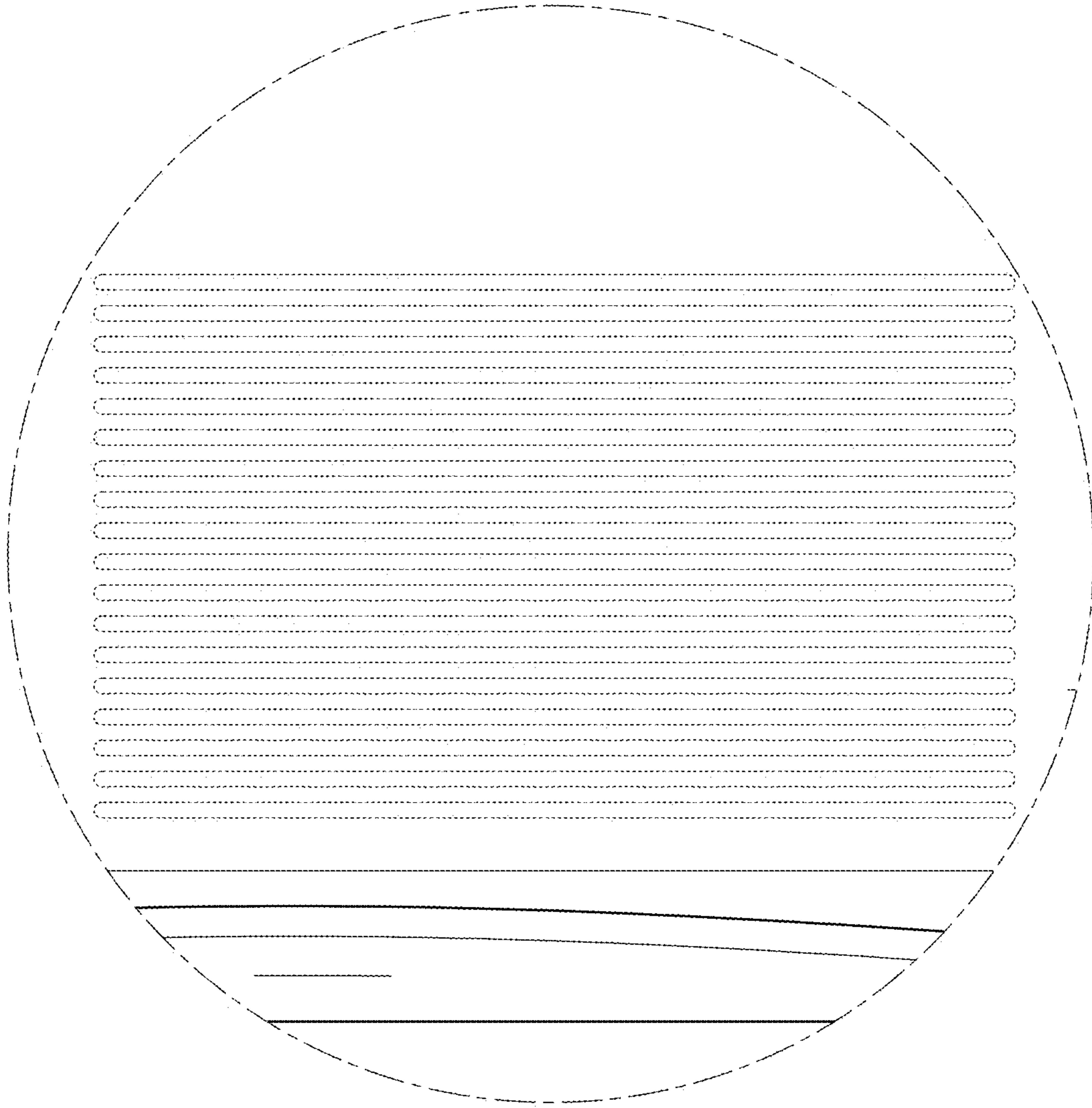


FIG. 23

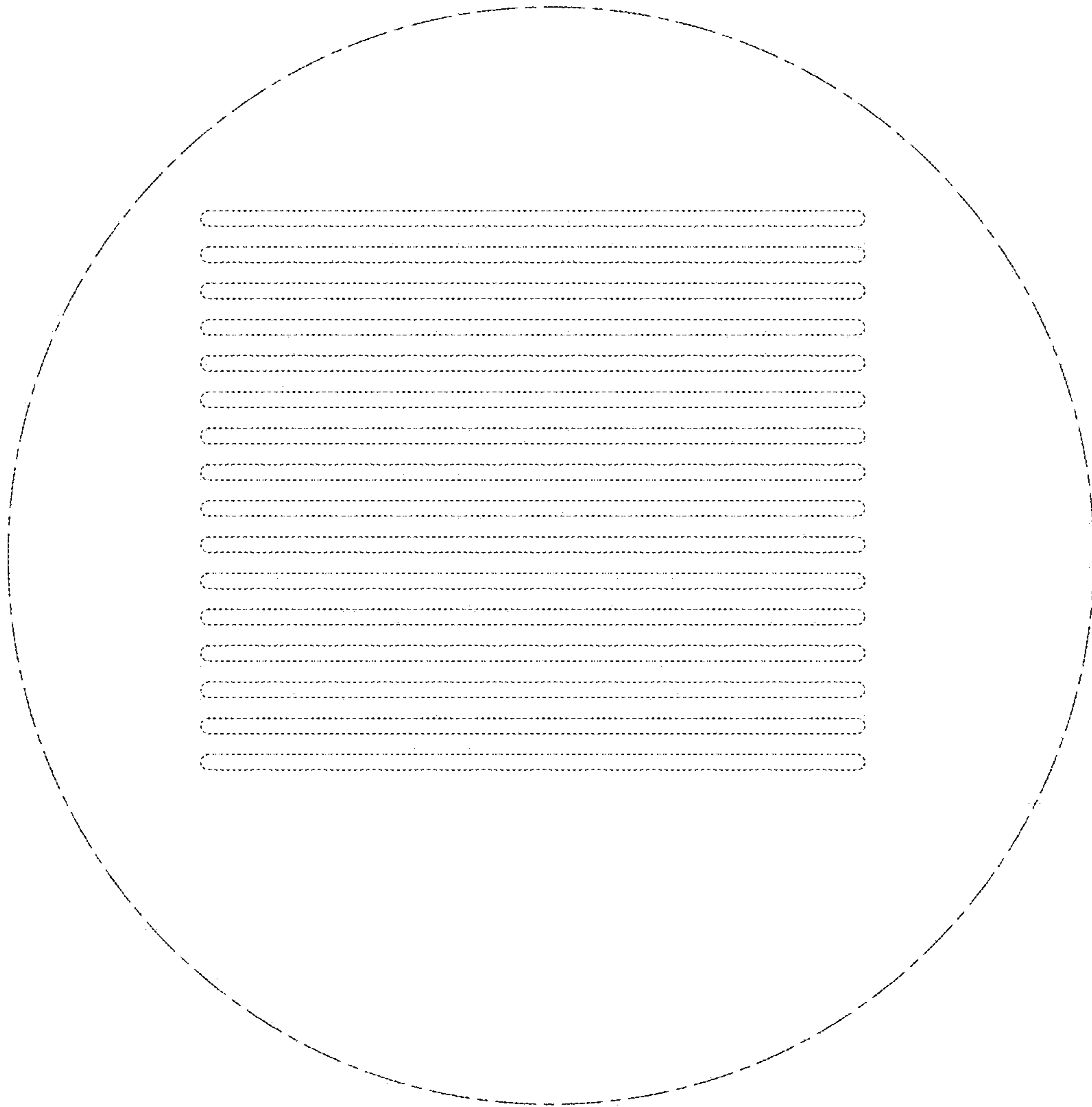


FIG. 24

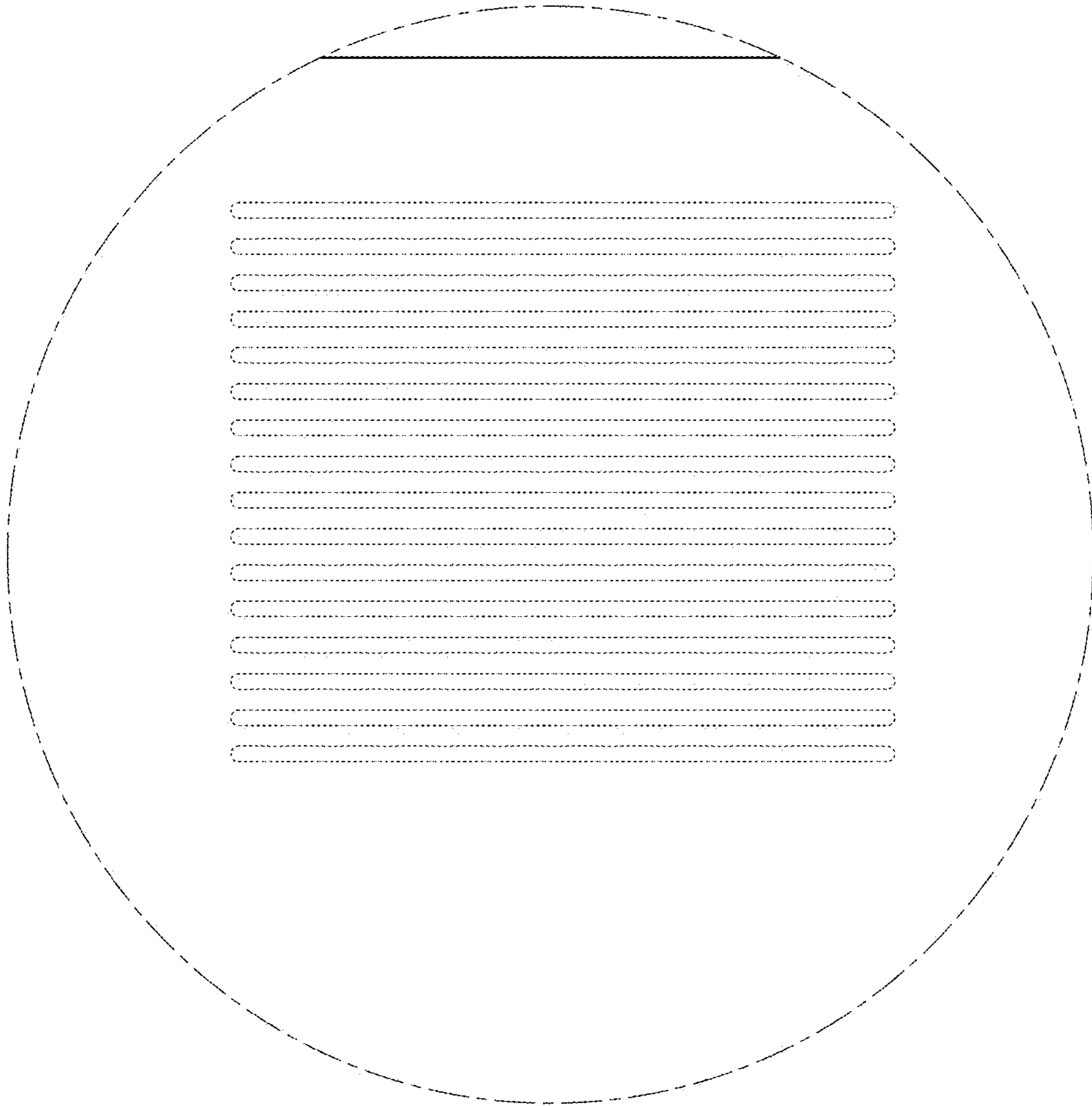


FIG. 25

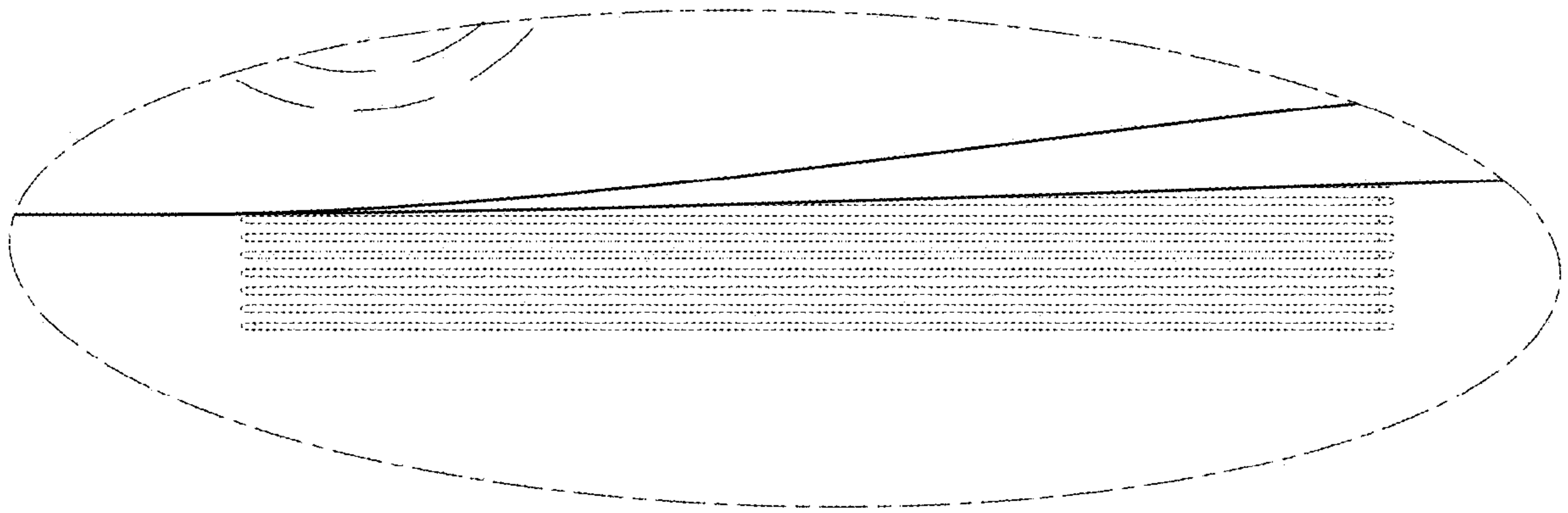


FIG. 26

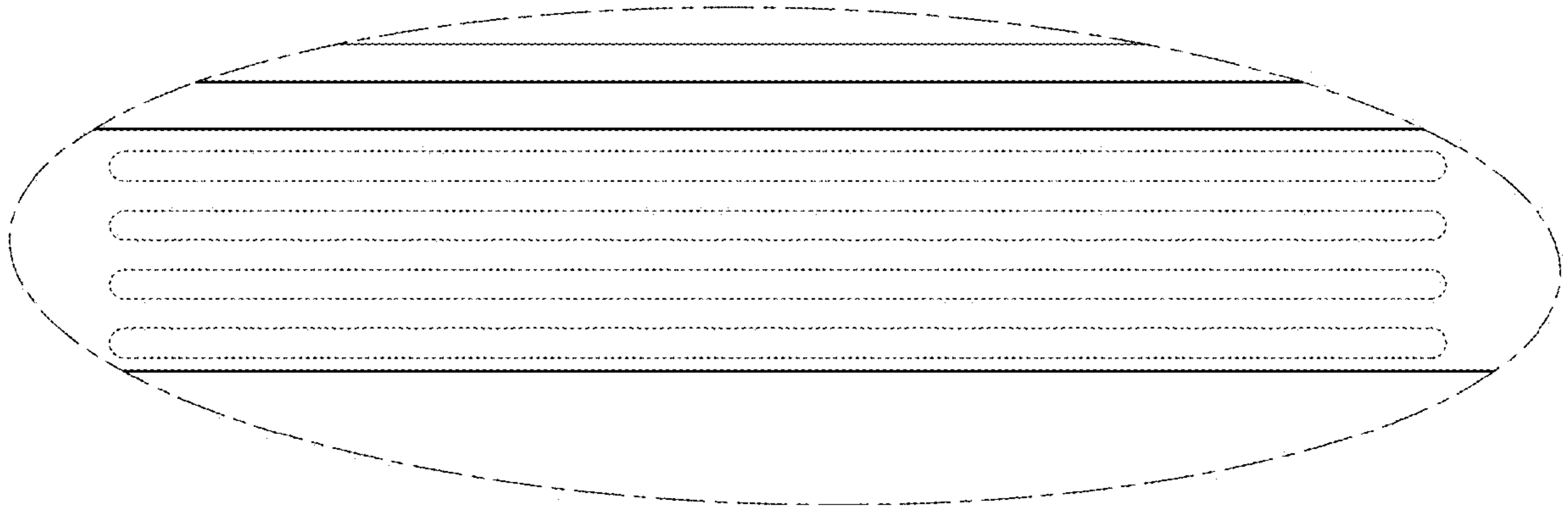


FIG. 27

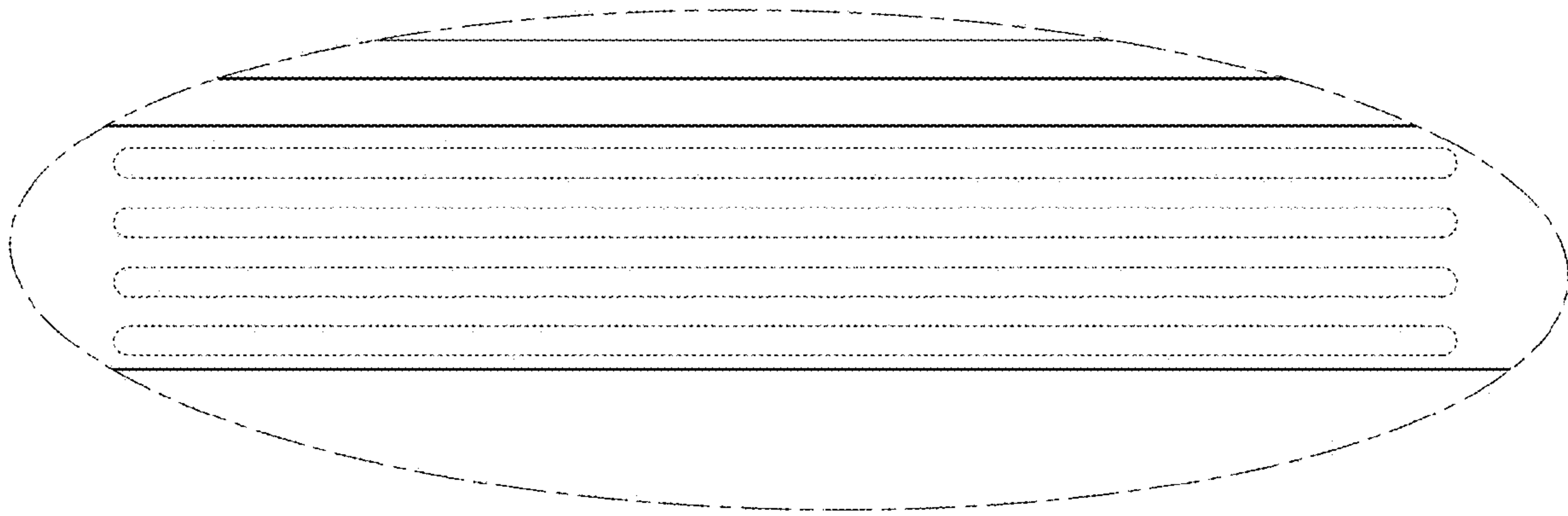


FIG. 28

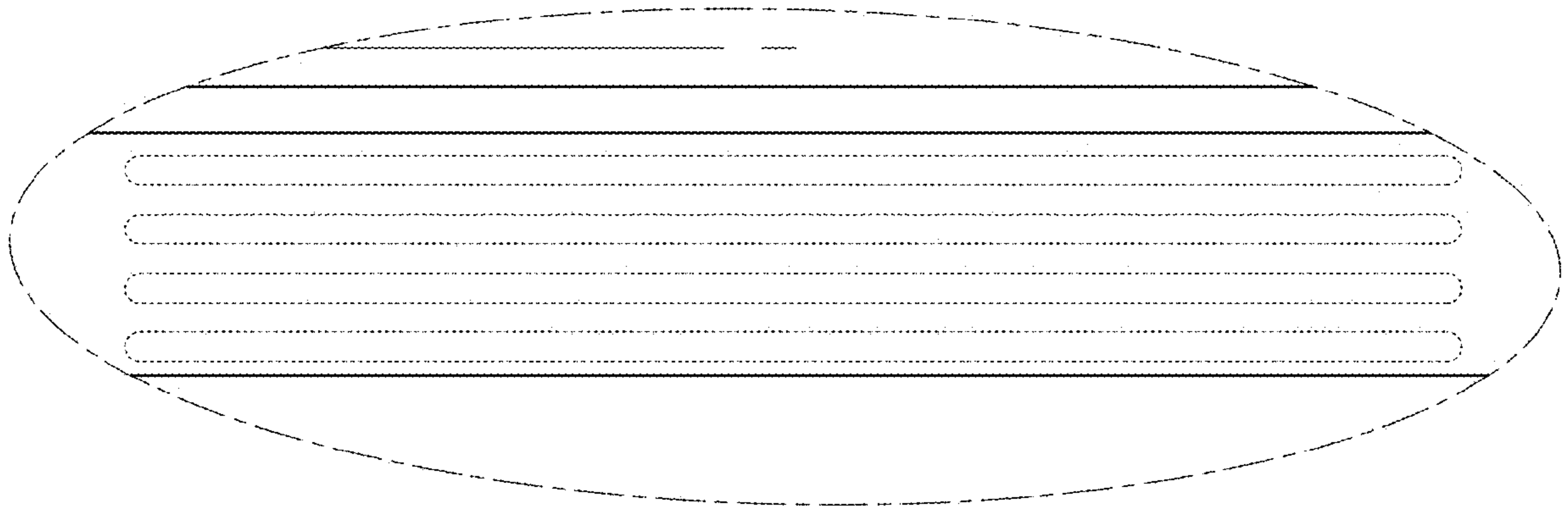


FIG. 29

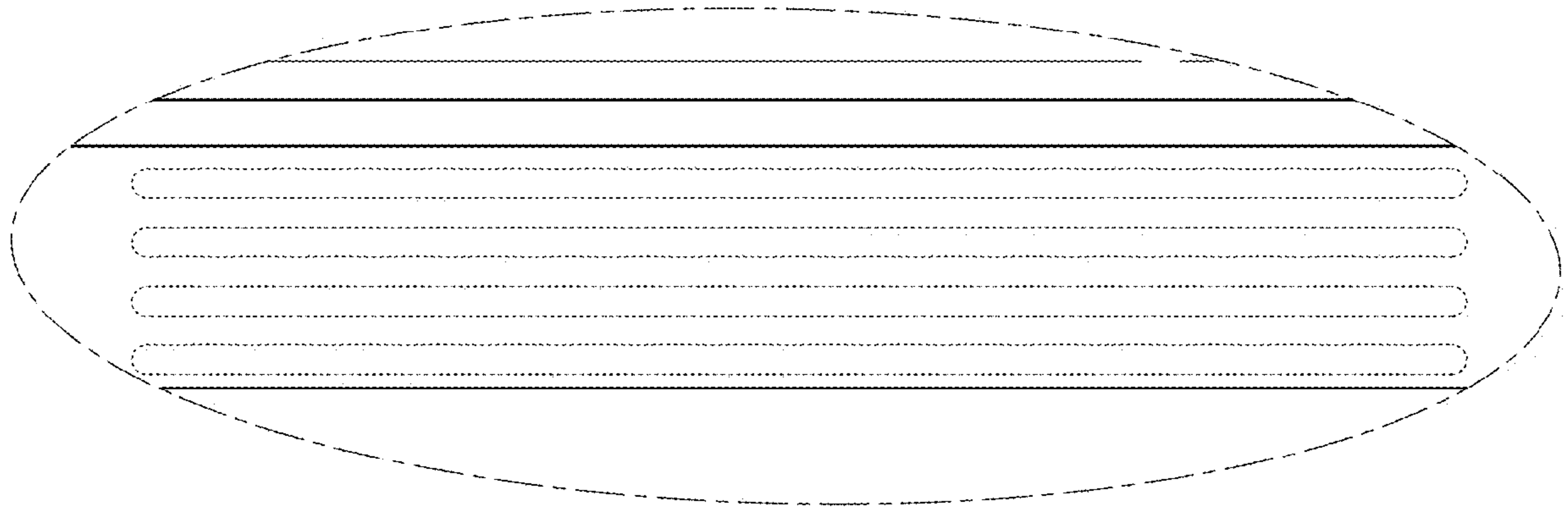


FIG. 30