



US00D872860S

(12) **United States Design Patent** (10) **Patent No.:** **US D872,860 S**
Funakoshi et al. (45) **Date of Patent:** **** Jan. 14, 2020**

(54) **ENDOSCOPE OPERATING UNIT**
(71) Applicant: **OLYMPUS CORPORATION**,
Hachioji-shi, Tokyo (JP)
(72) Inventors: **Yasuo Funakoshi**, Tokyo (JP); **Risako Asai**, Saitama (JP)
(73) Assignee: **OLYMPUS CORPORATION**, Tokyo (JP)
(**) Term: **15 Years**
(21) Appl. No.: **29/604,442**
(22) Filed: **May 17, 2017**

(30) **Foreign Application Priority Data**
Nov. 17, 2016 (JP) 2016-025033
(51) **LOC (12) Cl.** **24-02**
(52) **U.S. Cl.**
USPC **D24/138**
(58) **Field of Classification Search**
USPC ... D24/138, 137, 127, 113, 108, 133, 110.6;
D8/300, 338, 341, 82, 83
CPC A61B 1/00126
See application file for complete search history.

(56) **References Cited**
U.S. PATENT DOCUMENTS
D323,449 S * 1/1992 Corona D8/83
D482,949 S * 12/2003 Molenaar D8/107
D536,093 S * 1/2007 Nakajima D24/138
D694,608 S * 12/2013 Nelson D8/83
D717,432 S * 11/2014 Leroy D24/138

D734,115 S * 7/2015 Robinson D8/83
D737,966 S * 9/2015 Meguro D24/138
D788,201 S * 5/2017 Pilz D10/46
D788,831 S * 6/2017 Pilz D10/46
D800,529 S * 10/2017 Leibowitz D8/83
D811,190 S * 2/2018 Ou D8/83
D841,159 S * 2/2019 Tanaka D24/138
2018/0168436 A1 * 6/2018 Hoshino A61B 1/0052

* cited by examiner
Primary Examiner — Eliza Z Bennett-Hattan
(74) *Attorney, Agent, or Firm* — Oliff PLC

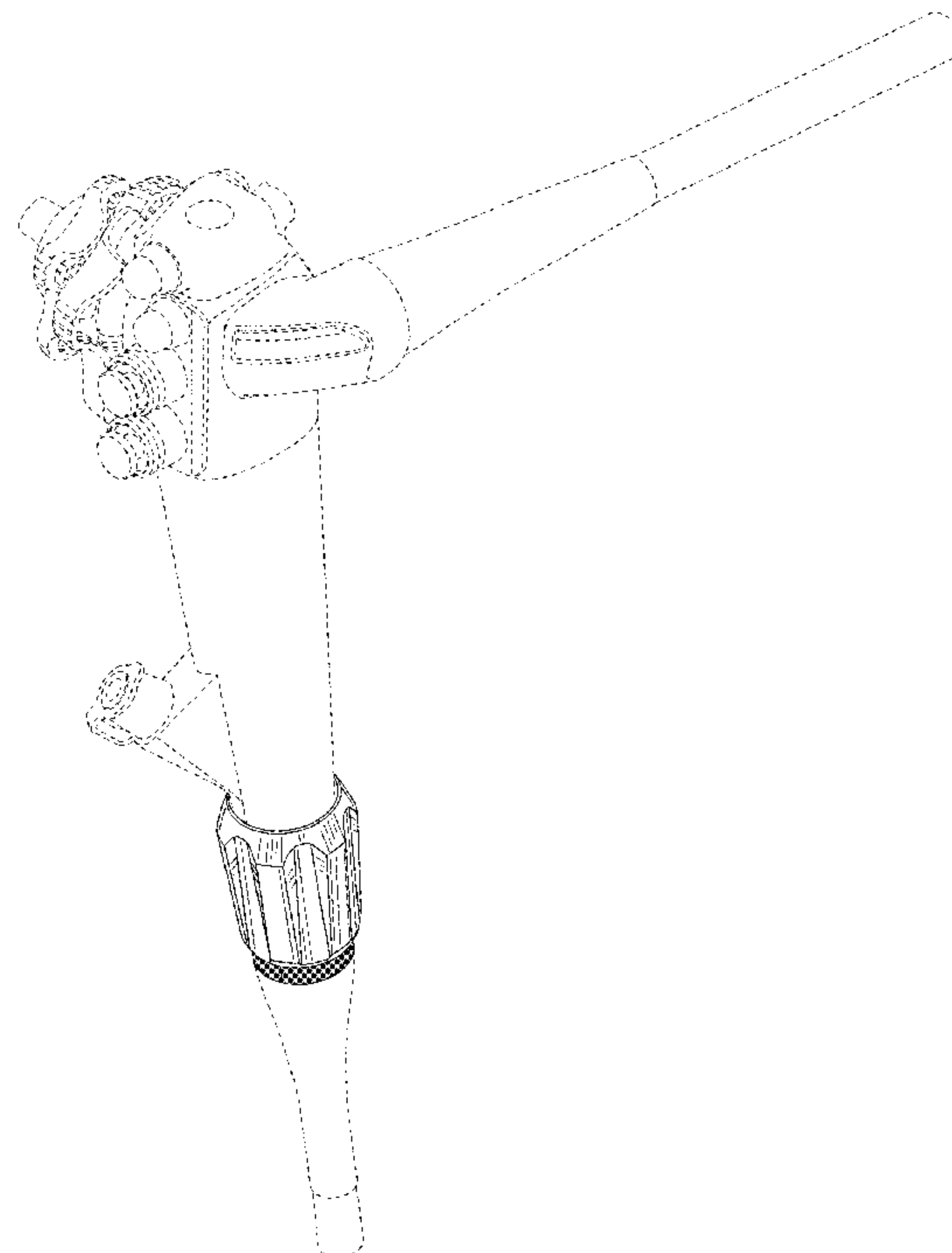
(57) **CLAIM**

The ornamental design for an endoscope operating unit, as shown and described.

DESCRIPTION

FIG. 1 is a front, top and left side perspective view of an endoscope operating unit, showing our new design;
FIG. 2 is a rear, bottom and left side perspective view thereof;
FIG. 3 is a front view thereof;
FIG. 4 is a rear view thereof;
FIG. 5 is a top view thereof;
FIG. 6 is a bottom view thereof;
FIG. 7 is a left side view thereof;
FIG. 8 is a right side view thereof; and,
FIG. 9 is an enlarged cross sectional view thereof, taken along the line 9-9 in FIG. 3.
The broken lines showing the remainder thereof are for environmental purposes only and form no part of the claimed design.

1 Claim, 7 Drawing Sheets



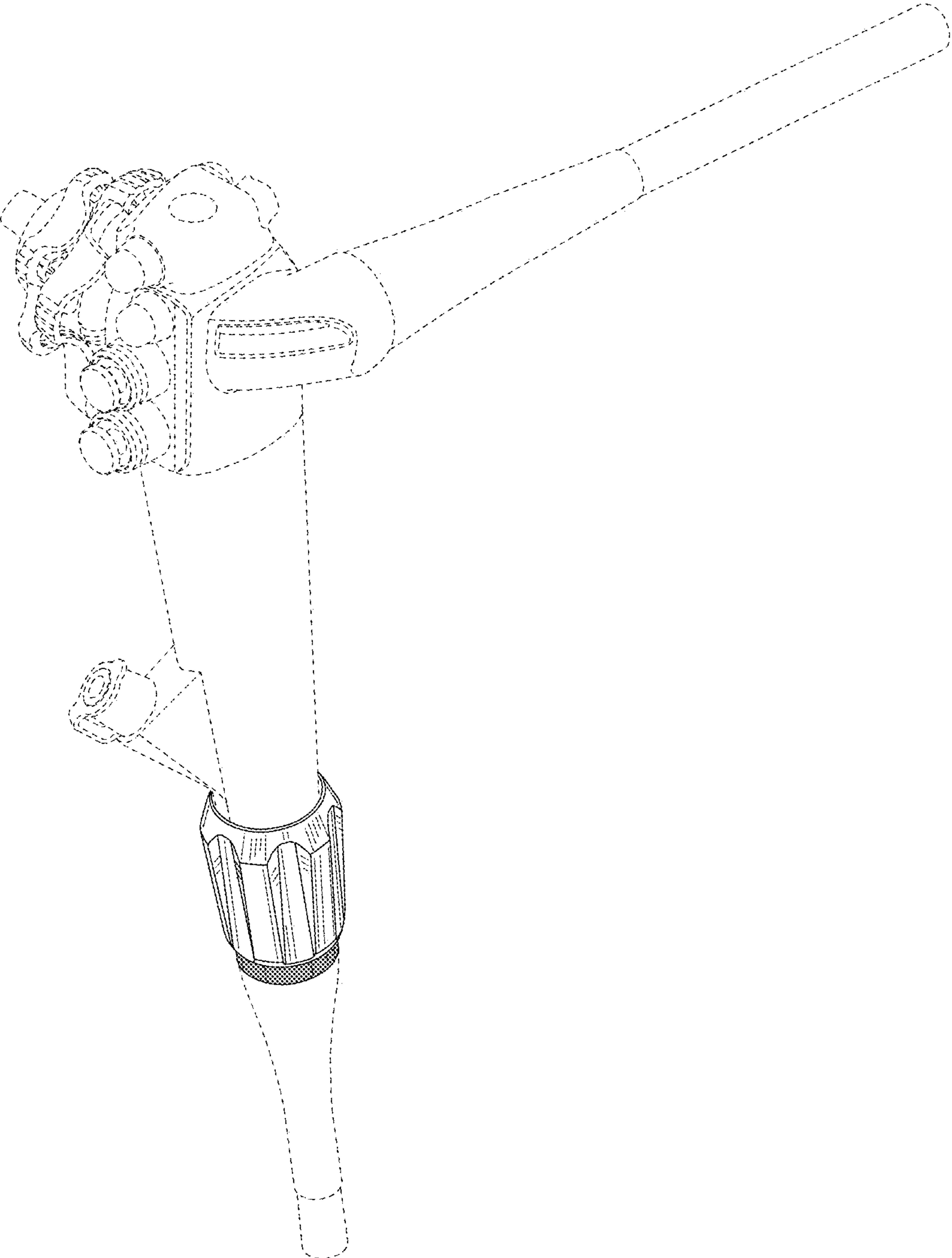


Fig. 1

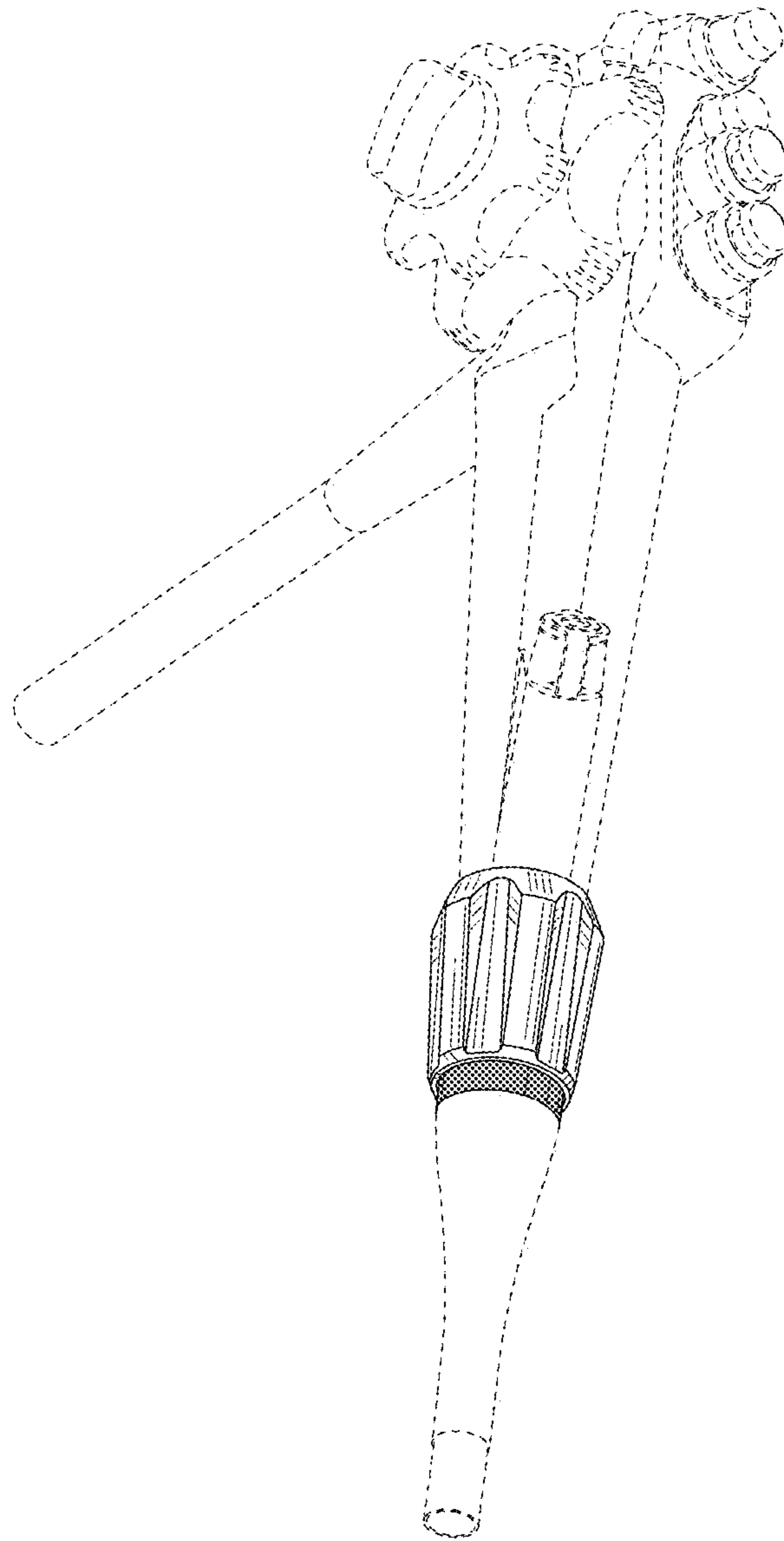


Fig. 2

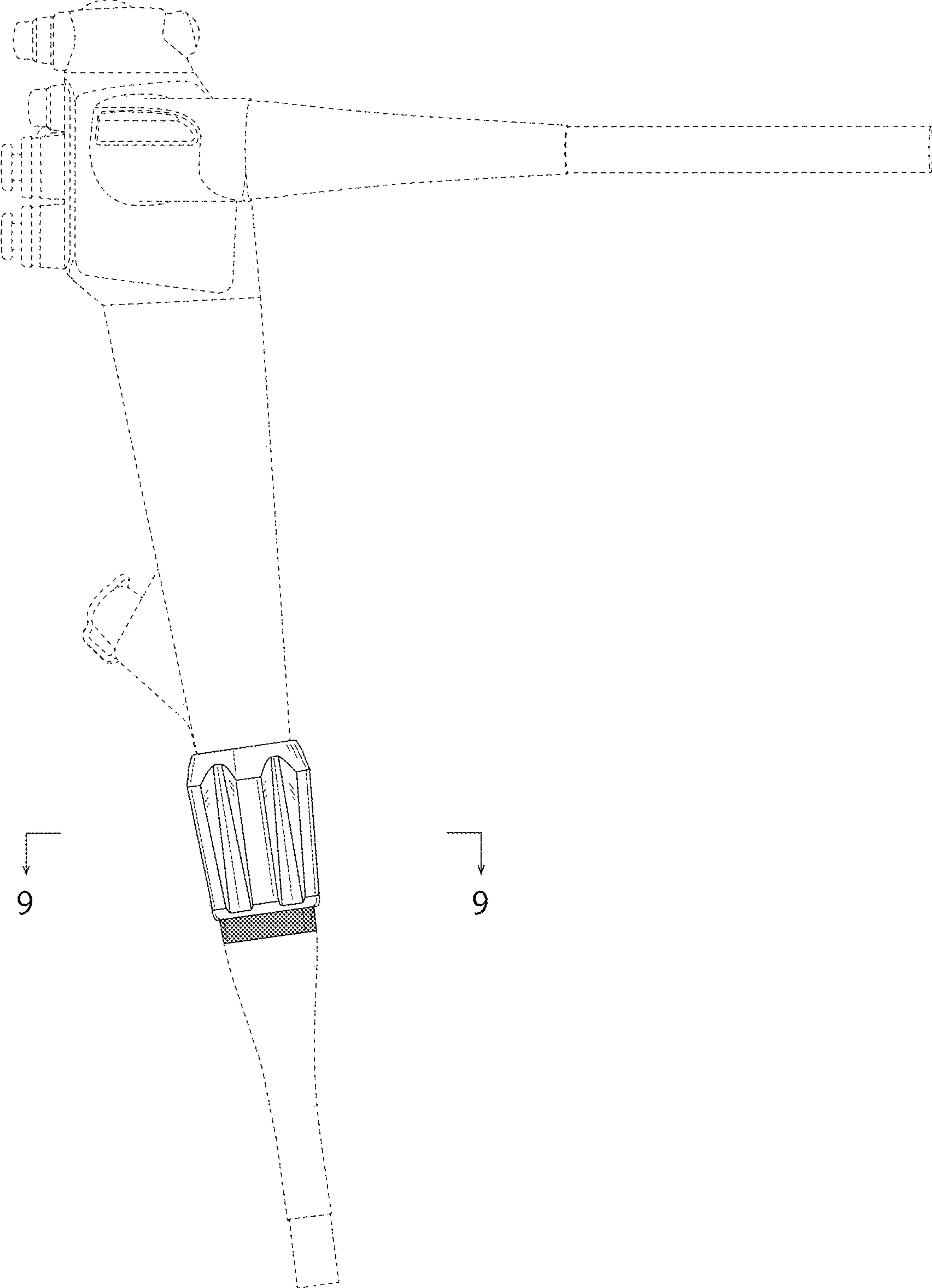


Fig. 3

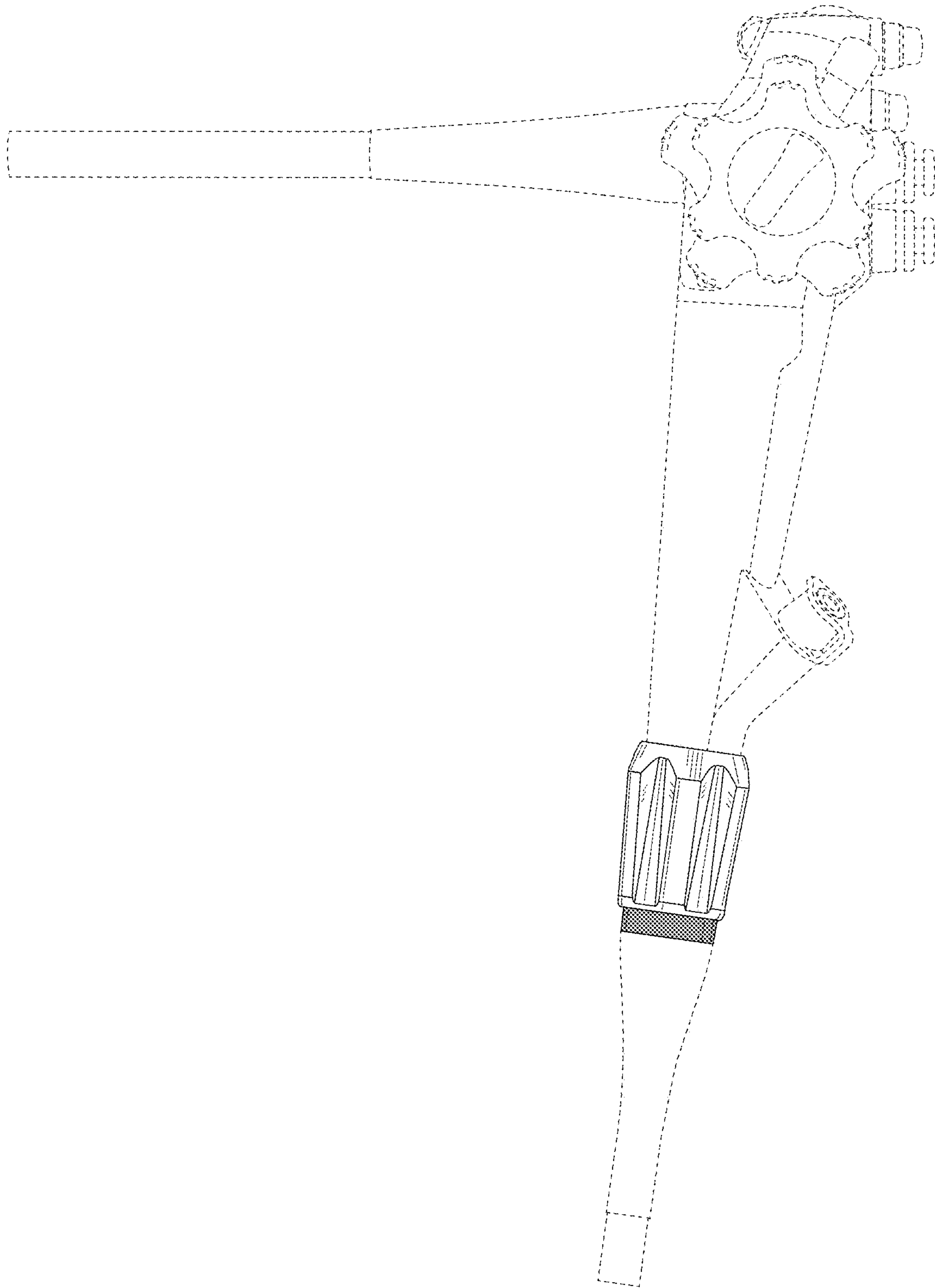


Fig. 4

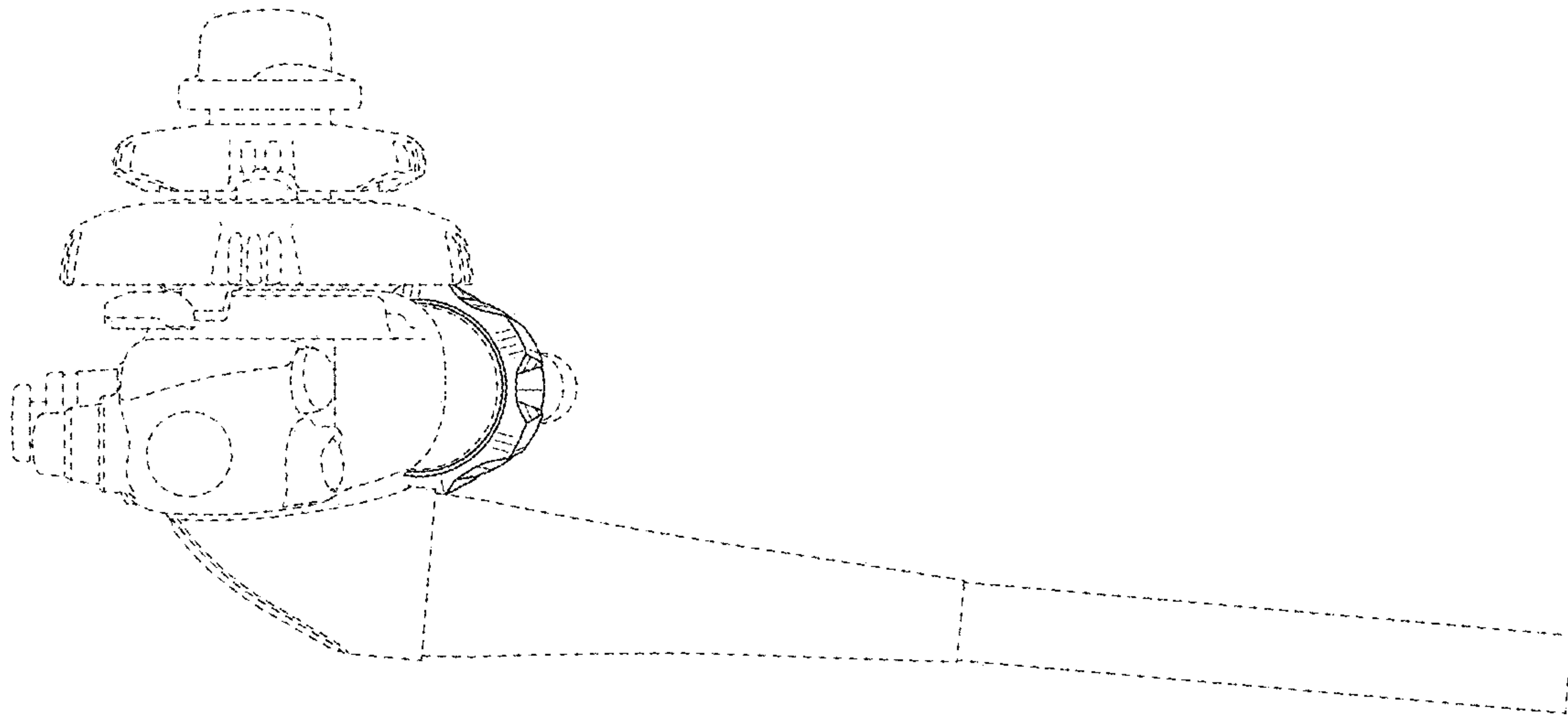


Fig. 5

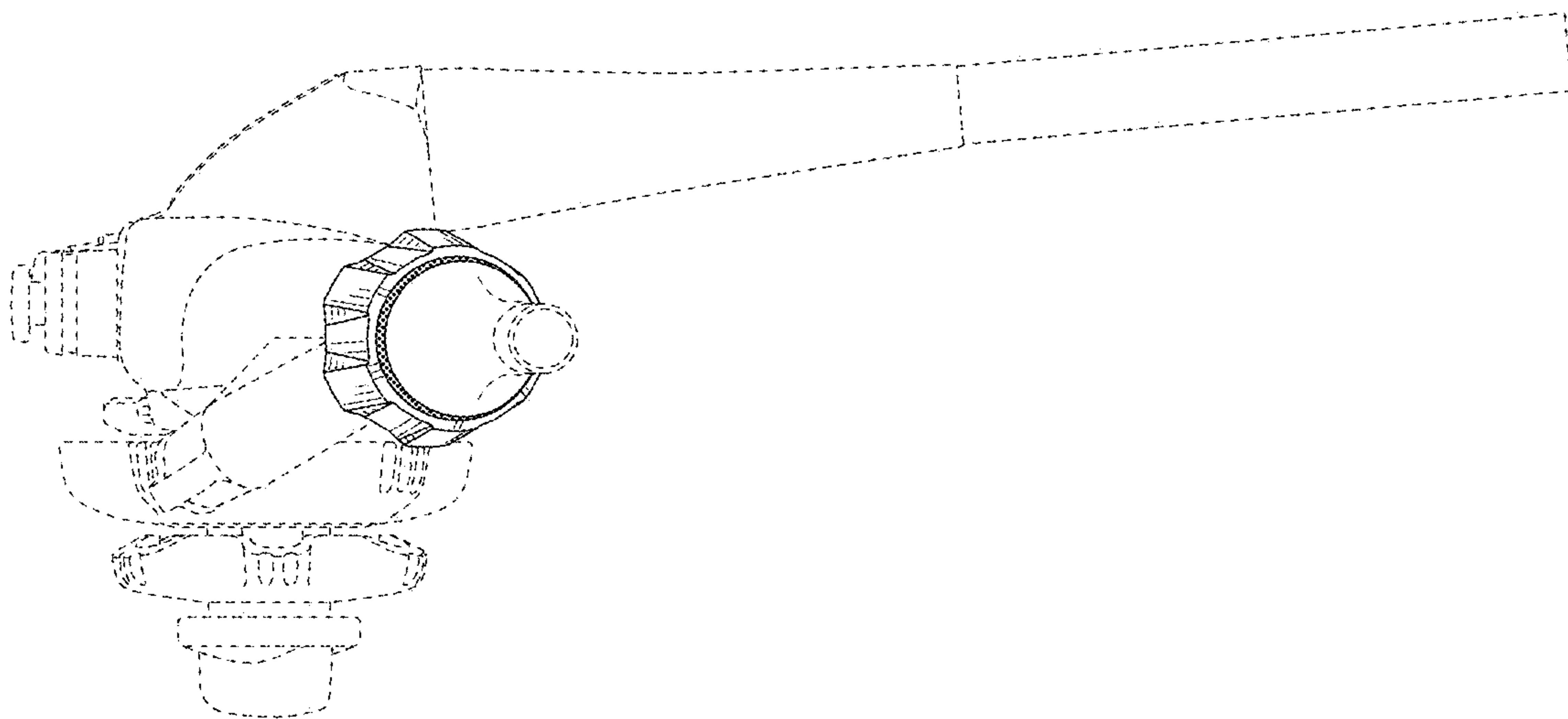


Fig. 6

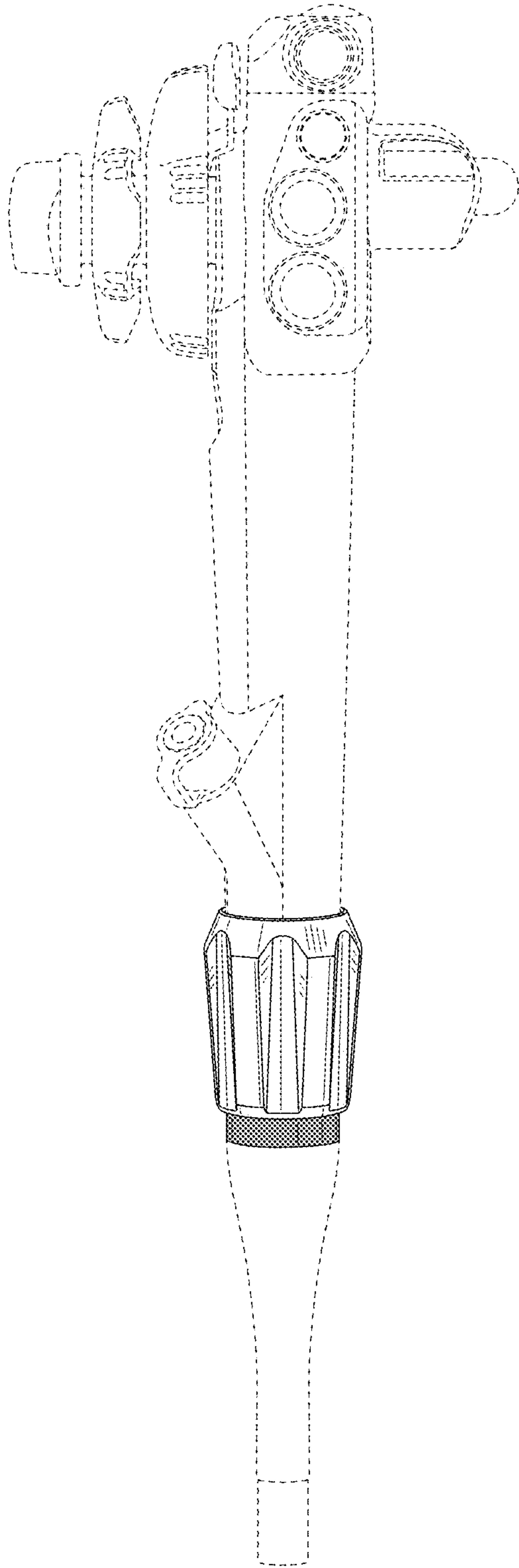


Fig. 7

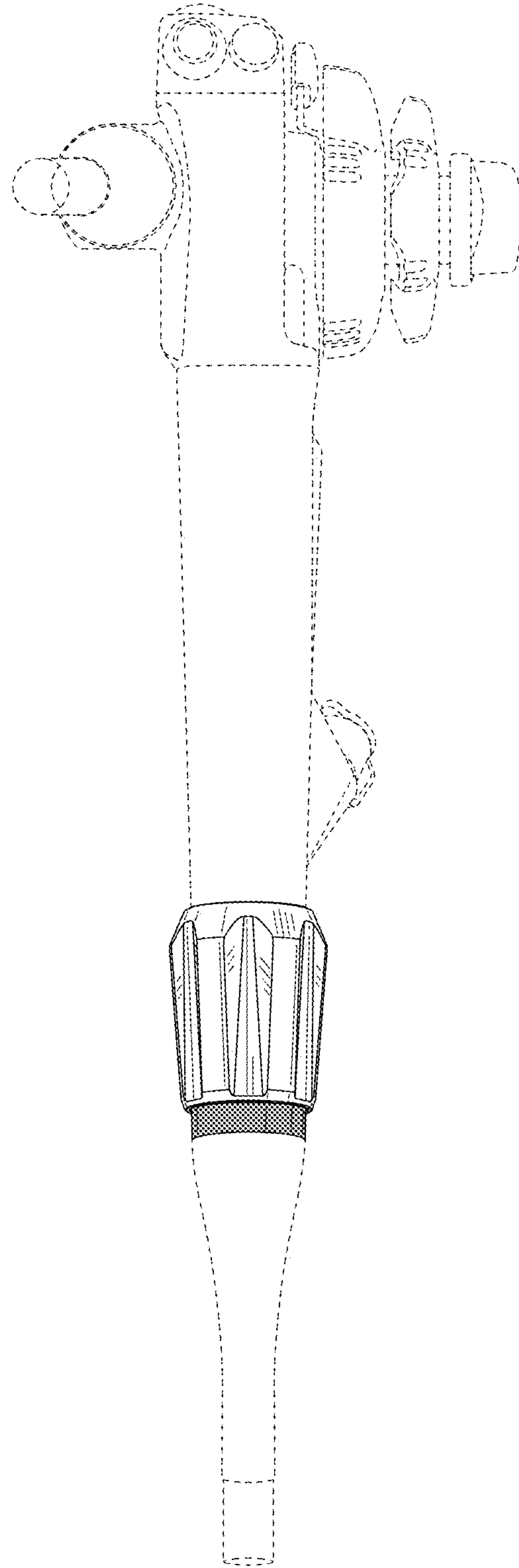


Fig. 8

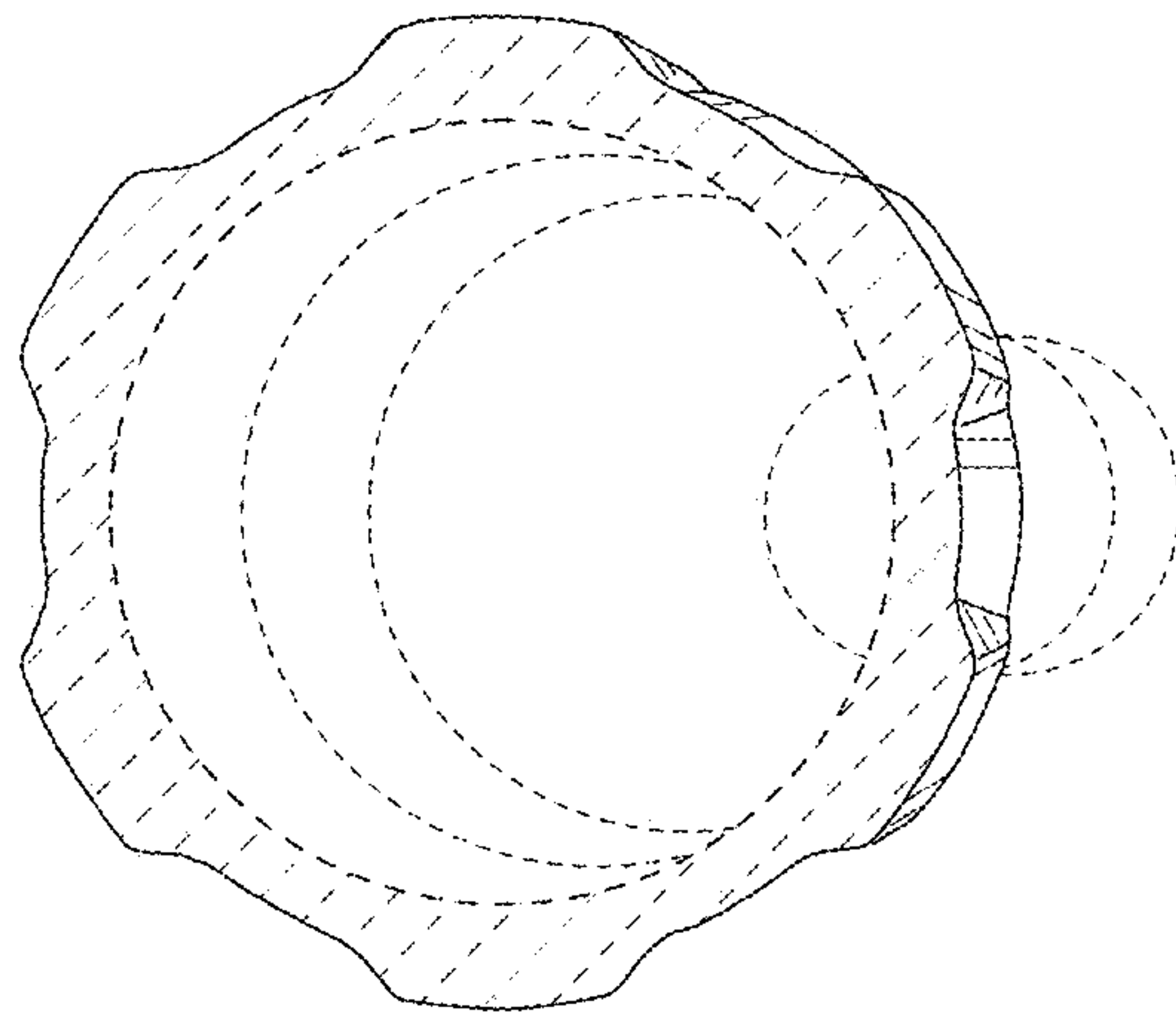


Fig. 9