



US00D872859S

(12) **United States Design Patent**
Krebs

(10) **Patent No.:** **US D872,859 S**
(45) **Date of Patent:** **** Jan. 14, 2020**

(54) **PART OF AN APPARATUS FOR MEDICAL AND LABORATORY DIAGNOSIS**

(71) Applicant: **PIETER VAN WEENEN & CO. GMBH**, Waldkirch (DE)

(72) Inventor: **Tobias Krebs**, Gutach (DE)

(73) Assignee: **Pieter Van Weenen & Co. GmbH**, Waldkirch (DE)

(**) Term: **15 Years**

(21) Appl. No.: **35/503,519**

(22) Filed: **Mar. 9, 2017**

(80) **Hague Agreement Data**

Int. Filing Date: **Mar. 9, 2017**

Int. Reg. No.: **DM/097244**

Int. Reg. Date: **Mar. 9, 2017**

Int. Reg. Pub. Date: **Aug. 18, 2017**

(51) **LOC (12) Cl.** **24-02**

(52) **U.S. Cl.**
USPC **D24/127**

(58) **Field of Classification Search**
USPC D24/127, 185, 231, 121, 134, 224, 129, D24/226, 222, 196, 109, 174, 232, 219, D24/187, 169; D9/439, 435; D10/60; D21/662; 600/38
CPC A61F 5/41; A61B 50/10
See application file for complete search history.

(56) **References Cited**

U.S. PATENT DOCUMENTS

D263,253 S * 3/1982 Reynolds D24/174
D297,366 S * 8/1988 Hsei D24/226

5,020,522 A * 6/1991 Stewart A61F 5/41
600/38
D328,033 S * 7/1992 DiGuseppi D9/435
D348,513 S * 7/1994 Bale D24/109
D445,501 S * 7/2001 Niedoşpial, Jr. D24/129
D486,224 S * 2/2004 Gay, III D24/109
D660,960 S * 5/2012 Gronberg D24/129
D668,544 S * 10/2012 Stephan D24/196
D672,052 S * 12/2012 Bucher D24/224
D716,453 S * 10/2014 Hafellner D24/169
D716,953 S * 11/2014 Martin D10/60
D731,312 S * 6/2015 Shimizu D9/439
D737,960 S * 9/2015 Philipak D24/127
D738,491 S * 9/2015 Foley D24/121
D762,873 S * 8/2016 Baum D24/224
D764,064 S * 8/2016 Vezina D24/187
D776,295 S * 1/2017 Wainwright D24/224
D776,296 S * 1/2017 Wainwright D24/224
D783,814 S * 4/2017 Hanuka D24/129
D799,714 S * 10/2017 Killen D24/219
D802,790 S * 11/2017 Tauchi D24/232
D805,651 S * 12/2017 Horstmann D24/222
D809,612 S * 2/2018 Ganea D21/662
D820,981 S * 6/2018 Johnson D24/134
D821,605 S * 6/2018 Tremblay D24/224

* cited by examiner

Primary Examiner — Rhea Shields

(74) *Attorney, Agent, or Firm* — Miller, Matthias & Hull LLP

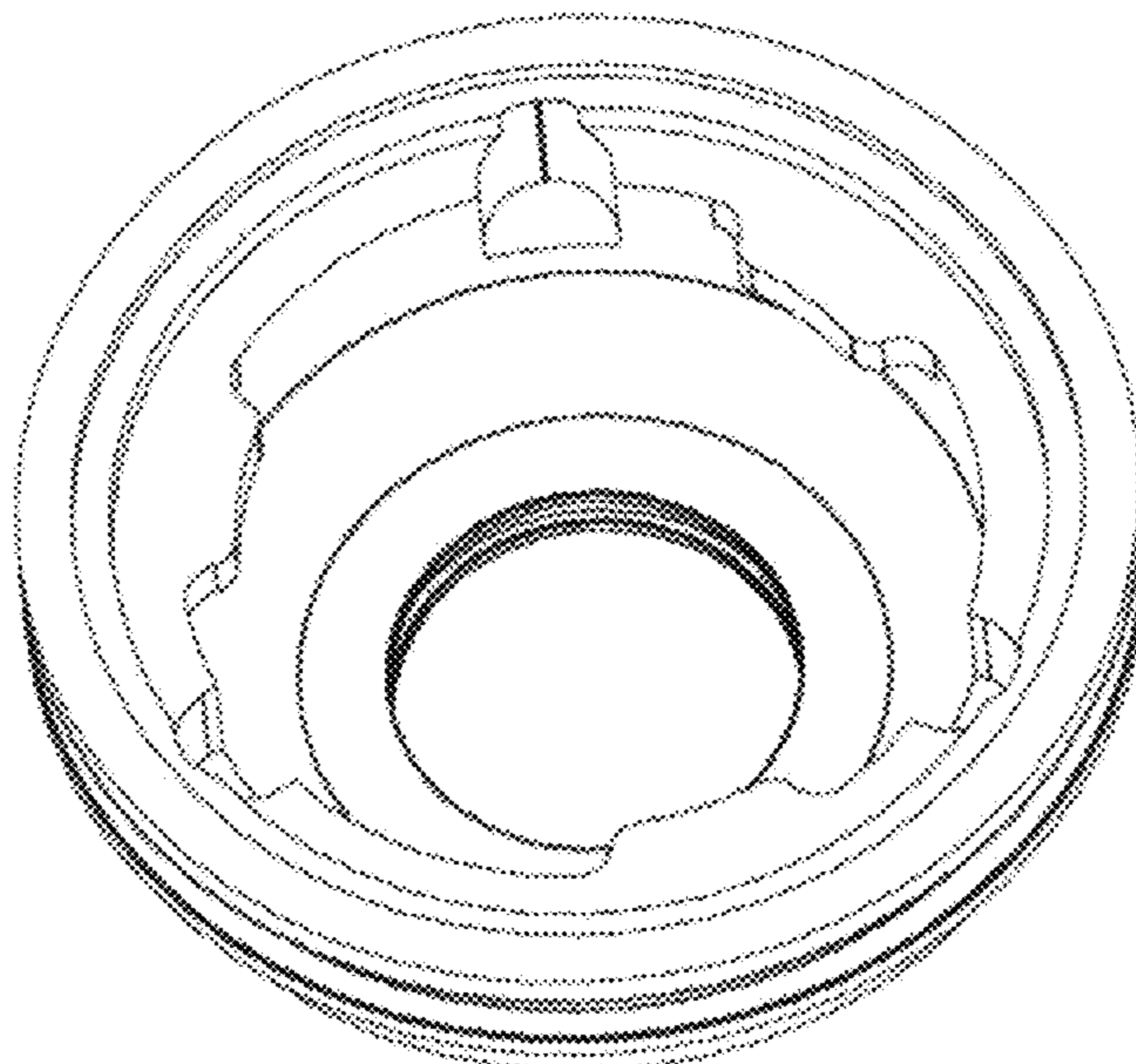
(57) **CLAIM**

The ornamental design for a part of an apparatus for medical and laboratory diagnosis, as shown and described.

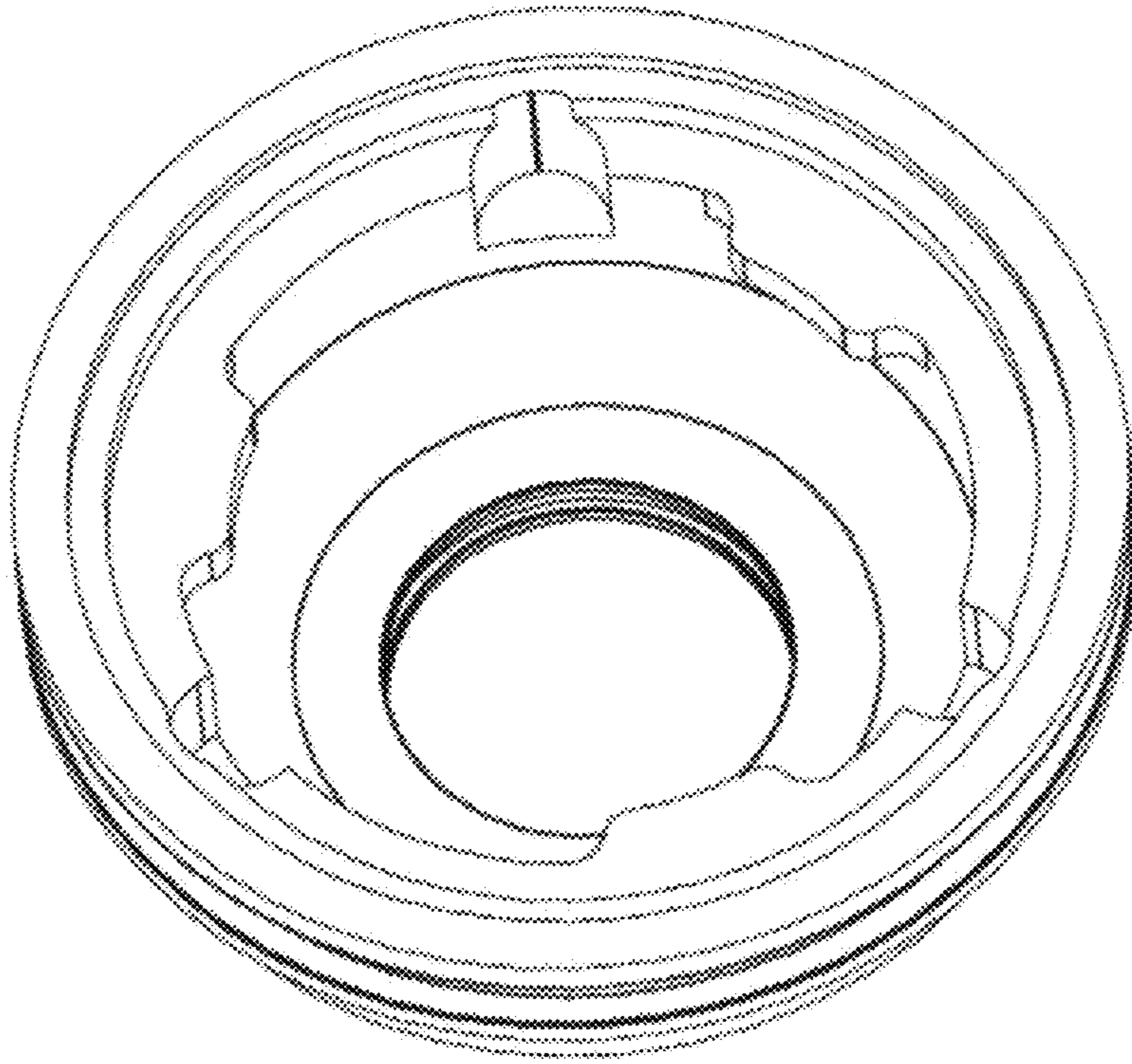
DESCRIPTION

- 1. Part of an apparatus for medical and laboratory diagnosis
- 1.1 : Perspective
- 1.2 : Top
- 1.3 : Bottom
- 1.4 : Left

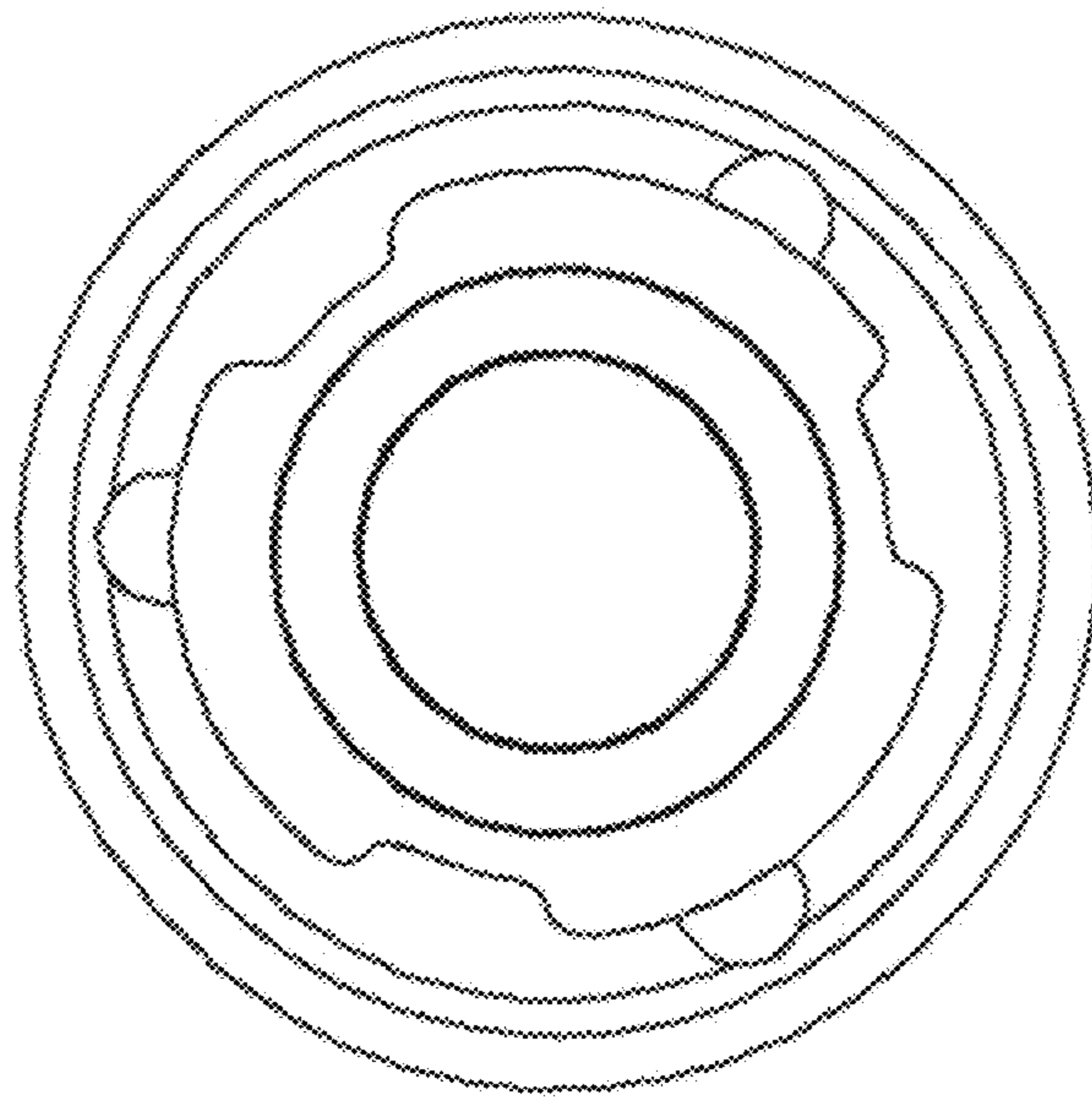
1 Claim, 4 Drawing Sheets



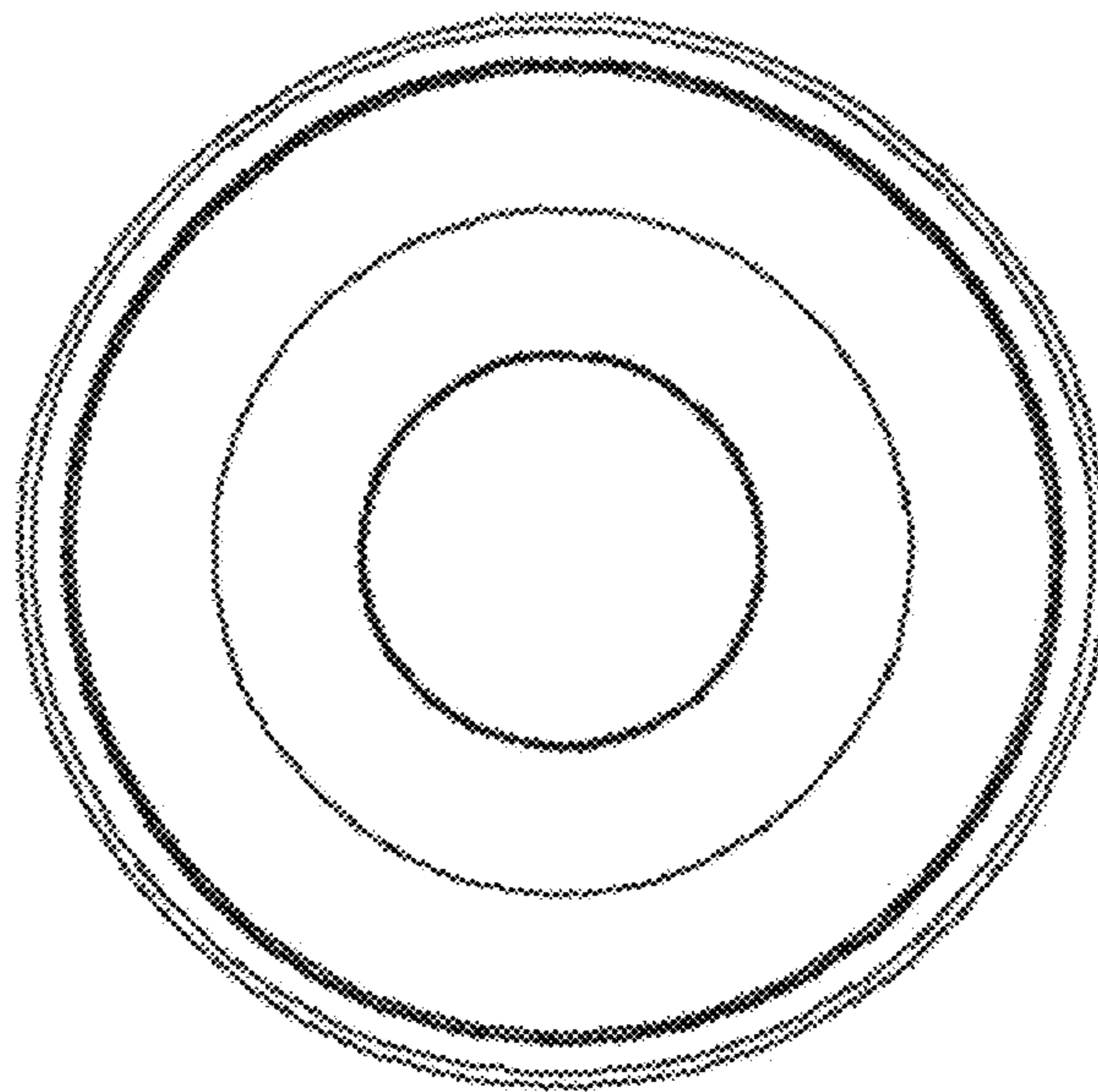
1.1



1.2



1.3



1.4

