



US00D872858S

(12) **United States Design Patent**  
Lv

(10) **Patent No.:** **US D872,858 S**

(45) **Date of Patent:** **\*\* Jan. 14, 2020**

(54) **INFLATOR**

(71) Applicant: **Linrong Lv**, Hubei Province (CN)

(72) Inventor: **Linrong Lv**, Hubei Province (CN)

(\*\*) Term: **15 Years**

(21) Appl. No.: **29/706,064**

(22) Filed: **Sep. 17, 2019**

(51) **LOC (12) Cl.** ..... **24-02**

(52) **U.S. Cl.**  
USPC ..... **D24/127**

(58) **Field of Classification Search**  
USPC ..... D24/127-131, 112-114, 133, 186;  
606/192; 604/97.03; D23/262, 263  
CPC ..... A61M 29/02; A61M 29/00; A61M 25/00;  
A61M 39/00  
See application file for complete search history.

(56) **References Cited**

**U.S. PATENT DOCUMENTS**

5,318,533	A *	6/1994	Adams	.....	A61M 25/10182
					128/903
5,342,304	A *	8/1994	Tacklind	.....	A61M 25/10184
					604/100.01
5,449,344	A *	9/1995	Taylor	.....	A61M 25/10182
					604/100.03
D455,950	S *	4/2002	Unwin	.....	D23/262
D597,182	S *	7/2009	Choi	.....	D23/263

8,118,776	B2 *	2/2012	Lampropoulos ..	A61M 25/1018	604/97.03
D675,292	S *	1/2013	Mitchell	.....	D23/263
D716,441	S	10/2014	Johnson et al.		
D731,628	S *	6/2015	Guest	.....	D23/262
D767,716	S *	9/2016	Solakian	.....	D23/213
D774,163	S *	12/2016	Solakian	.....	D23/213
D796,010	S *	8/2017	Downie	.....	D23/263
D845,448	S *	4/2019	Tanghetti	.....	D23/262
D861,836	S *	10/2019	Lee	.....	D23/263

\* cited by examiner

*Primary Examiner* — David G Muller

(74) *Attorney, Agent, or Firm* — ZANIP

(57) **CLAIM**

The ornamental design for an inflator, as shown and described.

**DESCRIPTION**

FIG. 1 is a front perspective view of an inflator, showing my new design;

FIG. 2 is a front elevational view thereof;

FIG. 3 is a rear elevational view thereof;

FIG. 4 is a left side elevational view thereof;

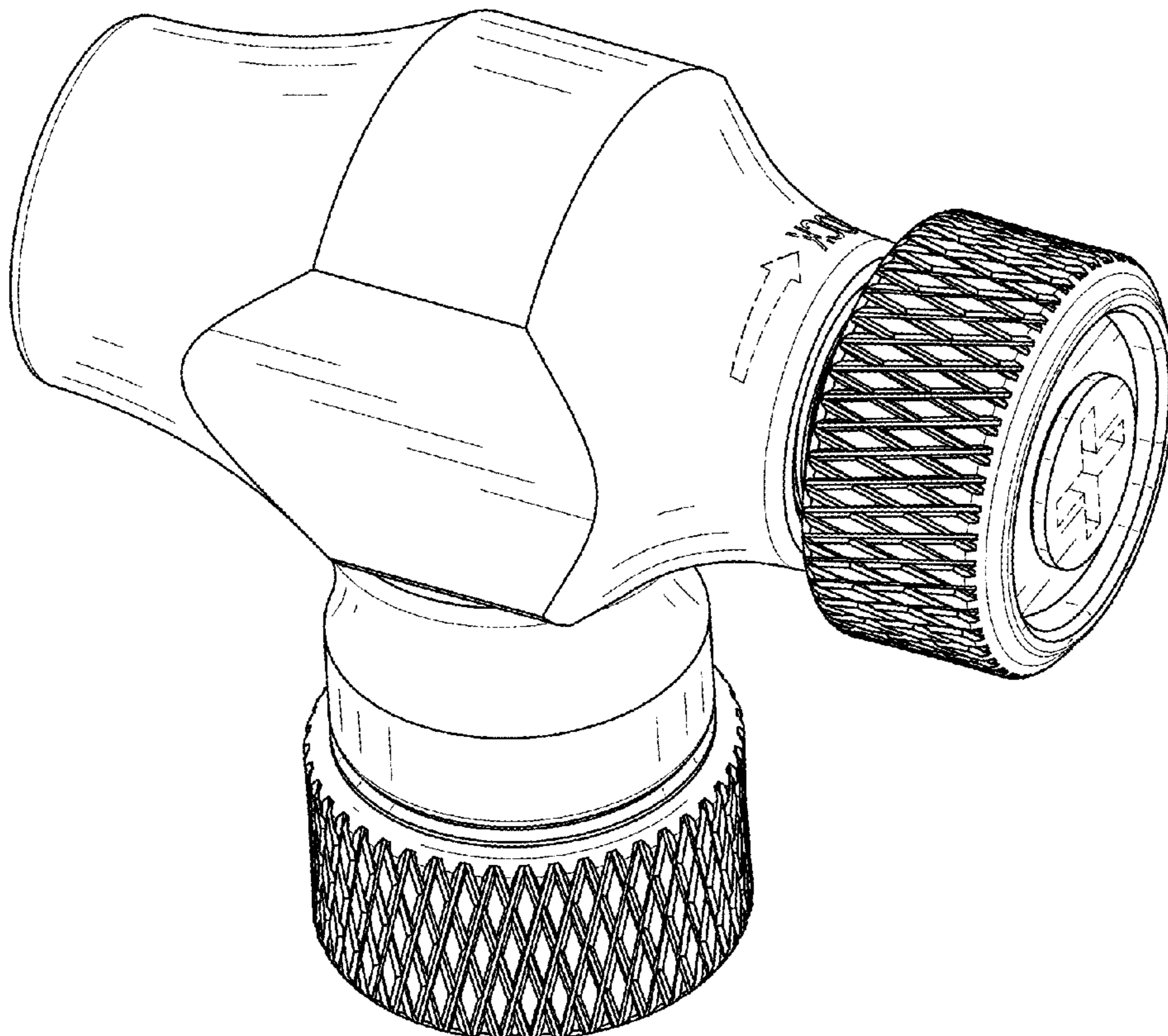
FIG. 5 is a right side elevational view thereof;

FIG. 6 is a top plan view thereof; and,

FIG. 7 is a bottom plan view thereof.

The broken lines in the figures illustrate portions of the inflator that form no part of the claimed design.

**1 Claim, 7 Drawing Sheets**



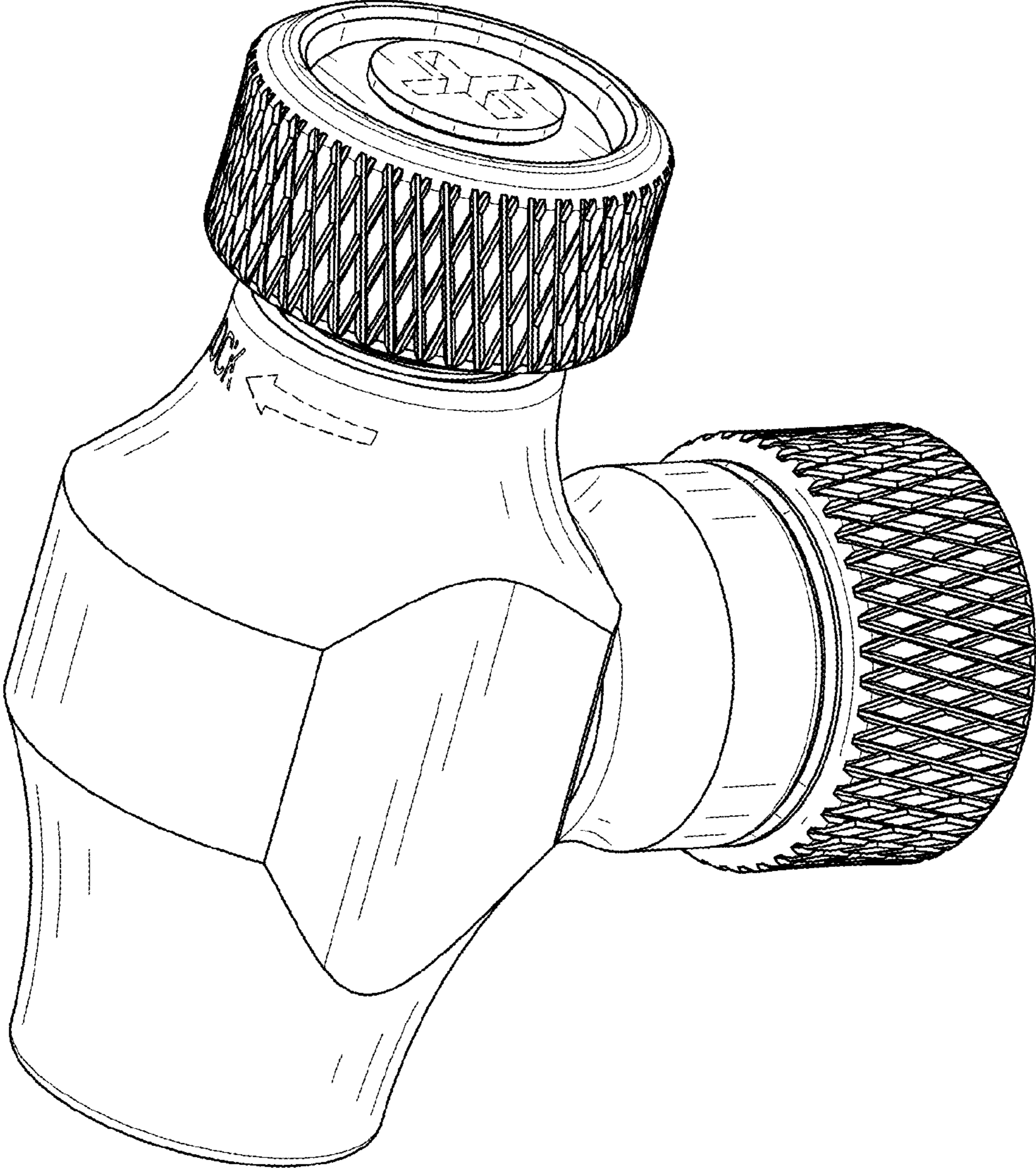


FIG.1

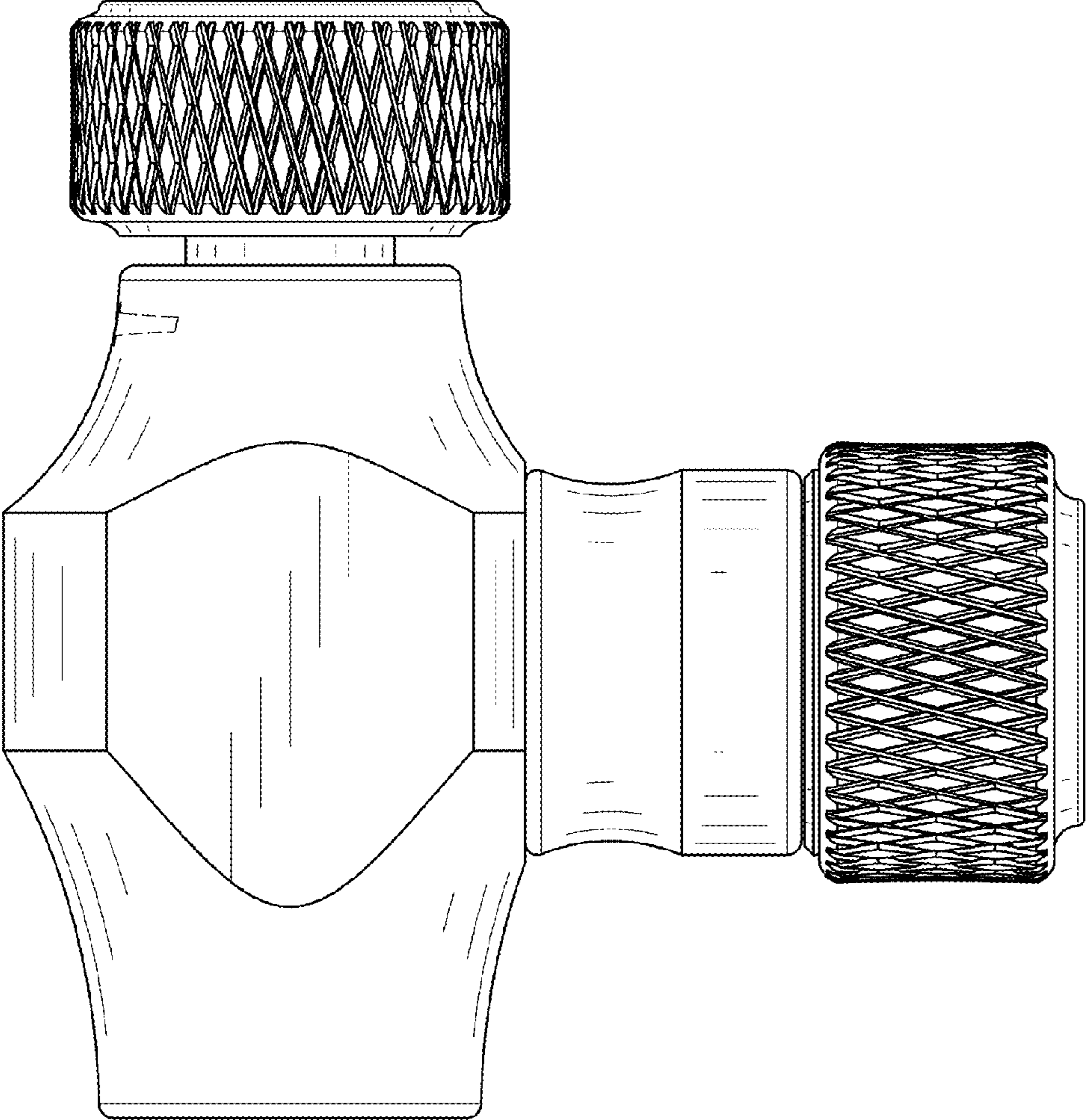


FIG.2

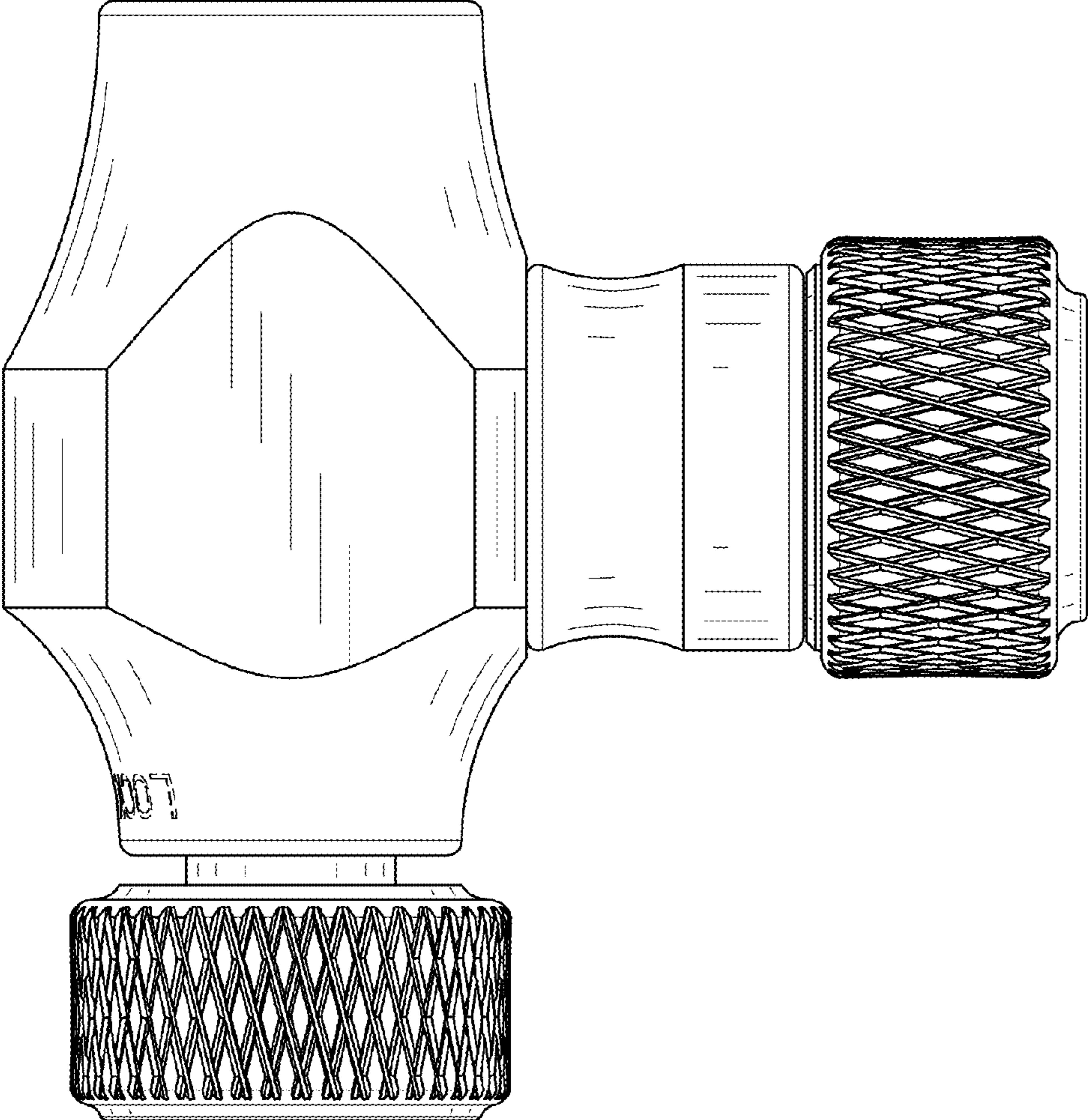


FIG. 3

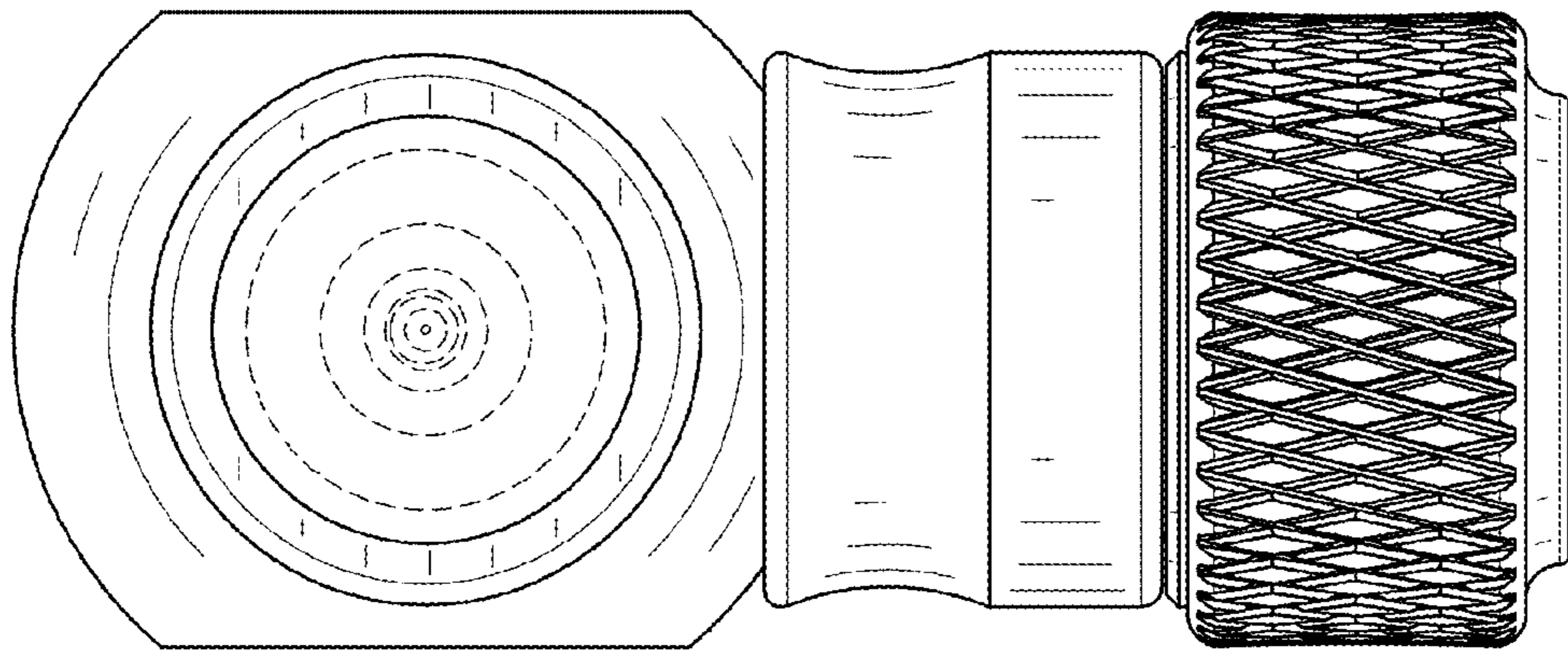


FIG.4

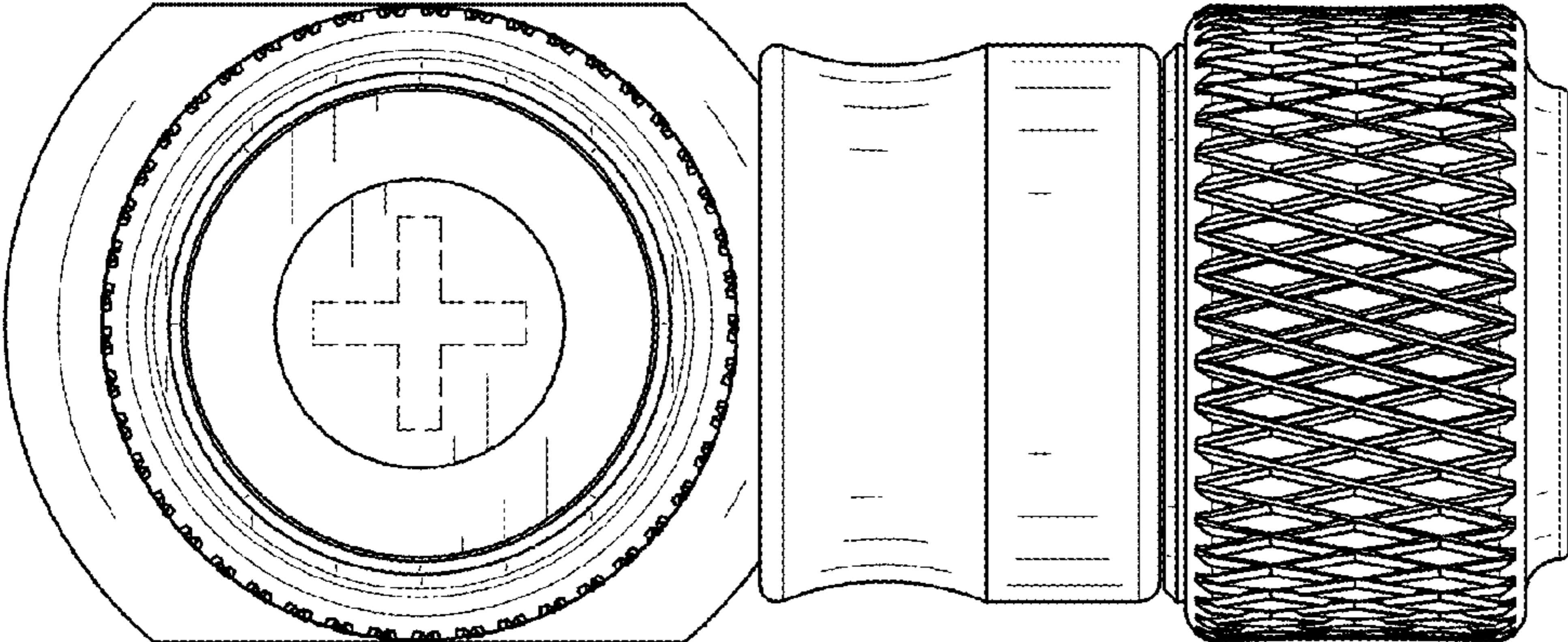


FIG. 5

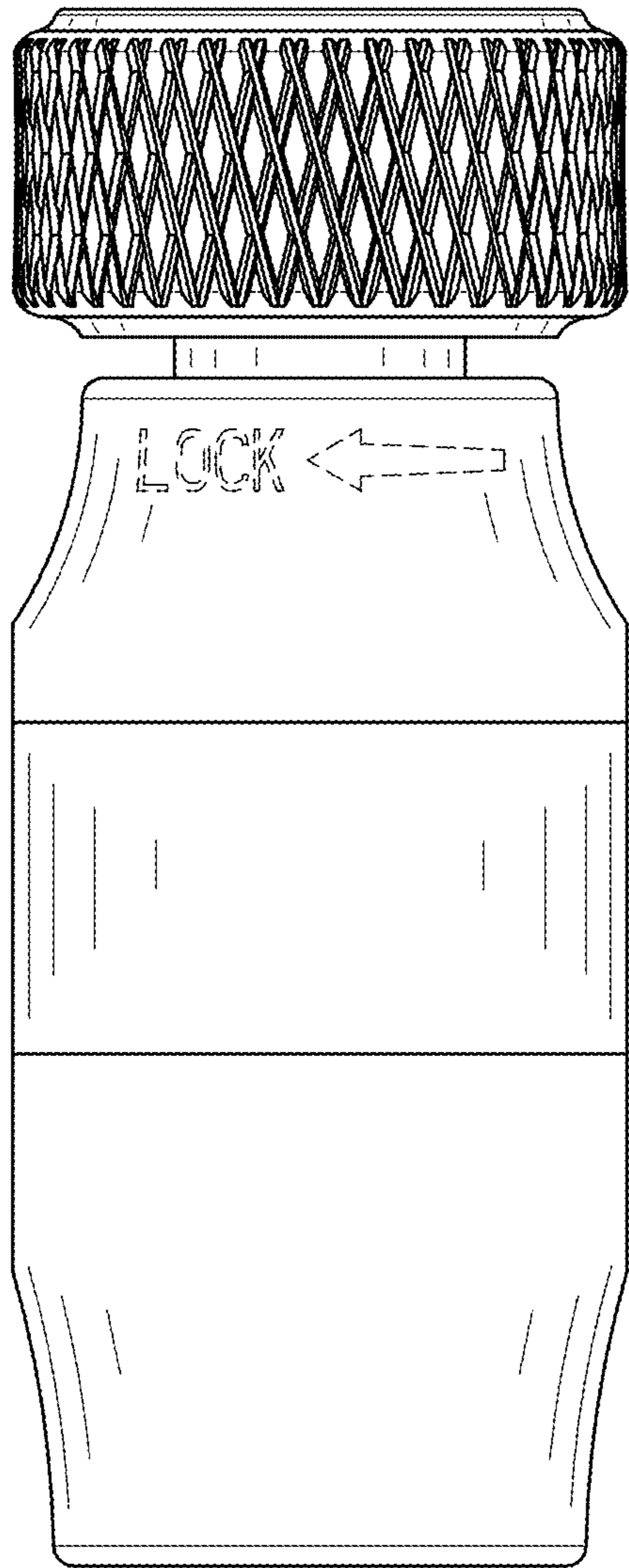


FIG. 6

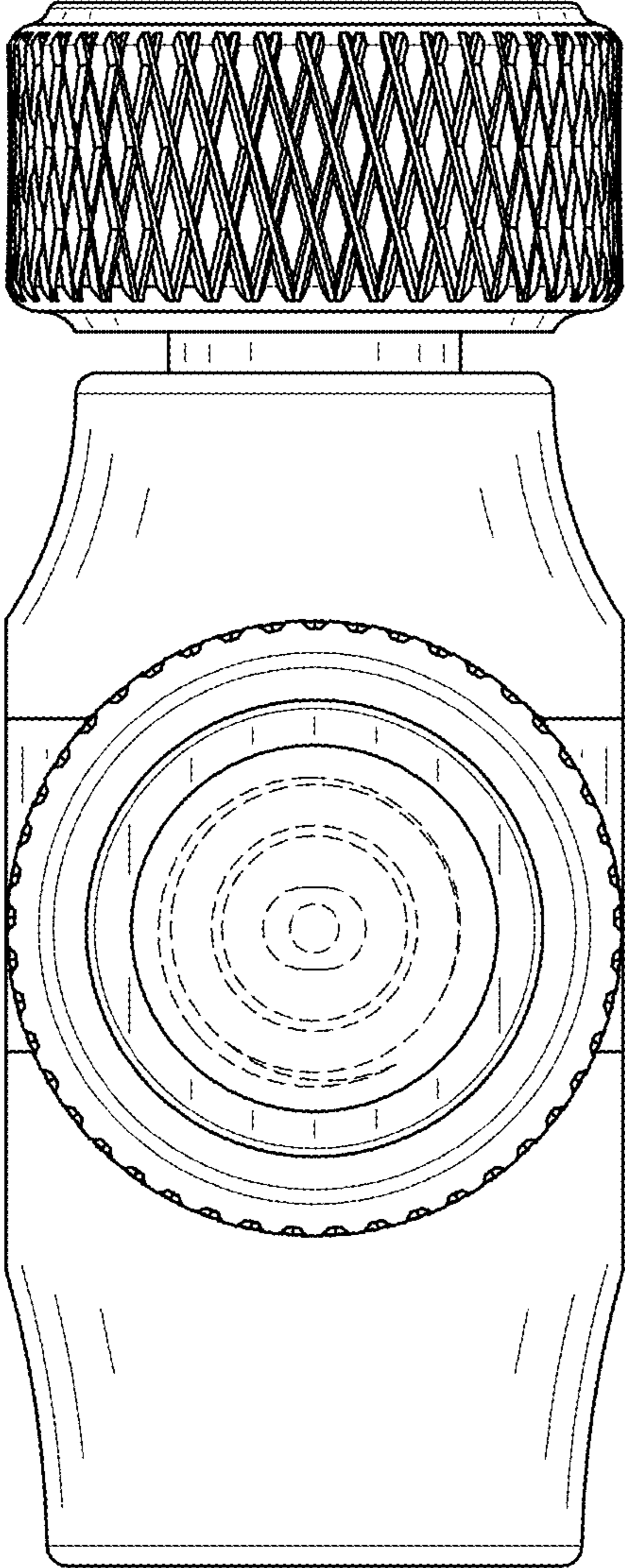


FIG. 7