



US00D872852S

(12) **United States Design Patent**
Mechor

(10) **Patent No.:** **US D872,852 S**
(45) **Date of Patent:** **** Jan. 14, 2020**

(54) **NASAL IRRIGATION APPARATUS**

(71) Applicant: **Rhinoclear Nasal Care Solutions Inc.,**
Calgary (CA)

(72) Inventor: **Bradford Mechor,** Calgary (CA)

(73) Assignee: **Rhinoclear Nasal Care Solutions Inc.,**
Calgary, Alberta (CA)

(**) Term: **15 Years**

(21) Appl. No.: **29/613,625**

(22) Filed: **Aug. 11, 2017**

(51) **LOC (12) Cl.** **24-01**

(52) **U.S. Cl.**
USPC **D24/108**

(58) **Field of Classification Search**
USPC D24/108, 111–112, 115, 117; D9/723,
D9/729, 530, 543
CPC A61M 2210/0618; A61M 3/0262; A61M
3/0275; A61M 3/02; A61H 35/04; A61H
2033/048; A61H 2201/105; A61H
2205/023
See application file for complete search history.

(56) **References Cited**

U.S. PATENT DOCUMENTS

1,856,811 A * 5/1932 Inaki A61M 3/0262
604/183
2,945,495 A * 7/1960 Griffin A61M 3/0233
604/147
D216,362 S * 12/1969 McIlroy D24/115
4,068,663 A * 1/1978 D’Alessandro A61M 3/0262
222/541.9
D249,229 S * 9/1978 Schacher D9/523

D264,428 S * 5/1982 Jones D24/117
D444,227 S * 6/2001 Hennemann D24/115
6,241,705 B1 * 6/2001 Ko-Wen A61M 3/0241
604/73
6,540,718 B1 * 4/2003 Wennek A61H 35/04
604/275
D581,519 S * 11/2008 Schrag D23/223
7,971,761 B1 * 7/2011 Kudlu A61M 3/0245
222/481.5
D821,567 S * 6/2018 Feldman D24/108
2009/0202665 A1 * 8/2009 Javer A61H 35/04
424/744
2011/0137258 A1 * 6/2011 Yadidi A61M 3/0245
604/181
2011/0166523 A1 * 7/2011 Javer A61H 35/04
604/151
2016/0114096 A1 * 4/2016 Mehta A61M 3/0279
604/192
2016/0263307 A1 * 9/2016 Gerber A61M 3/0241
2019/0184088 A1 * 6/2019 Mechor A61M 3/0262

* cited by examiner

Primary Examiner — Lilyana Bekic
(74) *Attorney, Agent, or Firm* — Gowling WLG (Canada)
LLP

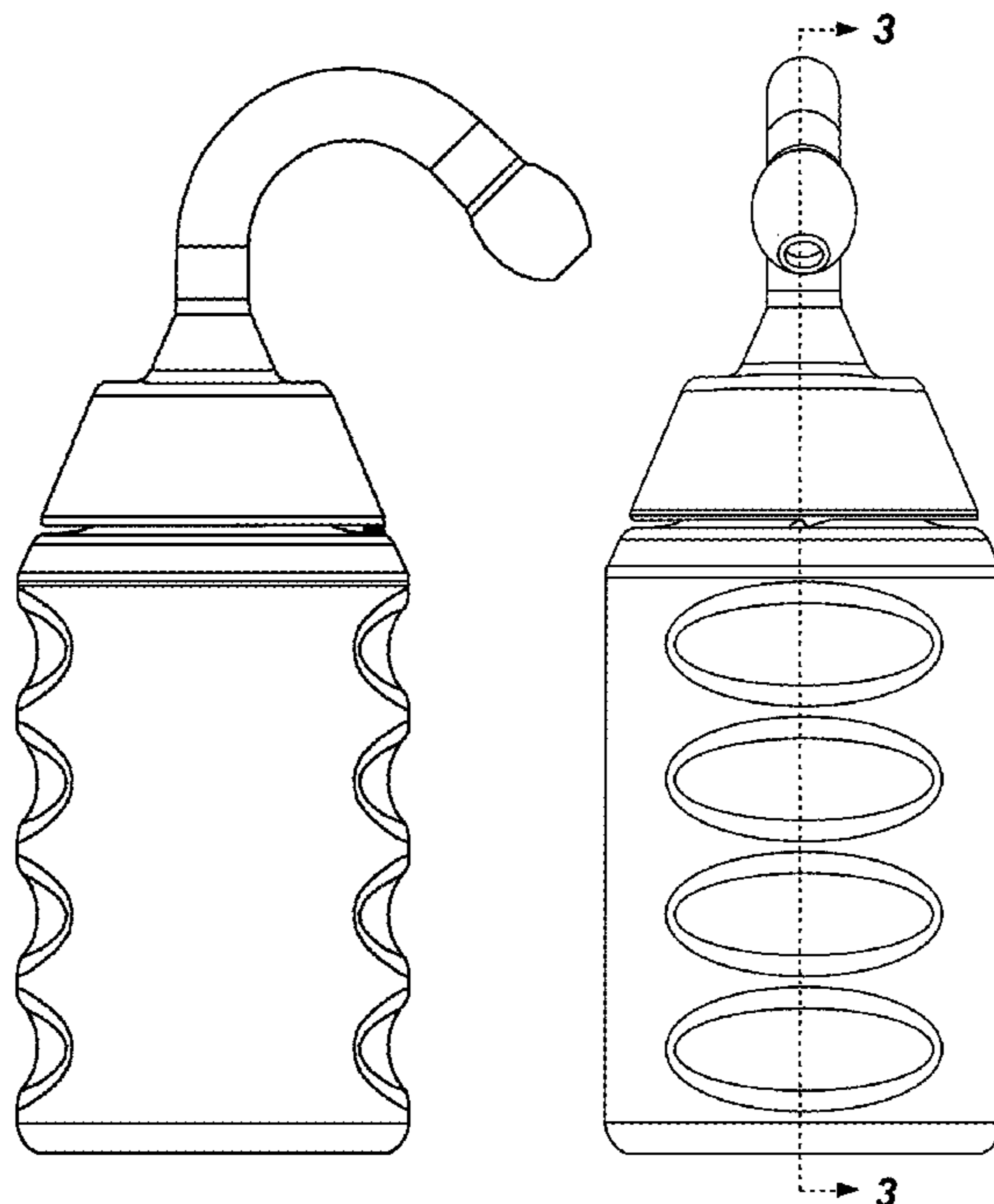
(57) **CLAIM**

I claim the ornamental design for a nasal irrigation apparatus, as shown and described.

DESCRIPTION

FIG. 1 is a left side view of a nasal irrigation apparatus, showing my new design; FIG. 2 is a front view thereof; and, FIG. 3 is an exploded cross-sectional view taken in the direction of line 3-3 of FIG. 2.

1 Claim, 3 Drawing Sheets



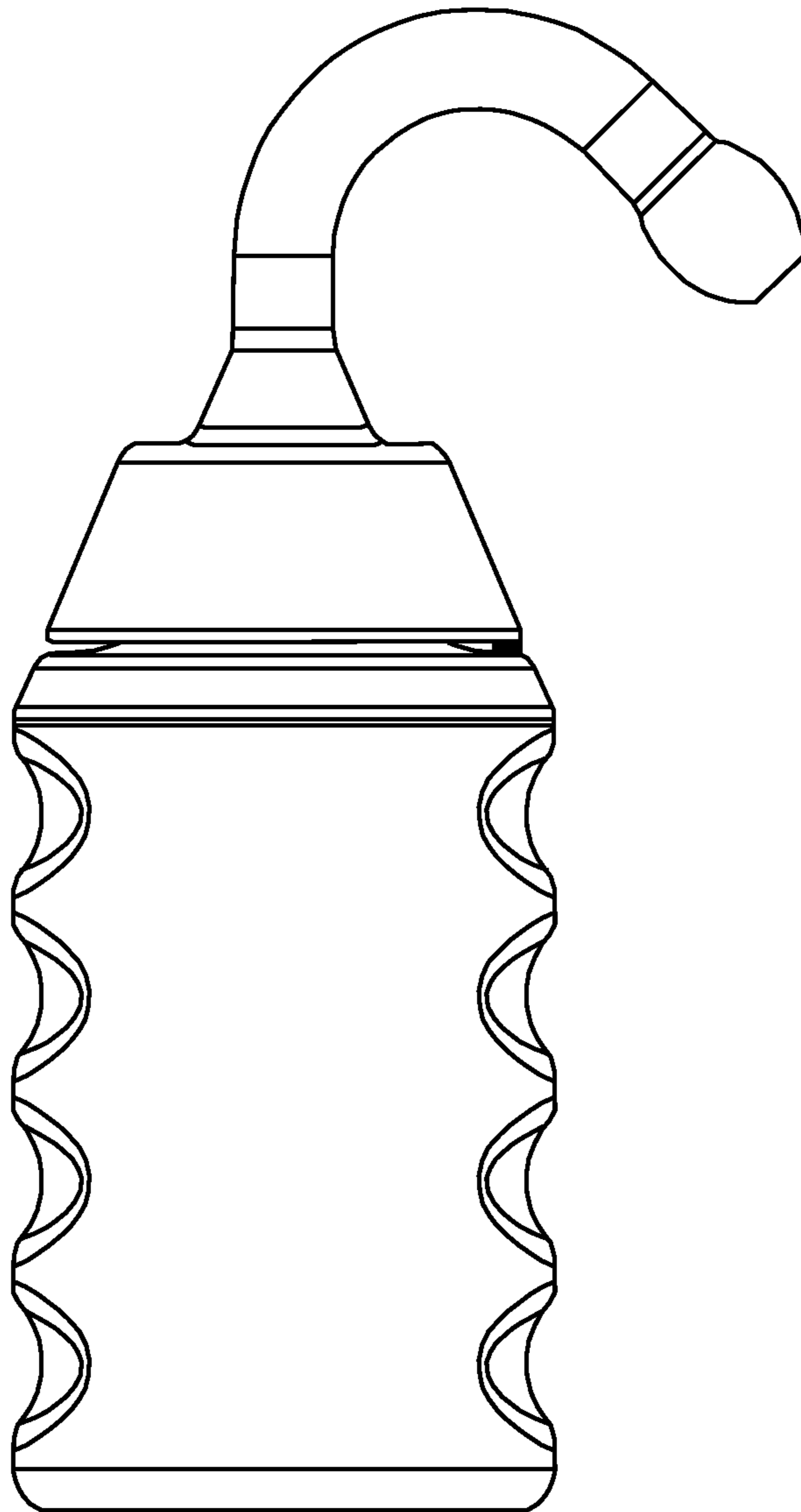


FIG. 1

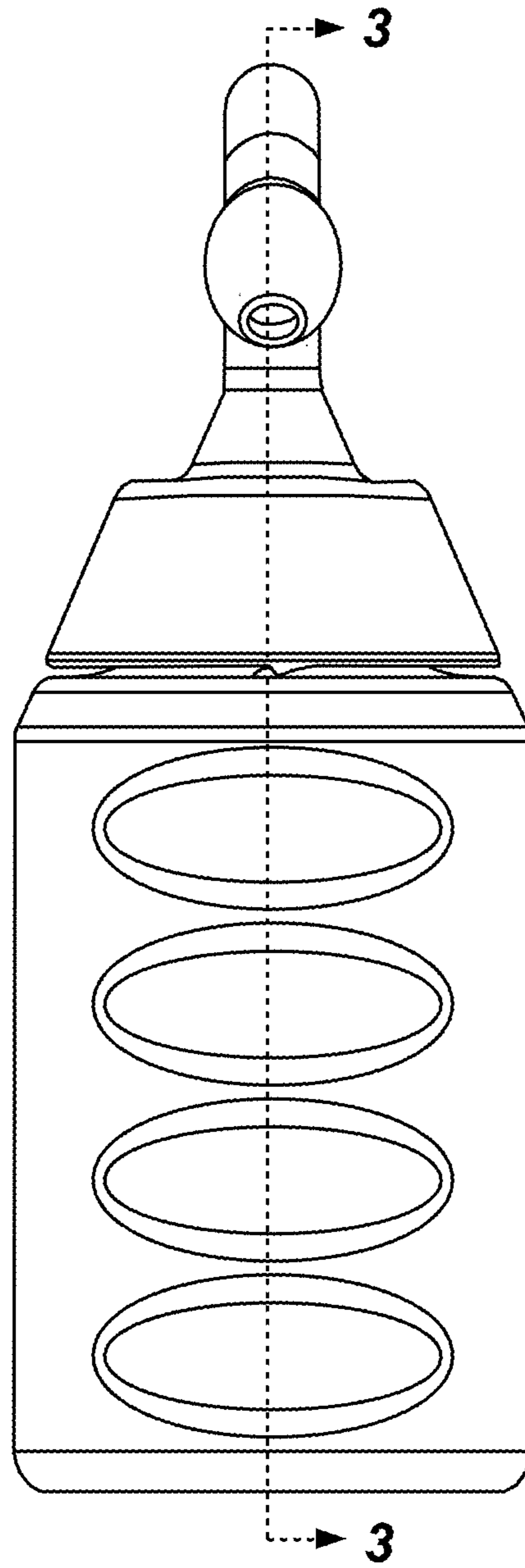


FIG. 2

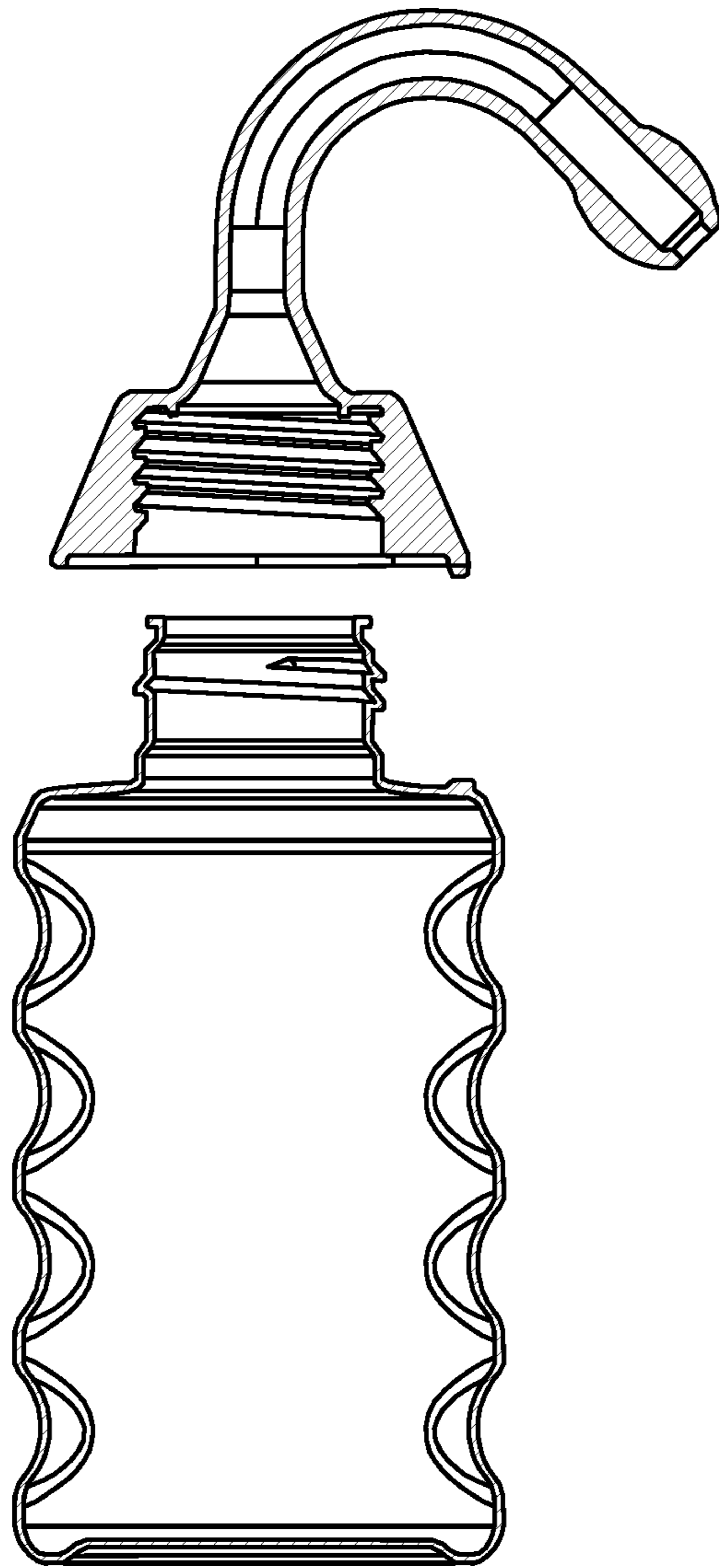


FIG. 3