



US00D872850S

(12) **United States Design Patent**
Haggar

(10) **Patent No.:** **US D872,850 S**

(45) **Date of Patent:** **** Jan. 14, 2020**

- (54) **CEILING FAN**
- (71) Applicant: **HUNTER FAN COMPANY,**
Memphis, TN (US)
- (72) Inventor: **Alexander Jonathan Haggar,**
Memphis, TN (US)
- (73) Assignee: **Hunter Fan Company,** Memphis, TN
(US)
- (**) Term: **15 Years**

D521,625 S *	5/2006	Young	D23/377
D525,696 S *	7/2006	Ertze	D23/377
D528,645 S *	9/2006	Young	D23/377
D529,163 S *	9/2006	Young	D23/377
D539,894 S *	4/2007	Bucher	D23/377
D549,866 S	8/2007	Pan		
D555,779 S *	11/2007	Bucher	D23/377
D576,720 S *	9/2008	Bucher	D23/377
D581,509 S *	11/2008	Marshall	D23/377
D603,954 S	11/2009	Curtin		
D633,611 S *	3/2011	Pan	D23/377
D708,314 S *	7/2014	Pan	D23/377
D710,489 S *	8/2014	Shurtleff	D23/377

- (21) Appl. No.: **29/582,628**
- (22) Filed: **Oct. 28, 2016**
- (51) **LOC (12) Cl.** **23-04**
- (52) **U.S. Cl.**
USPC **D23/377**
- (58) **Field of Classification Search**
USPC D23/370, 377, 379, 385, 411; D26/59
CPC F04D 25/088; F21V 33/0096
See application file for complete search history.

OTHER PUBLICATIONS

<http://www.hunterfan.com/Ceiling-Fans/Gunnar?ModelNumber=59208>, Item Specification for Hunter Fan Gunnar—54" Ceiling Fan, Model No. 59208, Accessed on Oct. 28, 2016.

(Continued)

Primary Examiner — Janice Hallmark
(74) *Attorney, Agent, or Firm* — McGarry Bair PC

(57) **CLAIM**

The ornamental design for a ceiling fan, as shown and described.

(56) **References Cited**

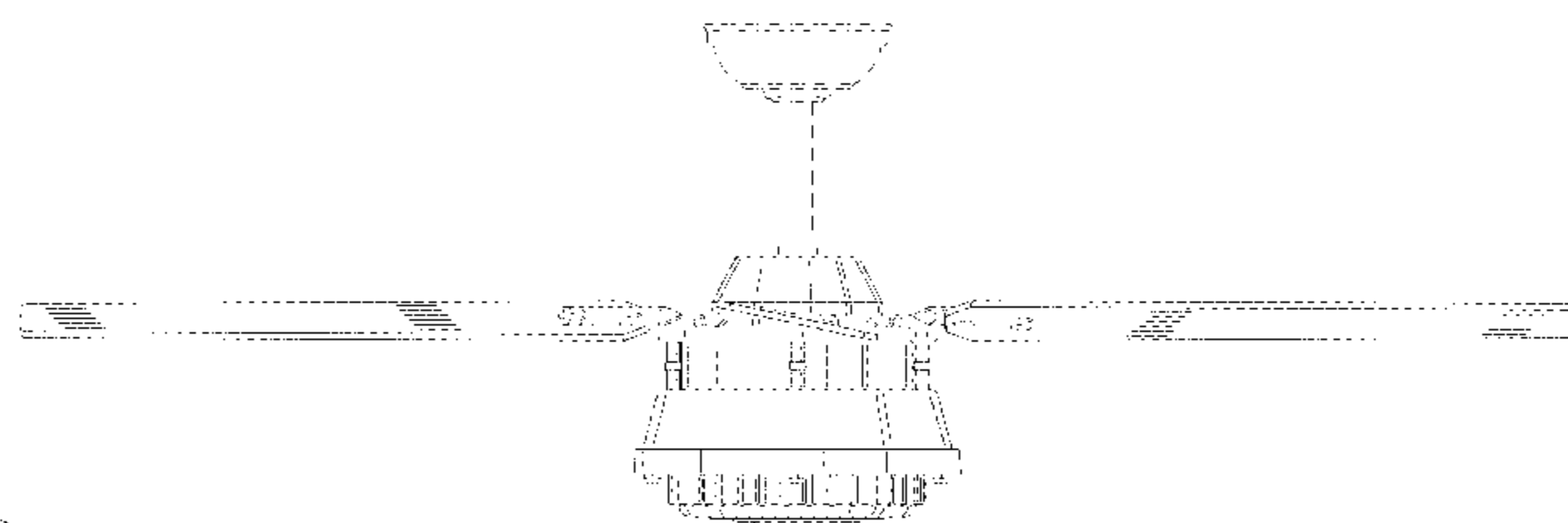
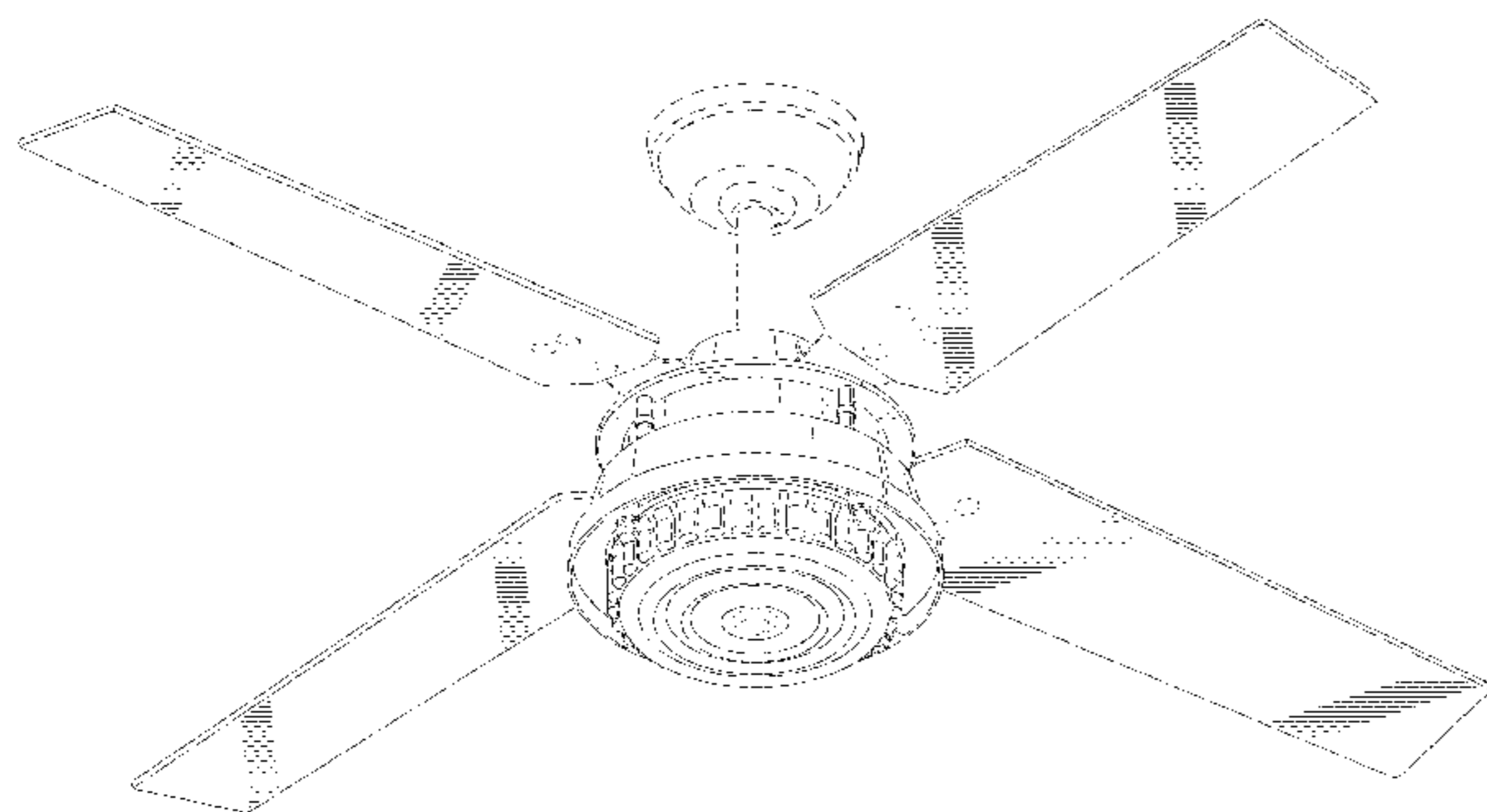
U.S. PATENT DOCUMENTS

D192,402 S *	3/1962	Hart	D23/385
4,666,670 A *	5/1987	Cox	F24F 3/12 416/5
D383,528 S *	9/1997	Collmar	D23/377
D435,289 S *	12/2000	Liu	D23/377
D449,396 S *	10/2001	Campbell	D26/59
D476,406 S *	6/2003	Friedes	D23/377
D479,872 S *	9/2003	Young	D23/377
D480,470 S	10/2003	Tsuji		
D489,126 S *	4/2004	Young	D23/411
D504,173 S	4/2005	Cohen		
D510,622 S *	10/2005	Tai	D23/411
D516,200 S *	2/2006	Pickett	D23/411
D517,197 S *	3/2006	Pickett	D23/411
D517,675 S *	3/2006	Young	D23/377

DESCRIPTION

FIG. 1 is a top perspective view of a ceiling fan showing my new design;
FIG. 2 is a bottom perspective view of the ceiling fan of FIG. 1;
FIG. 3 is a top view of the ceiling fan of FIG. 1;
FIG. 4 is a bottom view of the ceiling fan of FIG. 1; and,
FIG. 5 is a side view of the ceiling fan of FIG. 1.
Portions of the ceiling fan are shown in broken lines. The portions shown in broken lines form no part of the claimed design.

1 Claim, 5 Drawing Sheets



(56)

References Cited

OTHER PUBLICATIONS

<http://www.hunterfan.com/Ceiling-Fans/Chronicle?ModelNumber=59236>, Item Specification for Hunter Fan Chronicle—54" Ceiling Fan, Model No. 59236, Accessed on Oct. 28, 2016.

<http://www.craftmade.com/Ellington-Fans-UBR52BNK4-Nickel-Ceiling-Fan.HTM>, Item Specification for Craftmade Ellington Urban Breeze, Model No. UBR52BNK4, Accessed on Oct. 28, 2016.

<http://www.craftmade.com/Ellington-Fans-UB48BC4C1-Brushed-Chrome-Ceiling-Fan.HTM>, Item Specification for Craftmade Ellington Urbana, Model No. UB48BC4C1, Accessed on Oct. 28, 2016.

<http://www.lowes.com/pd/Harbor-Breeze-Lac-Arpin-44-in-Brushed-Nickel-and-Black-Downrod-Mount-Indoor-Ceiling-Fan-with-Light-Kit-and-Remote-3-Blade/50291921>, Item Specification for Harbor Breeze Lac Arpin 44-in Brushed Nickel and Black Downrod Mount Indoor Ceiling Fan with Light Kit and Remote (3-Blade), Model No. 35062, Accessed on Oct. 28, 2016.

<https://www.menards.com/main/lighting-ceiling-fans/ceiling-fans/shop-all-ceiling-fans/turn-of-the-century-reg-ashton-52-brushed-nickel-ceiling-fan/p-1444424531588-c-7488.htm?tid=-3210252080453521381>, Item Specification for Turn of the Century Ashton 52" Brushed Nickel Traditional Ceiling Fan, Model No. 35060, Accessed on Oct. 28, 2016.

<http://www.fanimation.com/products/index.php/fans/spitfire-655.html>, Item Specification for Fanimation Spitfire, Model No. MA6721.

<http://www.montecarlofans.com/28206/52-Icon-Fan---Roman-Bronze-4ICR52RBD.html>, Item Specification for Monte Carlo 52" Icon Fan—Roman Bronze, Model No. 4ICR52RBD, Accessed on Oct. 28, 2016.

<http://www.kichler.com/products/product/56-inch-hatteras-bay-fan-bss-300018bss.aspx>, Kichler Hatteras Bay Collection 56 Inch Hatteras Bay Fan BSS, Model No. 300018BSS, Accessed on Oct. 28, 2016.

<http://www.fanimation.com/products/index.php/fans/odyn.html>, Item Specification for Fanimation Odyn, Model No. FPD8149, Accessed on Oct. 28, 2016.

<http://www.kichler.com/products/product/52-inch-starkk-ceiling-fan-ni-300173ni.aspx>, Item Specification for Starkk Collection, 52 Inch Starkk Ceiling Fan NI, Model No. 300173NI, Accessed on Oct. 28, 2016.

<http://www.fanimation.com/products/index.php/fans/inlet.html>, Item Specification for Fanimation Inlet, Model No. FPS7880, Accessed on Oct. 28, 2016.

<http://ceilingfans.emerson.com/shop/en/fan/fan-s-all/fans-s-browse-all/amhurst-fan-p-cf880>, Item Specification for Emerson Amhurst, Model No. CF880VNB, Accessed on Oct. 28, 2016.

Photon 2-Light 54", previously available at <http://www.menards.com/main/lighting-ceiling-fans/ceiling-fans/shop-all-ceiling-fans/photon-2-light-54-in-indoor-brushed-steel-ceiling-fan/p-1444427078445-c-7488.htm?tid=-5545980670796292505>.

* cited by examiner

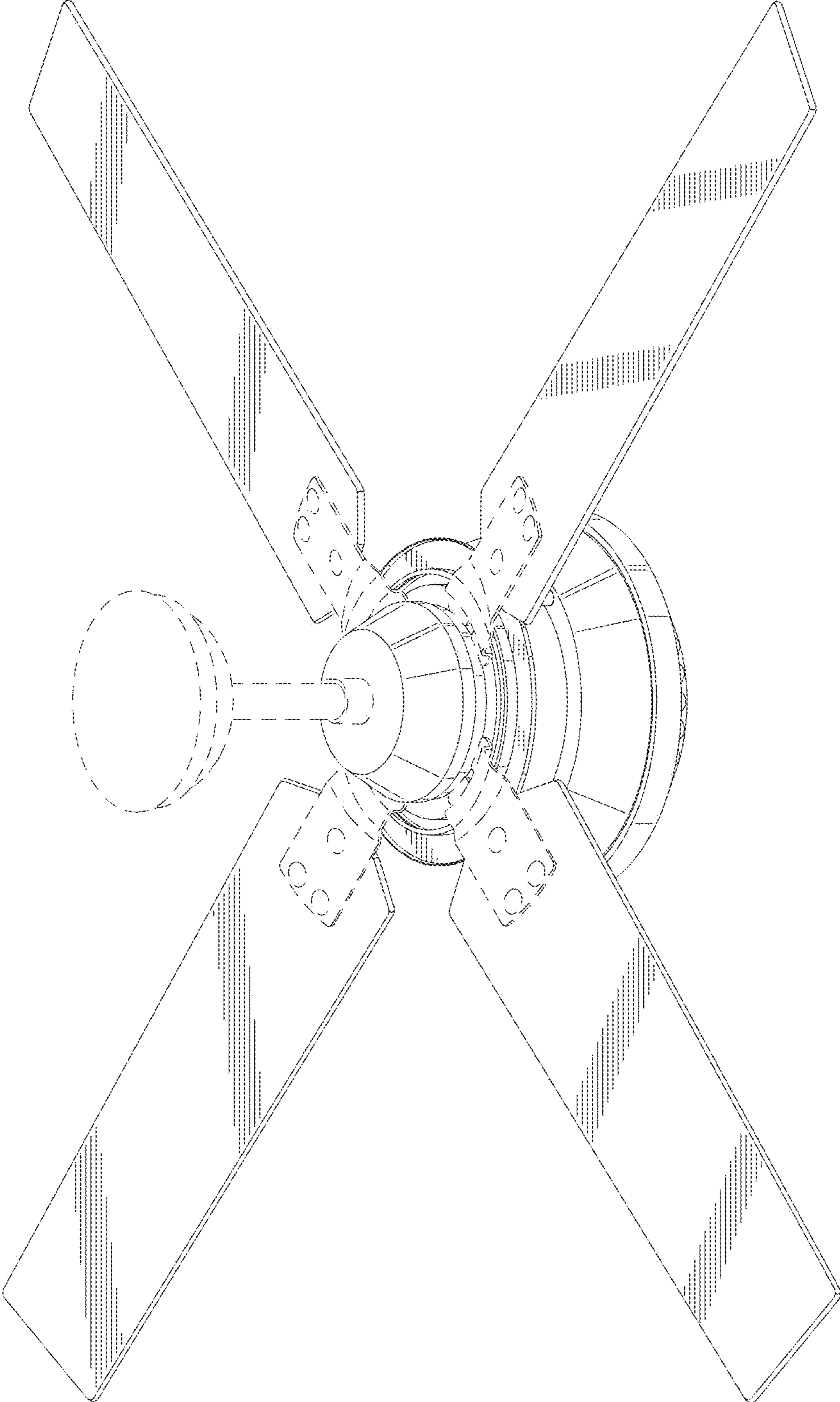


FIG. 1

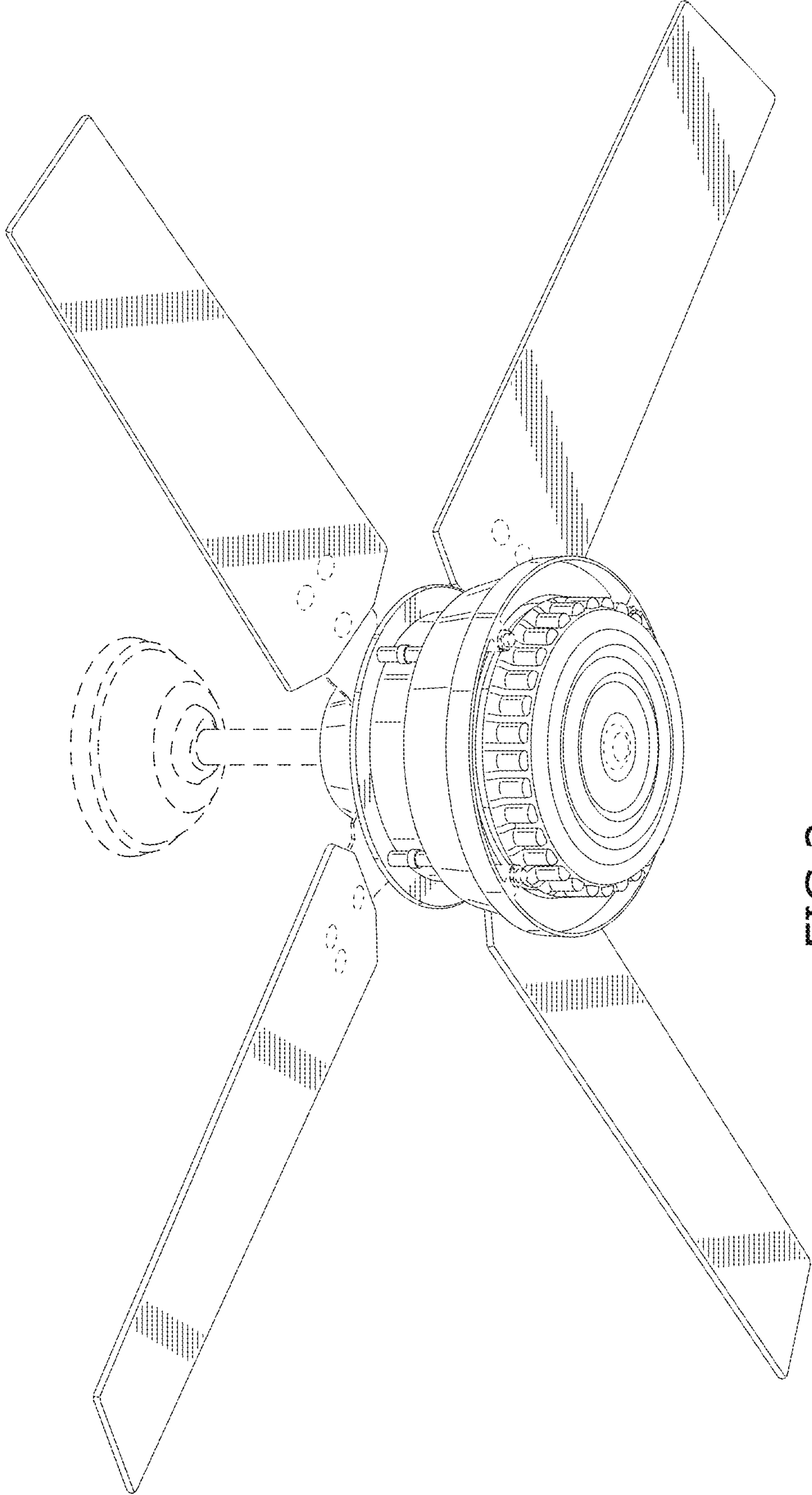


FIG.2

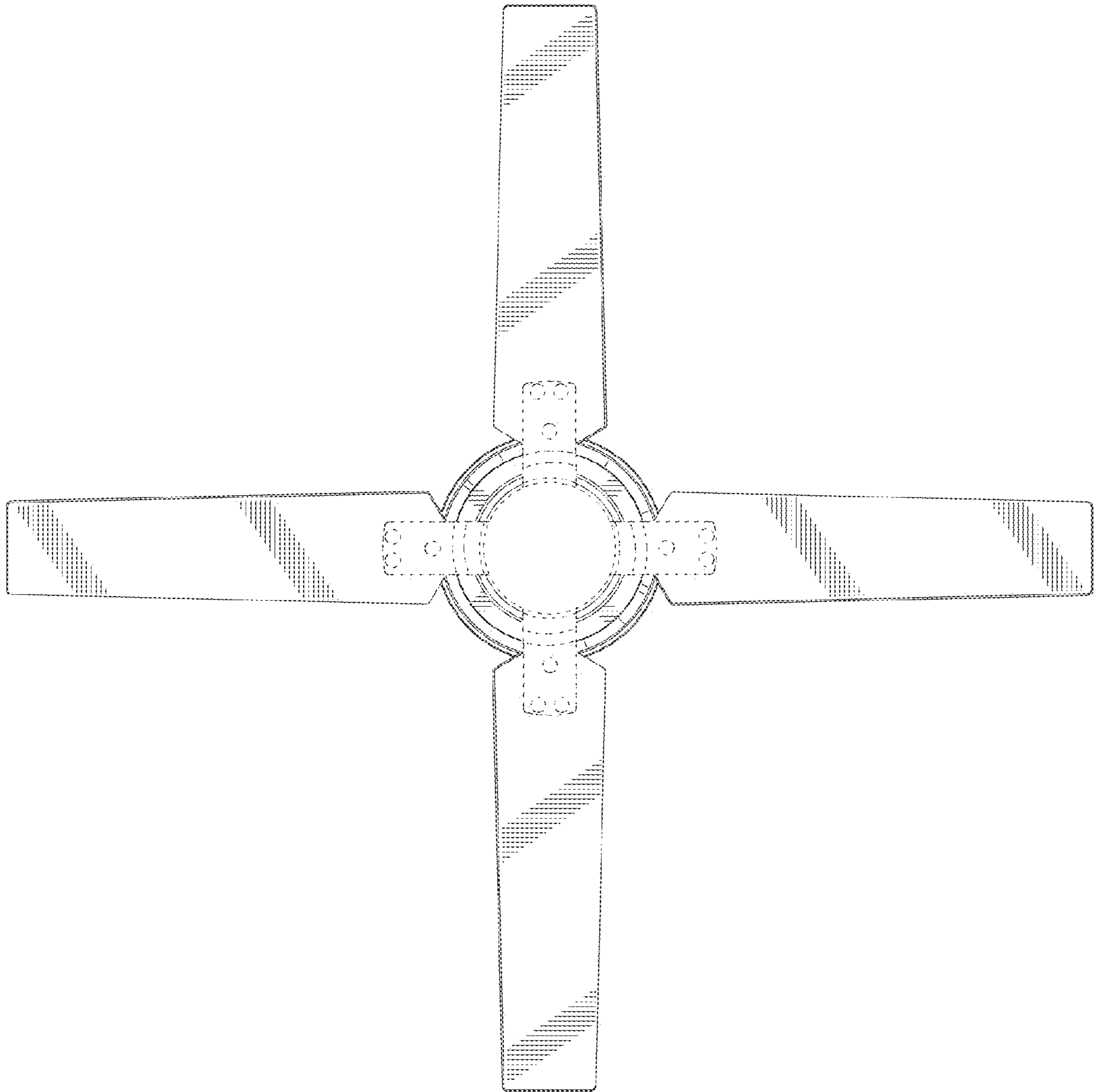


FIG. 3

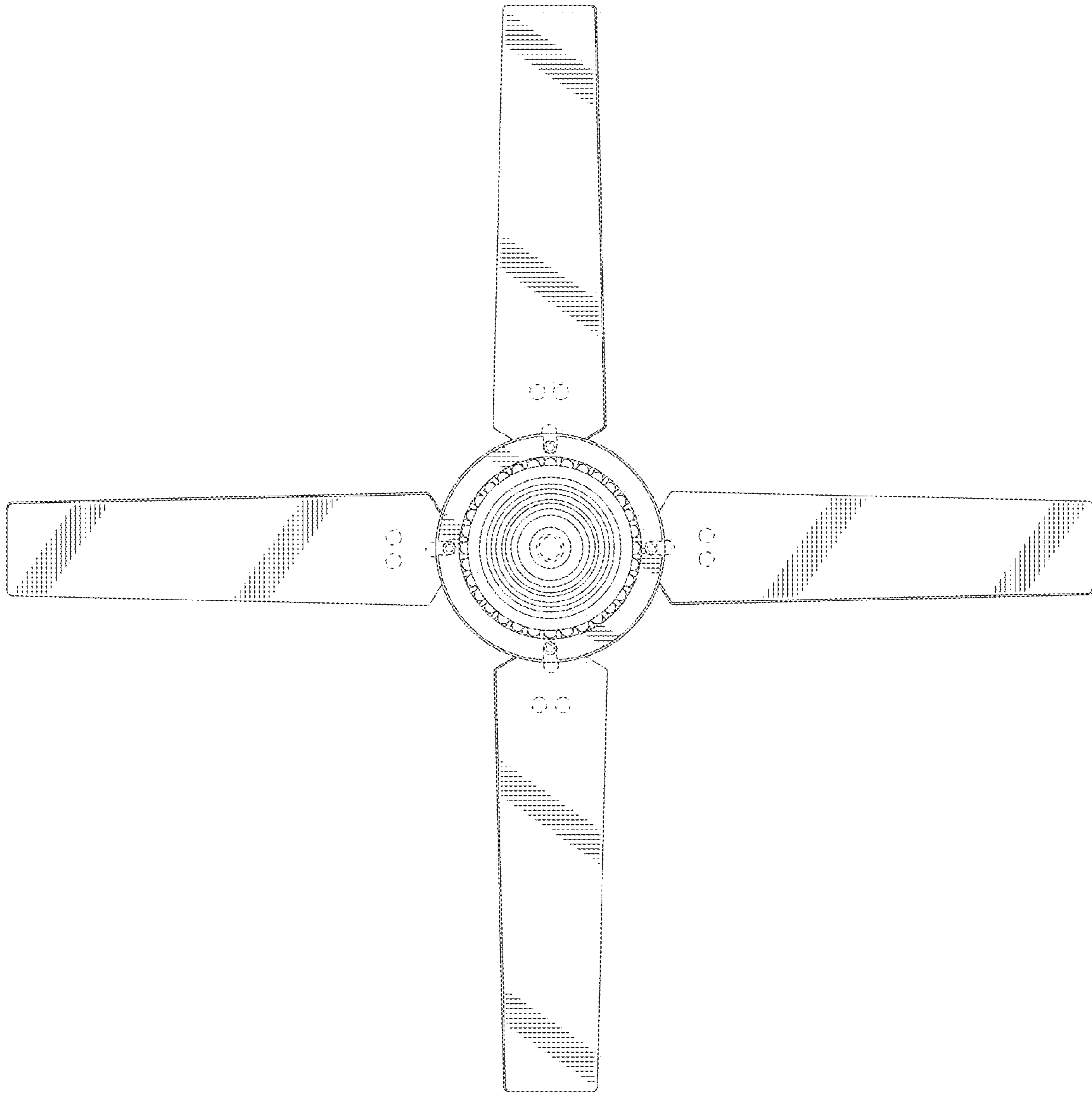


FIG.4

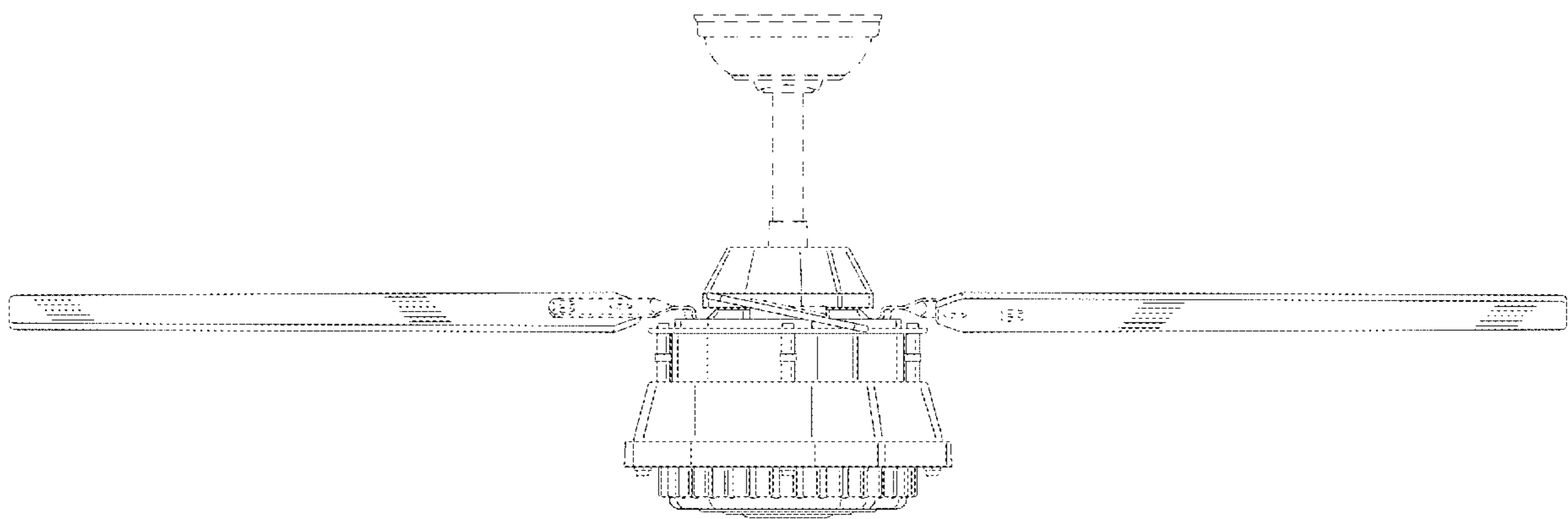


FIG. 5