

US00D872849S

(12) **United States Design Patent**
Holmes

(10) **Patent No.:** **US D872,849 S**

(45) **Date of Patent:** **** Jan. 14, 2020**

(54) **CEILING FAN**

(71) Applicant: **HUNTER FAN COMPANY,**
Memphis, TN (US)

(72) Inventor: **Christine Holmes,** Memphis, TN (US)

(73) Assignee: **Hunter Fan Company,** Memphis, TN
(US)

(**) Term: **15 Years**

(21) Appl. No.: **29/582,455**

(22) Filed: **Oct. 27, 2016**

(51) **LOC (12) Cl.** **23-04**

(52) **U.S. Cl.**
USPC **D23/377**

(58) **Field of Classification Search**
USPC D23/370, 377, 385, 411; D26/59
See application file for complete search history.

(56) **References Cited**

U.S. PATENT DOCUMENTS

D358,877 S	5/1995	Tsuji
D376,004 S	11/1996	Tsuji
D388,871 S	1/1998	Jack
D409,301 S	5/1999	Thomas
D461,889 S	8/2002	Tang
D464,132 S	10/2002	Campbell
D478,381 S	8/2003	Tai
D480,796 S	10/2003	Young
D507,826 S	7/2005	Young
D547,433 S	7/2007	Wang
D559,378 S	1/2008	Frampton
D595,404 S	6/2009	Pan
D598,091 S	8/2009	Orozco
D627,870 S	11/2010	Wang
D671,635 S	11/2012	Pan
D705,922 S	5/2014	Wang
D707,347 S	6/2014	Wang

D707,348 S	6/2014	Pan	
D710,988 S	8/2014	Pan	
D744,080 S	11/2015	Wang	
D745,134 S	12/2015	Wang	
D804,634 S	* 12/2017	Holmes D23/377
D805,624 S	* 12/2017	O'Connell D23/377
D809,644 S	* 2/2018	Holmes D23/377
D810,912 S	* 2/2018	McRoberts D23/377

(Continued)

OTHER PUBLICATIONS

<http://kingoffans.com/#/products>, Item Specification for Sibley, Model No. 46800, Accessed on Oct. 27, 2016.

(Continued)

Primary Examiner — Janice Hallmark

(74) *Attorney, Agent, or Firm* — McGarry Bair PC

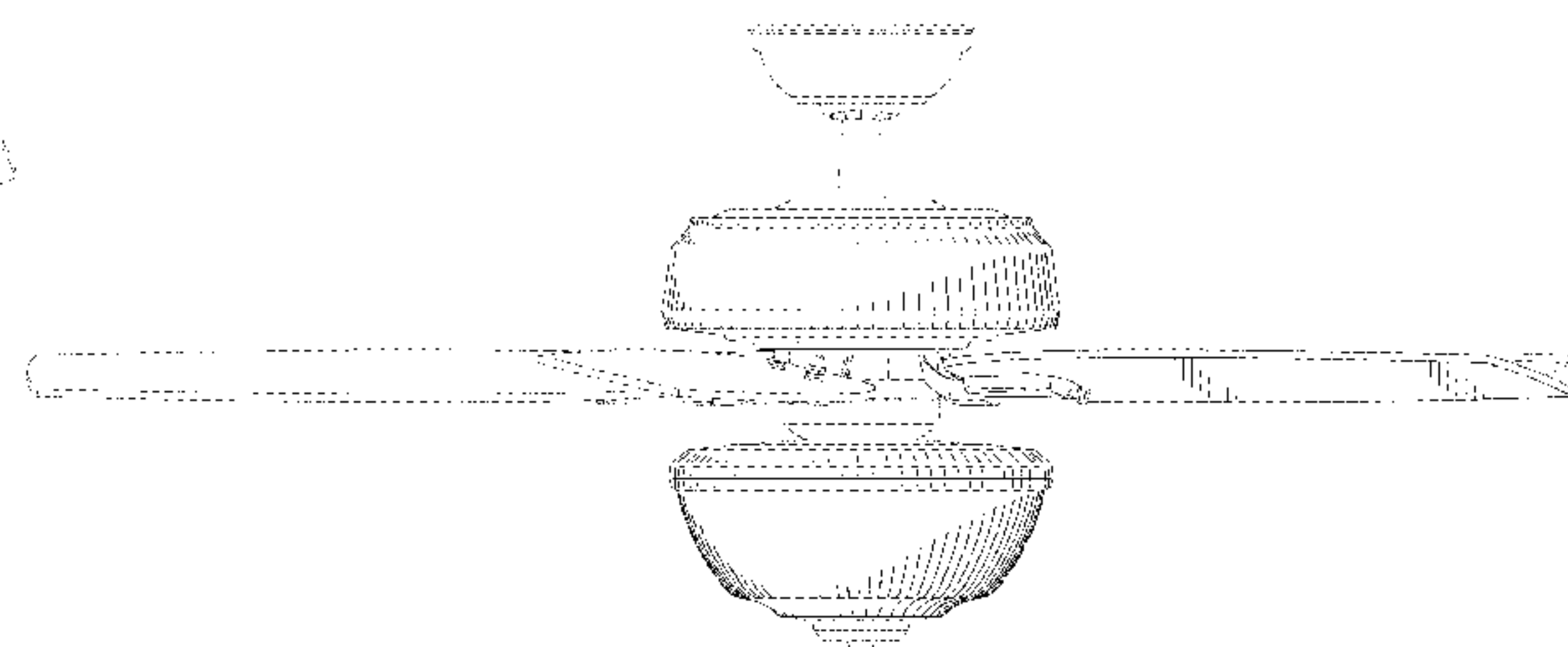
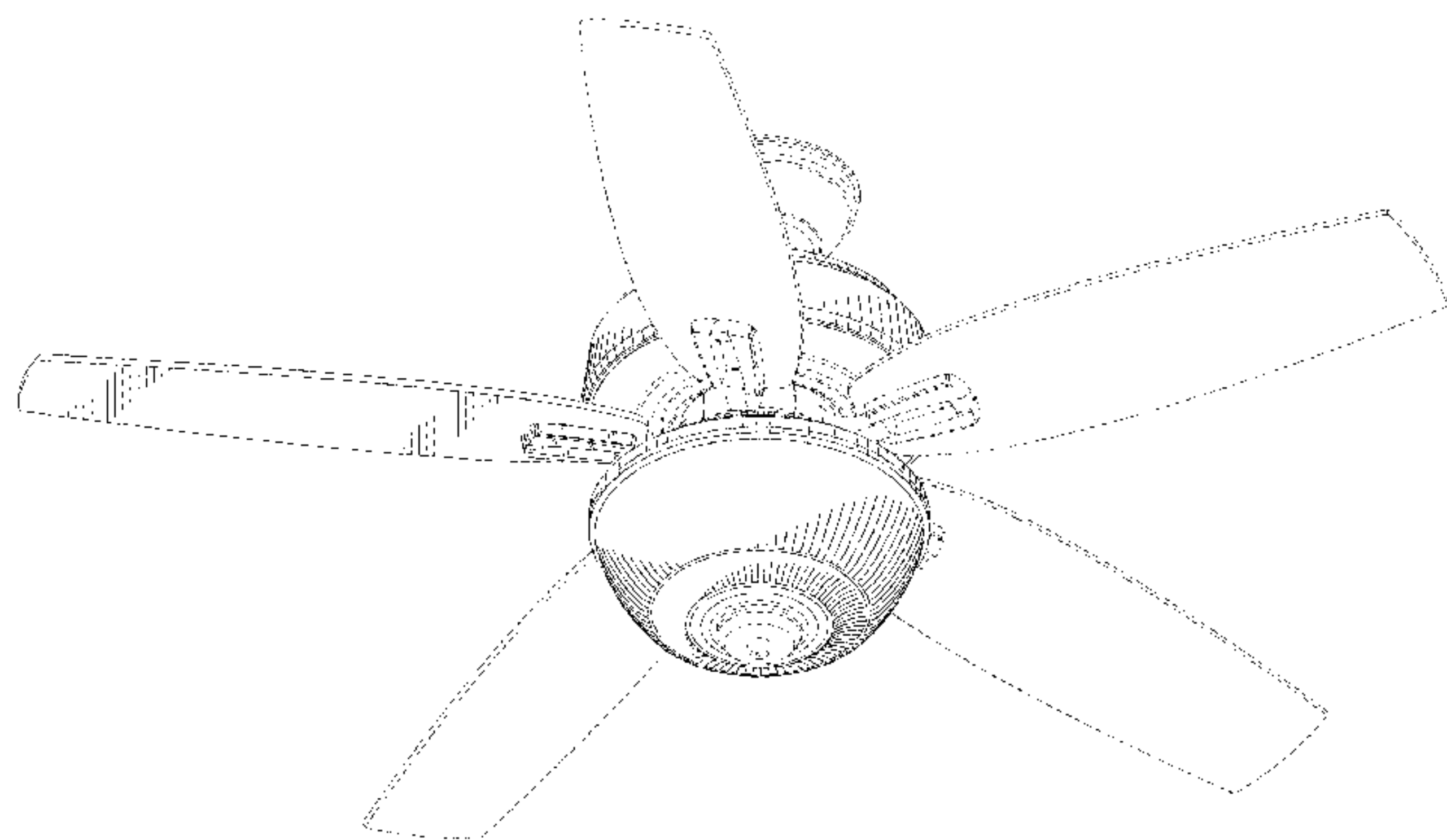
(57) **CLAIM**

The ornamental design for a ceiling fan, as shown and described.

DESCRIPTION

FIG. 1 is a top perspective view of a ceiling fan showing my new design;
FIG. 2 is a bottom perspective view of the ceiling fan of FIG. 1;
FIG. 3 is a top view of the ceiling fan of FIG. 1;
FIG. 4 is a bottom view of the ceiling fan of FIG. 1;
FIG. 5 is a right side view of the ceiling fan of FIG. 1;
FIG. 6 is a rear side view of the ceiling fan of FIG. 1;
FIG. 7 is a left side view of the ceiling fan of FIG. 1; and,
FIG. 8 is a front side view of the ceiling fan of FIG. 1.
Portions of the ceiling fan are shown in broken lines. Portions of the ceiling fan shown in broken lines form no part of the claimed design.

1 Claim, 8 Drawing Sheets



(56)

References Cited

U.S. PATENT DOCUMENTS

D810,916 S * 2/2018 Holmes D23/377
 D827,805 S * 9/2018 Biancuzzo D23/377

OTHER PUBLICATIONS

<http://www.craftmade.com/Craftmade-CN52OBG5-Oiled-Bronze-Gilded-Ceiling-Fan.HTM>, Item Specification for Copeland, Model No. CN52OBG5, Accessed on Oct. 27, 2016.

<http://www.craftmade.com/Craftmade-FZA52OB5C1-Oiled-Bronze-Ceiling-Fan.HTM>, Item Specification for Forza, Model No. FZA52OB5C1, Accessed on Oct. 27, 2016.

<http://www.craftmade.com/Ellington-Fans-PNB52OBG5-Oiled-Bronze-Gilded-Ceiling-Fan.HTM>, Item Specification for Carftmade Ellington Penbrooke, Model No. PNB52OBG5, Accessed on Oct. 27, 2016.

<http://www.kichler.com/products/product/52-inch-canfield-pro-fan-obb-337016obb.aspx>, Item Specification for Kichler Canfield Pro Collection 52 Inch Canfield Pro Fan OBB, Model No. 337016OBB, Accessed on Oct. 27, 2016.

<http://www.kichler.com/products/product/60-terra-select-ceiling-fan-ni-330250ni.aspx>, Item Specification for Kichler Terra Select Collection 60" Terra Select Ceiling Fan NI, Model No. 330250NI, Accessed on Oct. 27, 2016.

<http://www.homedepot.com/p/Hampton-Bay-Langston-60-in-Oil-Rubbed-Bronze-Ceiling-Fan-YG215D-ORB/100665880>, Item Specification for Hampton Bay Langston 60 in. Oil Rubbed Bronze Ceiling Fan, Model No. YG215D-ORB, Accessed on Oct. 27, 2016.

<http://www.homedepot.com/p/Hampton-Bay-Gazebo-II-52-in-Indoor-Outdoor-Natural-Iron-Ceiling-Fan-YG188-NI/202528706>, Item Specification for Hampton Bay Gazebo II 52 in. Indoor/Outdoor Natural Iron Ceiling Fan, Model No. YG188-NI, Accessed on Oct. 27, 2016.

<http://www.montecarlofans.com/50813/60-Colony-Super-Max-Plus--Rubberized-White-5CSM60RZWD.html>, Item Specification for Monte Carlo 60" Colony Super Max Plus, Model No. 5CSM60RZWD, Accessed on Oct. 27, 2016.

<http://www.hunterfan.com/Ceiling-Fans/Holden?ModelNumber=51064>, Item Specification for Hunter Fan Holden 44" Ceiling Fan, Model No. 51064, Accessed on Oct. 27, 2016.

<http://www.hunterfan.com/Ceiling-Fans/Hartwell?ModelNumber=51067>, Item Specification for Hunter Fan Hartwell 46" Ceiling Fan, Model No. 51067, Accessed on Oct. 27, 2016.

<http://www.hunterfan.com/Ceiling-Fans/Anfield?ModelNumber=5326>, Item Specification for Hunter Fan Anfield 54" Ceiling Fan, Model No. 53265, Accessed on Oct. 27, 2016.

<http://www.hunterfan.com/Ceiling-Fans/Donagan-Bowl-Light?ModelNumber=52227>, Item Specification for Hunter Fan Donagan Bowl Light 44" Ceiling Fan, Model No. 52227, Accessed on Oct. 27, 2016.

<http://www.hunterfan.com/Ceiling-Fans/Estate-Winds?ModelNumber=54165>, Item Specification for Hunter Fan Estate Winds—56" Ceiling Fan, Model No. 54165, Accessed on Oct. 27, 2016.

<http://www.hunterfan.com/Ceiling-Fans/Builder-Small-Room?ModelNumber=52219>, Item Specification for Hunter Fan Builder Small Room—Bowl—42" Ceiling Fan, Model No. 52219, Accessed on Oct. 27, 2016.

<http://www.hunterfan.com/Ceiling-Fans/Denali?ModelNumber=53273>, Item Specification for Hunter Fan Denali—54" Ceiling Fan, Model No. 53273, Accessed on Oct. 27, 2016.

<http://www.kingoffans.com/#/products>, Item Specification for Cabrera, Model No. 61375, Accessed on Oct. 27, 2016.

<http://www.kingoffans.com/#/products>, Item Specification for Clarington, Model No. 613963, Accessed on Oct. 27, 2016.

<http://www.kingoffans.com/#/products>, Item Specification for Lynwood Model No. 36945 Accessed on Oct. 27, 2016.

<http://www.kichler.com/products/product/52-inch-monarch-ii-select-fan-oz-339213oz.aspx>, Kichler Monarch II Select Collection 52 Inch Monarch II Select Fan OZ, Model No. 339213OZ, Accessed on Oct. 27, 2016.

<http://www.lowes.com/pd/Harbor-Breeze-Easy-Breeze-54-in-Antique-Bronze-Downrod-or-Close-Mount-Indoor-Ceiling-Fan-with-LED-Light-Kit-ENERGY-STAR/1000085121>, Item Specification for Harbor Breeze Easy Breeze 54-in Antique Bronze Downrod or Close Mount Indoor Ceiling Fan with LED Light Kit, Model No. 887, Accessed on Oct. 27, 2016.

<http://www.homedepot.com/p/Hampton-Bay-Lynwood-52-in-Oil-Rubbed-Bronze-Indoor-Ceiling-Fan-36945/100630837>, Item Specification for Hampton Bay Lynwood 52 in. Oil Rubbed Bronze Indoor Ceiling Fan, Model No. 36945, Accessed on Oct. 27, 2016.

<http://www.quoruminternational.com/index.cfm/app/productDetail?product=77525-9508>, Item Specification for Quorum Capri Studio White Ceiling Fan, Model No. 77525-9508, Accessed on Oct. 27, 2016.

<http://www.minkagroup.net/products/f614-pi>, Item Specification for Minka Group Timeless, Model No. F614-PI, Accessed on Oct. 27, 2016.

<http://www.minkagroup.net/products/f513-orb>, Item Specification for Minka Group New Era, Model No. 1513-ORB, Accessed on Oct. 27, 2016.

<http://www.minkagroup.net/products/f539-orb>, Item Specification for Minka Group Great Room Traditional, Model No. F539-ORB, Accessed on Oct. 27, 2016.

<http://www.craftmade.com/Craftmade-B552C-W-Ceiling-Fan-Blades.HTM>, Item Specification for Craftmade Contour Series, Model No. B552C-W, Accessed on Oct. 27, 2016.

<http://ceilingfans.emerson.com/shop/en/fan/fan-s-all/fans-s-browse-all/22-solid-wood-blades-fan-b77nc>, Item Specification for Emerson 22" Solid Wood Blades, Model No. B77NC, Accessed on Oct. 27, 2016.

<http://www.kichler.com/products/product/climates-blade-set-371012.aspx>, Item Specification for Kichler Climates Blade Set, Model No. 371012, Accessed on Oct. 27, 2016.

<http://www.hunterfan.com/Ceiling-Fans/Meridale?ModelNumber=53306>, Item Specification for Hunter Fan Meridale—52" Ceiling Fan, Model No. 53306.

* cited by examiner

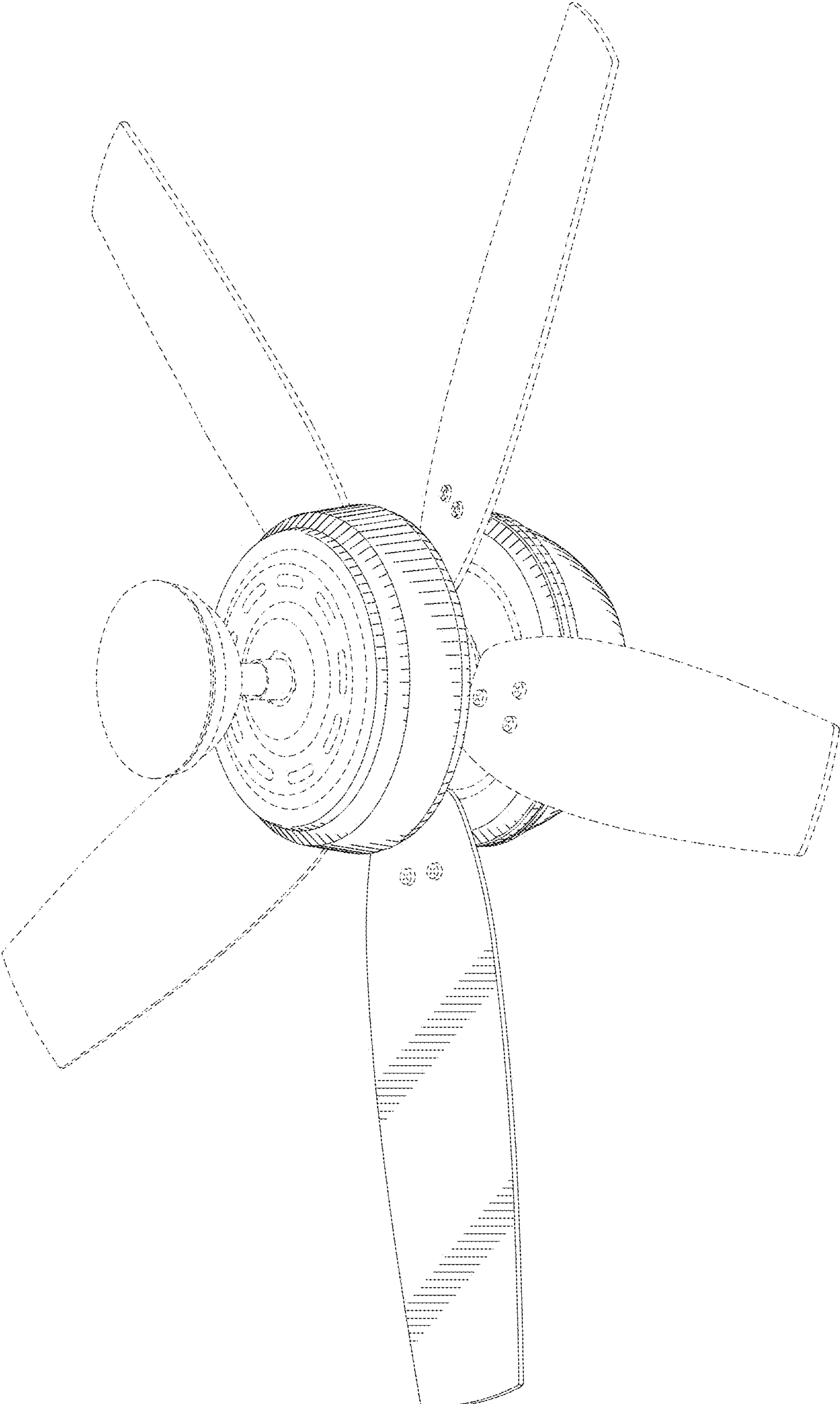


FIG. 1

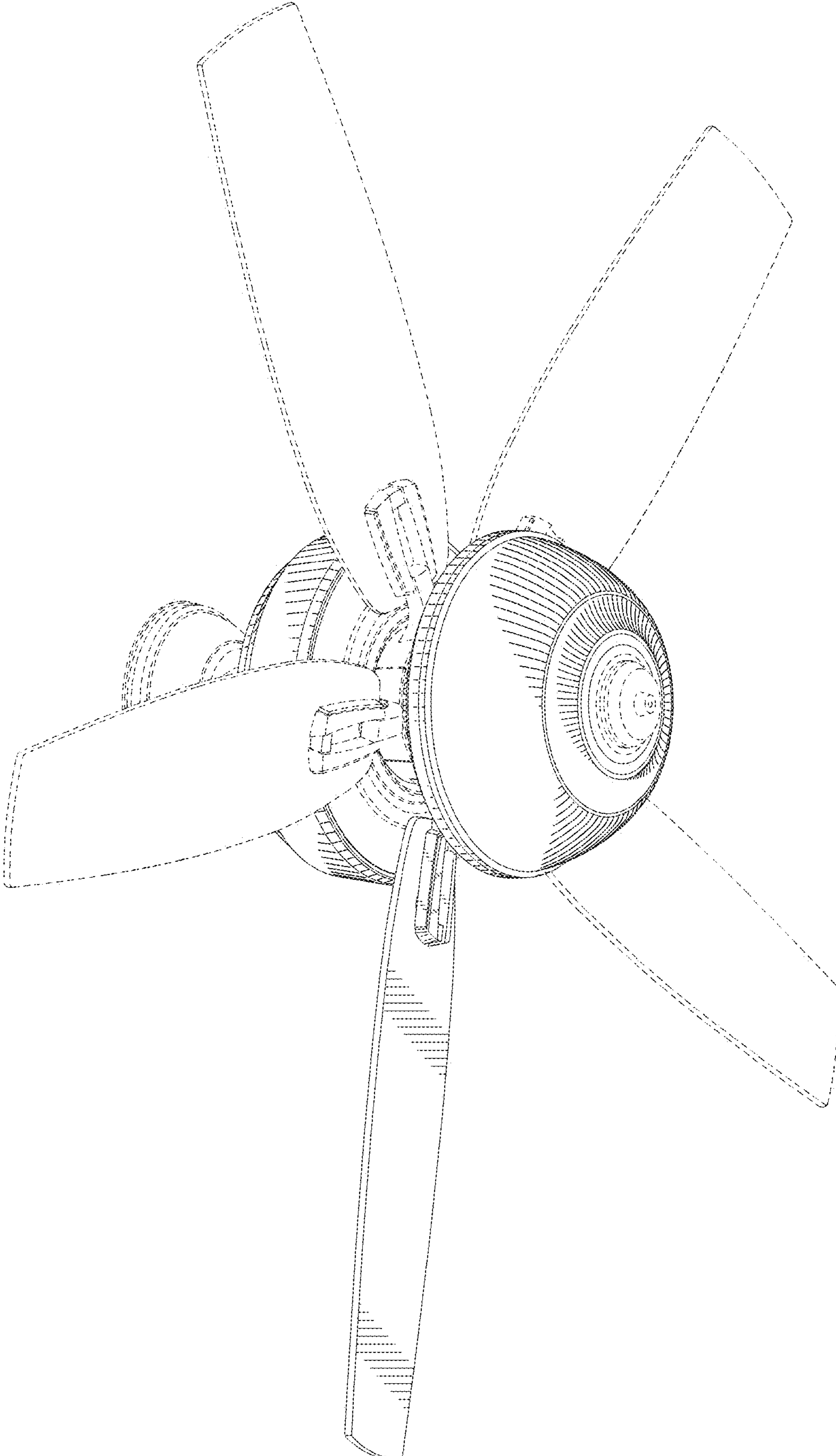


FIG. 2

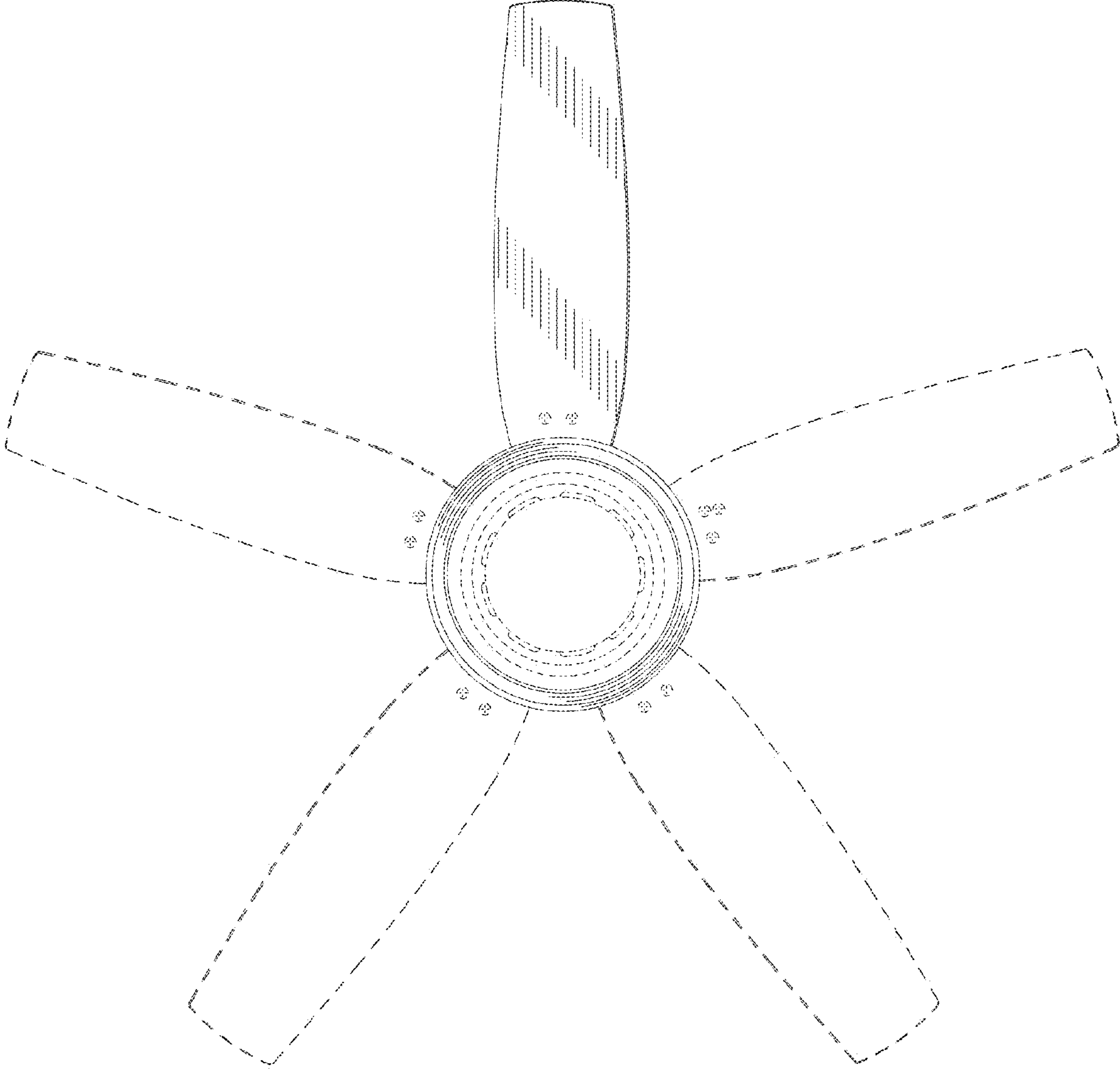


FIG.3

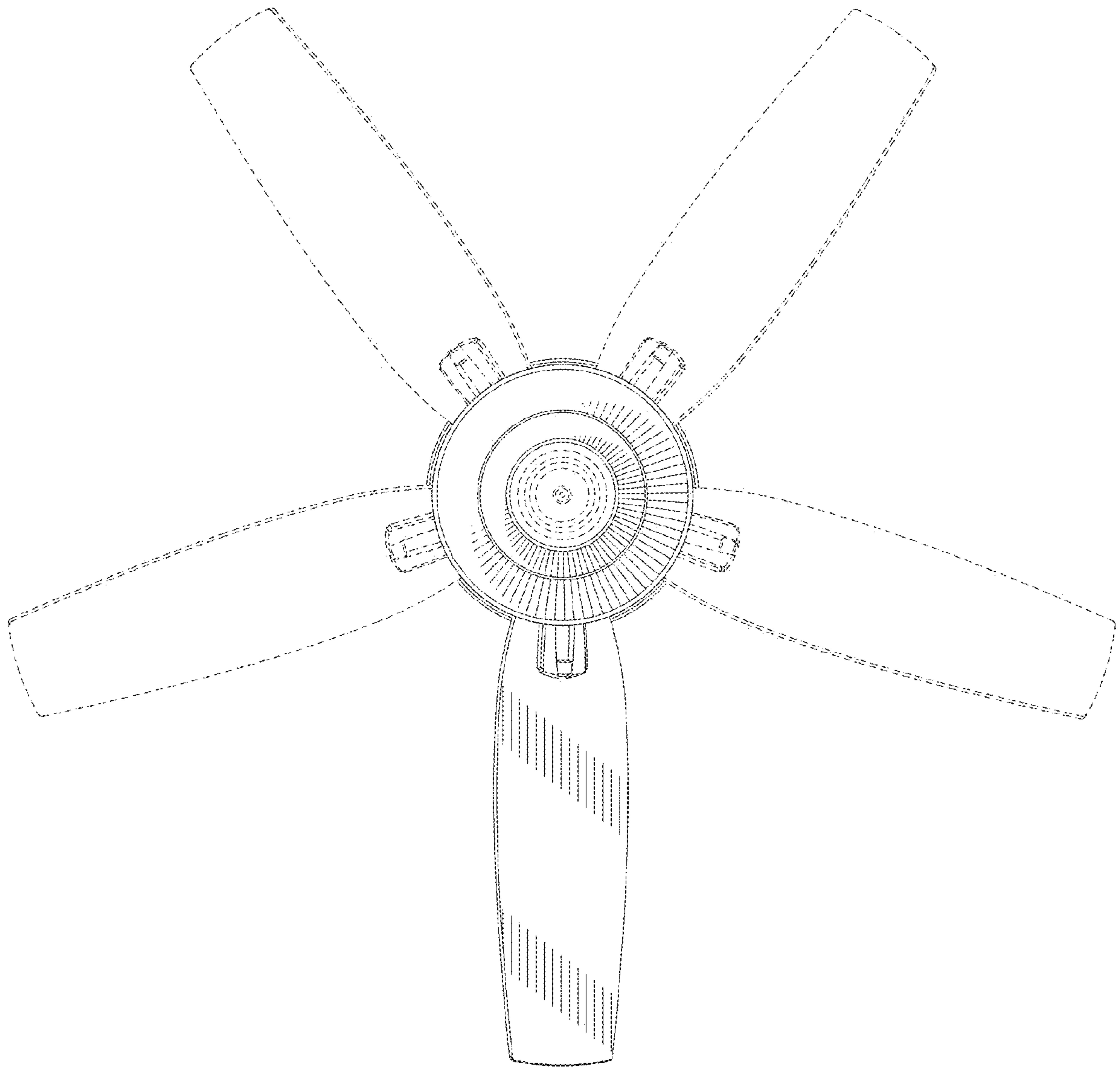


FIG.4

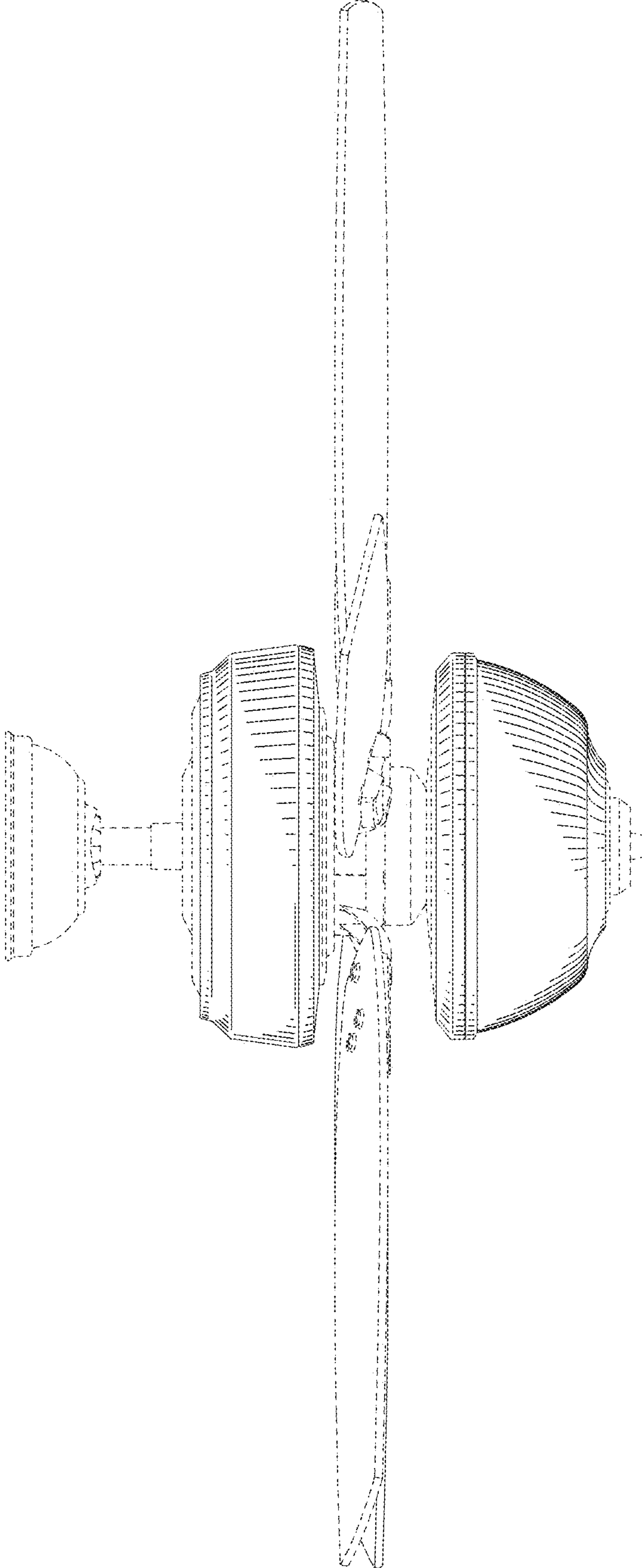


FIG. 5

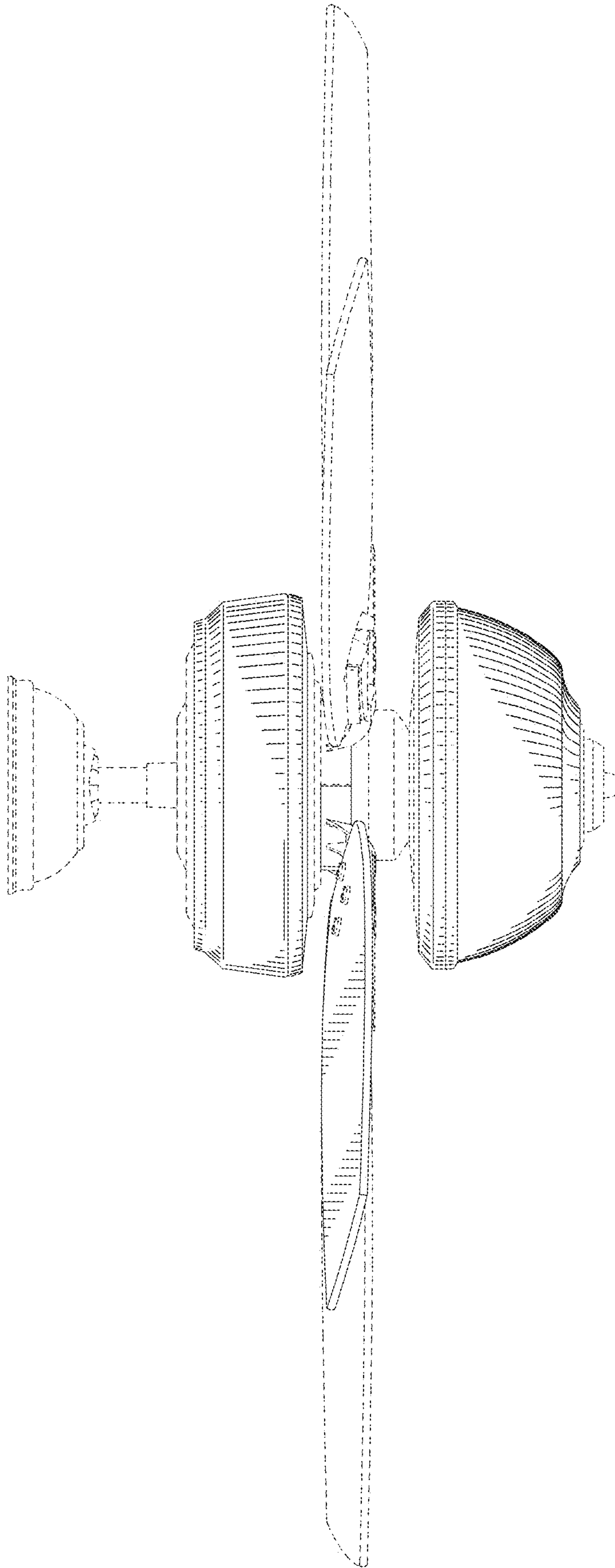


FIG. 6

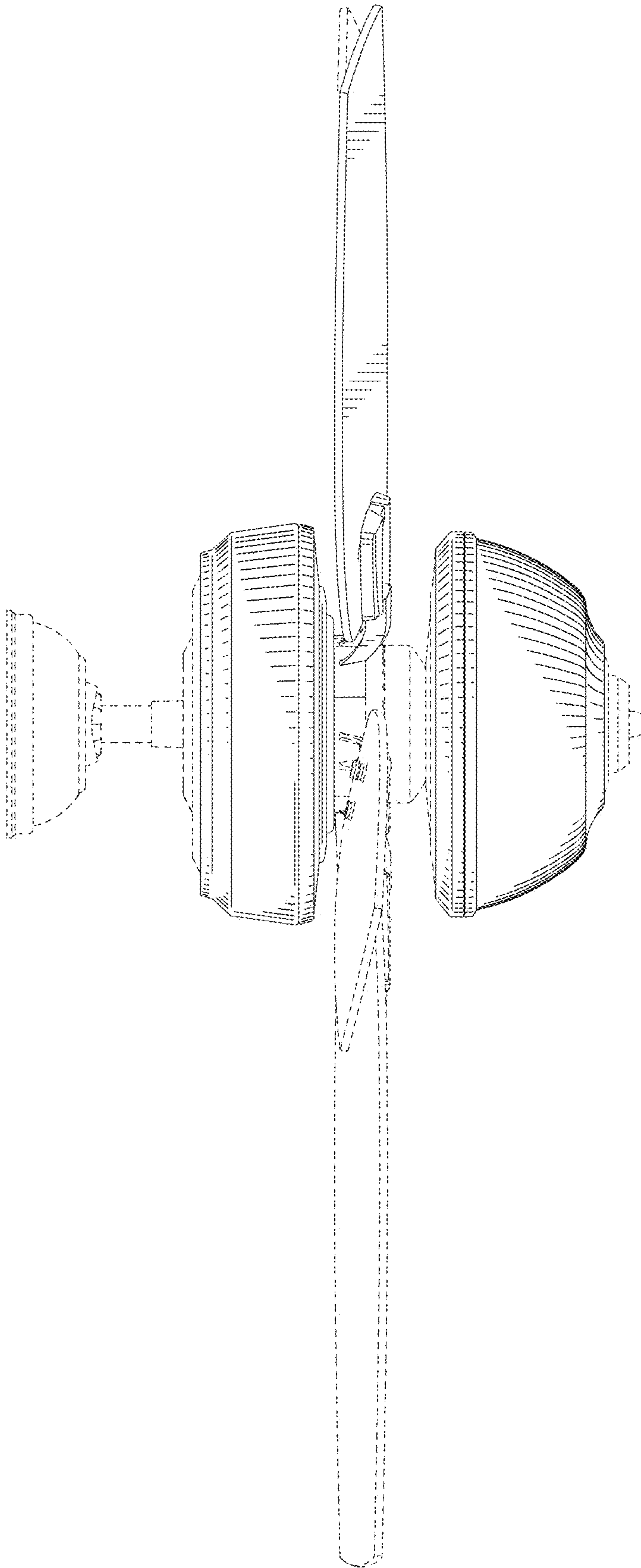


FIG. 7

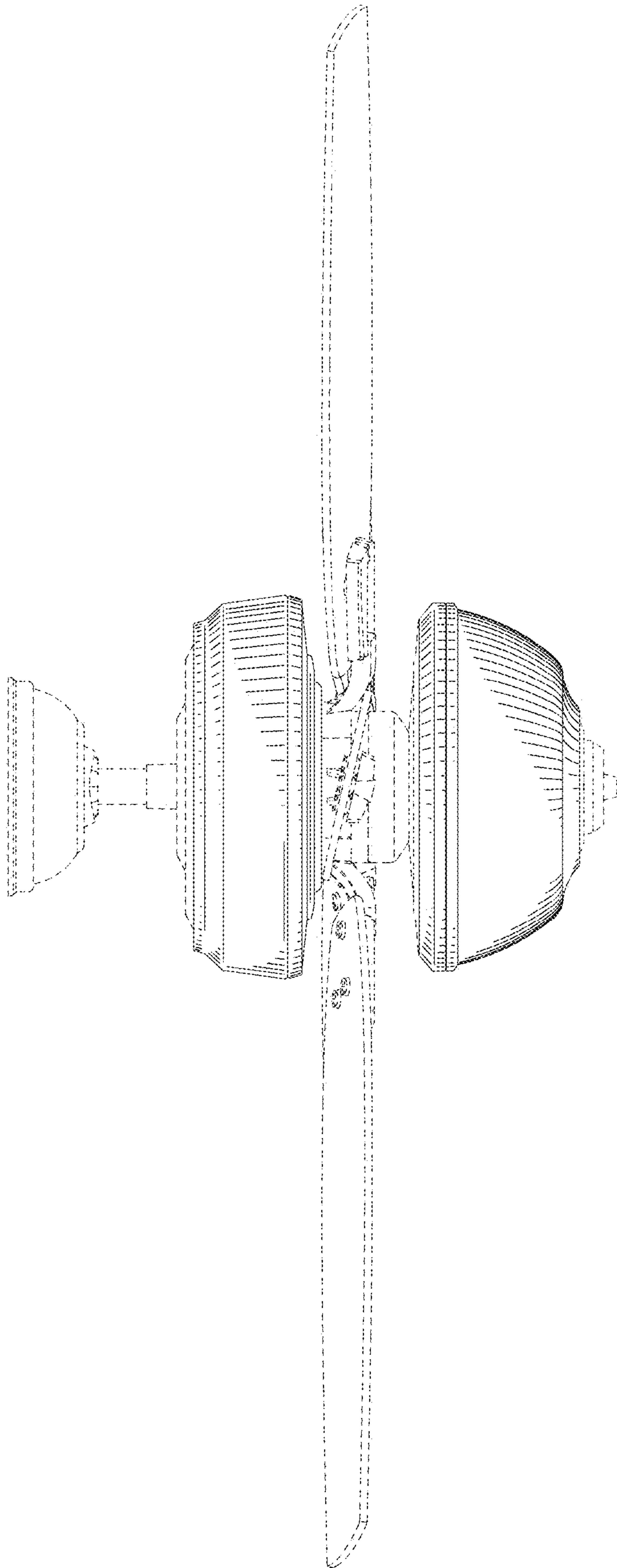


FIG. 8