



US00D872848S

(12) **United States Design Patent**
Gobber et al.

(10) **Patent No.:** **US D872,848 S**
(45) **Date of Patent:** **** Jan. 14, 2020**

- (54) **DIFFUSING EVAPORATOR OF ACTIVE SUBSTANCES**
- (71) Applicant: **ZOBELE HOLDING SPA**, Trento (IT)
- (72) Inventors: **Cedric Gobber**, Barcelona (ES);
Joaquim Llorente Alonso, Barcelona (ES)
- (73) Assignee: **ZOBELE HOLDING SPA**, Trento (IT)
- (**) Term: **15 Years**

D536,979 S *	2/2007	Caserta	D9/522
D536,980 S *	2/2007	Smith	D9/520
D537,351 S *	2/2007	Caserta	D9/522
D626,845 S *	11/2010	De Haan	D9/520
D642,923 S *	8/2011	Newton	D9/522
D642,924 S *	8/2011	Newton	D9/443
D643,296 S *	8/2011	Newton	D9/522
D682,110 S *	5/2013	Gonzalez	D9/522
D694,634 S *	12/2013	Sordo	D23/366
D799,977 S *	10/2017	King	D9/571
2014/0093224 A1 *	4/2014	Deflorian	A01M 1/2077 392/395

- (21) Appl. No.: **29/663,582**
- (22) Filed: **Sep. 17, 2018**
- (30) **Foreign Application Priority Data**

Mar. 19, 2018 (ES) 0528055

- (51) **LOC (12) Cl.** **23-04**
- (52) **U.S. Cl.**
USPC **D23/366**; D9/522
- (58) **Field of Classification Search**
USPC D23/208, 209, 355-369, 386; D9/447,
D9/522; D18/56
CPC A61L 9/02; A61L 9/03; A61L 9/12; A61L
9/035; A61L 9/125
See application file for complete search history.

(56) **References Cited**
U.S. PATENT DOCUMENTS

D359,453 S *	6/1995	Gavin	D9/522
D439,319 S *	3/2001	Wolpert	A01M 1/2077 D23/363

* cited by examiner

Primary Examiner — Sheryl Lane
Assistant Examiner — Calvin E Vansant
(74) *Attorney, Agent, or Firm* — Ostrolenk Faber LLP

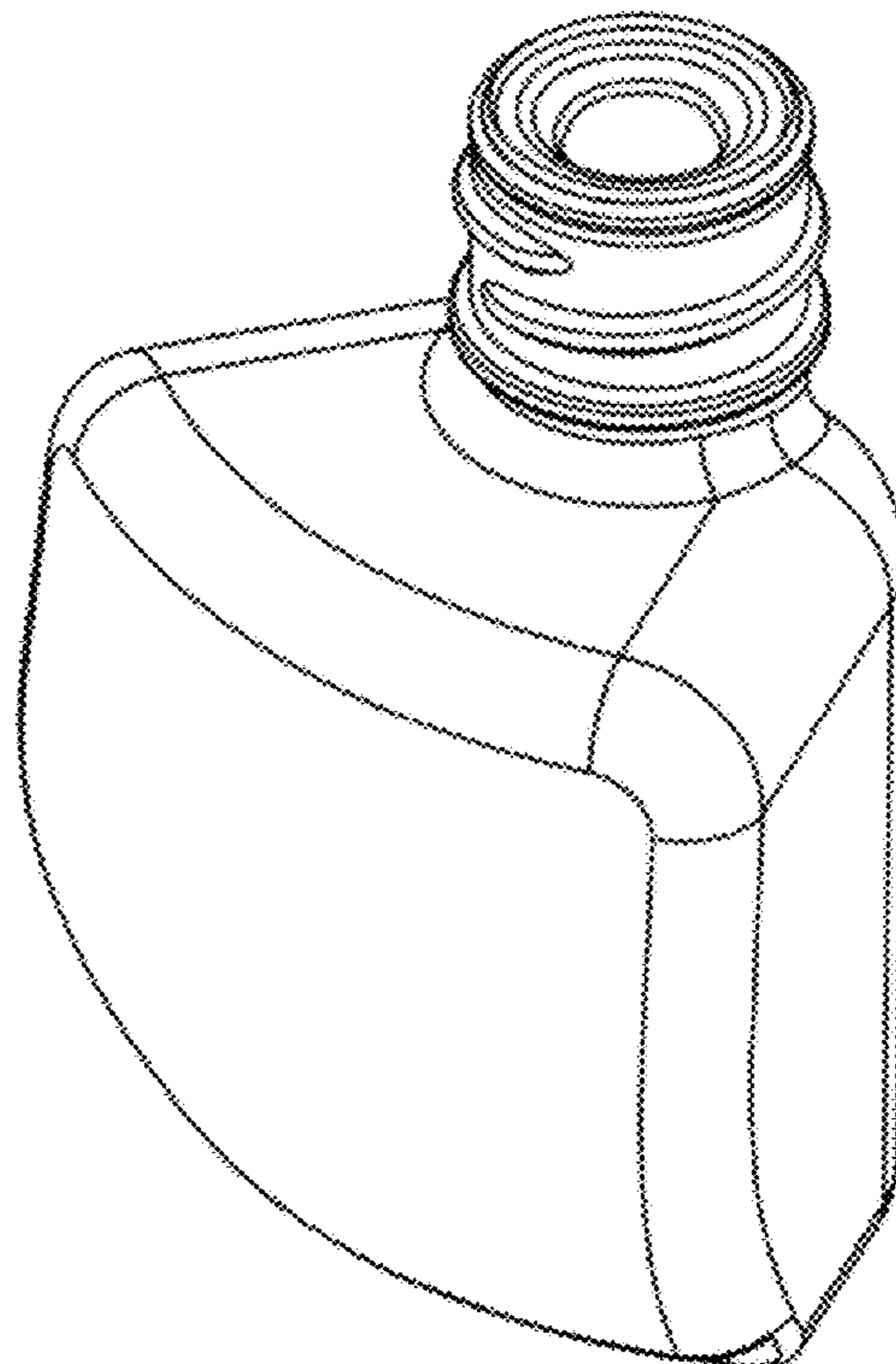
(57) **CLAIM**

The ornamental design for a diffusing evaporator of active substances, as shown and described.

DESCRIPTION

FIG. 1 is a top, front and left side perspective illustration of an evaporator and air freshener, according to an aspect of our new design.
FIG. 2 is a front view illustration thereof.
FIG. 3 is a top view illustration thereof.
FIG. 4 is a left side view illustration thereof.
FIG. 5 is a bottom view illustration thereof; and,
FIG. 6 is a right side view illustration thereof.

1 Claim, 6 Drawing Sheets



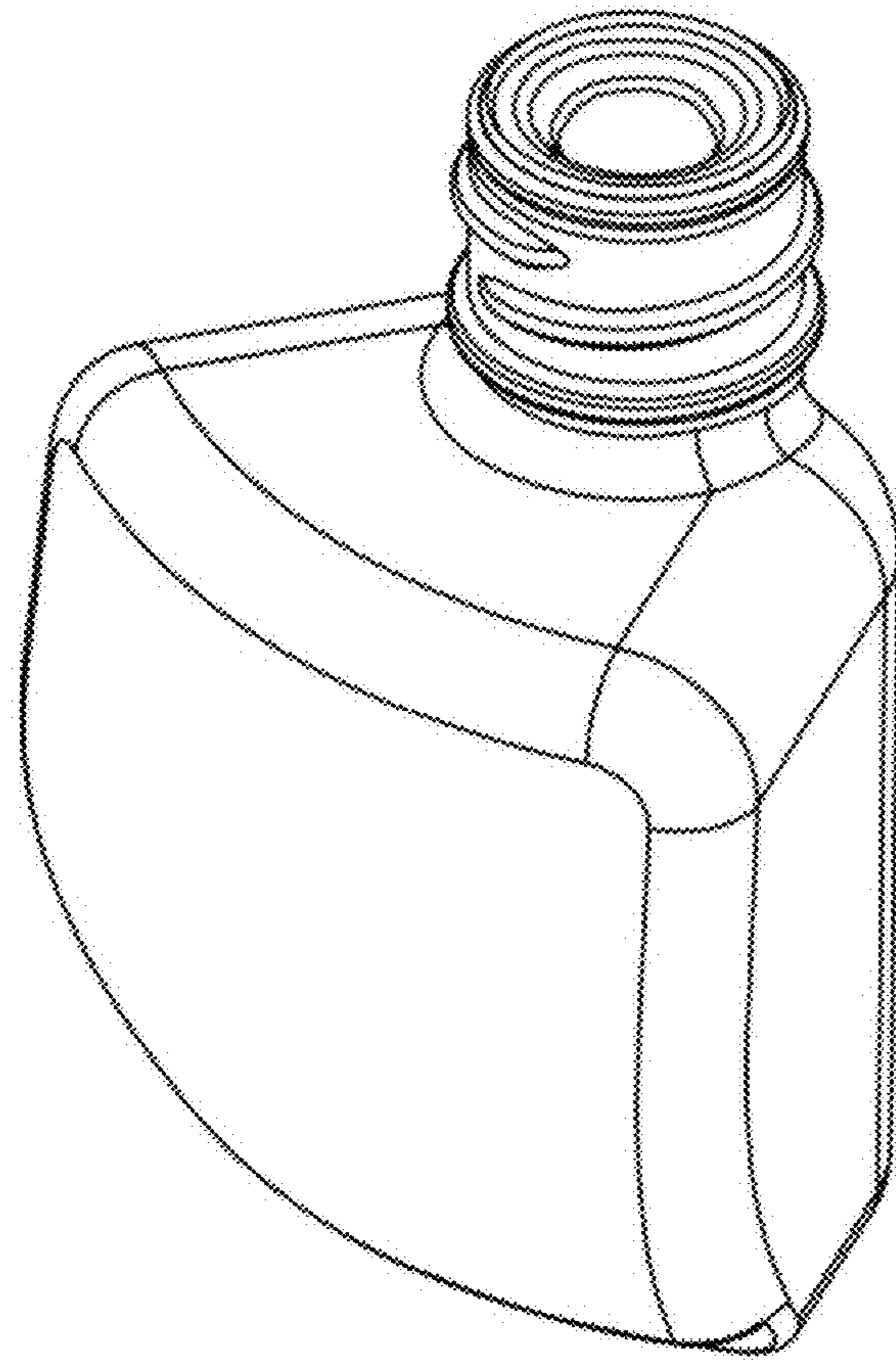


FIG. 1

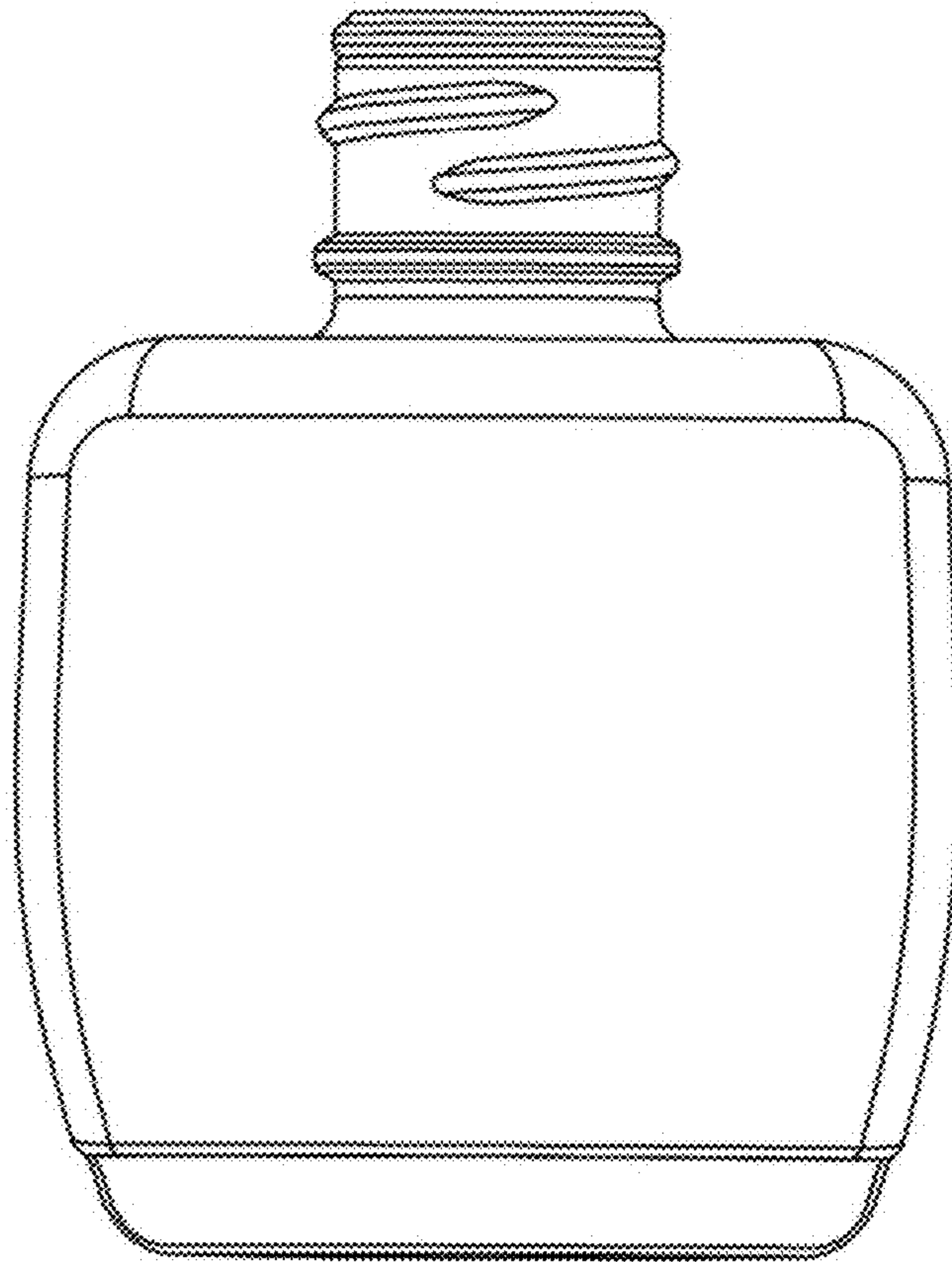


FIG. 2

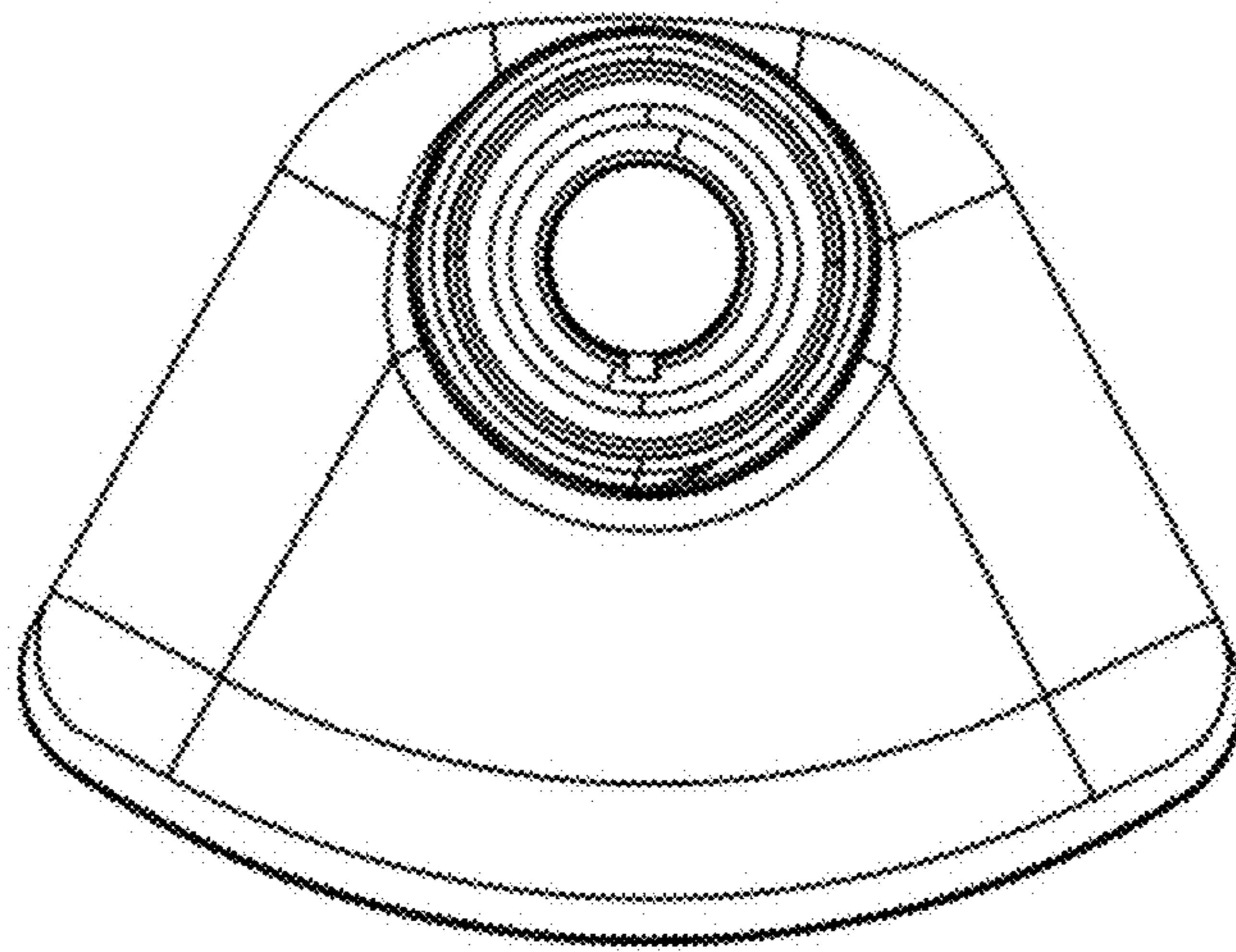


FIG. 3

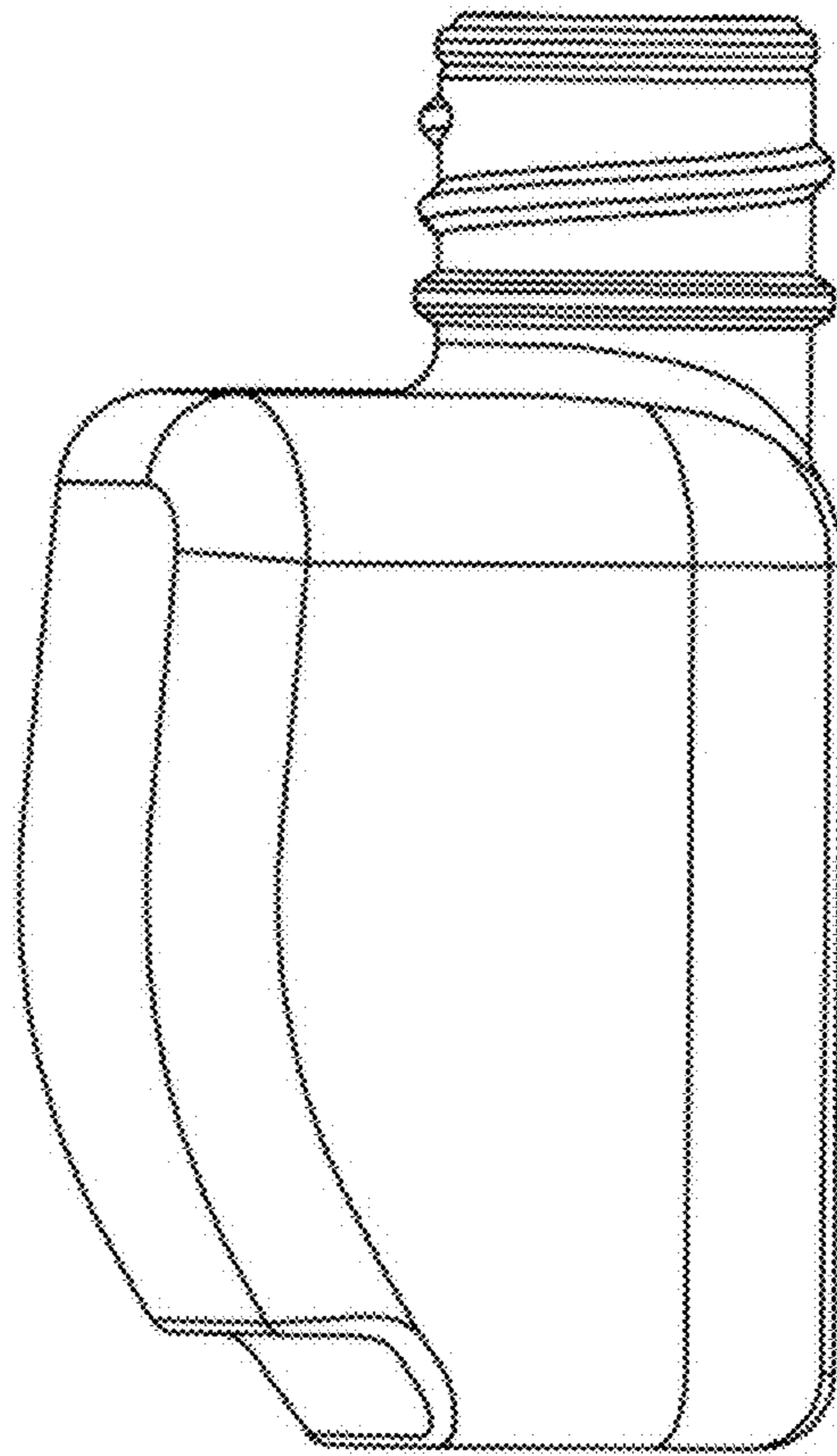


FIG. 4

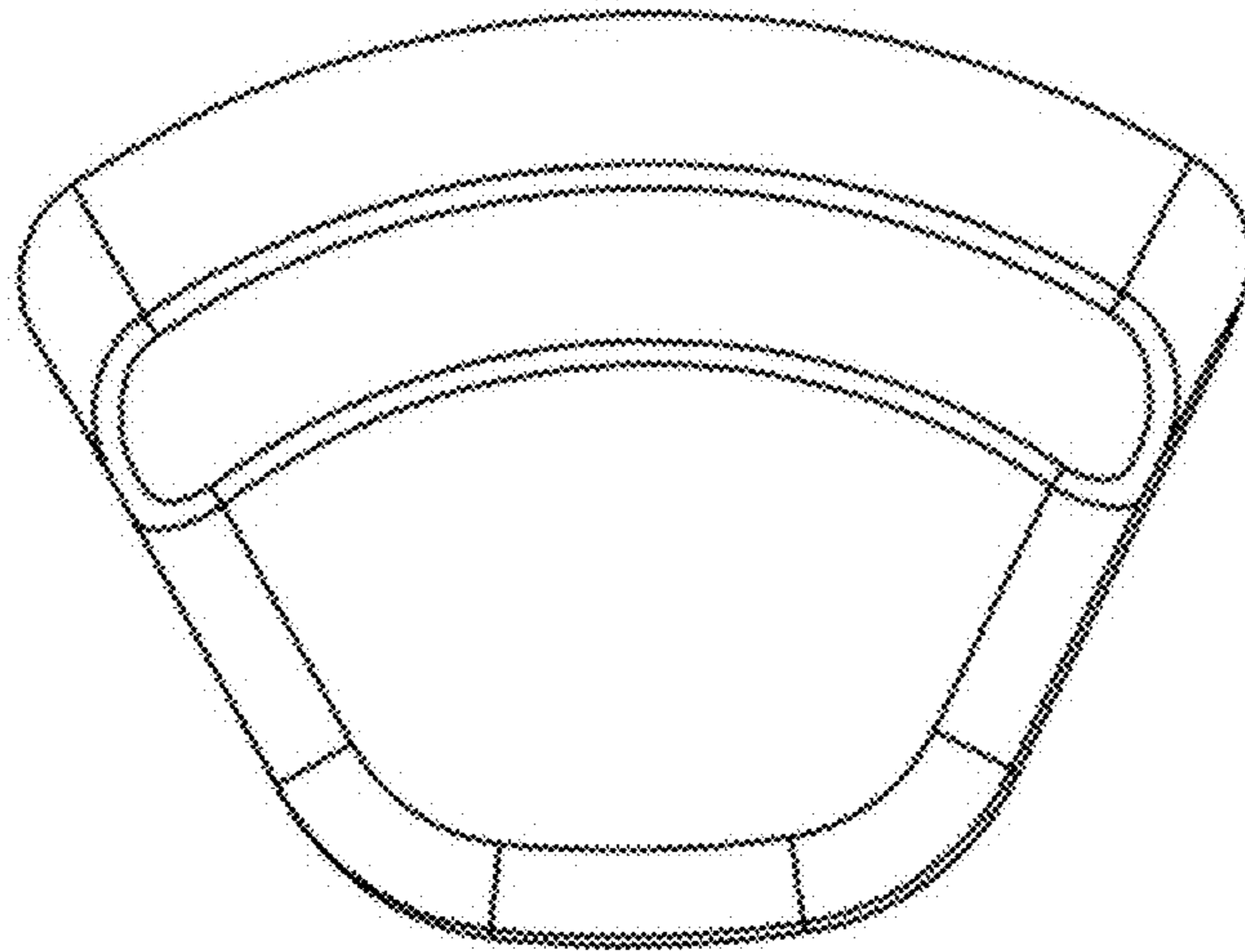


FIG. 5

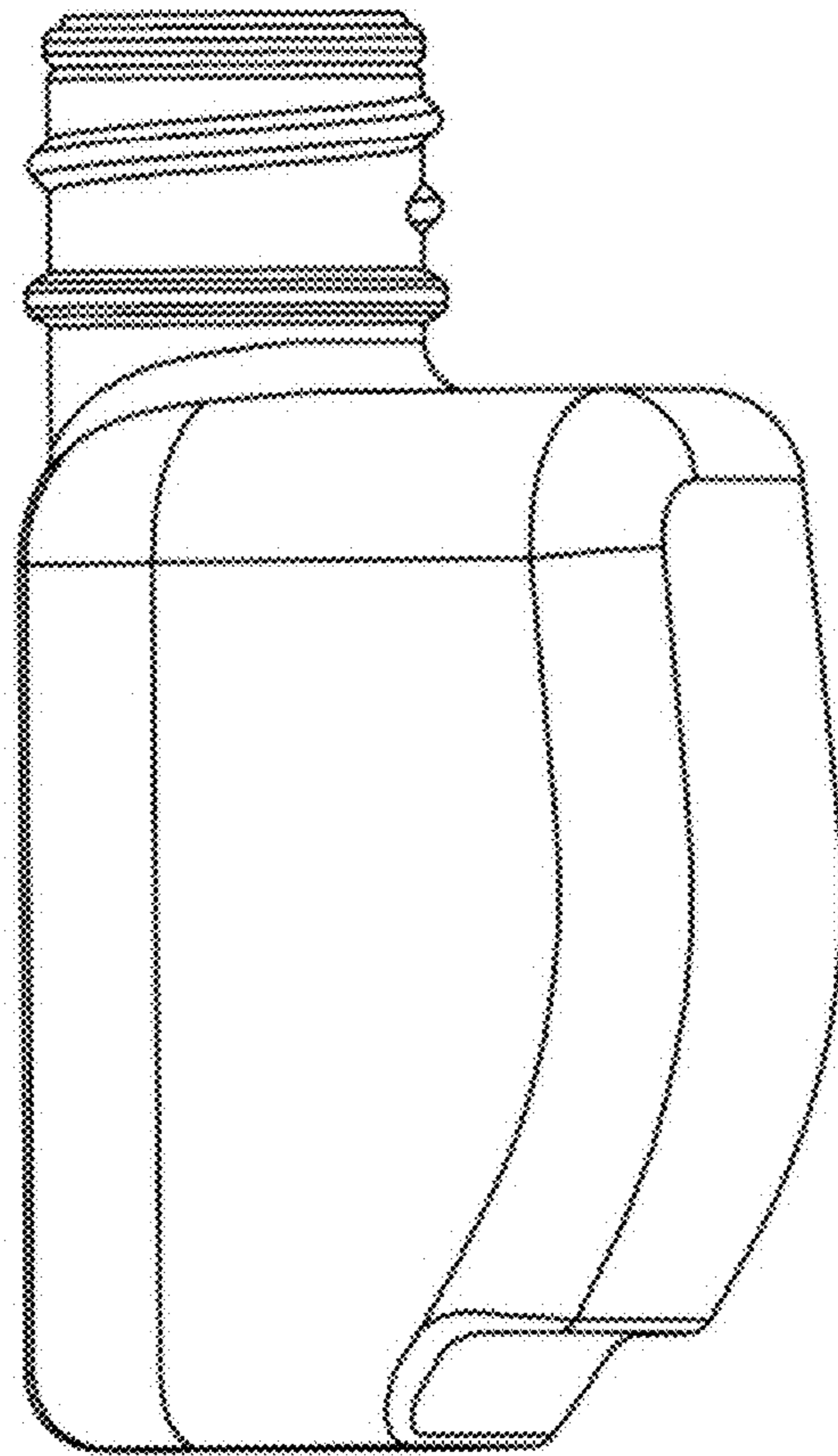


FIG. 6