



US00D872846S

(12) **United States Design Patent**
Jessup et al.

(10) **Patent No.:** **US D872,846 S**
(45) **Date of Patent:** **** Jan. 14, 2020**

- (54) **PORTABLE AIR PURIFIER**
- (71) Applicant: **The Pure Company Global, LLC,**
Dallas, TX (US)
- (72) Inventors: **Deborah Jessup,** Pittsburgh, PA (US);
Chad Recer, Frisco, TX (US)
- (73) Assignee: **THE PURE COMPANY GLOBAL,**
LLC, Dallas, TX (US)
- (**) Term: **15 Years**
- (21) Appl. No.: **29/661,770**
- (22) Filed: **Aug. 30, 2018**
- (51) **LOC (12) Cl.** **23-04**
- (52) **U.S. Cl.**
USPC **D23/364**
- (58) **Field of Classification Search**
USPC D23/355–366, 352, 369, 332, 333, 335,
D23/336, 342, 351; 422/120, 122;
55/356, 473, 504; 96/971; 261/DIG. 17,
261/DIG. 65, DIG. 88, DIG. 31
CPC .. A61L 9/16; A61L 9/22; B01D 47/00; B01D
47/027; B01D 2221/02; B01D 2259/4508;
B03C 3/155; B03C 3/368; F24F 3/16;
F24F 13/20; F24F 13/28
See application file for complete search history.

D807,486 S *	1/2018	Li	D23/366
D808,507 S *	1/2018	Zou	D23/366
D815,270 S *	4/2018	Li	D23/366
D832,414 S *	10/2018	Sharma	D23/364
D834,164 S *	11/2018	Dios	D23/359
D846,106 S *	4/2019	Hu	D23/366
D847,323 S *	4/2019	Gan	D23/356
D849,218 S *	5/2019	Liang	D23/356
D850,596 S *	6/2019	Wu	D23/366
D854,134 S *	7/2019	Jessup	D23/364
D857,868 S *	8/2019	Combs	D23/365

* cited by examiner

Primary Examiner — David G Muller

(74) *Attorney, Agent, or Firm* — Workman Nydegger

(56) **References Cited**

U.S. PATENT DOCUMENTS

- D700,692 S * 3/2014 Engelhardt D23/360
- D716,427 S * 10/2014 Lim D23/364

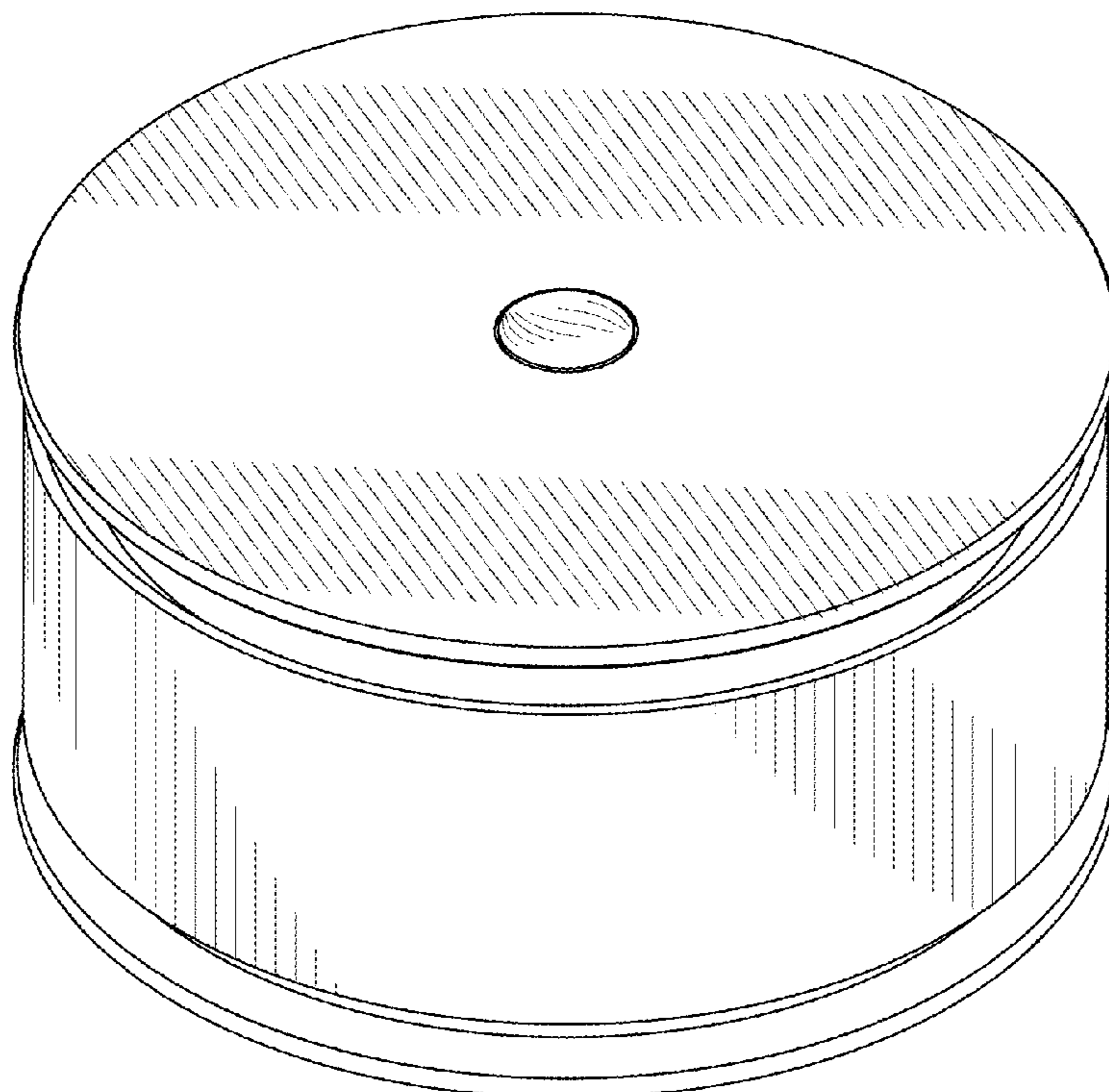
(57) **CLAIM**

The ornamental design for a portable air purifier, as shown and described.

DESCRIPTION

FIG. 1 is a front perspective view of a portable air purifier showing the new design;
 FIG. 2 is a front elevation view thereof;
 FIG. 3 is a back elevation view thereof;
 FIG. 4 is a top plan view thereof;
 FIG. 5 is a bottom plan view thereof;
 FIG. 6 is a right elevation view thereof; and,
 FIG. 7 is a left elevation view thereof.

1 Claim, 4 Drawing Sheets



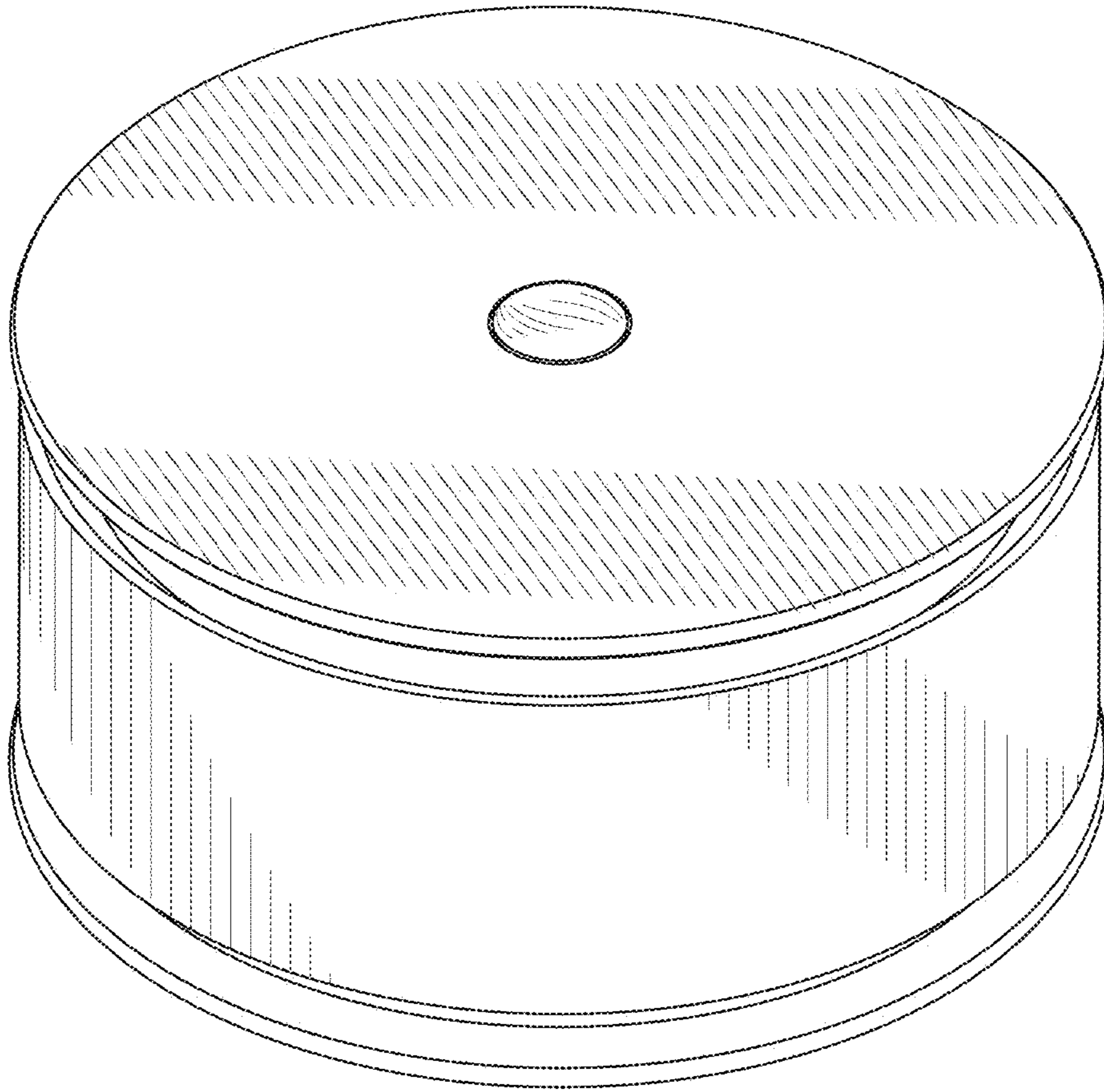


FIG. 1

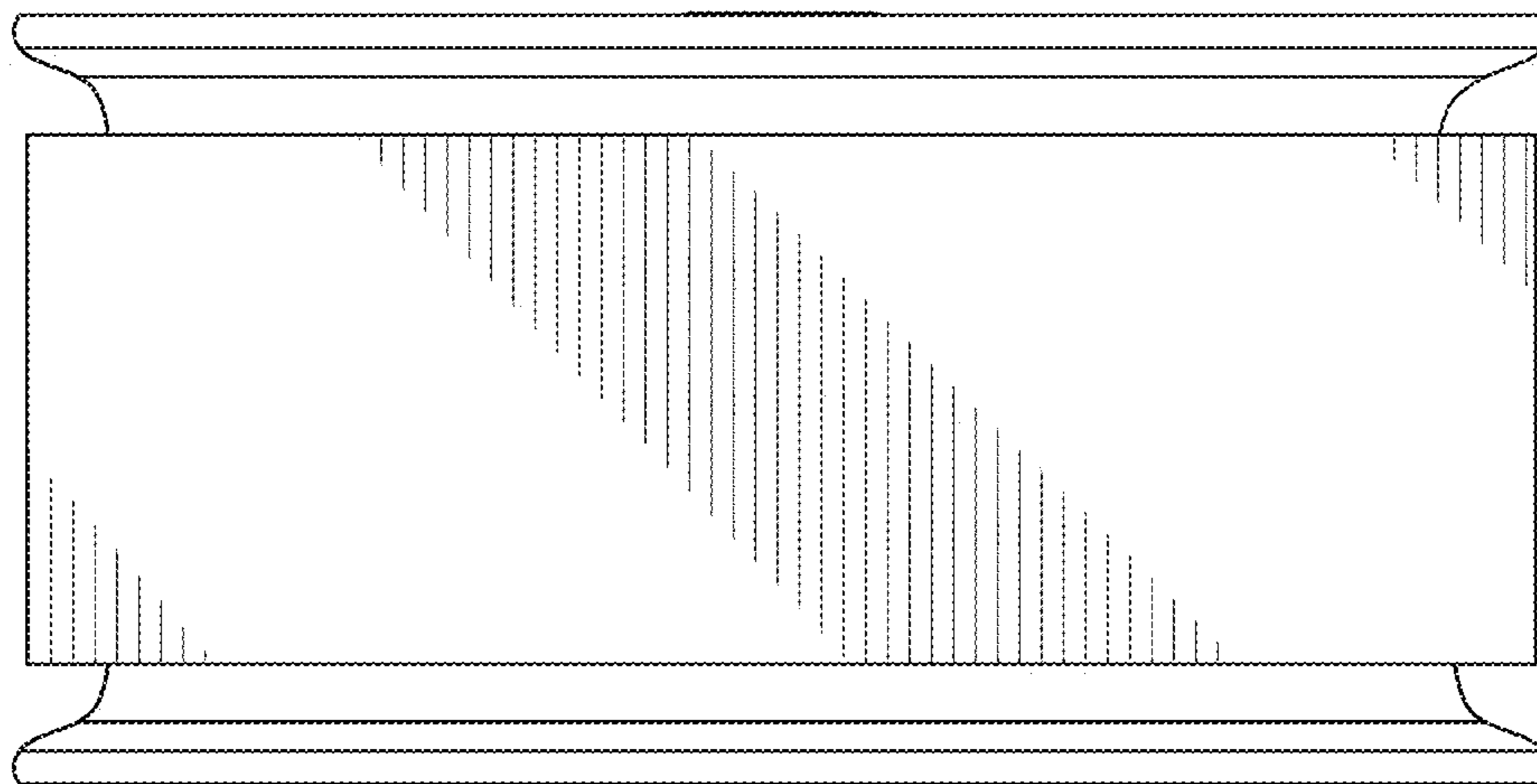


FIG. 2

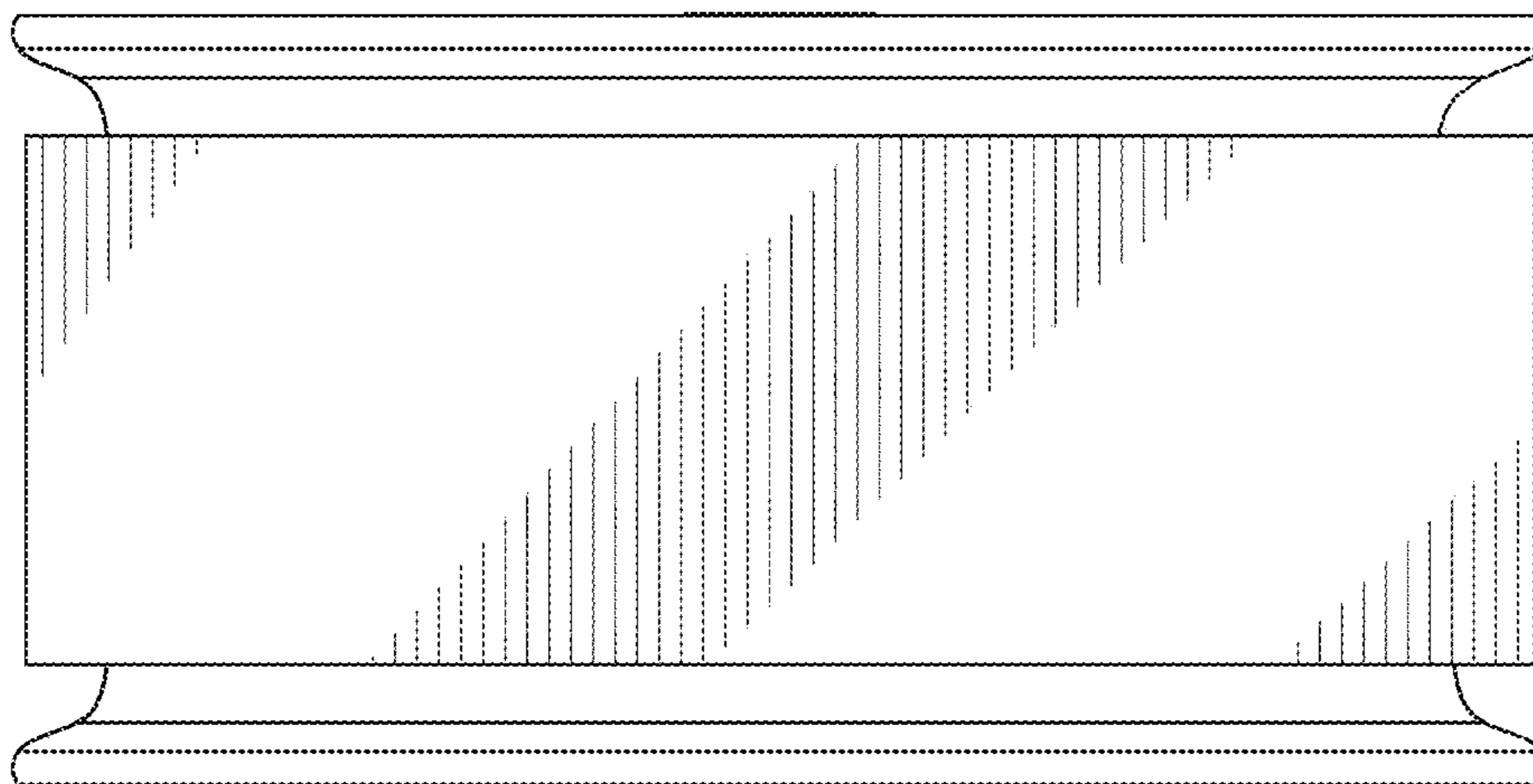


FIG. 3

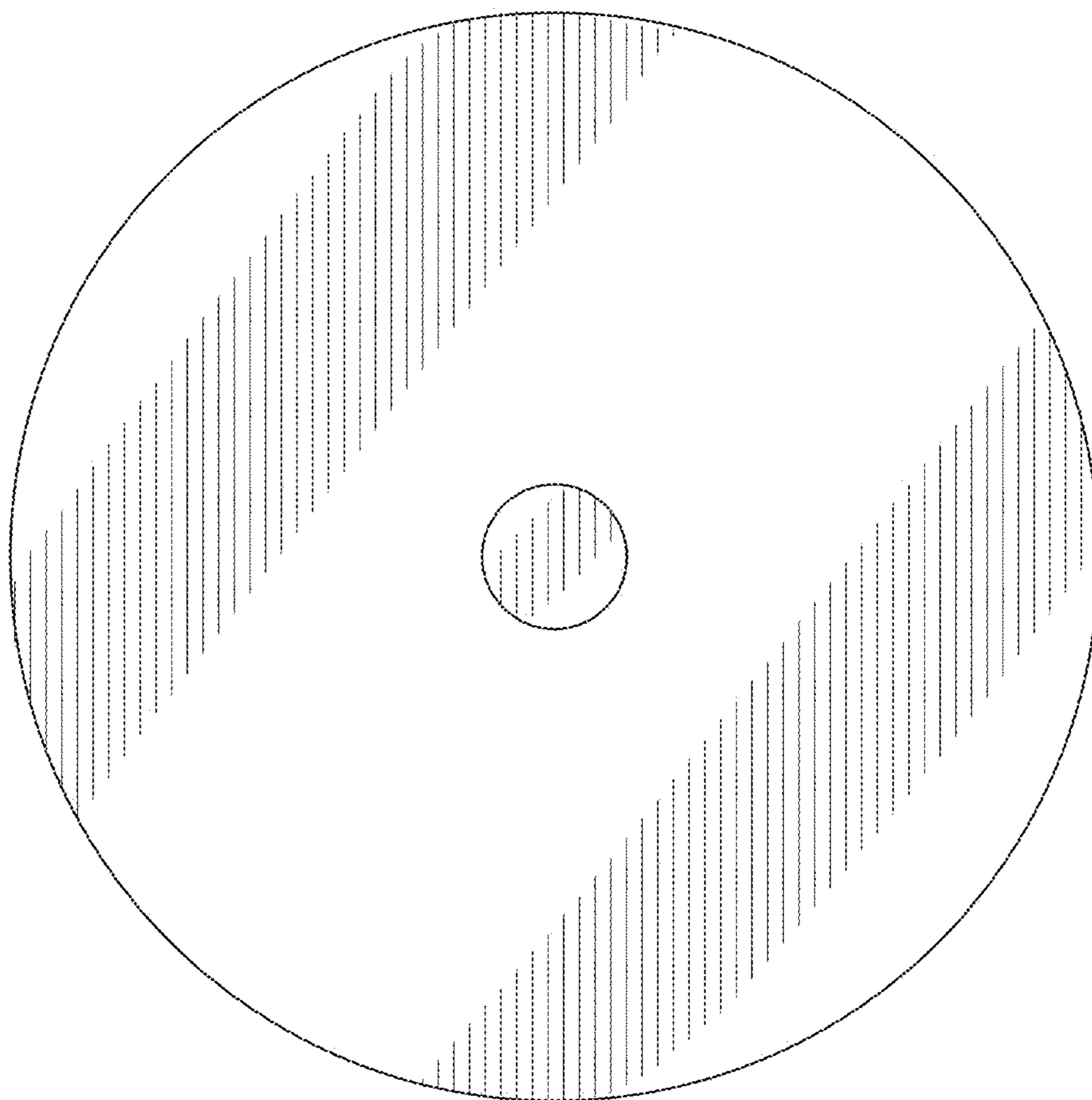


FIG. 4

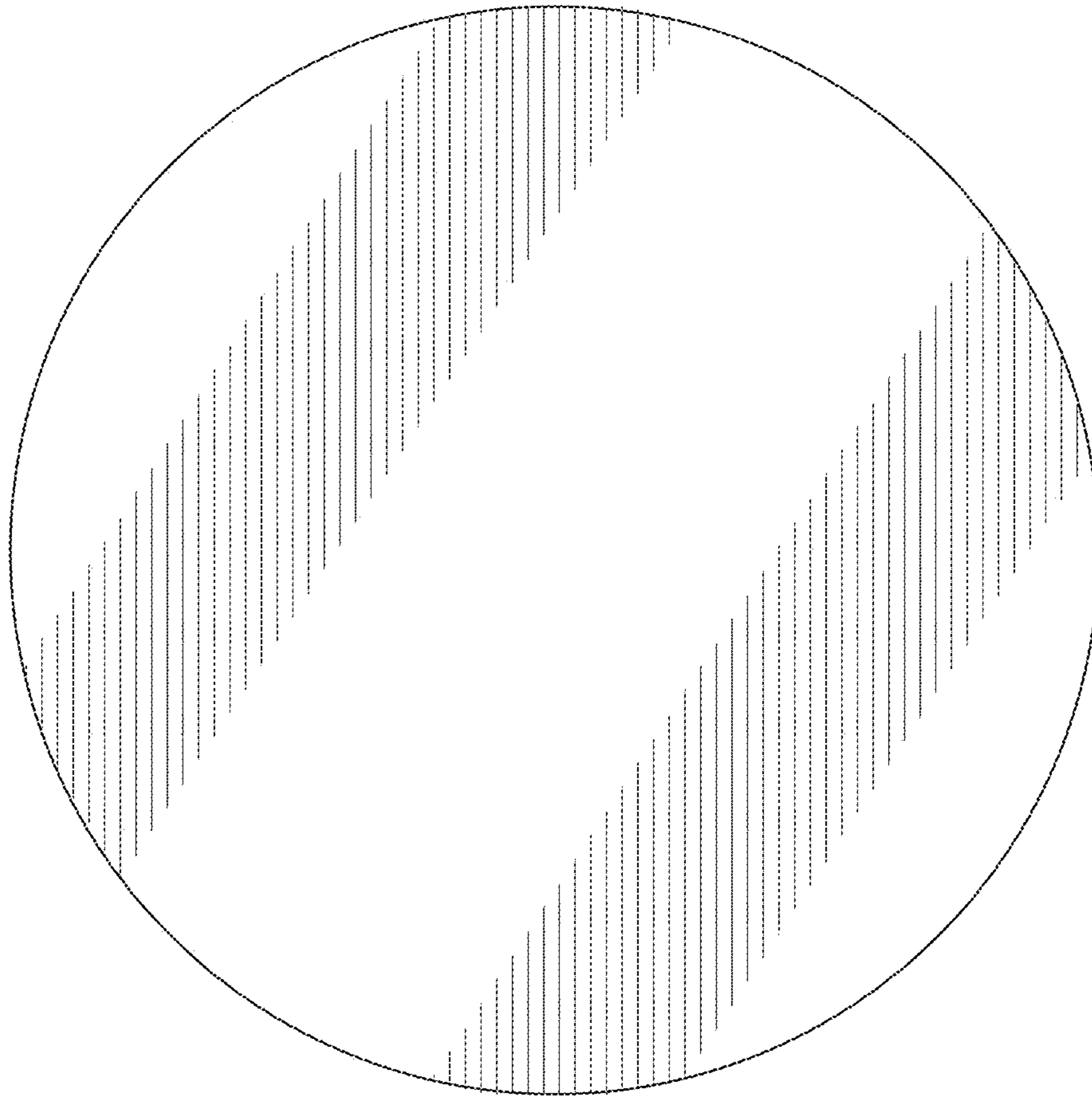


FIG. 5

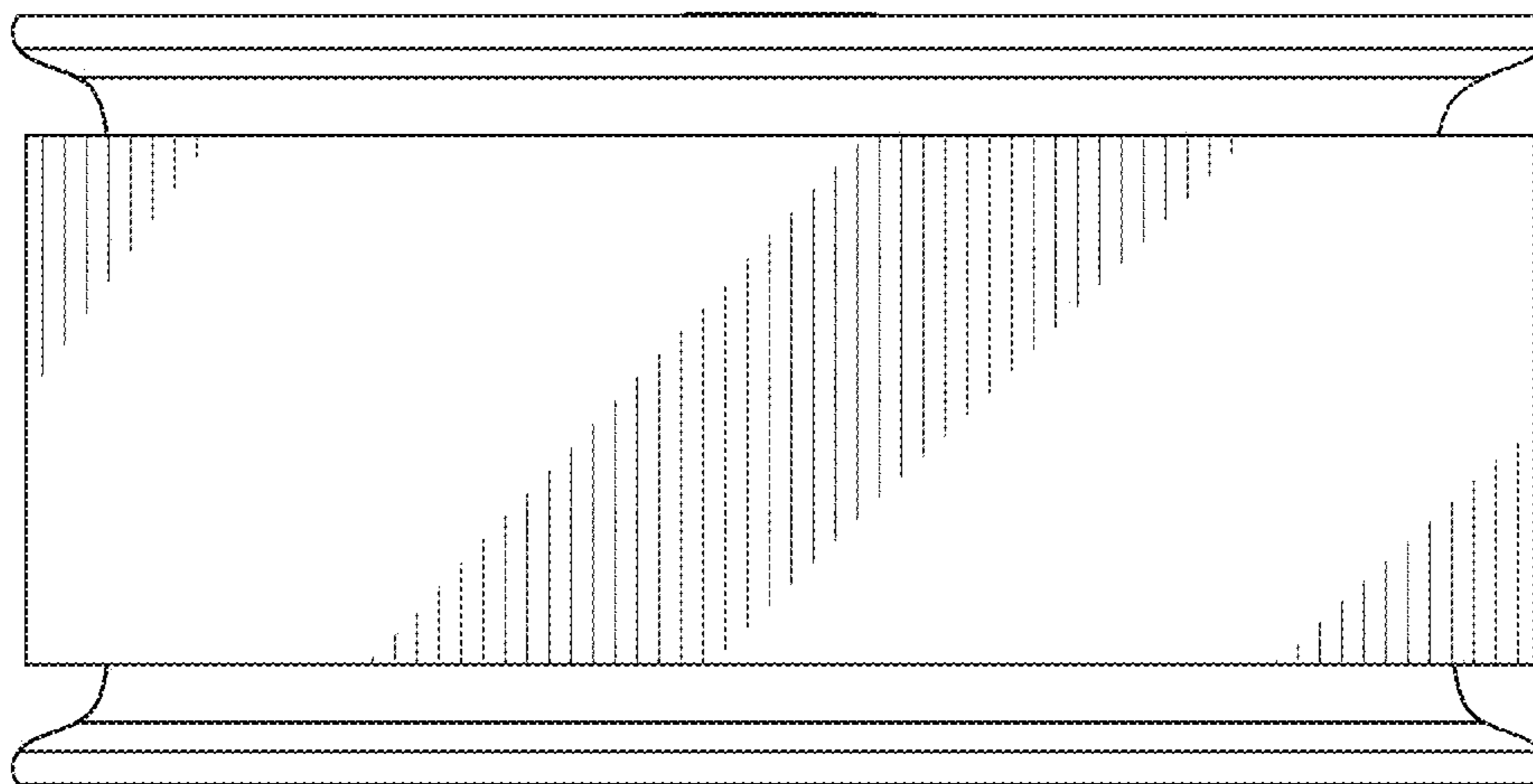


FIG. 6

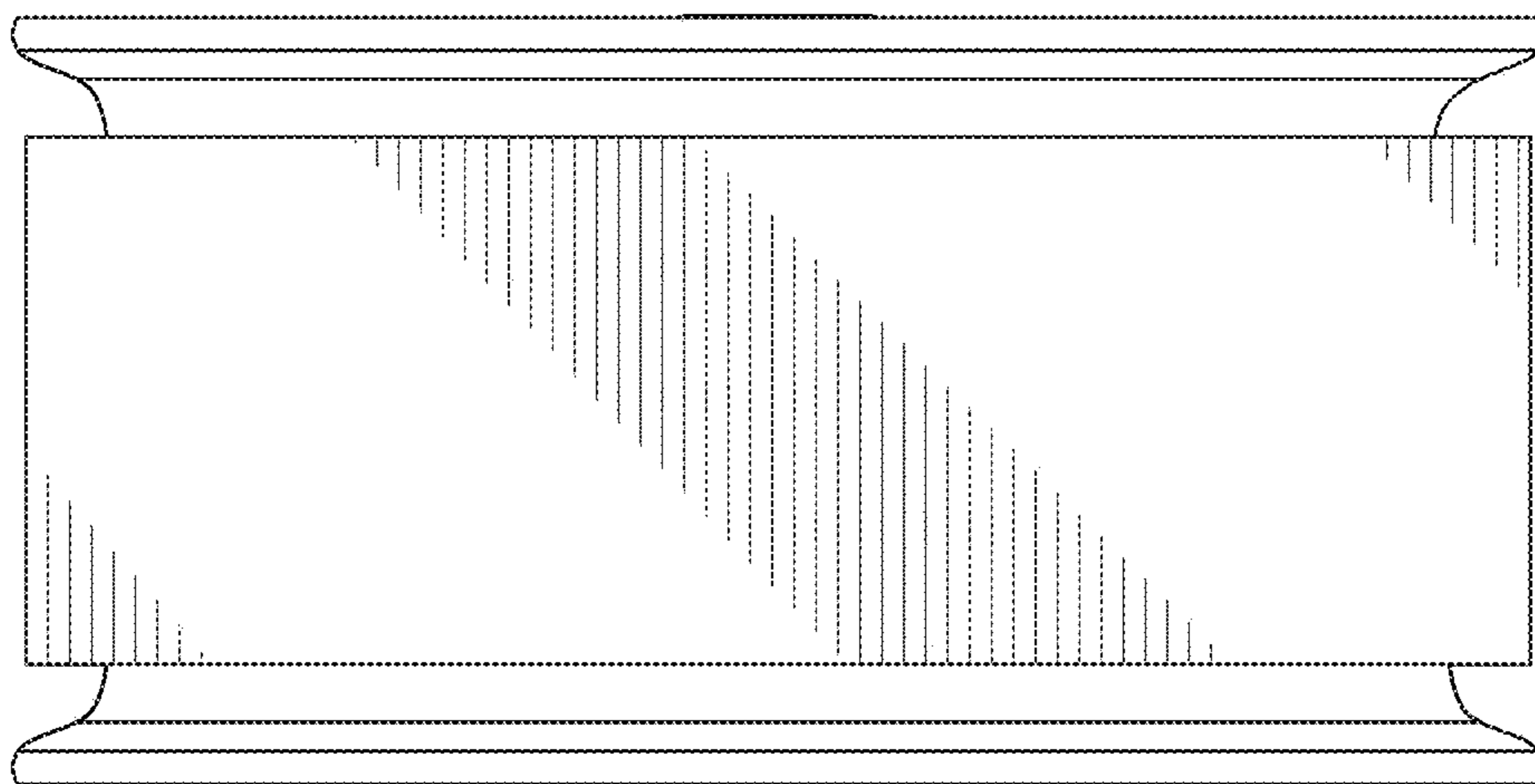


FIG. 7