



US00D872844S

(12) **United States Design Patent**  
**Mattoni**

(10) **Patent No.:** **US D872,844 S**  
(45) **Date of Patent:** **\*\* Jan. 14, 2020**

- (54) **FURNITURE**
- (71) Applicant: **LABORATORIO MATTONI S.R.L.**,  
Rome (IT)
- (72) Inventor: **Luca Mattoni**, Rome (IT)
- (73) Assignee: **LABORATORIO MATTONI S.R.L.**,  
Rome (IT)
- (\*\*) Term: **15 Years**
- (21) Appl. No.: **29/650,522**
- (22) Filed: **Jun. 7, 2018**
- (30) **Foreign Application Priority Data**  
Feb. 5, 2018 (EM) ..... 004694297-0001-0003
- (51) **LOC (12) Cl.** ..... **23-02**
- (52) **U.S. Cl.**  
USPC ..... **D23/271; D24/234**
- (58) **Field of Classification Search**  
USPC ..... D23/286, 308, 271-272; D6/653.1, 663,  
D6/666, 671, 671.1, 709, 688.21, 657;  
D15/81; D24/234  
CPC ..... A47B 220/12; A47B 77/06; A47B 88/40  
See application file for complete search history.

- 5,909,933 A \* 6/1999 Keene ..... A47B 77/06  
312/140.1
- D426,400 S \* 6/2000 Welling ..... D23/271
- D660,324 S \* 5/2012 Okuda ..... D15/85
- 8,382,217 B2 \* 2/2013 Craig ..... A47B 77/02  
126/37 R
- D737,943 S \* 9/2015 Lee ..... D23/272
- D782,014 S \* 3/2017 Mattoni ..... D23/272
- D782,015 S \* 3/2017 Mattoni ..... D23/272
- D800,279 S \* 10/2017 Bowskill ..... D23/286
- D813,359 S \* 3/2018 Corbetta ..... D23/286
- D826,291 S \* 8/2018 Lim ..... D15/81
- D846,600 S \* 4/2019 Guo ..... D15/81

\* cited by examiner

*Primary Examiner* — Robert A Delehanty  
(74) *Attorney, Agent, or Firm* — Maier & Maier, PLLC

(57) **CLAIM**

The ornamental design for furniture, as shown and described.

**DESCRIPTION**

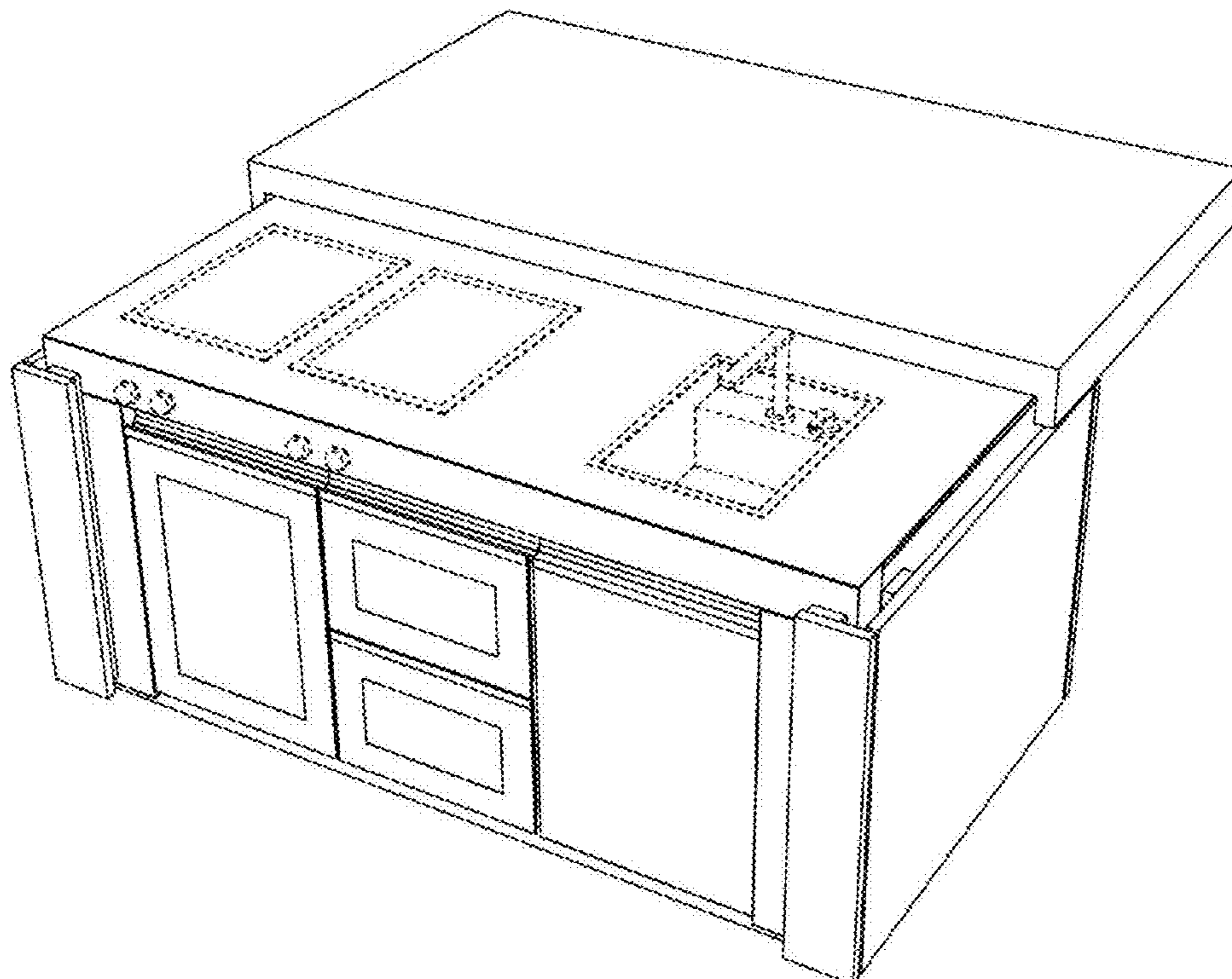
FIG. 1 is a front perspective view of furniture, showing my design;  
FIG. 2 is a front perspective view thereof, showing a top surface in an alternate position;  
FIG. 3 is a front view thereof;  
FIG. 4 is a rear view thereof;  
FIG. 5 is a left view thereof;  
FIG. 6 is a right view thereof; and,  
FIG. 7 is a top view thereof.  
The broken lines show portions of the furniture that form no part of the claimed design.

(56) **References Cited**

**U.S. PATENT DOCUMENTS**

- D148,373 S \* 1/1948 Little ..... D23/272
- D235,645 S \* 7/1975 Peters, Jr. .... D23/272

**1 Claim, 7 Drawing Sheets**



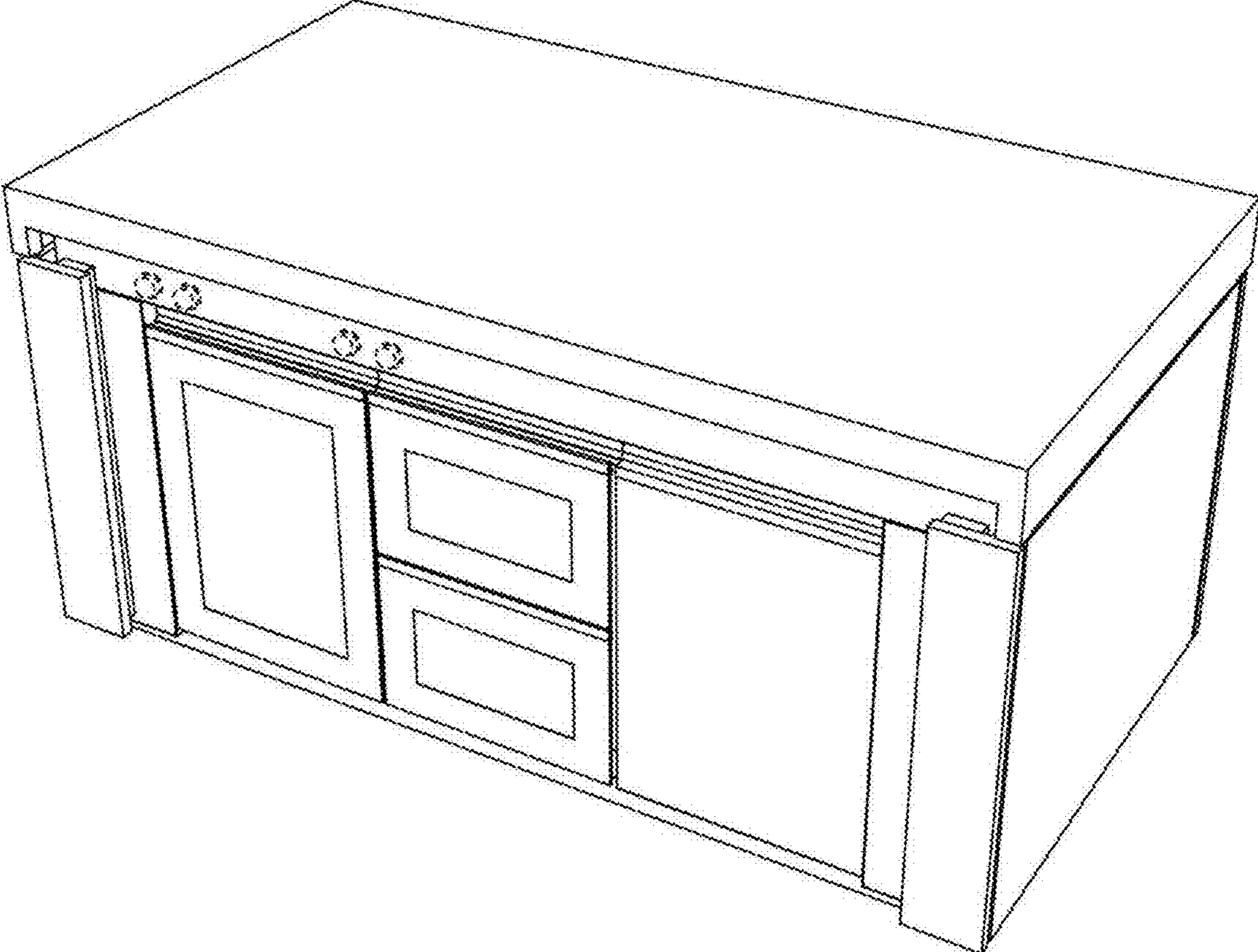


FIG. 1

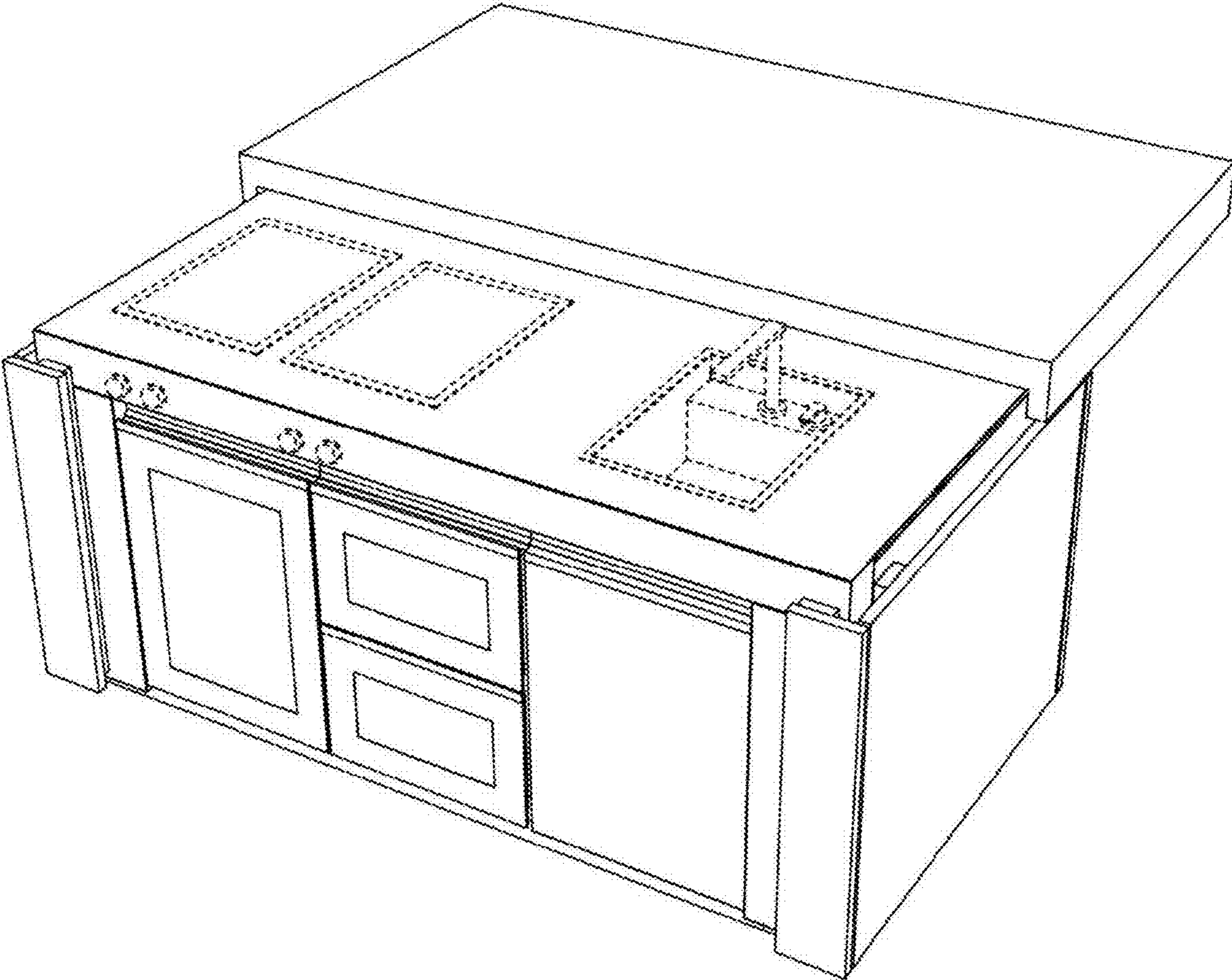


FIG. 2

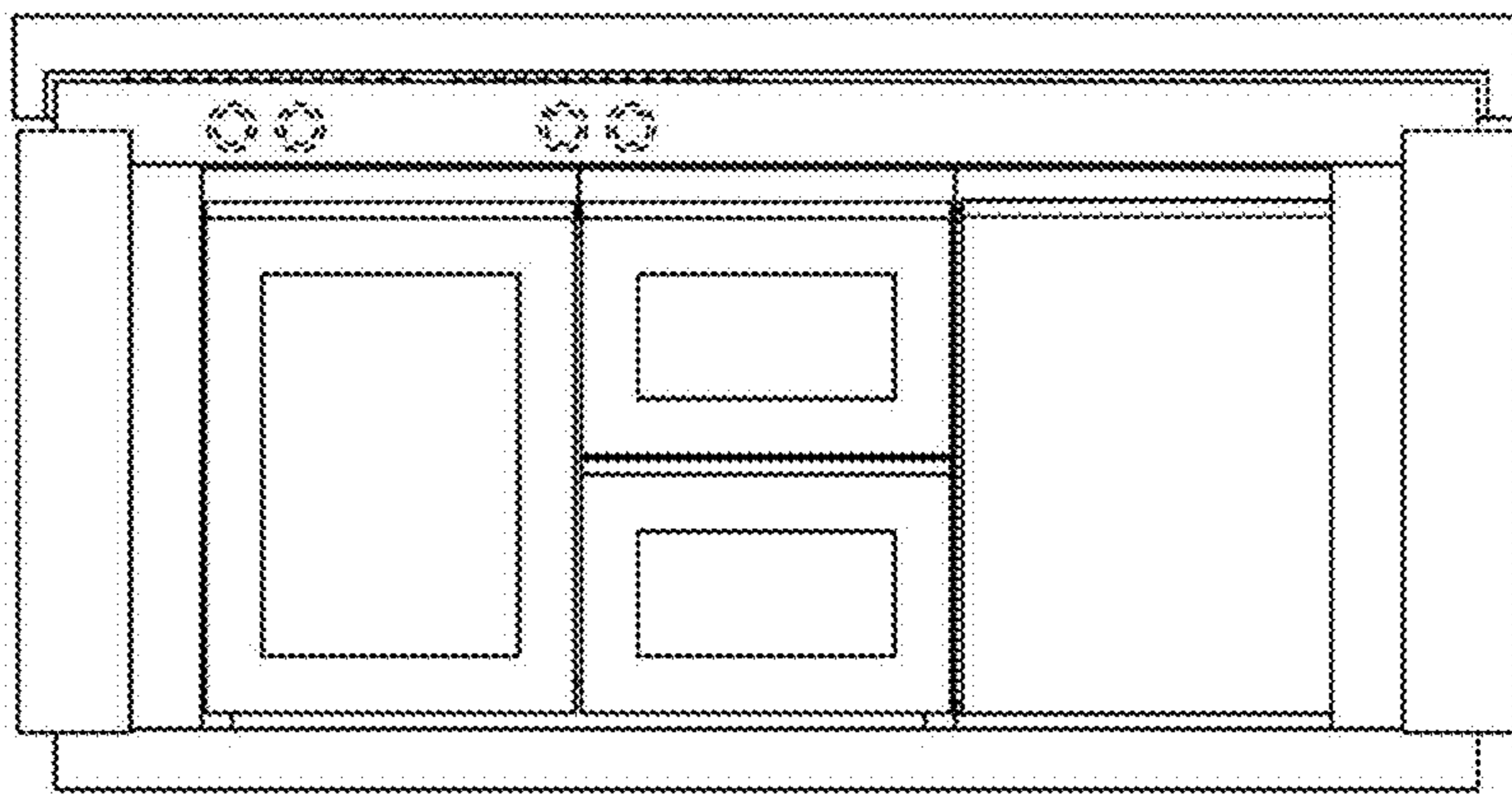


FIG. 3

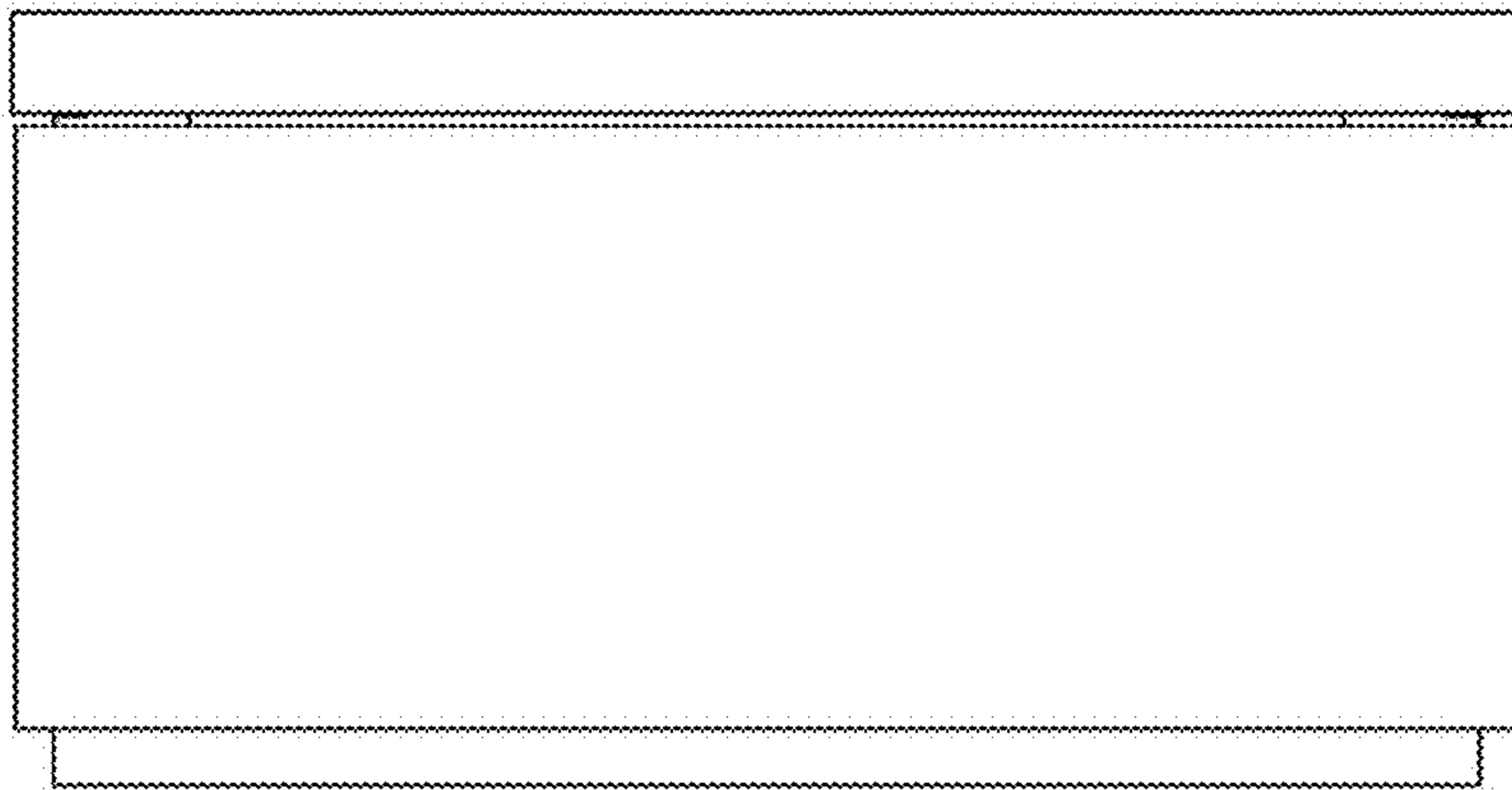


FIG. 4

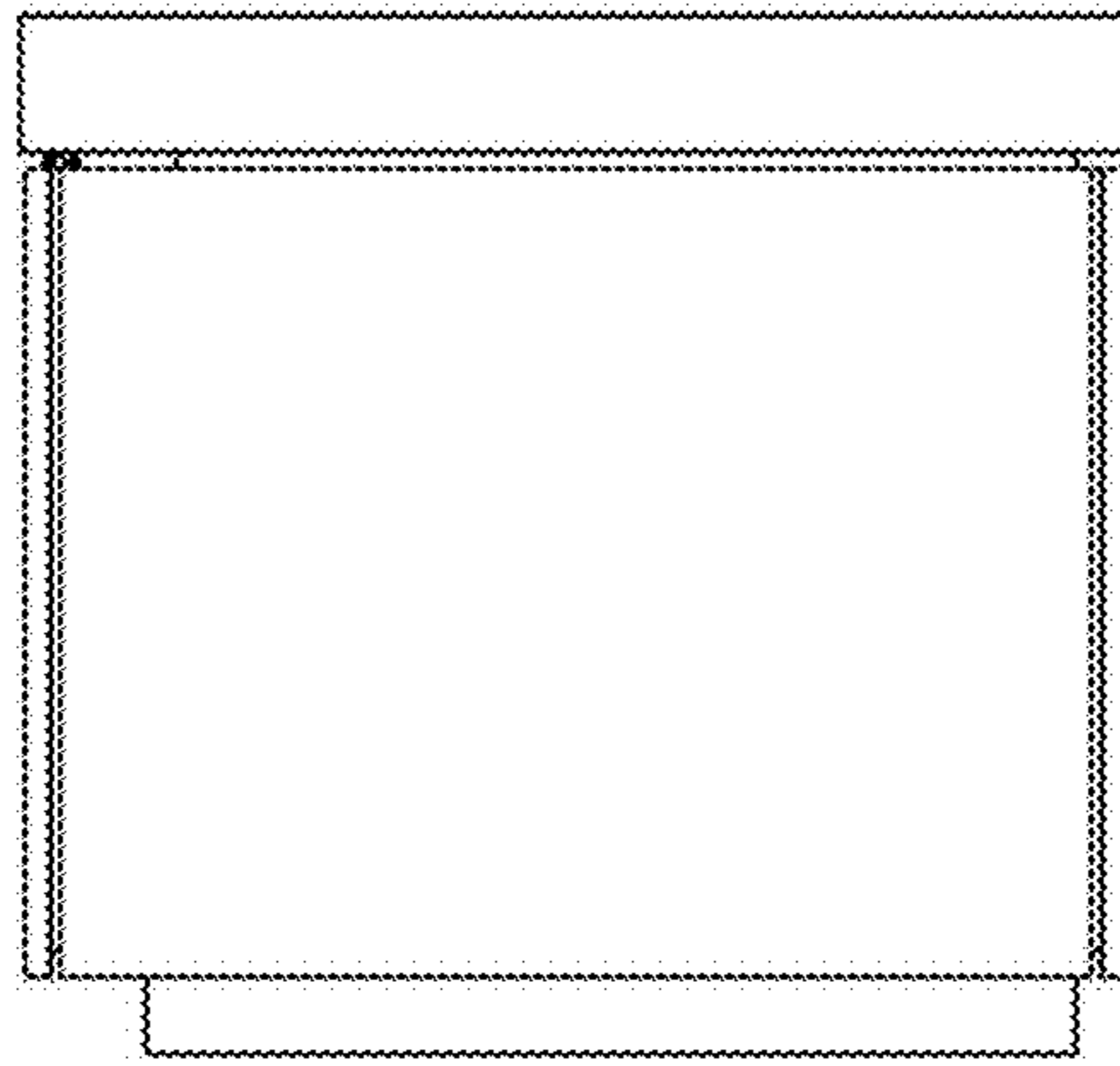


FIG. 5

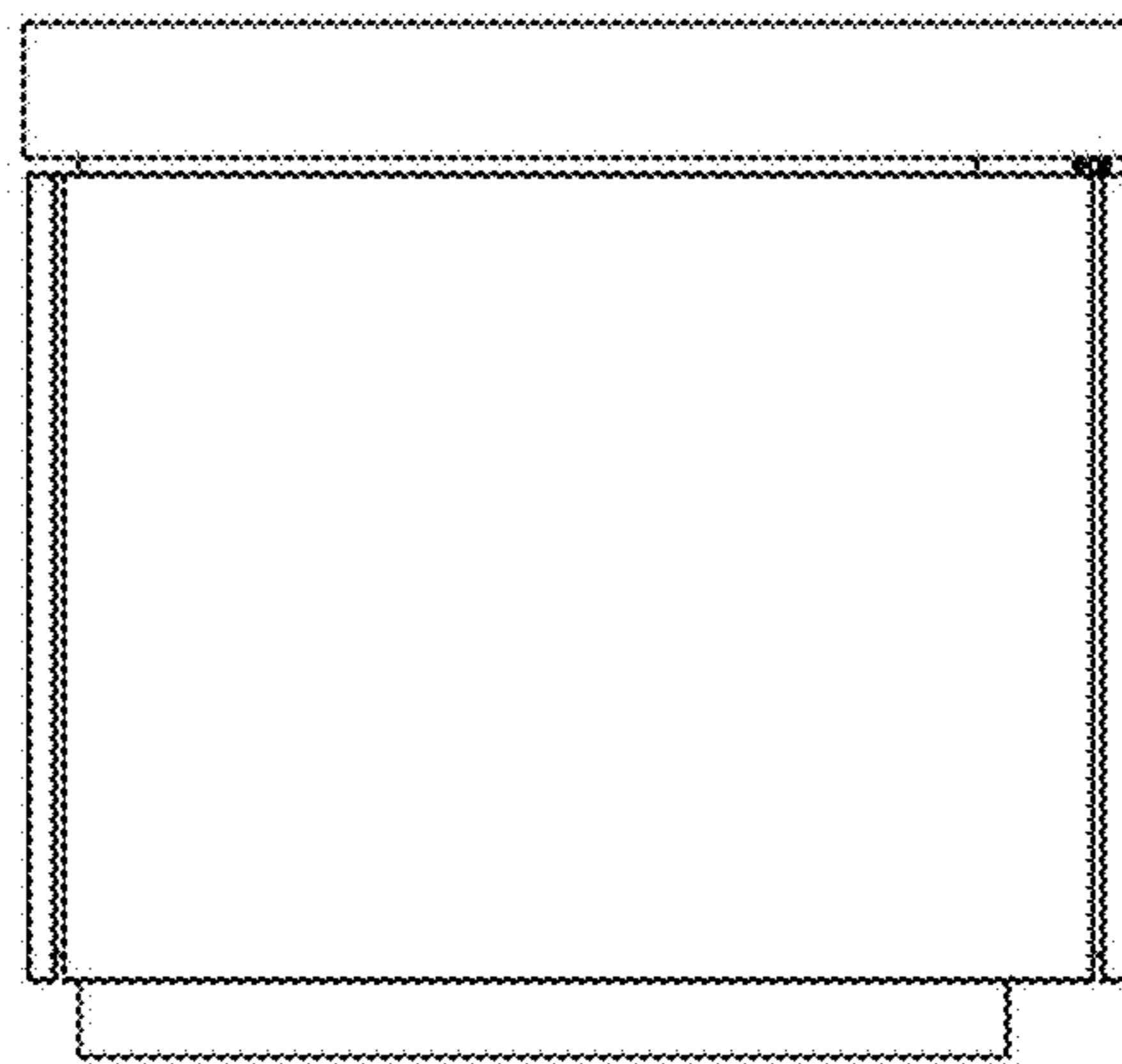


FIG. 6

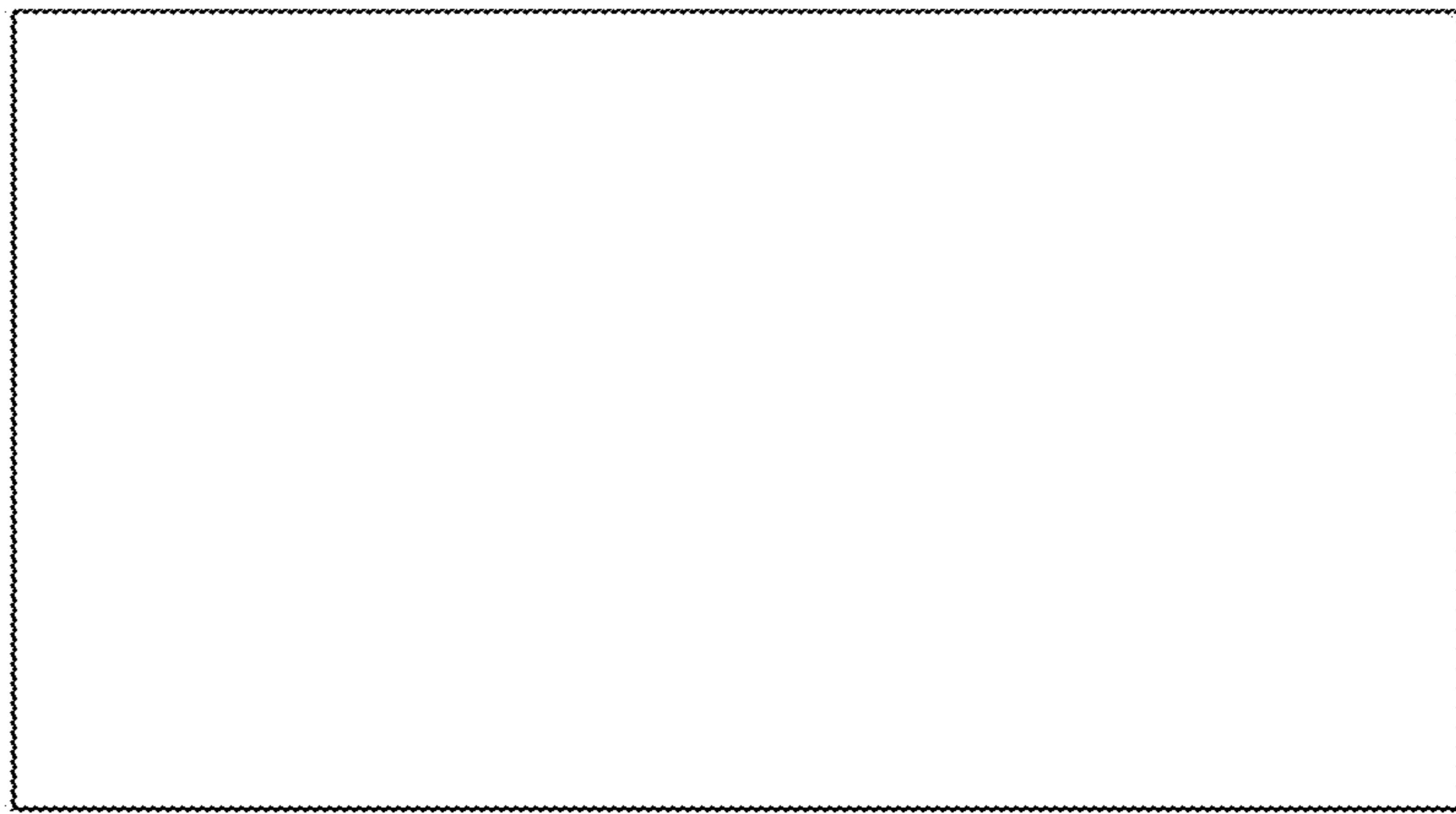


FIG. 7