



US00D872843S

(12) **United States Design Patent** (10) **Patent No.:** **US D872,843 S**
Stoffa, Sr. (45) **Date of Patent:** **** Jan. 14, 2020**

(54) **VALVE ATTACHMENT FOR A PIPE**
 (71) Applicant: **Michael Stoffa, Sr.**, Myrtle Beach, SC (US)
 (72) Inventor: **Michael Stoffa, Sr.**, Myrtle Beach, SC (US)
 (**) Term: **15 Years**
 (21) Appl. No.: **29/628,596**
 (22) Filed: **Dec. 6, 2017**
 (51) **LOC (12) Cl.** **23-01**
 (52) **U.S. Cl.**
 USPC **D23/262**
 (58) **Field of Classification Search**
 USPC D23/233, 235, 237, 241, 247, 248, 249,
 D23/262, 259, 263, 393, 260; 137/223;
 251/148
 CPC F16L 41/04; F16L 47/345; F16L 41/18;
 F16L 25/14; F16K 27/067
 See application file for complete search history.

D709,995 S * 7/2014 Crabbe D23/262
 D745,638 S * 12/2015 Hickman D23/233
 D822,180 S * 7/2018 Rolston D23/259
 D838,350 S * 1/2019 Downs F16L 37/0841
 D23/262
 2016/0047506 A1* 2/2016 Inda F16L 41/021
 285/133.11
 2017/0152984 A1* 6/2017 Dole A62C 35/68
 2018/0087697 A1* 3/2018 Clark F16L 19/062
 2019/0086013 A1* 3/2019 Hafele F16L 37/23

* cited by examiner

Primary Examiner — Gino Colan

(74) *Attorney, Agent, or Firm* — Maier & Maier, PLLC

(57) **CLAIM**

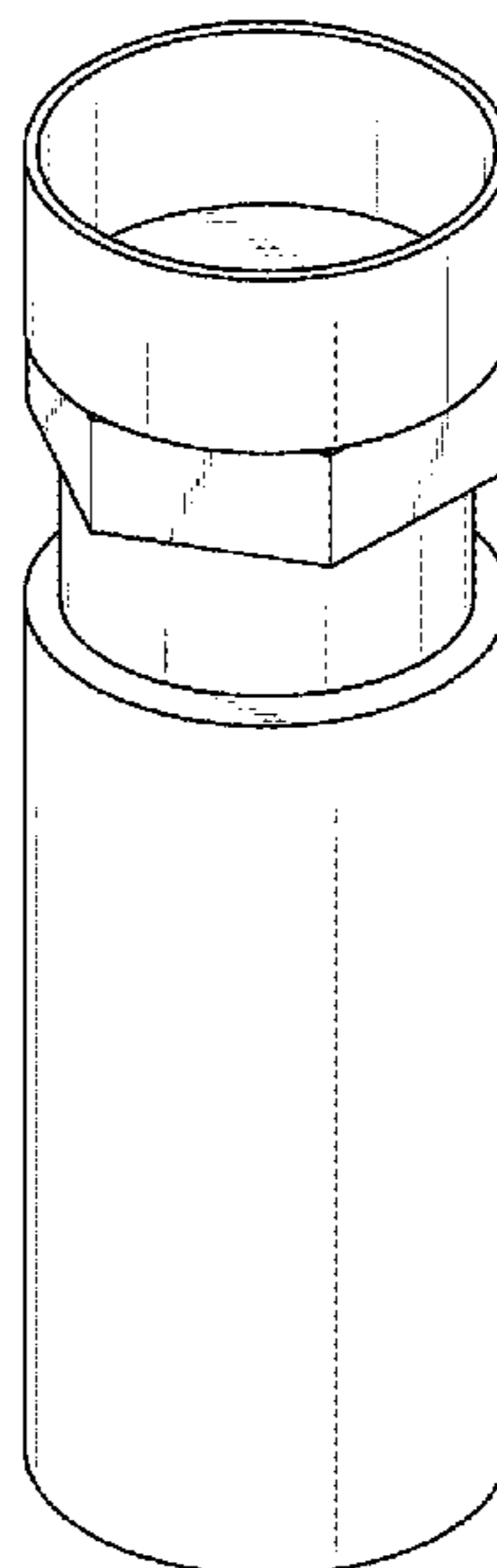
The ornamental design for a valve attachment for a pipe, as shown and described.

DESCRIPTION

FIG. 1 is a top perspective view of a valve attachment for a pipe showing my new design;
 FIG. 2 is a bottom perspective view thereof;
 FIG. 3 is a front elevational view thereof;
 FIG. 4 is a left side elevational view thereof;
 FIG. 5 is a rear elevational view thereof;
 FIG. 6 is a right side elevational view thereof;
 FIG. 7 is a top plan view thereof;
 FIG. 8 is a bottom plan view thereof; and,
 FIG. 9 is a top perspective view thereof showing the cap in an alternate position.
 The dash-dash-dash broken line showing in the Figures shows portions of the valve attachment for a pipe that form no part of the claimed design. The dash-dot-dash broken line showing in the Figures represents the boundaries of the claim and forms no part of the claimed design.

1 Claim, 3 Drawing Sheets

(56) **References Cited**
 U.S. PATENT DOCUMENTS
 5,816,284 A * 10/1998 Lin B60C 29/064
 137/223
 D407,802 S * 4/1999 Hatfield D23/262
 D419,652 S * 1/2000 Hall D23/259
 D435,635 S * 12/2000 Taneya D23/233
 D453,815 S * 2/2002 Hoenig D23/259
 D463,537 S * 9/2002 Kozu D23/233
 D499,464 S * 12/2004 Caine D23/233
 D620,084 S * 7/2010 Talamantez D23/262
 D623,723 S * 9/2010 Nimberger D23/237
 D627,863 S * 11/2010 Ball D23/262
 D704,811 S * 5/2014 Yu D23/262
 D705,402 S * 5/2014 Yu D23/262



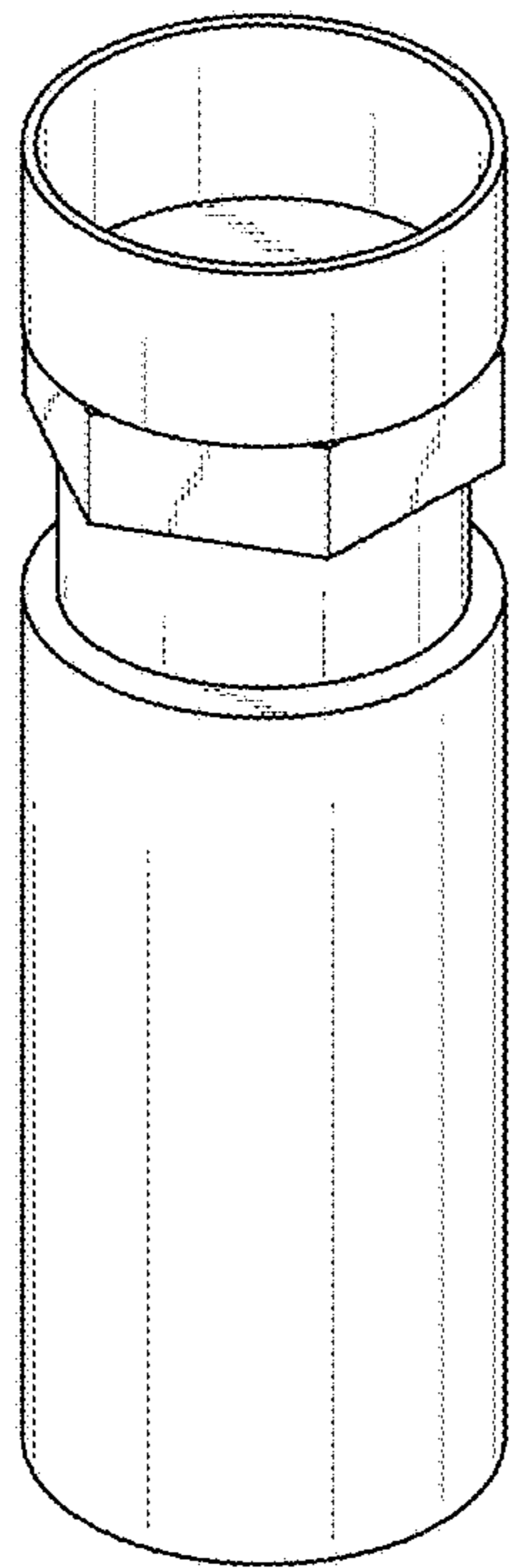


Fig. 1

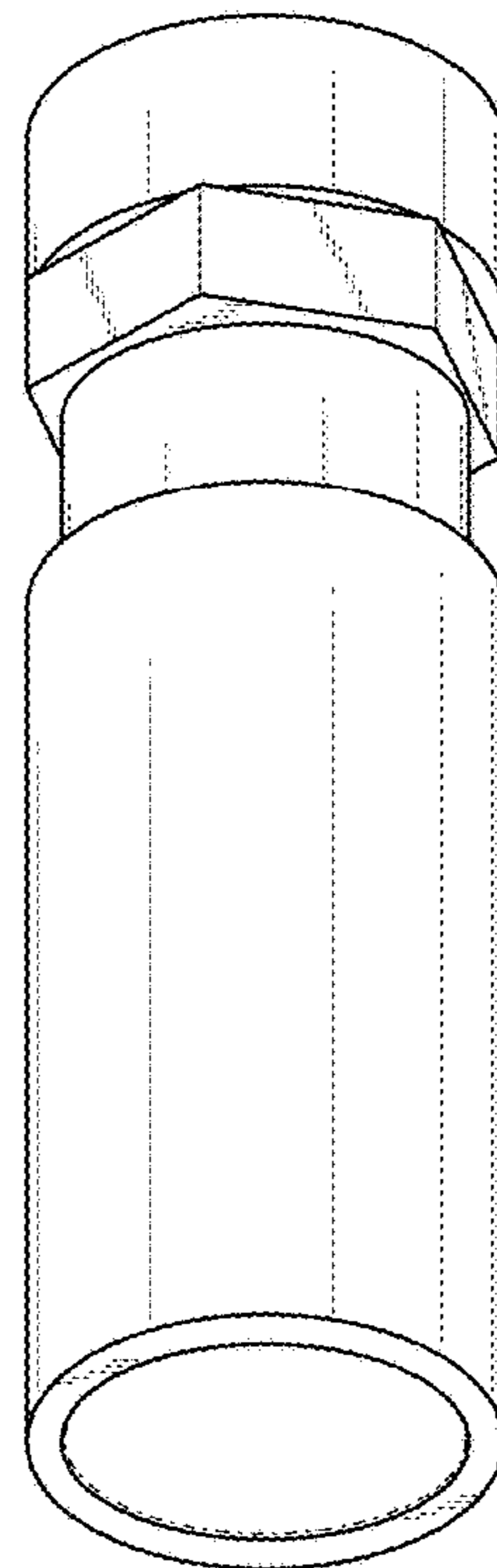


Fig. 2

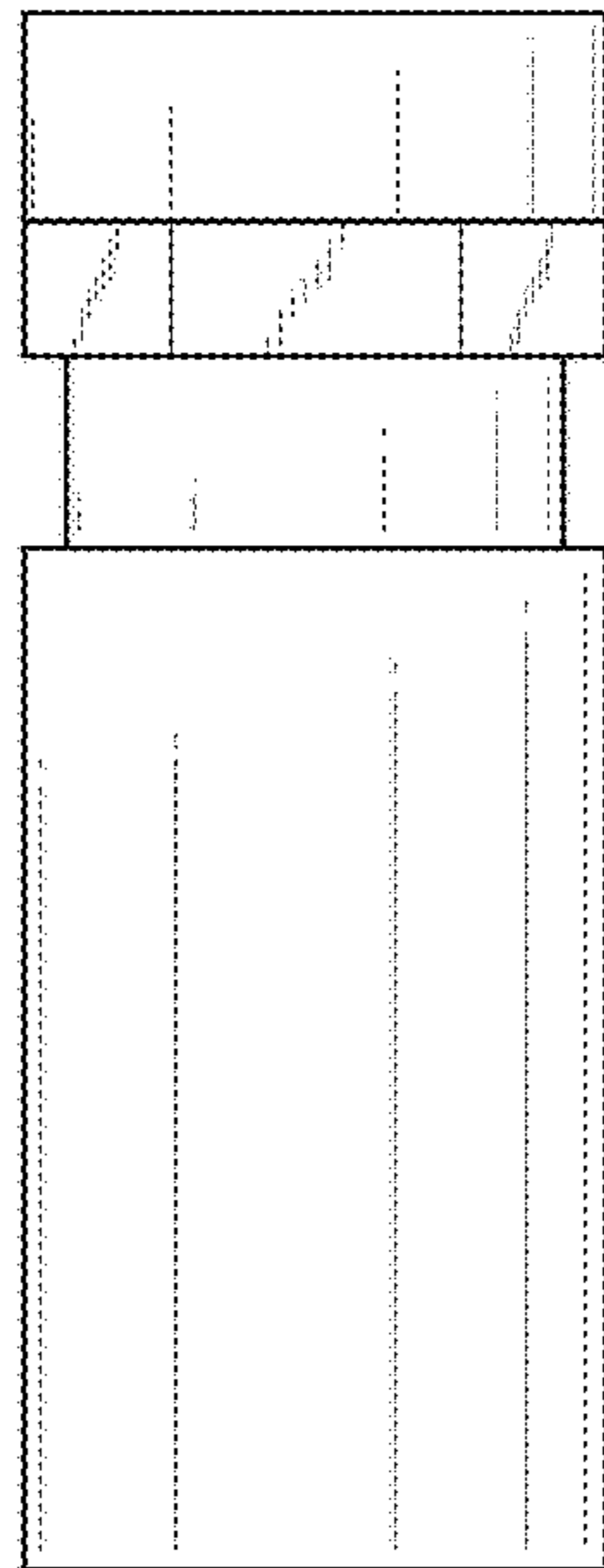


Fig. 3

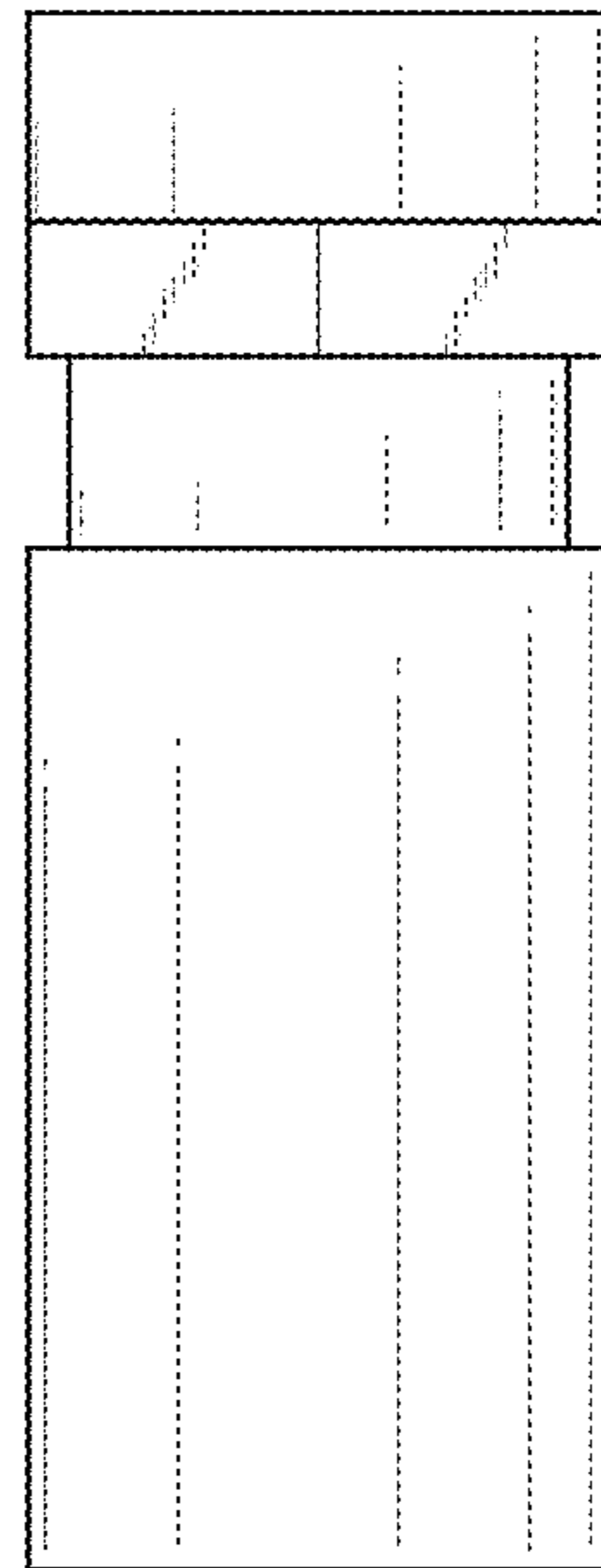


Fig. 4

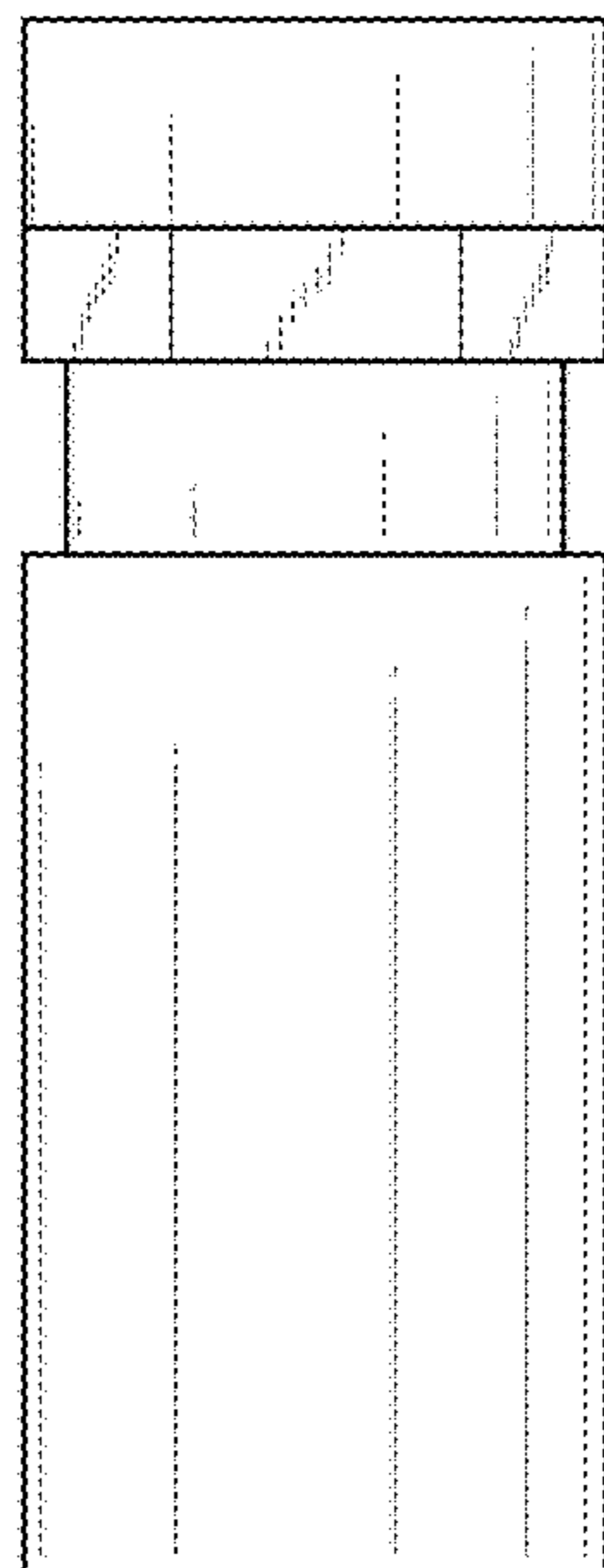


Fig. 5

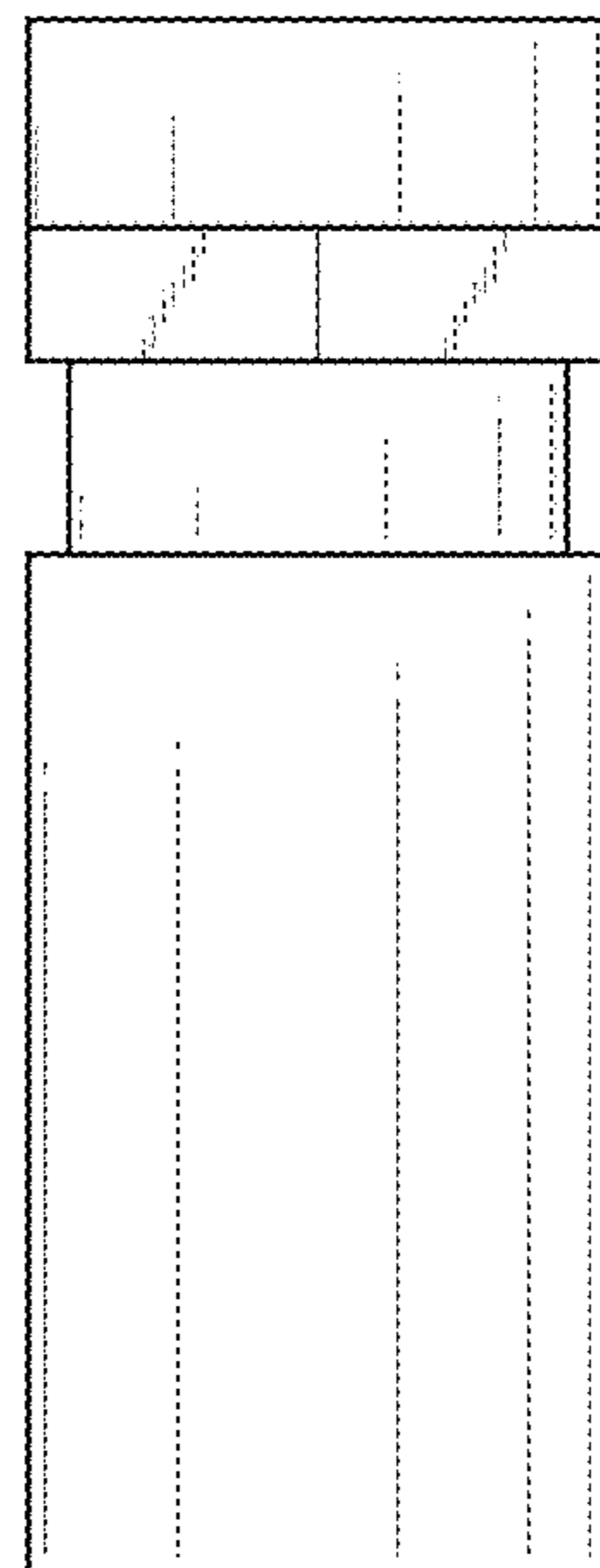


Fig. 6

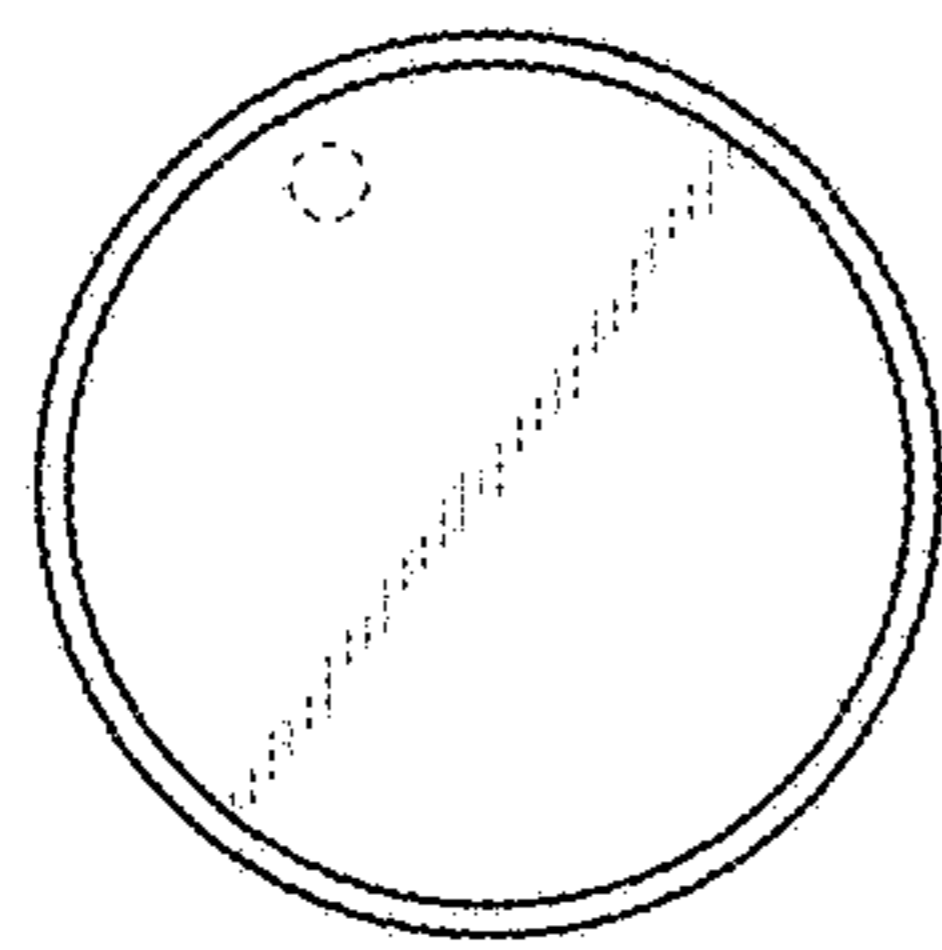


Fig. 7

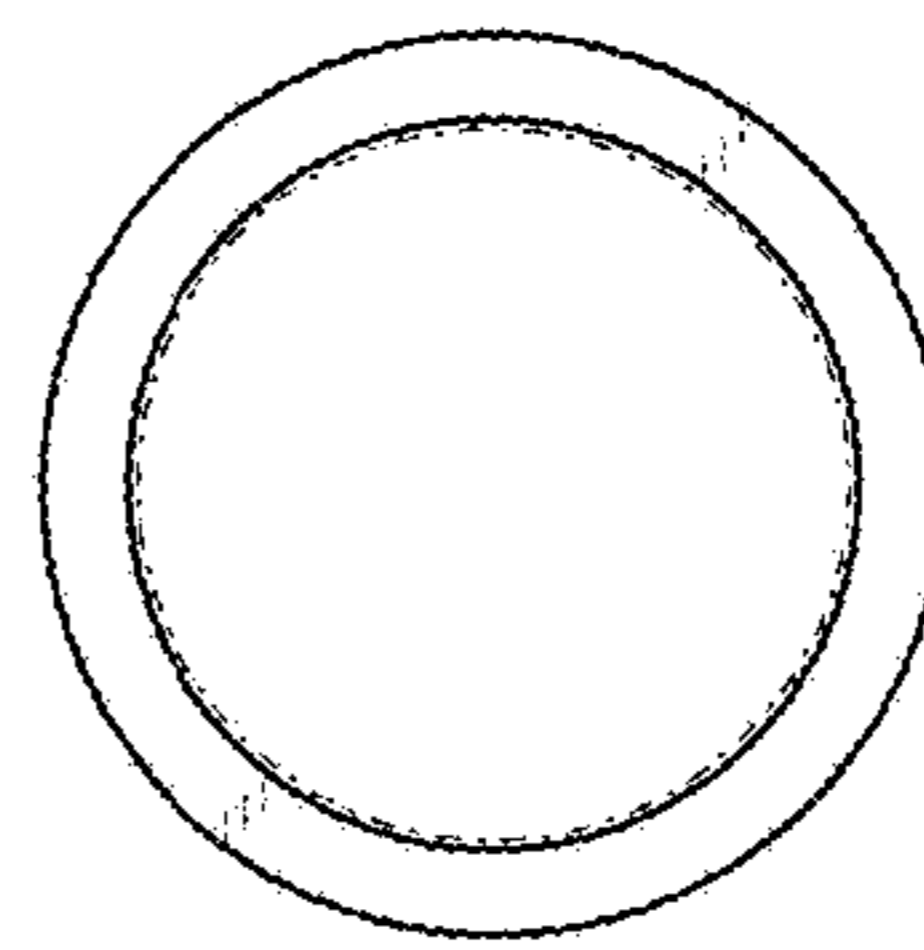


Fig. 8

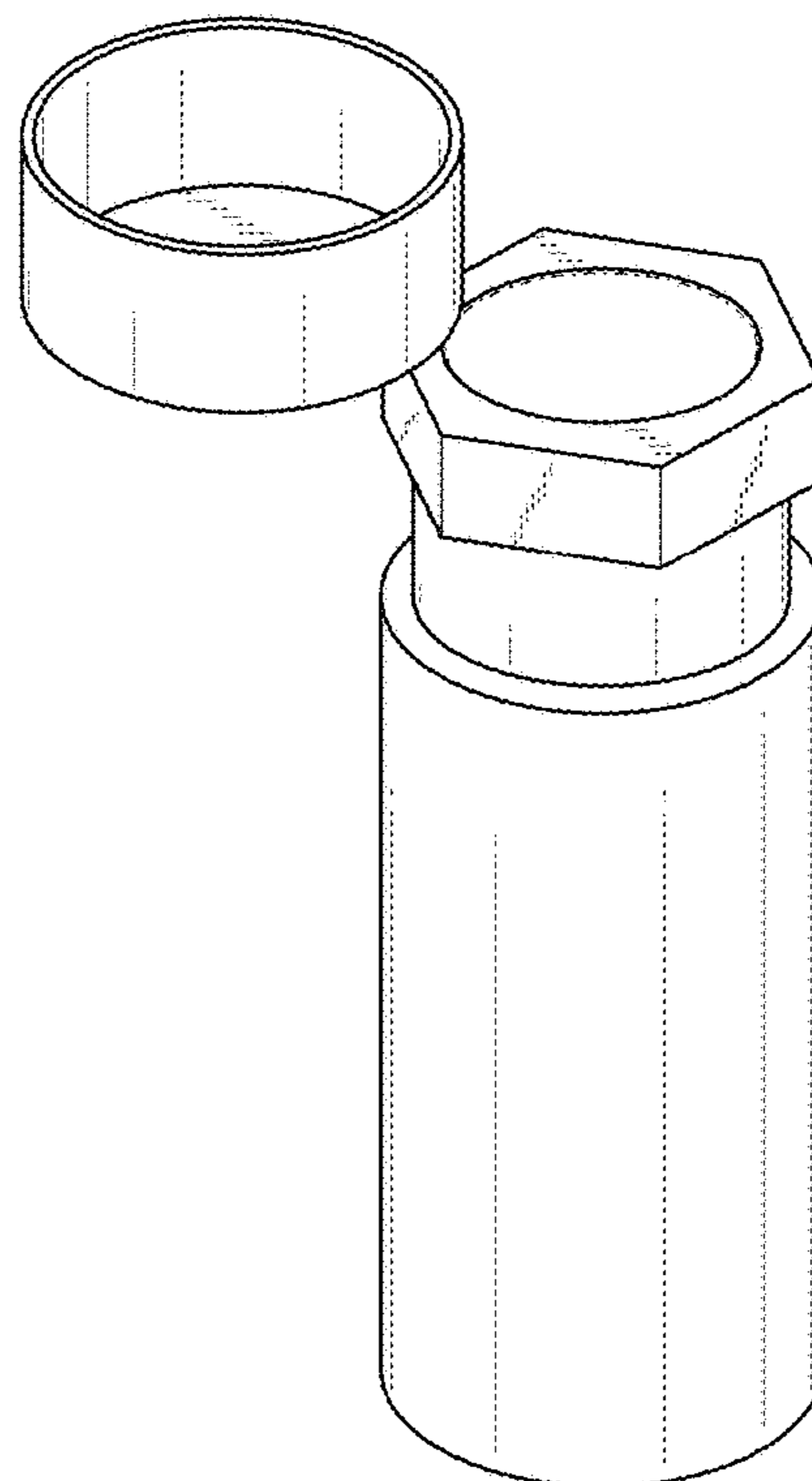


Fig. 9