



US00D872839S

(12) **United States Design Patent**
Leinonen

(10) **Patent No.:** **US D872,839 S**

(45) **Date of Patent:** **** Jan. 14, 2020**

(54) **VALVE CONTROLLER**

(71) Applicant: **METSO FLOW CONTROL OY**,
Vantaa (FI)

(72) Inventor: **Samuel Leinonen**, Vantaa (FI)

(73) Assignee: **METSO FLOW CONTROL OY**,
Vantaa (FI)

(**) Term: **15 Years**

(21) Appl. No.: **29/627,961**

(22) Filed: **Nov. 30, 2017**

(30) **Foreign Application Priority Data**

May 31, 2017 (EM) 004026193-0002

(51) **LOC (12) Cl.** **23-01**

(52) **U.S. Cl.**

USPC **D23/249**

(58) **Field of Classification Search**

USPC D23/233-250; 137/487.5, 486, 551,
137/565.15, 596.12; 123/464, 499, 90.11

CPC F16K 99/0042; F16K 31/124

See application file for complete search history.

(56) **References Cited**

U.S. PATENT DOCUMENTS

D318,519 S * 7/1991 Kuivila D23/245
9,022,067 B2 * 5/2015 Keller F16K 31/0655
123/90.11

9,404,515 B2 * 8/2016 Esposito F15B 15/202
D791,918 S * 7/2017 Anundi D23/237
D805,603 S * 12/2017 Hauth D23/233
D844,754 S * 4/2019 Leinonen D23/249

* cited by examiner

Primary Examiner — Gino Colan

(74) *Attorney, Agent, or Firm* — Oliff PLC

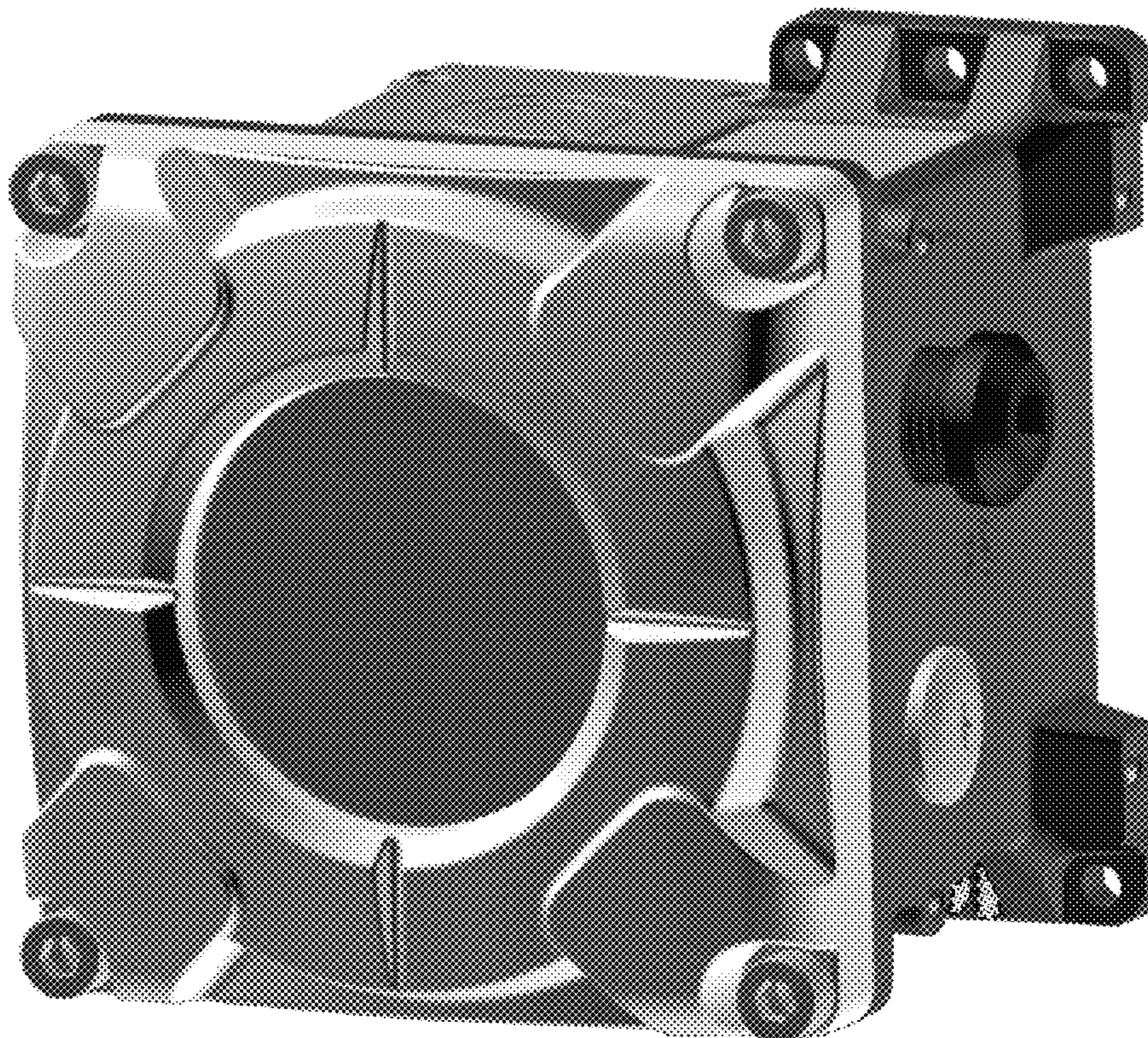
(57) **CLAIM**

The ornamental design for a valve controller, as shown and described.

DESCRIPTION

FIG. 1 is a front, top, right-side perspective view of a valve controller showing my new design;
FIG. 2 is a front elevational view thereof;
FIG. 3 is a top plan view thereof;
FIG. 4 is a bottom plan view thereof;
FIG. 5 is a right-side elevational view thereof;
FIG. 6 is a left-side elevational view thereof; and,
FIG. 7 is a front, top, left-side perspective view thereof.
The broken lines depict portions of the valve controller that form no part of the claimed design.

1 Claim, 7 Drawing Sheets



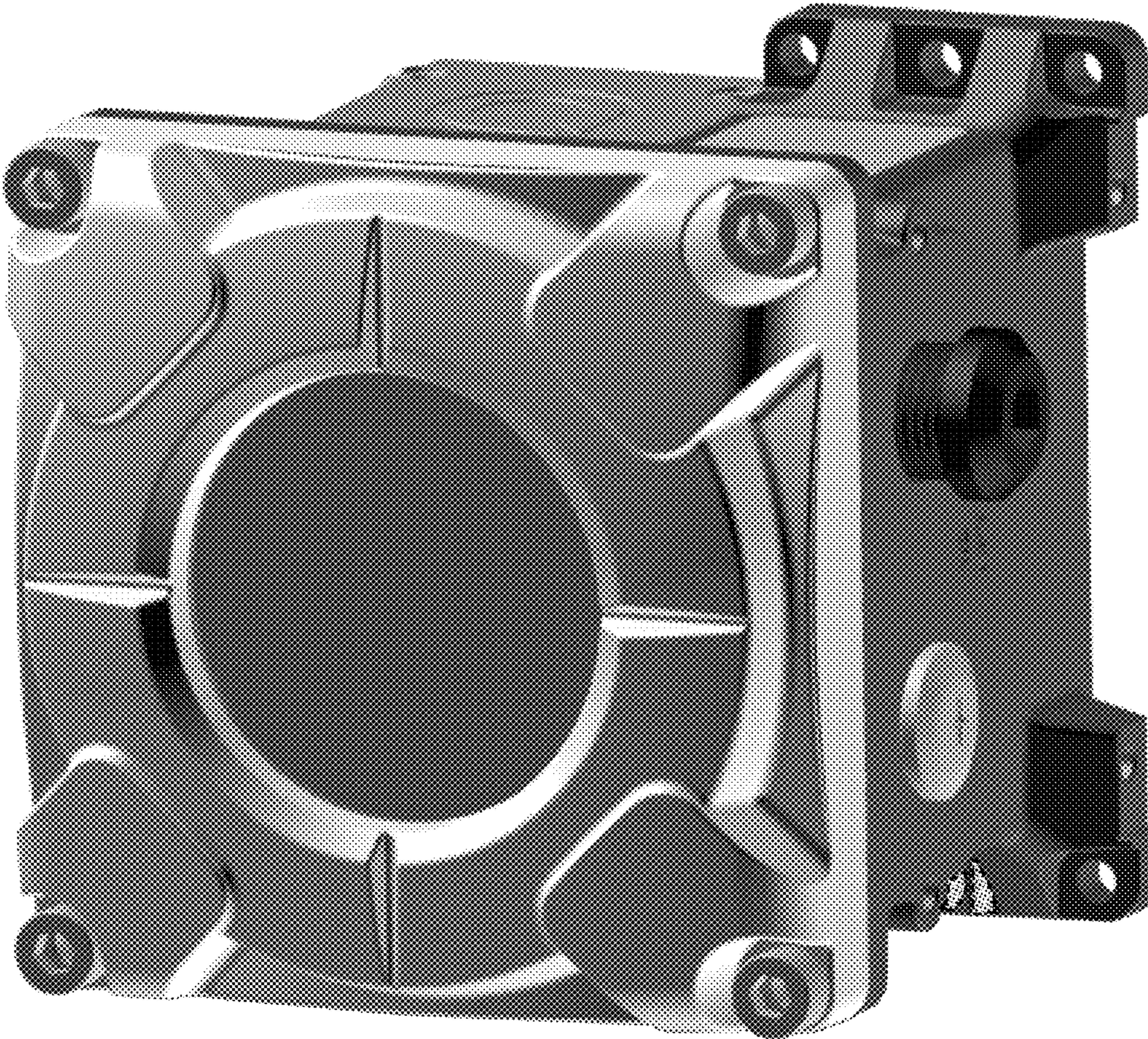


FIG. 1

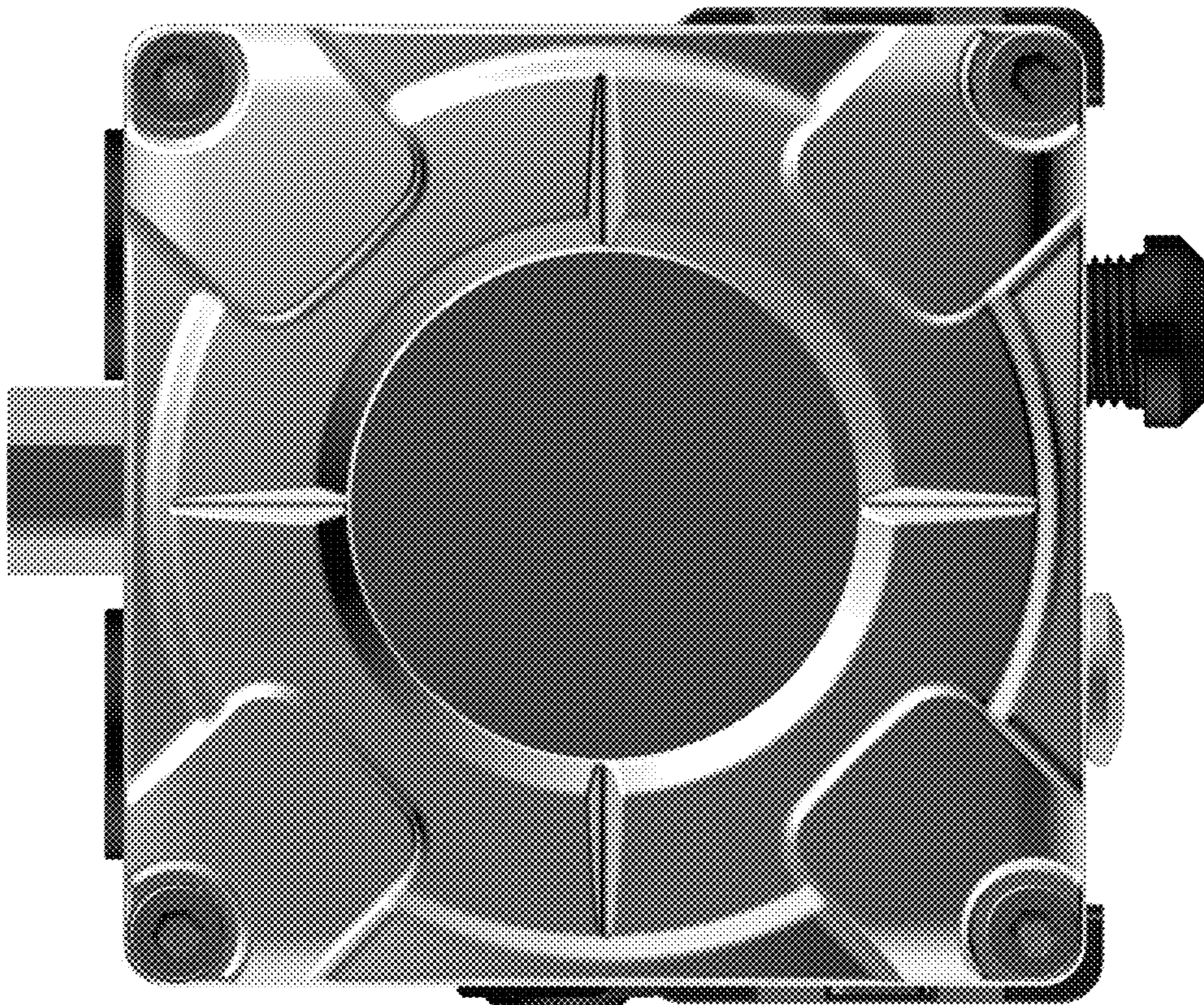


FIG. 2

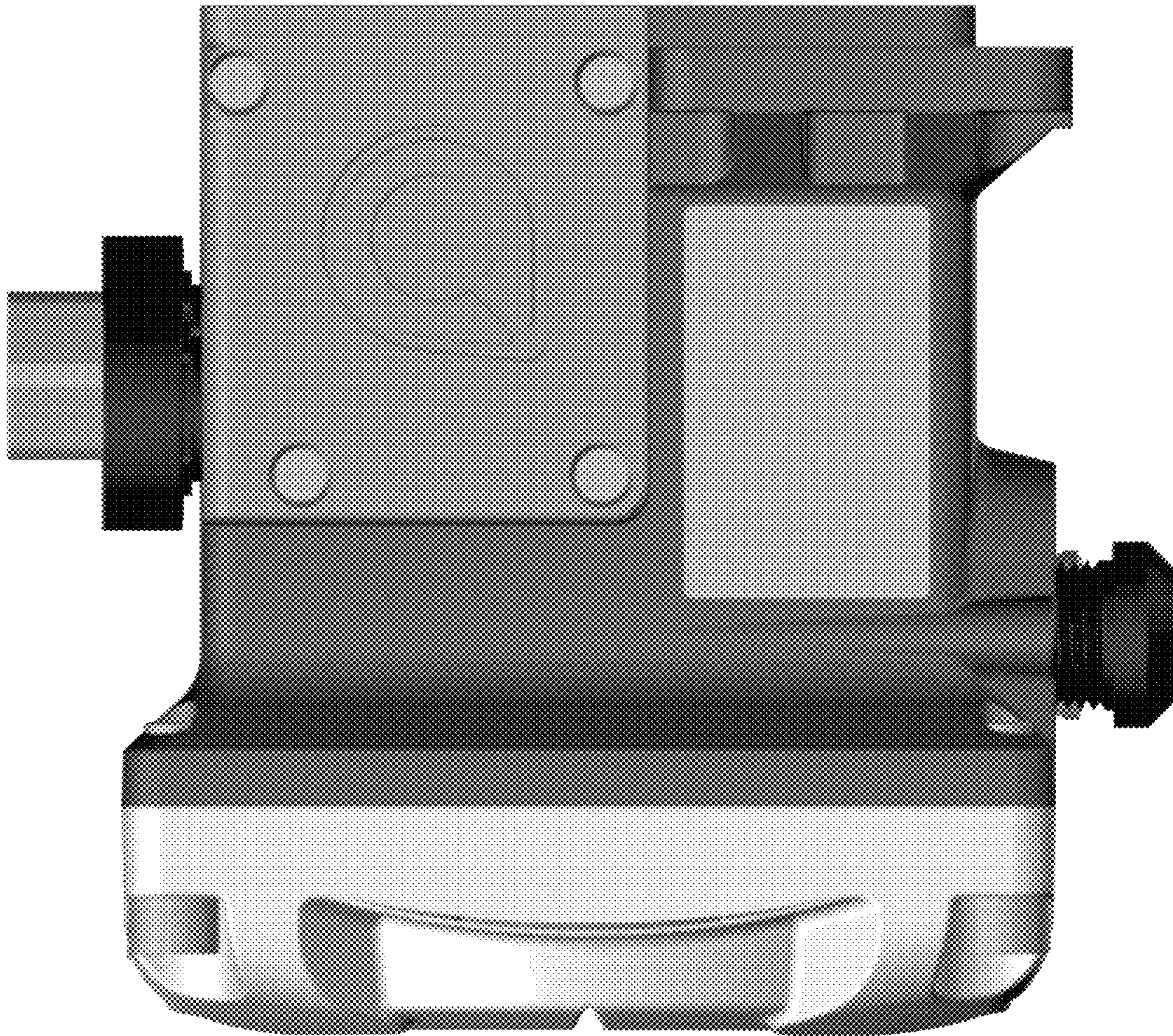


FIG. 3

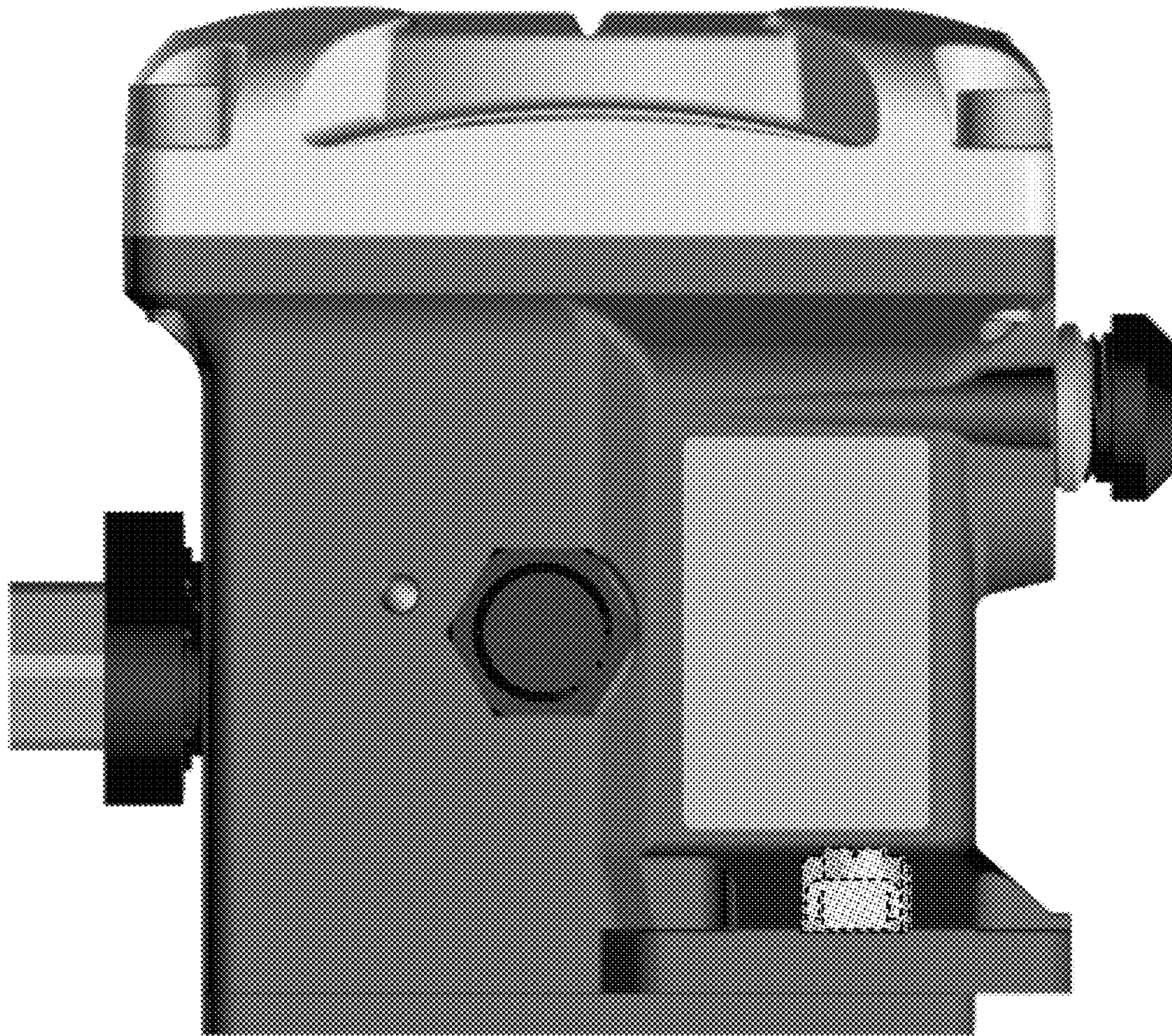


FIG. 4

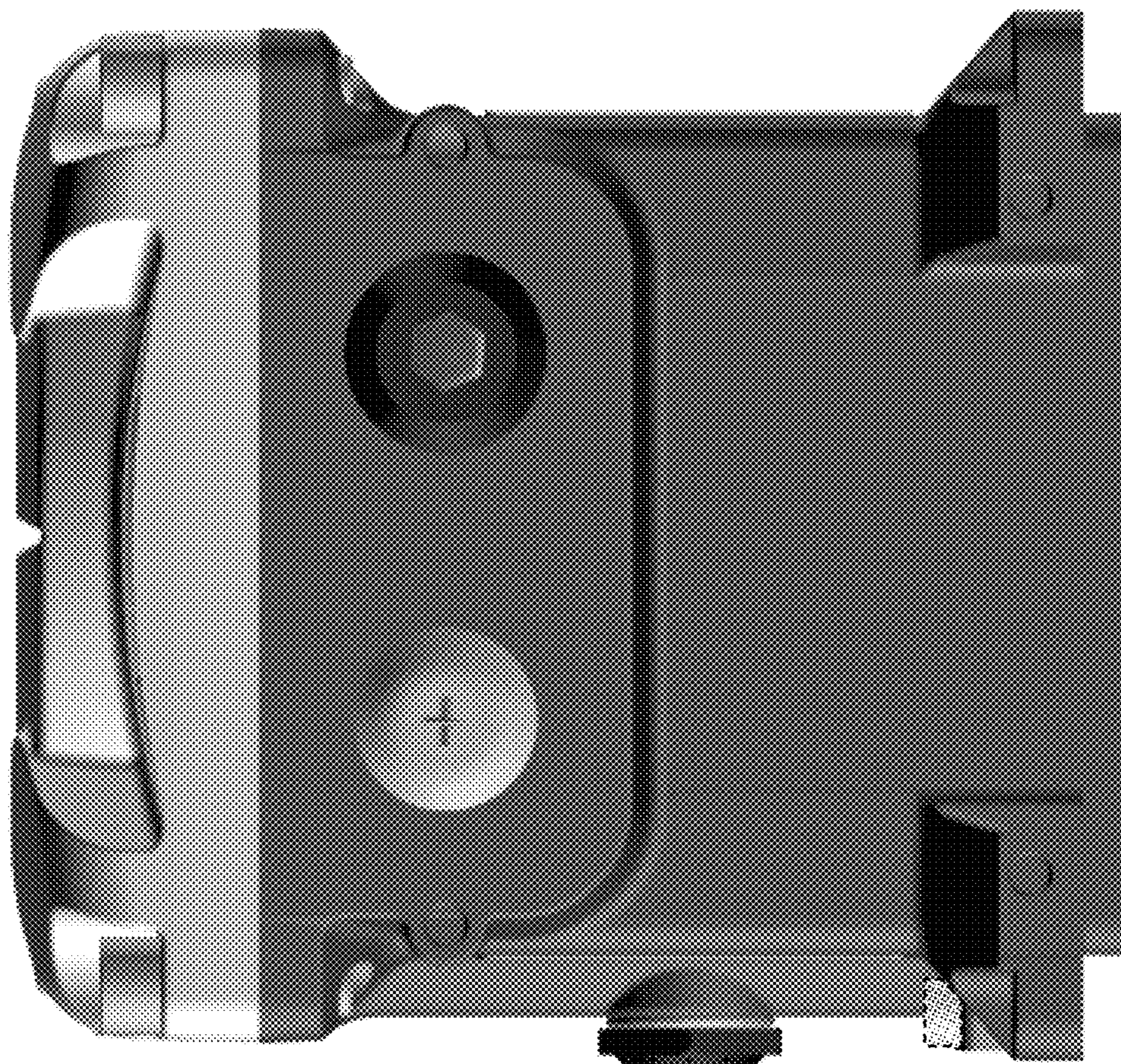


FIG. 5

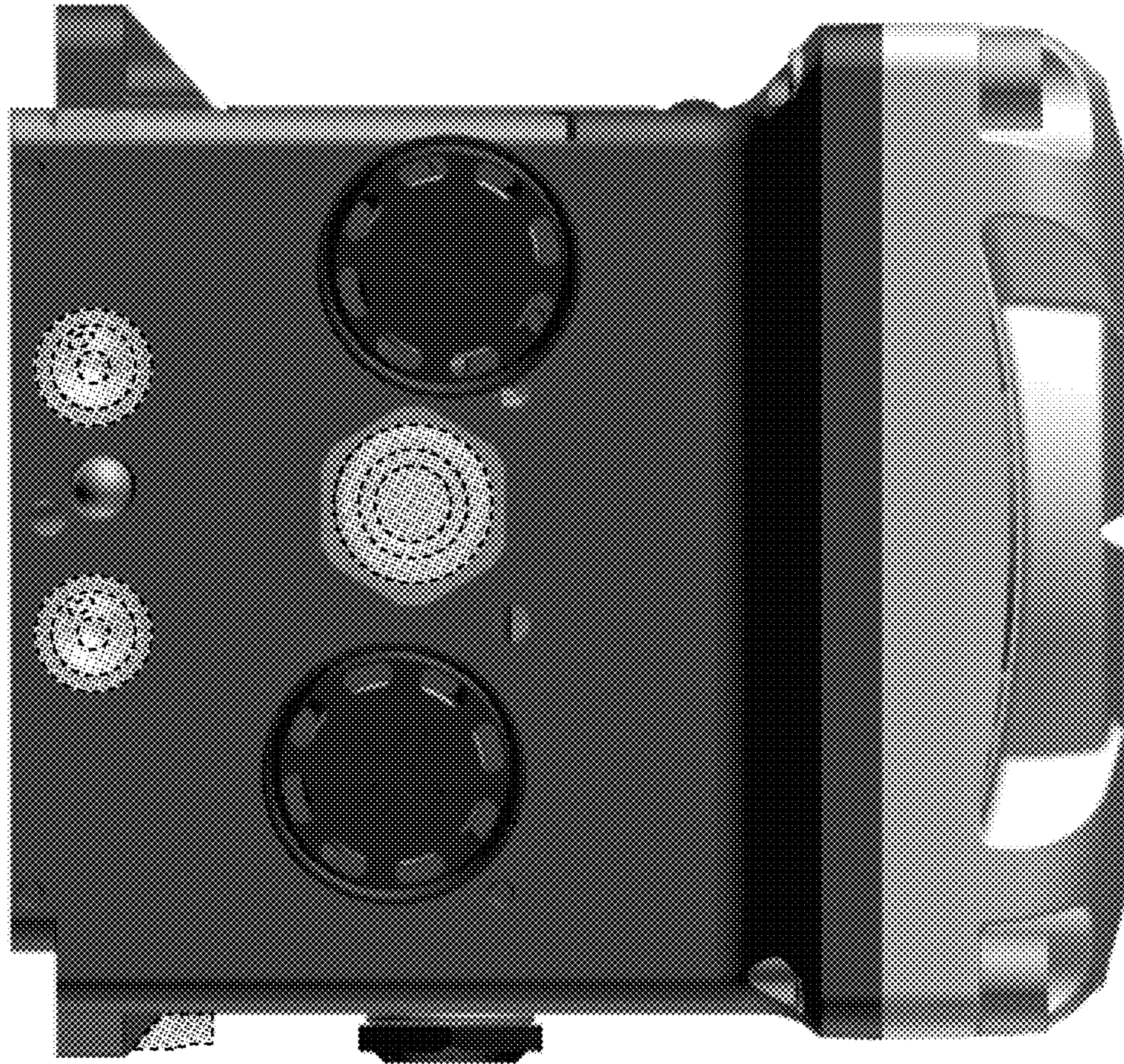


FIG. 6

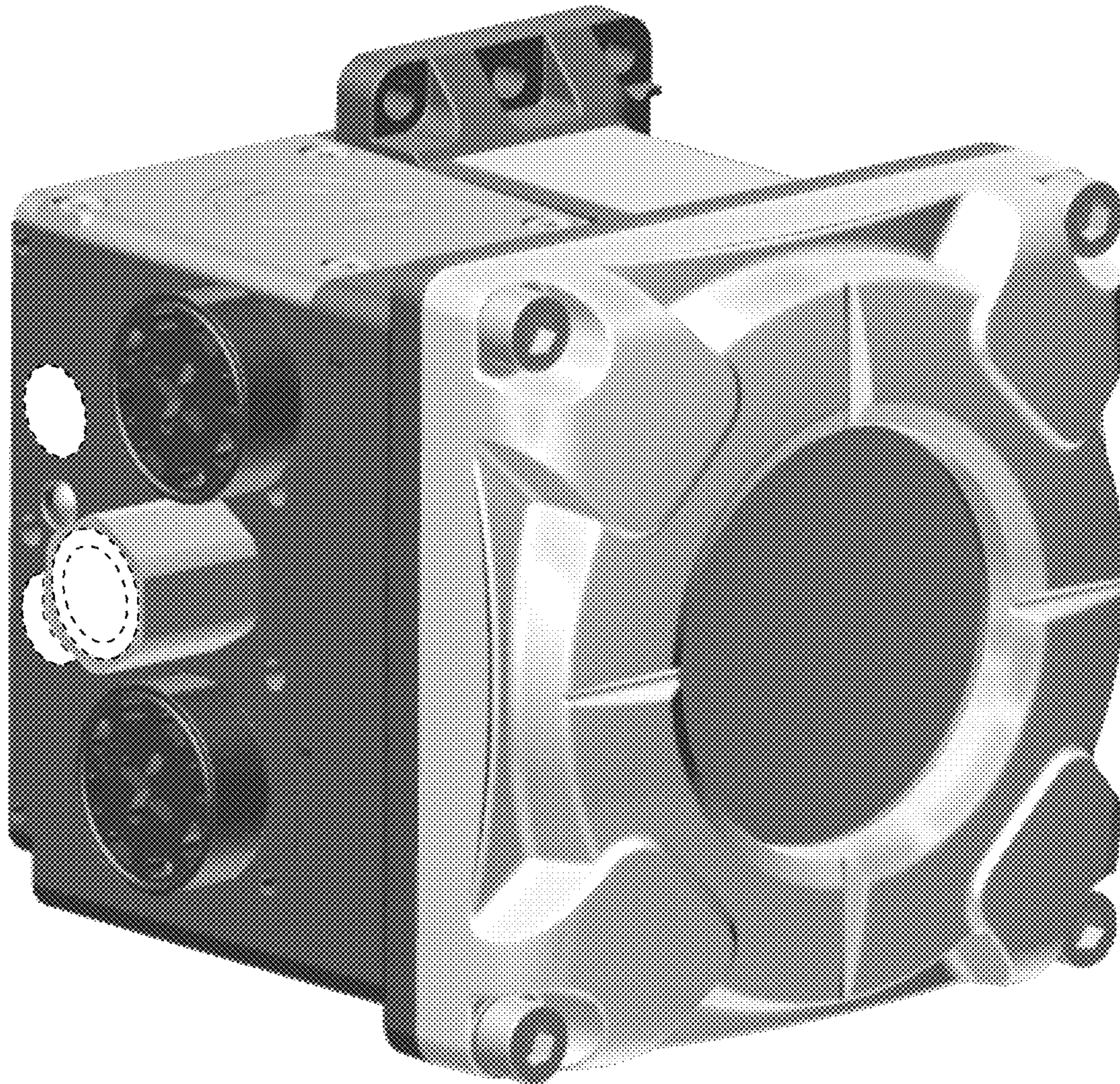


FIG. 7