



US00D872838S

(12) **United States Design Patent**
Callaghan

(10) **Patent No.:** **US D872,838 S**

(45) **Date of Patent:** **** Jan. 14, 2020**

- (54) **GATE BOX SAFETY RISER**
- (71) Applicant: **David Callaghan**, Quincy, MA (US)
- (72) Inventor: **David Callaghan**, Quincy, MA (US)
- (**) Term: **15 Years**
- (21) Appl. No.: **29/624,309**
- (22) Filed: **Oct. 31, 2017**
- (51) **LOC (12) Cl.** **23-01**
- (52) **U.S. Cl.**
USPC **D23/249**
- (58) **Field of Classification Search**
USPC D23/249, 233, 244, 26; 404/25, 26;
52/20, 21; 137/371, 364, 377, 382, 362;
405/55, 133, 25; D25/35, 121, 5, 36;
D21/484, 502
CPC E02D 29/1409; E02D 29/14; E02D 29/12;
E02D 29/121; F16K 27/12; A63H 33/04
See application file for complete search history.

- 6,385,913 B1 5/2002 Ahn
- 6,435,764 B1 8/2002 McNeely
- 6,651,391 B2 * 11/2003 Nale E02D 29/12
52/19
- 6,931,793 B2 * 8/2005 Joyce E04D 13/0315
52/20
- D570,492 S * 6/2008 Denmon D25/35
- 8,555,555 B2 * 10/2013 Cardwell E02D 29/12
52/20
- 8,726,577 B2 * 5/2014 Whiting E04D 13/0335
52/20
- 8,943,767 B2 * 2/2015 Lewis E04D 13/0335
52/20
- D753,800 S * 4/2016 Callaghan D23/249
- 2002/0176743 A1 11/2002 Shumlansky et al.
- 2014/0328622 A1 11/2014 Wasiuta et al.

* cited by examiner

Primary Examiner — Gino Colan
(74) *Attorney, Agent, or Firm* — John P. McGonagle

(57) **CLAIM**

The ornamental design for a gate box safety riser, as shown.

(56) **References Cited**

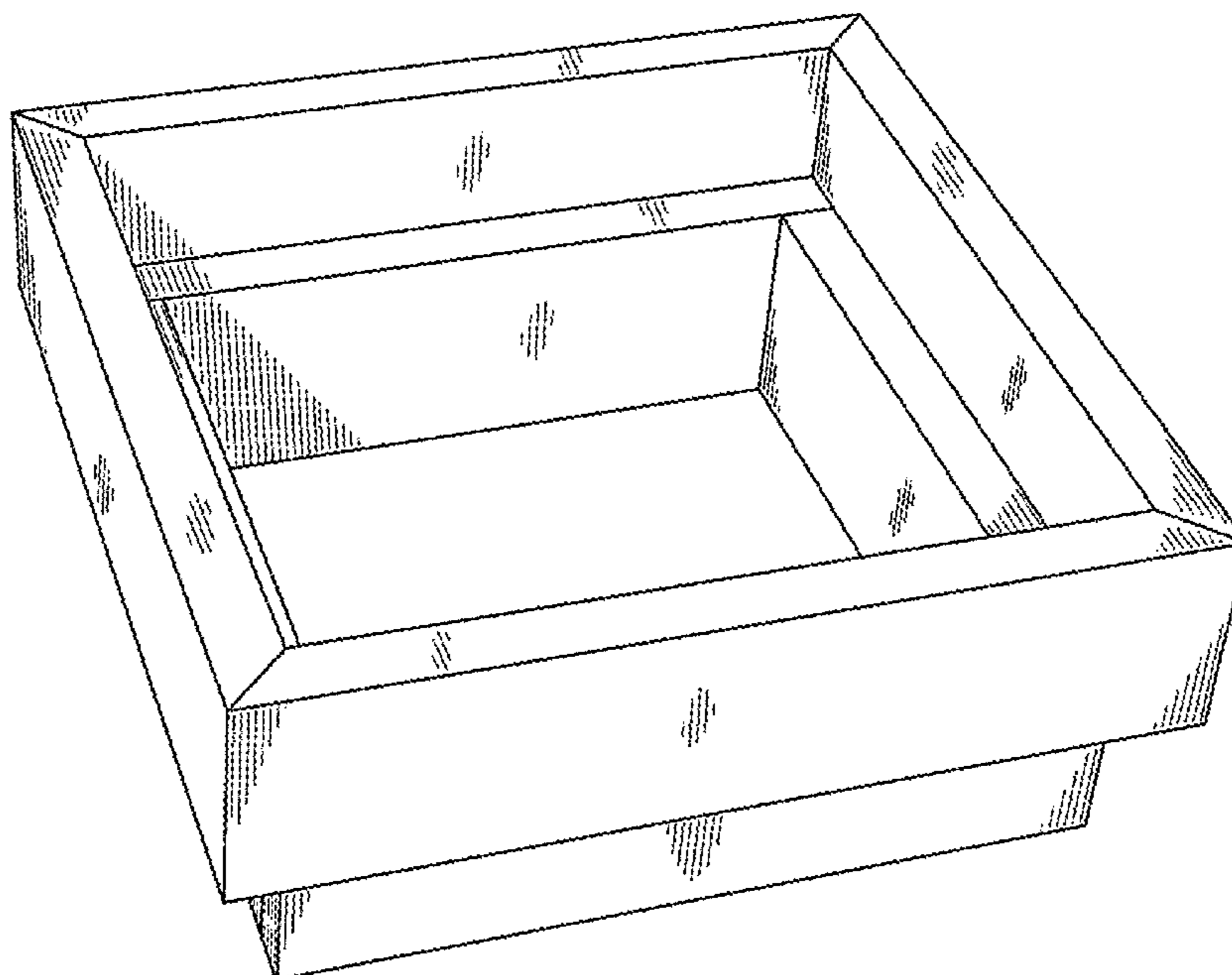
U.S. PATENT DOCUMENTS

- 2,993,600 A 7/1961 Ressler
- 4,010,051 A 3/1977 Ingrey et al.
- D246,384 S 11/1977 Brown et al.
- 4,163,503 A 8/1979 McKinnon
- 4,544,302 A 10/1985 Farrelly
- 5,320,445 A 6/1994 Farrelly
- 5,394,898 A 3/1995 Turner
- 5,542,780 A * 8/1996 Kourgli E02D 29/12
52/20
- 5,996,612 A 12/1999 Crawford

DESCRIPTION

FIG. 1 is a side perspective view of a gate box safety riser showing my new design;
FIG. 2 is top view thereof;
FIG. 3 is a front view thereof;
FIG. 4 is a rear view thereof;
FIG. 5 is a bottom view thereof;
FIG. 6 is a right side view thereof; and,
FIG. 7 is a left side view thereof.

1 Claim, 4 Drawing Sheets



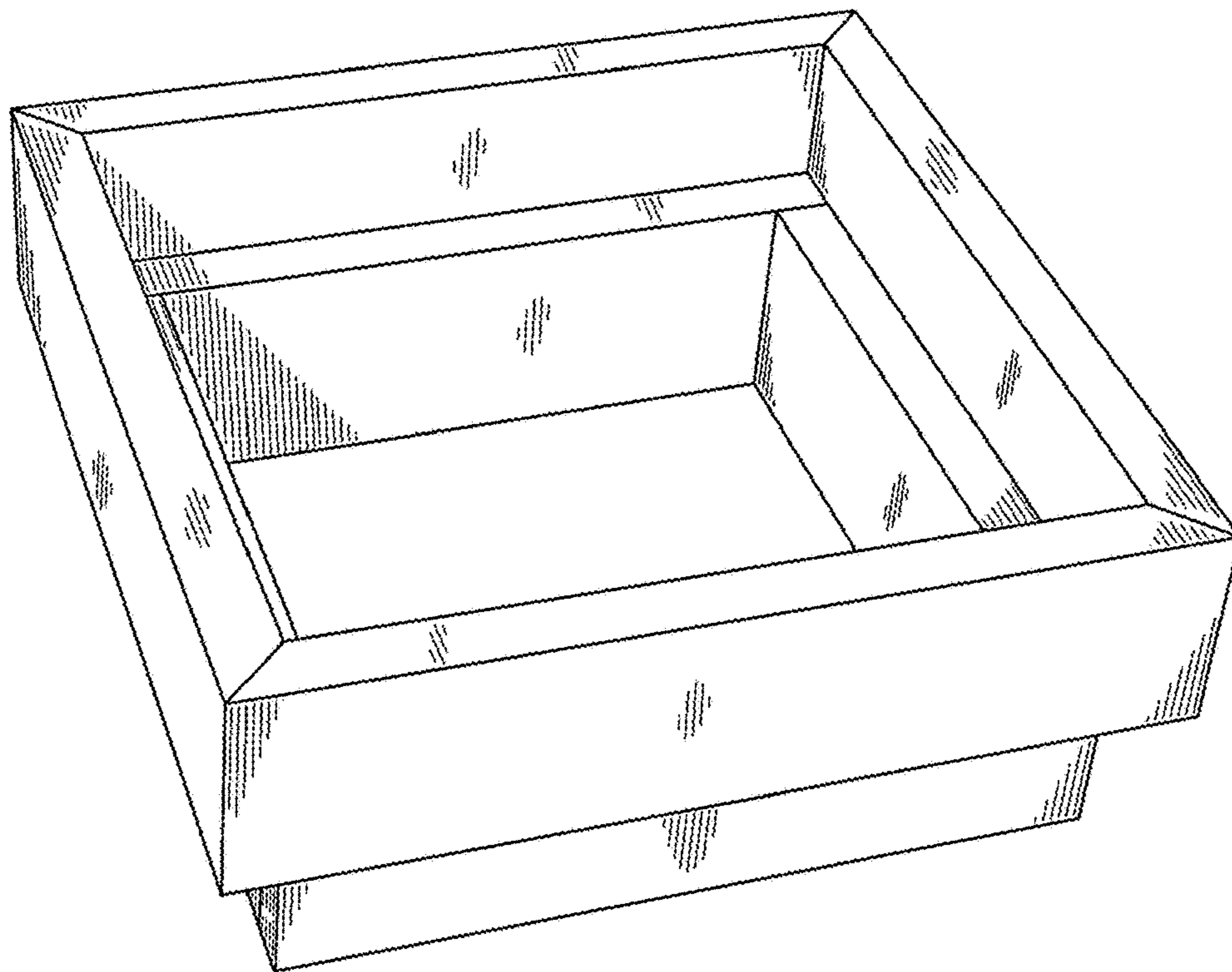


FIG. 1

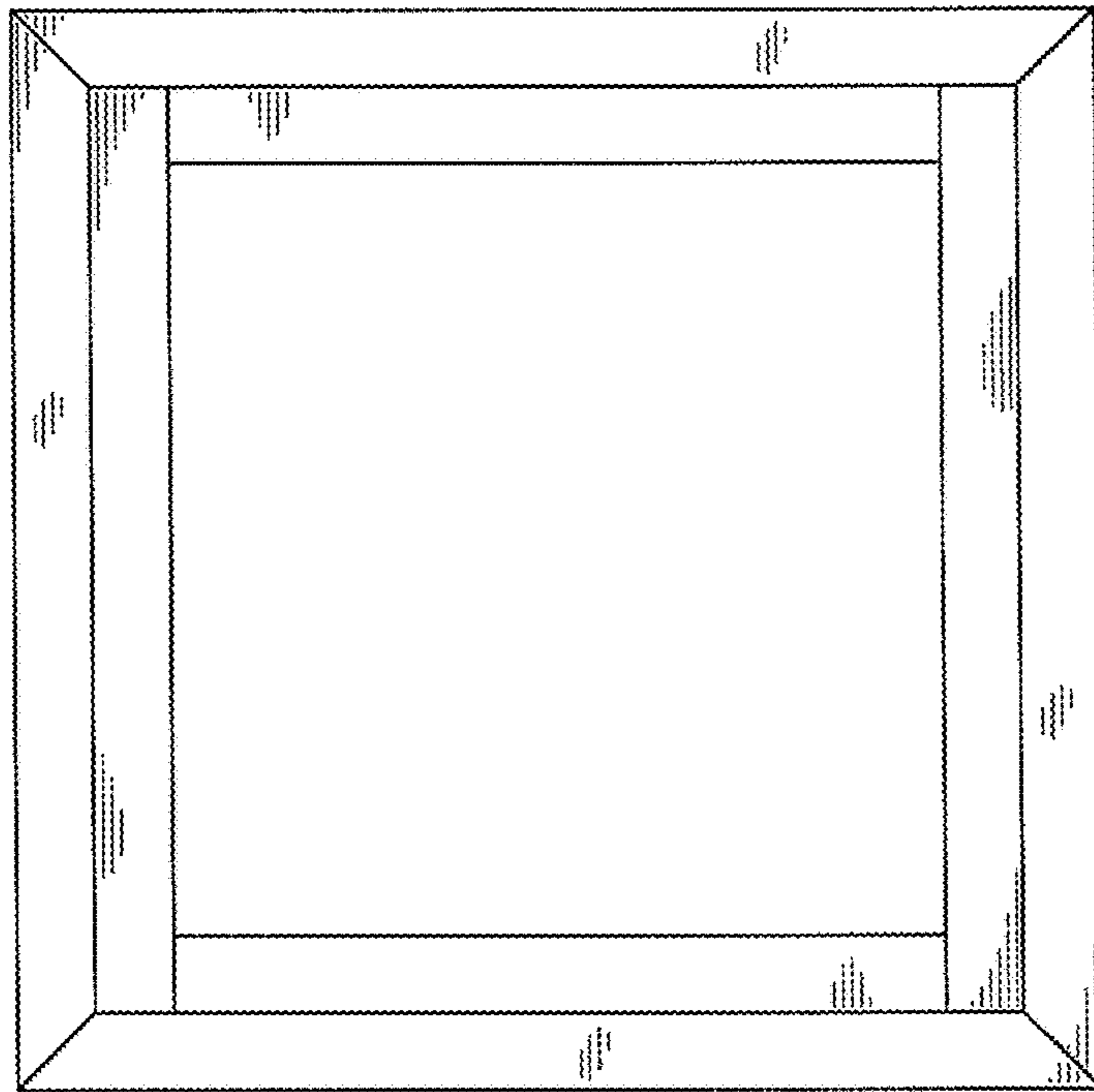


FIG. 2

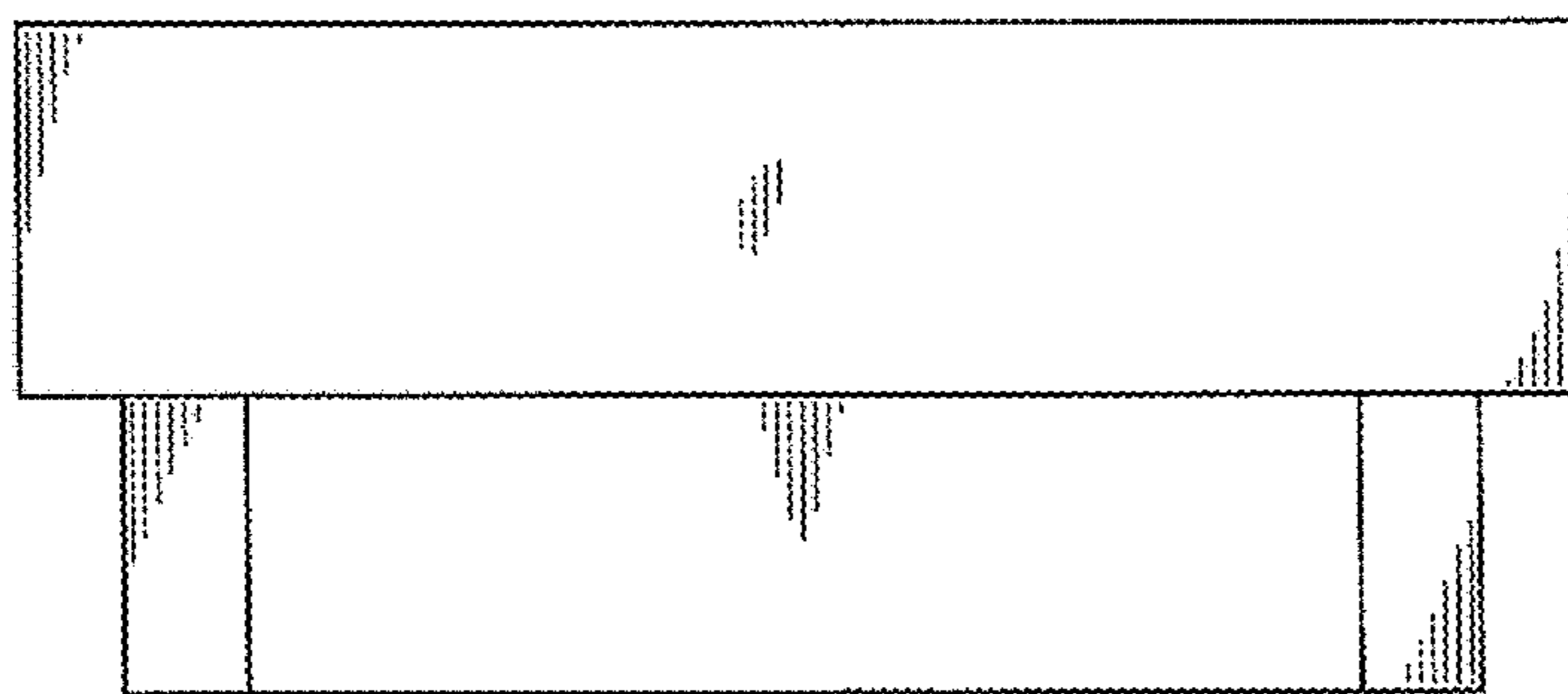


FIG. 3

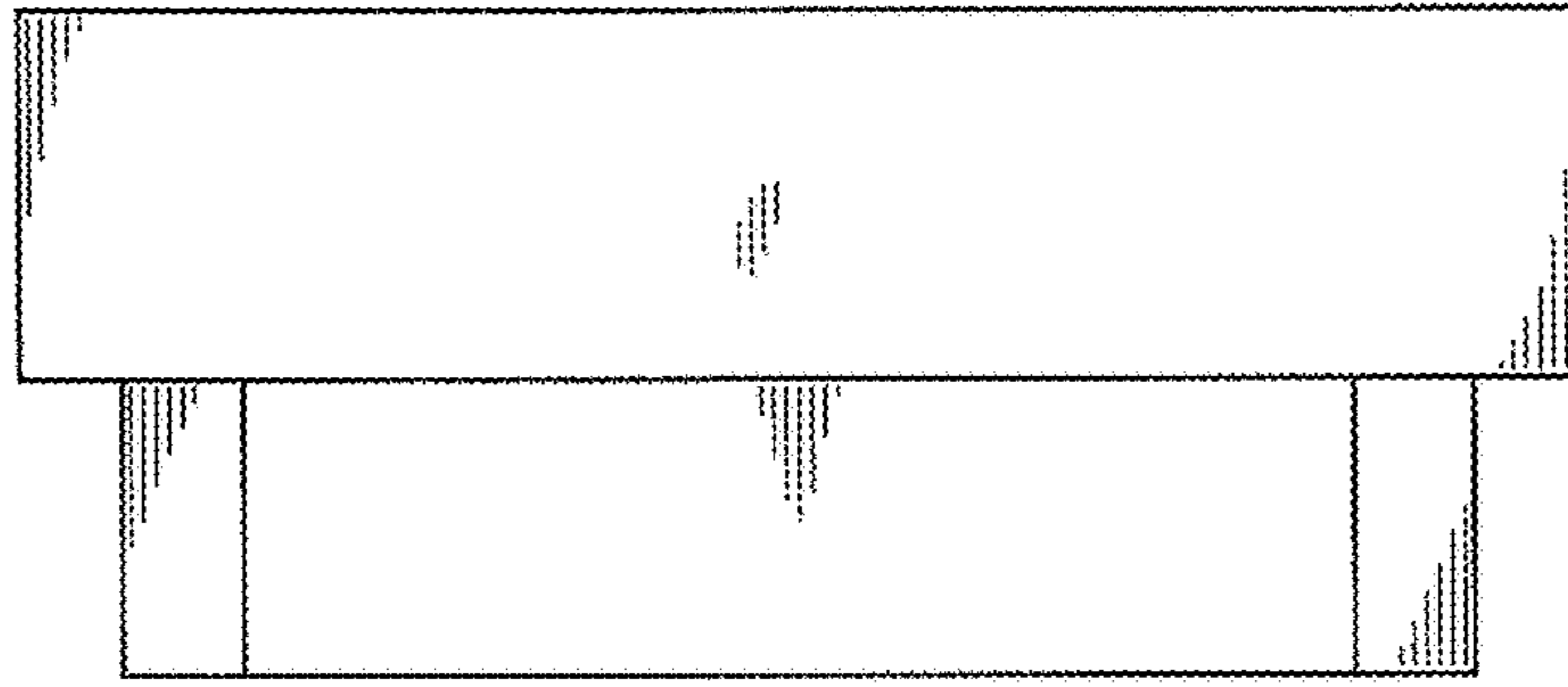


FIG. 4

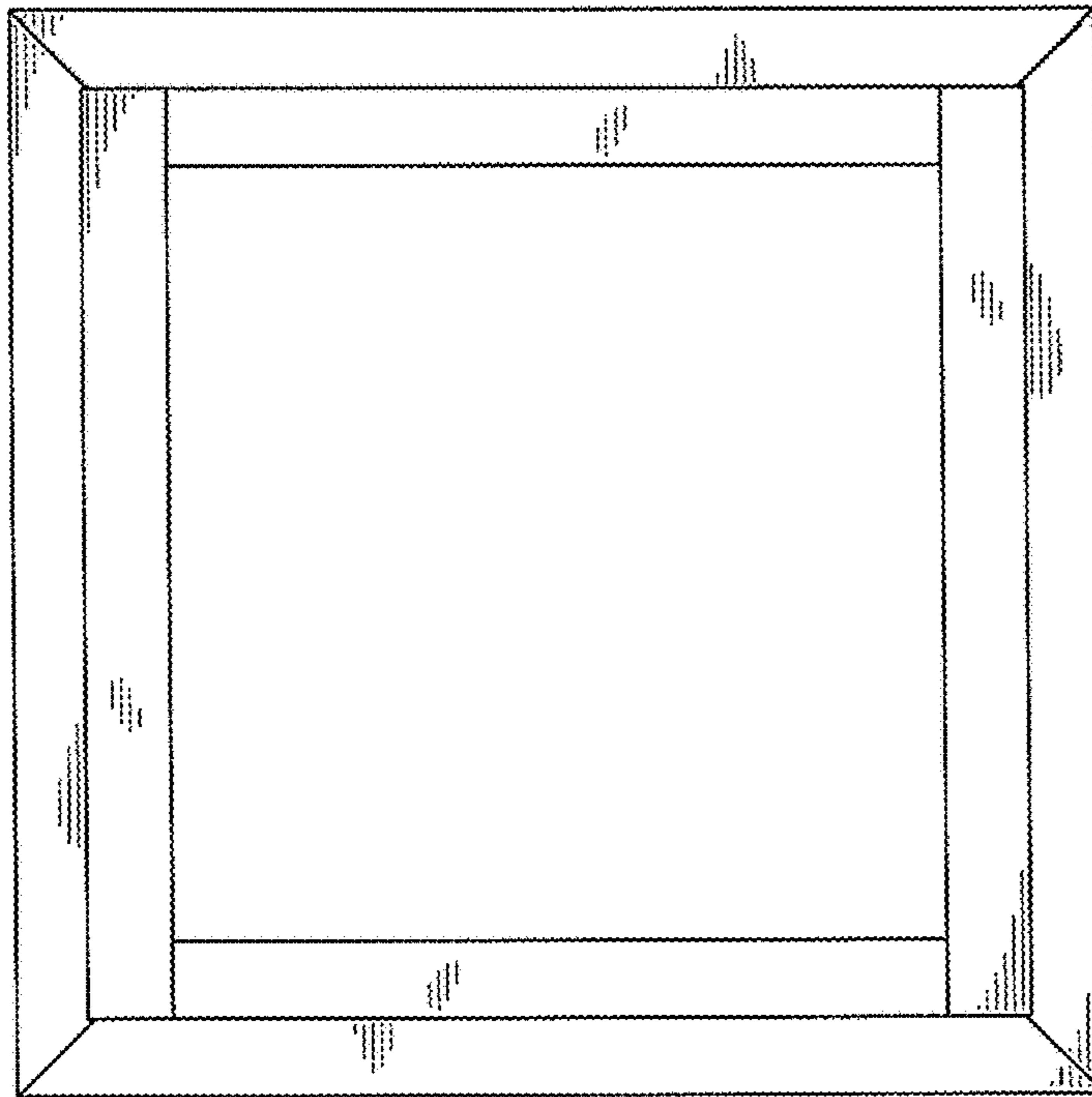


FIG. 5

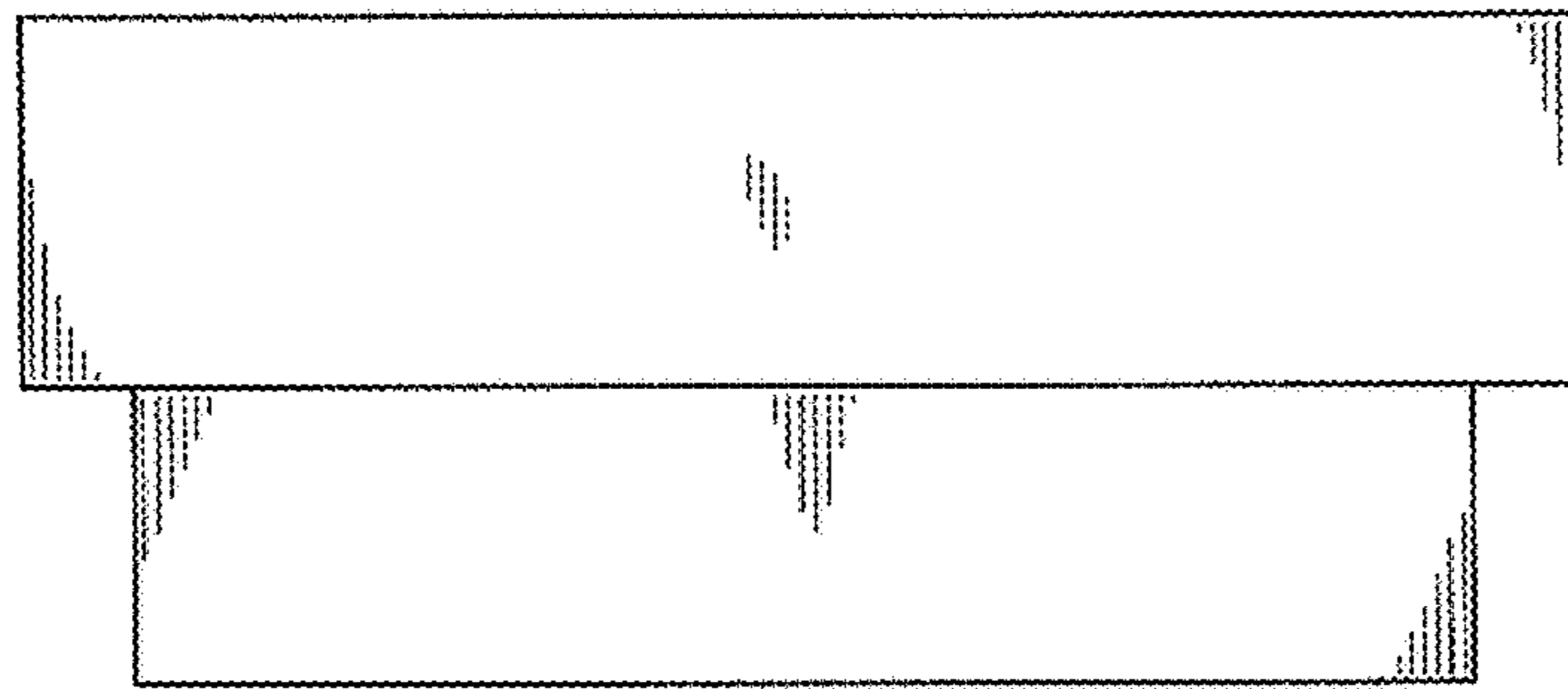


FIG. 6

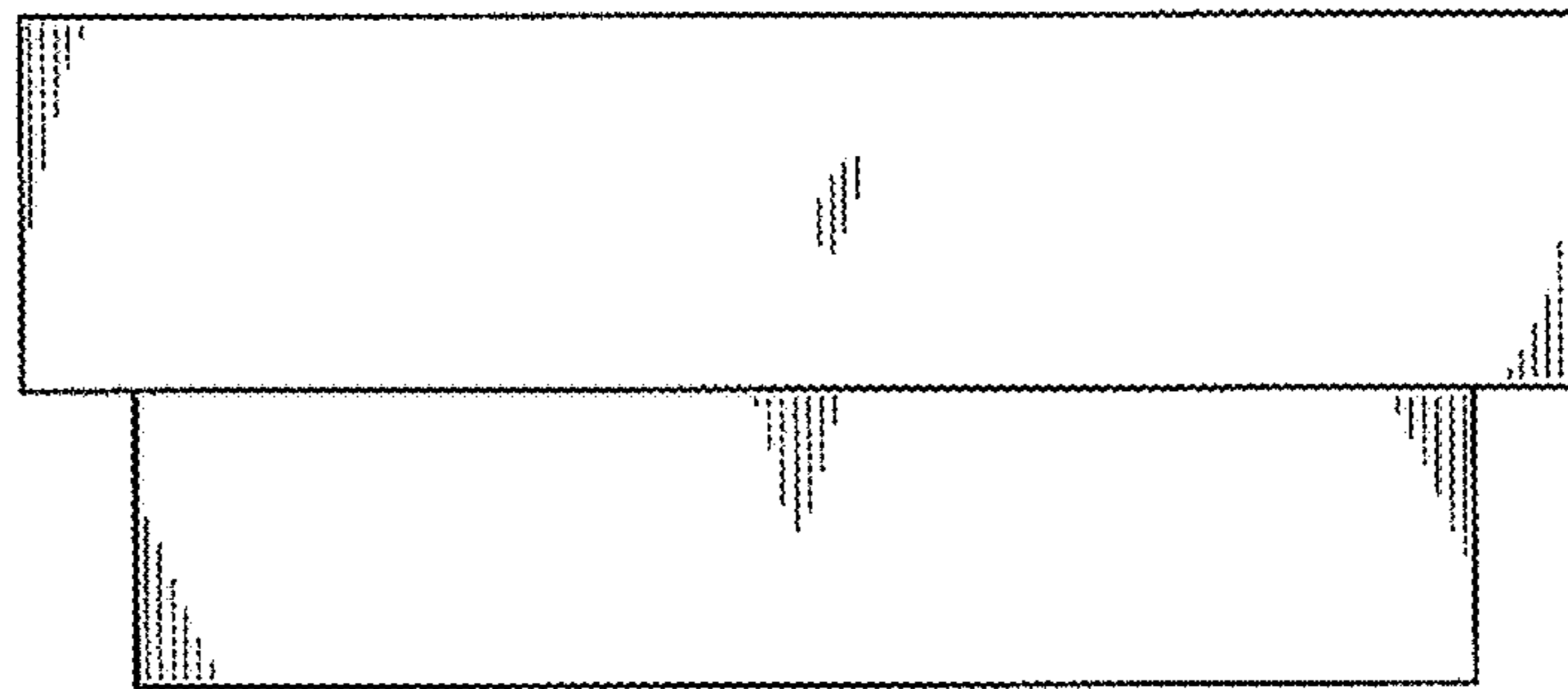


FIG. 7