



US00D872837S

(12) **United States Design Patent**
Hulstein et al.

(10) **Patent No.:** **US D872,837 S**
(45) **Date of Patent:** **** Jan. 14, 2020**

- (54) **BLEED NEEDLE**
- (71) Applicant: **QA1 Precision Products, Inc.**,
Lakeville, MN (US)
- (72) Inventors: **Andrew J. Hulstein**, Apple Valley, MN
(US); **Charles C. Olson**, Cannon Falls,
MN (US); **Marshall J. Fegers**, Savage,
MN (US)
- (73) Assignee: **QA1 Precision Products, Inc.**,
Lakeville, MN (US)
- (**) Term: **15 Years**

- 2,758,365 A 8/1956 Ricefield
- 2,767,034 A 10/1956 McCloskey
- 3,127,664 A 4/1964 Zurick
- 3,140,130 A 7/1964 Barr
- 3,179,477 A 4/1965 Carter
- 3,225,420 A 12/1965 Sullivan, Jr.
- 3,499,201 A 3/1970 Roos
- 3,546,762 A 12/1970 Martin
- 3,586,396 A 6/1971 Barr
- 3,592,519 A 7/1971 Martin
- 3,623,781 A 11/1971 Roos
- 3,666,331 A 5/1972 Curtis et al.
- 3,709,573 A 1/1973 Orkin et al.
- 3,834,772 A 9/1974 Bowen
- 3,871,093 A 3/1975 Ladin

(Continued)

- (21) Appl. No.: **29/615,342**
- (22) Filed: **Aug. 28, 2017**
- (51) **LOC (12) Cl.** **23-01**
- (52) **U.S. Cl.**
USPC **D23/249**
- (58) **Field of Classification Search**
USPC D23/233, 235, 241, 249, 237, 247, 248;
384/472, 130, 288, 434, 294, 569, 203,
384/503, 264, 208, 206, 49, 570;
188/284, 297, 322.2, 322.13, 275, 314,
188/318, 313, 310; 267/64.15; 335/205;
251/26, 343; 137/381; 141/1; D12/159,
D12/118, 48; D8/310, 307, 311, 354;
D9/454, 435, 503; D24/127
CPC F16F 9/06; B60S 5/00; F16K 21/185
See application file for complete search history.

FOREIGN PATENT DOCUMENTS

- JP 3821463 B2 9/2006
- WO 2016088536 A1 6/2016

(Continued)

Primary Examiner — Gino Colan

(74) *Attorney, Agent, or Firm* — Merchant & Gould P.C.

(57) **CLAIM**

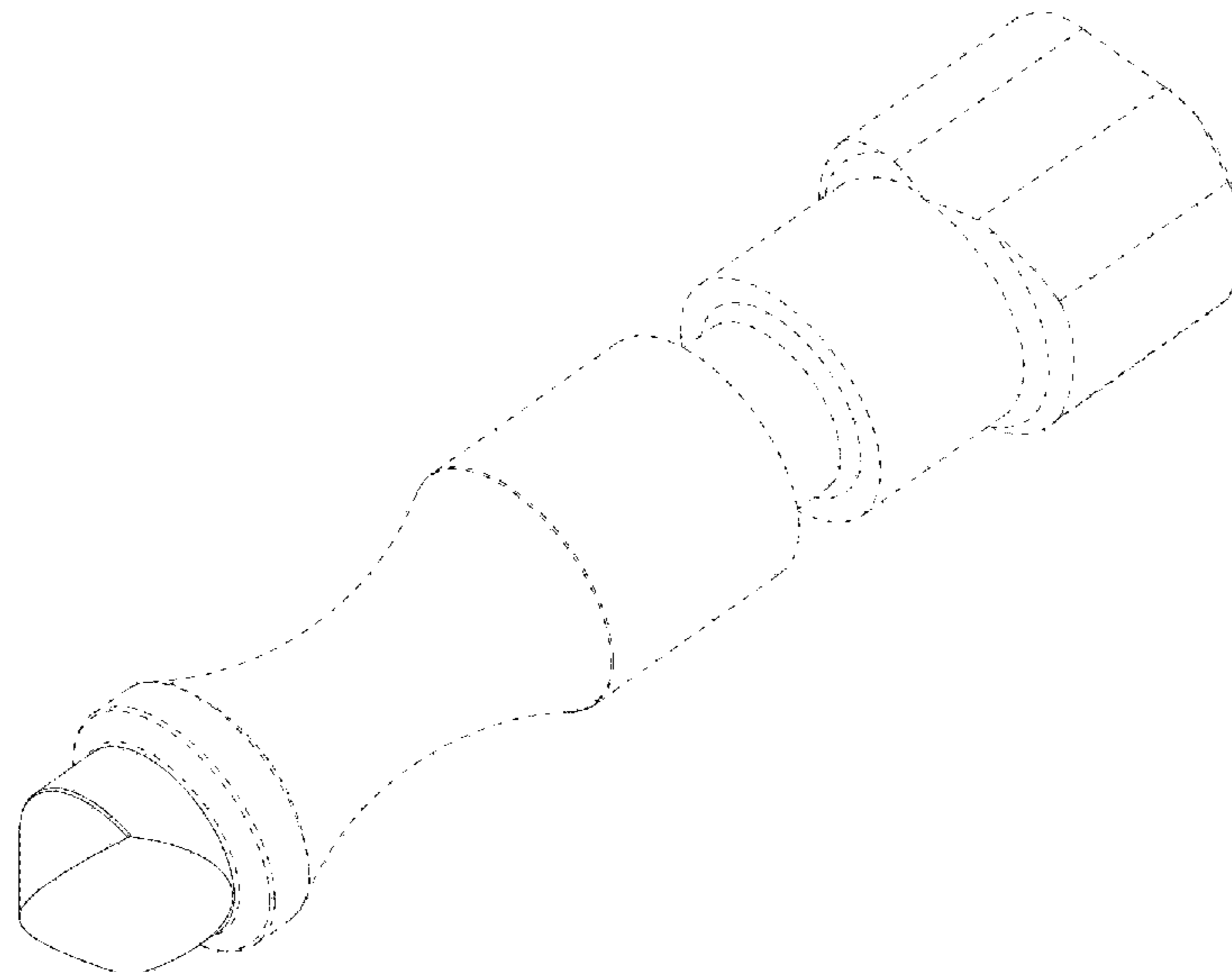
The ornamental design for a bleed needle, as shown and described.

DESCRIPTION

FIG. 1 is a front isometric view of a bleed needle showing our new design;
 FIG. 2 is a right side view thereof;
 FIG. 3 is a left side view thereof;
 FIG. 4 is rear view thereof;
 FIG. 5 is a front view thereof;
 FIG. 6 is a top view thereof; and,
 FIG. 7 is a bottom view thereof.
 The broken lines in the drawings represent portions of the bleed needle that form no part of the claimed design.

- (56) **References Cited**
U.S. PATENT DOCUMENTS
- 1,675,728 A 7/1928 Pierce, Jr.
- 1,903,377 A 4/1933 Moorhouse
- 2,624,645 A 1/1953 Virtue
- 2,648,578 A 8/1953 Stearns et al.
- 2,672,952 A 3/1954 Smith
- D175,538 S 9/1955 Dawson

1 Claim, 4 Drawing Sheets



(56)

References Cited

U.S. PATENT DOCUMENTS

3,884,406 A 5/1975 Bowen
 3,909,084 A 9/1975 Snidar et al.
 3,988,818 A 11/1976 Allison
 3,999,872 A 12/1976 Allison
 4,028,784 A 6/1977 Allison
 4,057,355 A 11/1977 Allison
 4,059,361 A 11/1977 Allison
 4,154,270 A * 5/1979 Holmes B60S 5/00
 141/1
 4,240,682 A 12/1980 Benson
 4,298,102 A 11/1981 Nishikawa et al.
 4,412,372 A 11/1983 Olschewski et al.
 4,541,157 A 9/1985 Tsushima et al.
 4,643,595 A 2/1987 Weavers
 4,684,267 A 8/1987 Fetouh
 4,732,244 A 3/1988 Verkuylen
 4,821,386 A 4/1989 Simon et al.
 4,834,140 A * 5/1989 Schmidt B60T 11/30
 137/381
 4,860,419 A 8/1989 Hekman
 4,884,900 A 12/1989 Pirault et al.
 5,208,979 A 5/1993 Schmidt
 5,423,615 A 6/1995 Hara et al.
 5,460,355 A 10/1995 Danek
 5,536,089 A 7/1996 Weber et al.
 5,551,782 A 9/1996 Arnhold et al.
 5,711,074 A 1/1998 Harimoto et al.
 5,733,049 A 3/1998 Shimmell
 5,735,048 A 4/1998 Peters
 5,775,817 A 7/1998 Gottomoller et al.
 6,105,740 A 8/2000 Marzocchi et al.
 6,146,471 A 11/2000 Hartl et al.
 6,217,222 B1 4/2001 Mattson et al.
 6,287,011 B1 9/2001 Hartl et al.
 6,609,299 B2 8/2003 Adachi
 6,659,241 B2 12/2003 Sendrea
 6,961,997 B2 11/2005 Kubota et al.
 7,484,603 B2 2/2009 Fox
 7,743,896 B2 6/2010 Vanhees et al.
 7,766,138 B2 8/2010 Sintorn
 7,946,163 B2 5/2011 Gartner
 8,251,590 B2 8/2012 Gibby et al.
 D670,307 S 11/2012 Shimozaki
 8,403,115 B2 3/2013 Gartner
 8,528,876 B2 * 9/2013 Straatman F16K 31/385
 251/26
 8,561,714 B2 10/2013 Storm et al.
 8,564,390 B1 * 10/2013 McDannald F16K 21/185
 335/205
 8,695,765 B2 4/2014 Danek et al.

8,721,184 B2 5/2014 Voisine et al.
 8,770,594 B2 7/2014 Tominaga et al.
 8,800,973 B2 * 8/2014 Pelot F16F 9/06
 267/64.15
 8,807,302 B2 8/2014 Nygren et al.
 8,807,542 B2 * 8/2014 Galasso F16F 9/06
 267/64.15
 8,819,939 B2 9/2014 Pohlman et al.
 8,838,335 B2 9/2014 Galasso et al.
 8,925,933 B2 1/2015 Haugen
 8,955,654 B2 2/2015 Nygren et al.
 9,010,504 B2 4/2015 Janes
 9,027,719 B2 5/2015 Ito
 9,038,791 B2 5/2015 Marking
 9,091,319 B2 7/2015 Ishii et al.
 9,091,320 B1 7/2015 Smith et al.
 9,103,401 B2 8/2015 Fox
 D747,641 S 1/2016 Reynolds
 9,228,630 B2 1/2016 Coaplen
 9,261,160 B2 * 2/2016 Lee F16F 9/5126
 9,303,712 B2 4/2016 Cox
 9,333,829 B2 5/2016 King et al.
 9,341,226 B2 5/2016 Marking
 9,447,835 B2 9/2016 Kim
 9,528,565 B2 12/2016 Marking
 9,695,900 B2 7/2017 Roessle et al.
 9,816,578 B2 * 11/2017 Galasso F16F 9/06
 10,132,246 B2 * 11/2018 Lior F01D 25/32
 D841,779 S * 2/2019 Penkkimaki D23/249
 2005/0121642 A1 * 6/2005 Purdy B60T 17/222
 251/343
 2005/0145466 A1 7/2005 Wang
 2006/0104559 A1 5/2006 Wingett et al.
 2007/0269150 A1 11/2007 Guilford
 2009/0277166 A1 11/2009 Walz
 2012/0325046 A1 12/2012 Luchner et al.
 2013/0084035 A1 4/2013 Williams et al.
 2013/0228404 A1 9/2013 Marking
 2015/0290991 A1 10/2015 Cox
 2015/0375787 A1 12/2015 Adachi
 2016/0031285 A1 2/2016 Tucker et al.
 2016/0075204 A1 3/2016 Marking et al.
 2016/0319897 A1 11/2016 Mochizuki et al.
 2016/0363184 A1 12/2016 Noguchi et al.
 2017/0167562 A1 6/2017 King et al.
 2018/0119768 A1 5/2018 Cox
 2018/0202576 A1 7/2018 Mouton et al.

FOREIGN PATENT DOCUMENTS

WO 2016088629 A1 6/2016
 WO 2016151015 A1 9/2016

* cited by examiner

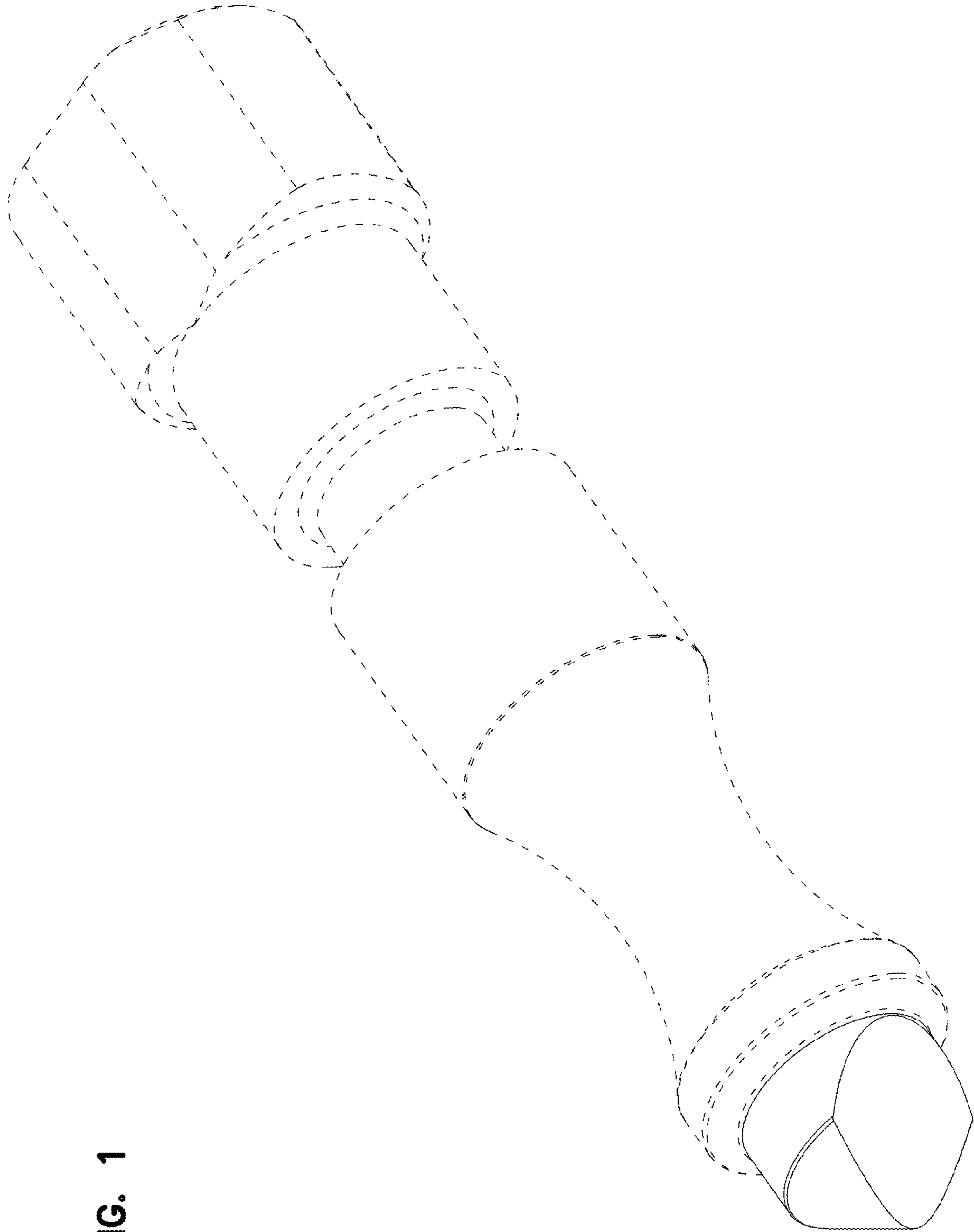


FIG. 1

FIG. 2

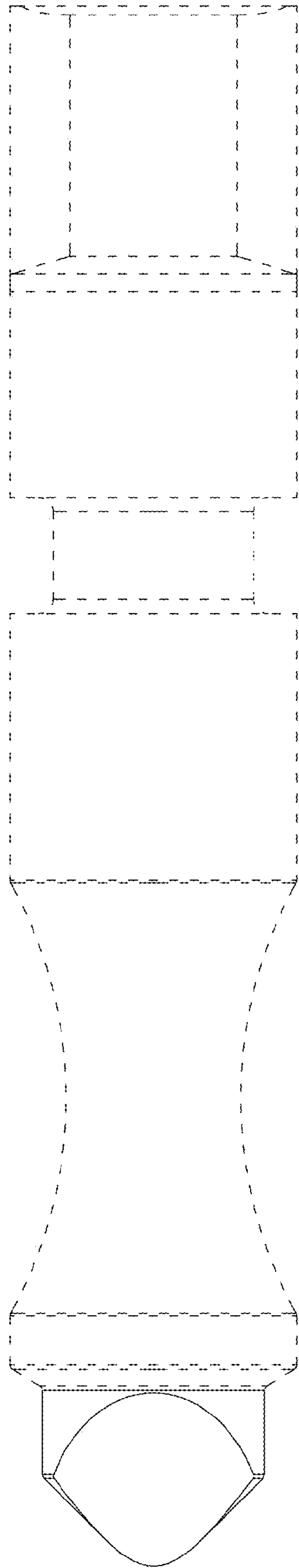


FIG. 3

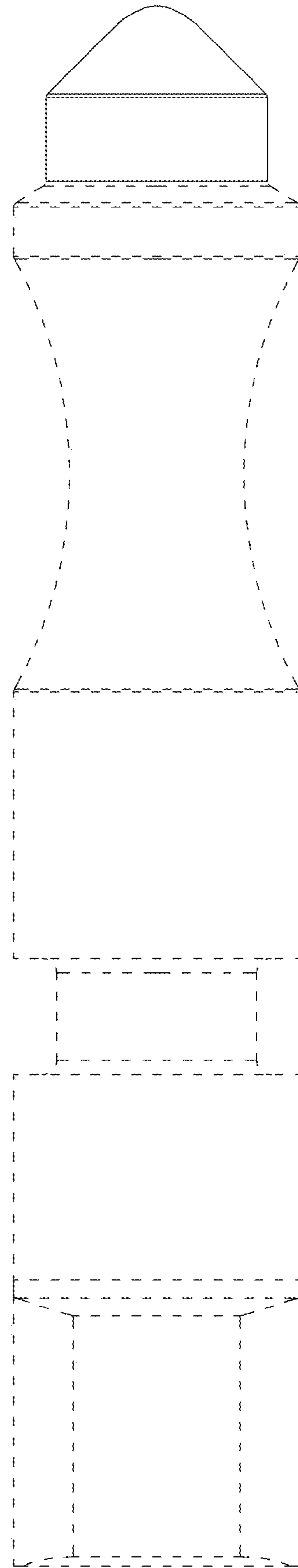


FIG. 4

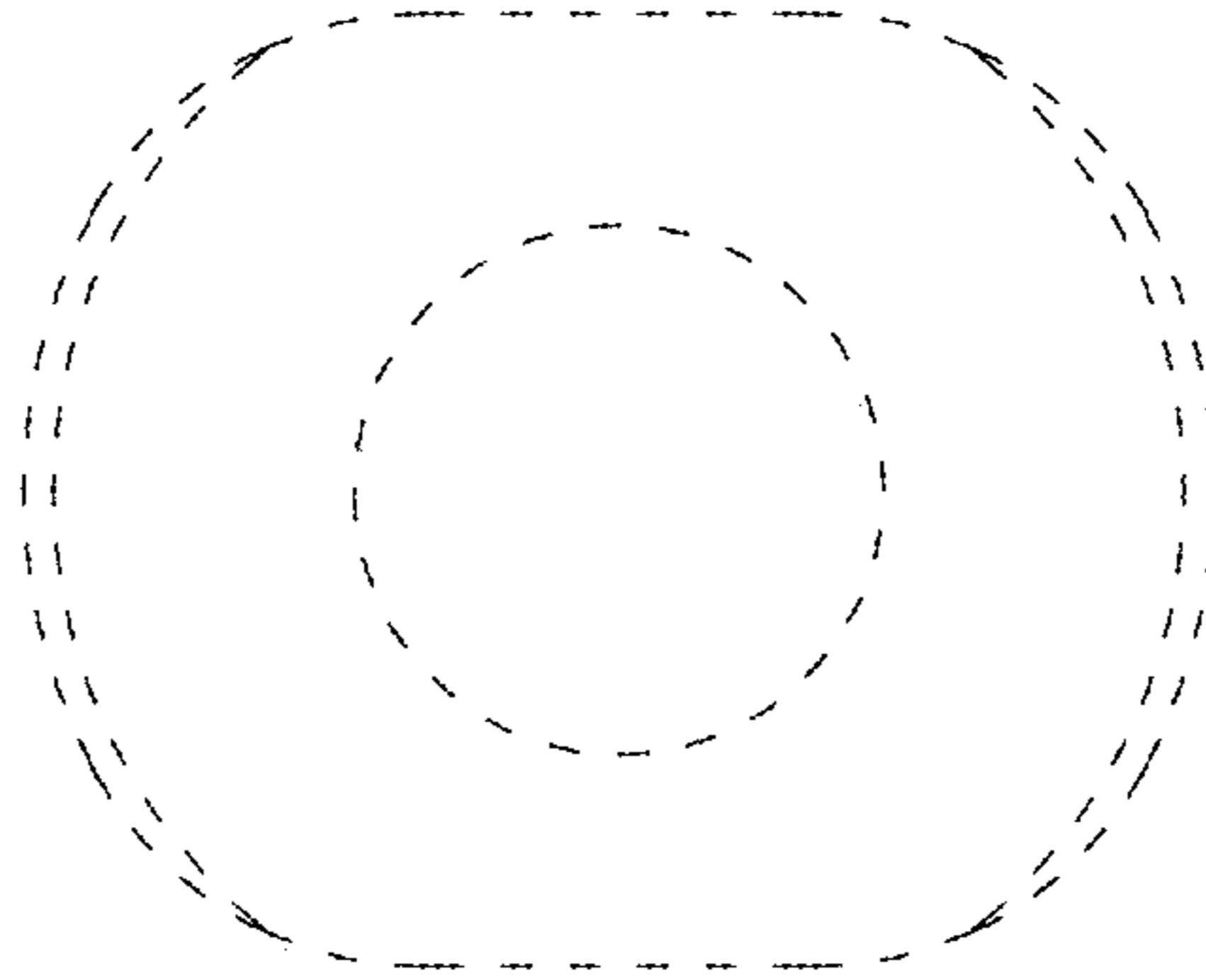
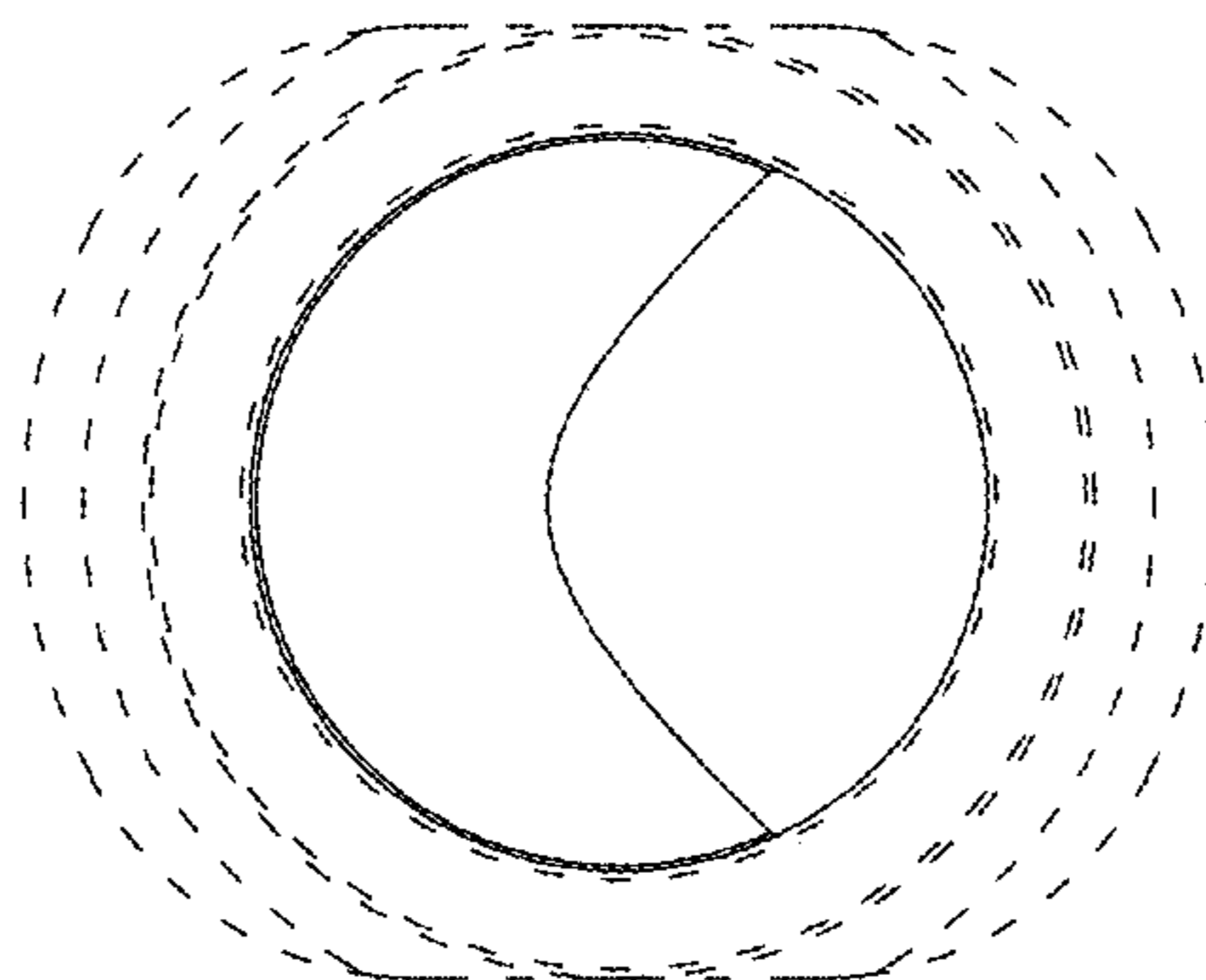


FIG. 5



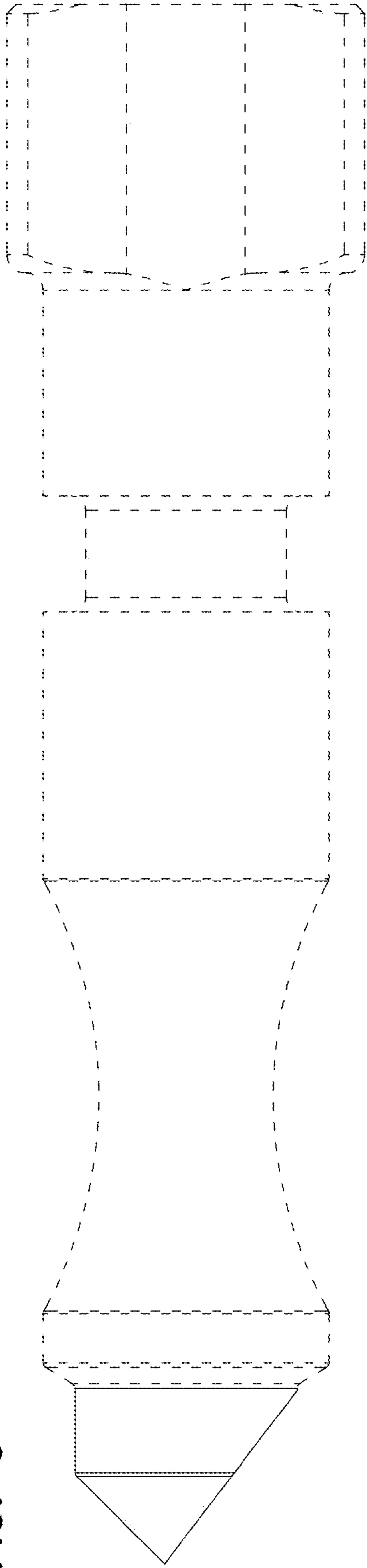


FIG. 6

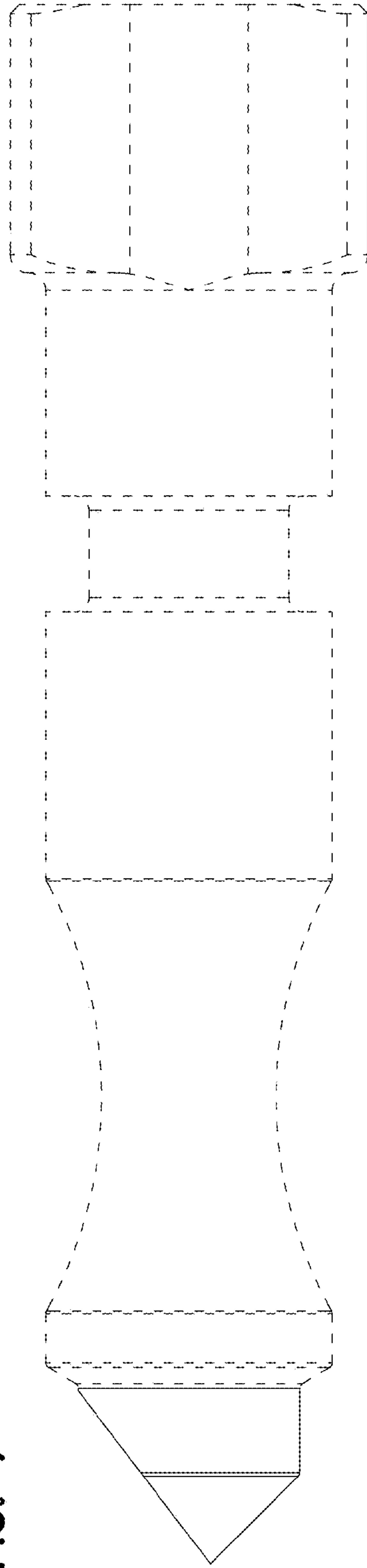


FIG. 7