

US00D872836S

(12) **United States Design Patent**
Nowicky et al.

(10) **Patent No.:** **US D872,836 S**
(45) **Date of Patent:** **** Jan. 14, 2020**

- (54) **BUTTERFLY VALVE**
- (71) Applicant: **A.R. Arena Products, Inc.**, Rochester, NY (US)
- (72) Inventors: **David Nowicky**, Fairport, NY (US);
Donald E. Wilcox, Rochester, NY (US)
- (73) Assignee: **A.R. Arena Products, Inc.**, Rochester, NY (US)

4,828,183 A 5/1989 Fink
 5,150,731 A * 9/1992 Jiro F16K 1/2265
 137/375
 6,029,949 A * 2/2000 Brown F16K 1/24
 251/305

(Continued)

FOREIGN PATENT DOCUMENTS

GB 1423335 2/1976
 GB 2533989 7/2016

Primary Examiner — Gino Colan
 (74) *Attorney, Agent, or Firm* — Bond, Schoeneck & King, PLLC; Jeffrey Powers

- (**) Term: **15 Years**
- (21) Appl. No.: **29/665,422**
- (22) Filed: **Oct. 3, 2018**
- (51) **LOC (12) Cl.** **23-01**
- (52) **U.S. Cl.**
USPC **D23/244**
- (58) **Field of Classification Search**
USPC D23/233, 249, 235, 237, 241, 244, 245;
137/15.25, 601.17, 625.31; 251/305, 306,
251/308, 173
CPC F16K 1/226; F16K 27/02; F16K 1/2265;
F16K 27/0218
See application file for complete search history.

(57) **CLAIM**

The ornamental design for a butterfly valve, as shown and described.

DESCRIPTION

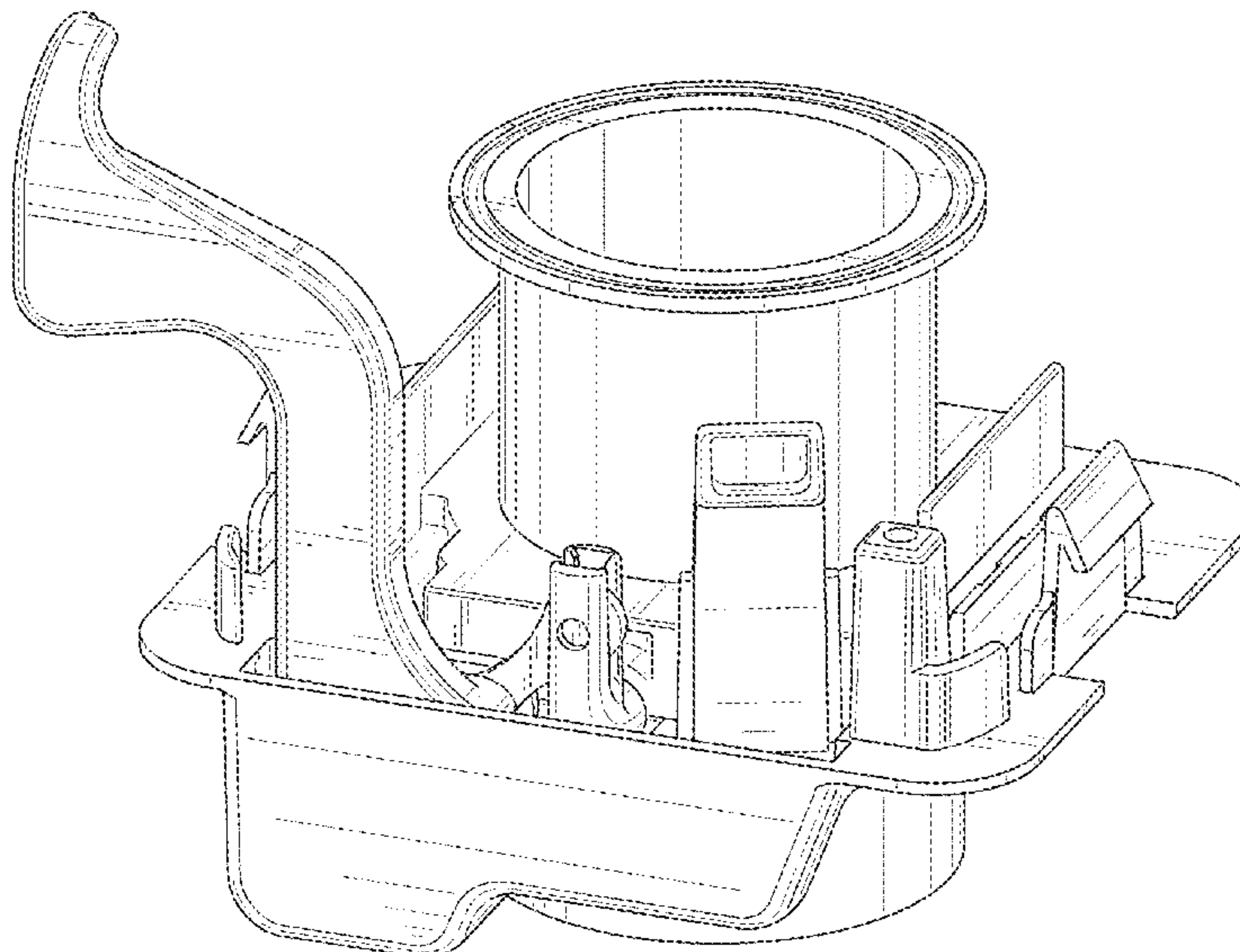
FIG. 1 is a top perspective view of a butterfly valve showing our new design, in a first state in which the valve body is fully open;
 FIG. 2 is a another top perspective view thereof;
 FIG. 3 is a bottom perspective view thereof;
 FIG. 4 is another perspective view thereof;
 FIG. 5 is a left side elevational view thereof;
 FIG. 6 is a right side elevational view thereof;
 FIG. 7 is a rear elevational view thereof;
 FIG. 8 is a front elevational view thereof;
 FIG. 9 is a top plan view thereof;
 FIG. 10 is a bottom plan view thereof;
 FIG. 11 is a top perspective view of the butterfly valve of FIG. 1, in a second state in which the valve body is closed;
 FIG. 12 is a bottom perspective view thereof;
 FIG. 13 is a left side elevational view thereof;
 FIG. 14 is a right side elevational view thereof;
 FIG. 15 is a rear elevational view thereof;
 FIG. 16 is a front elevational view thereof;
 FIG. 17 is a top plan view thereof; and,
 FIG. 18 is a bottom plan view thereof.

(56) **References Cited**

U.S. PATENT DOCUMENTS

3,568,975 A 3/1971 Obermaier
 3,633,872 A * 1/1972 Wright F16K 1/2265
 251/306
 3,767,163 A 10/1973 Mueller
 3,929,314 A 12/1975 Stratynski
 D251,255 S * 3/1979 Hansen D23/244
 D251,383 S * 3/1979 Hansen D23/244
 D264,493 S * 5/1982 Nyberg D23/244
 4,667,883 A 5/1987 Fink
 4,770,393 A * 9/1988 Hubertson F16K 1/2263
 251/306

1 Claim, 18 Drawing Sheets



(56)

References Cited

U.S. PATENT DOCUMENTS

6,793,197	B2 *	9/2004	DePenning	F16K 1/222 251/305
6,976,606	B2	12/2005	Anderson		
7,017,784	B2	3/2006	Ross		
7,404,542	B2	7/2008	Smith et al.		
7,762,528	B2	7/2010	Butruille		
8,727,306	B2	5/2014	Sisk		
9,139,345	B2	9/2015	Knutsson		
9,377,111	B2	6/2016	De Muinck		
9,783,347	B2	10/2017	Oostveen		
9,833,784	B2	12/2017	Wong et al.		
2004/0238568	A1	12/2004	Brimson		
2009/0090713	A1	4/2009	Berkefeld		
2011/0284787	A1	11/2011	Heij		
2012/0001112	A1	1/2012	Alkemade et al.		
2013/0112705	A1	5/2013	Mcgill et al.		
2015/0369391	A1	12/2015	Fang et al.		

* cited by examiner

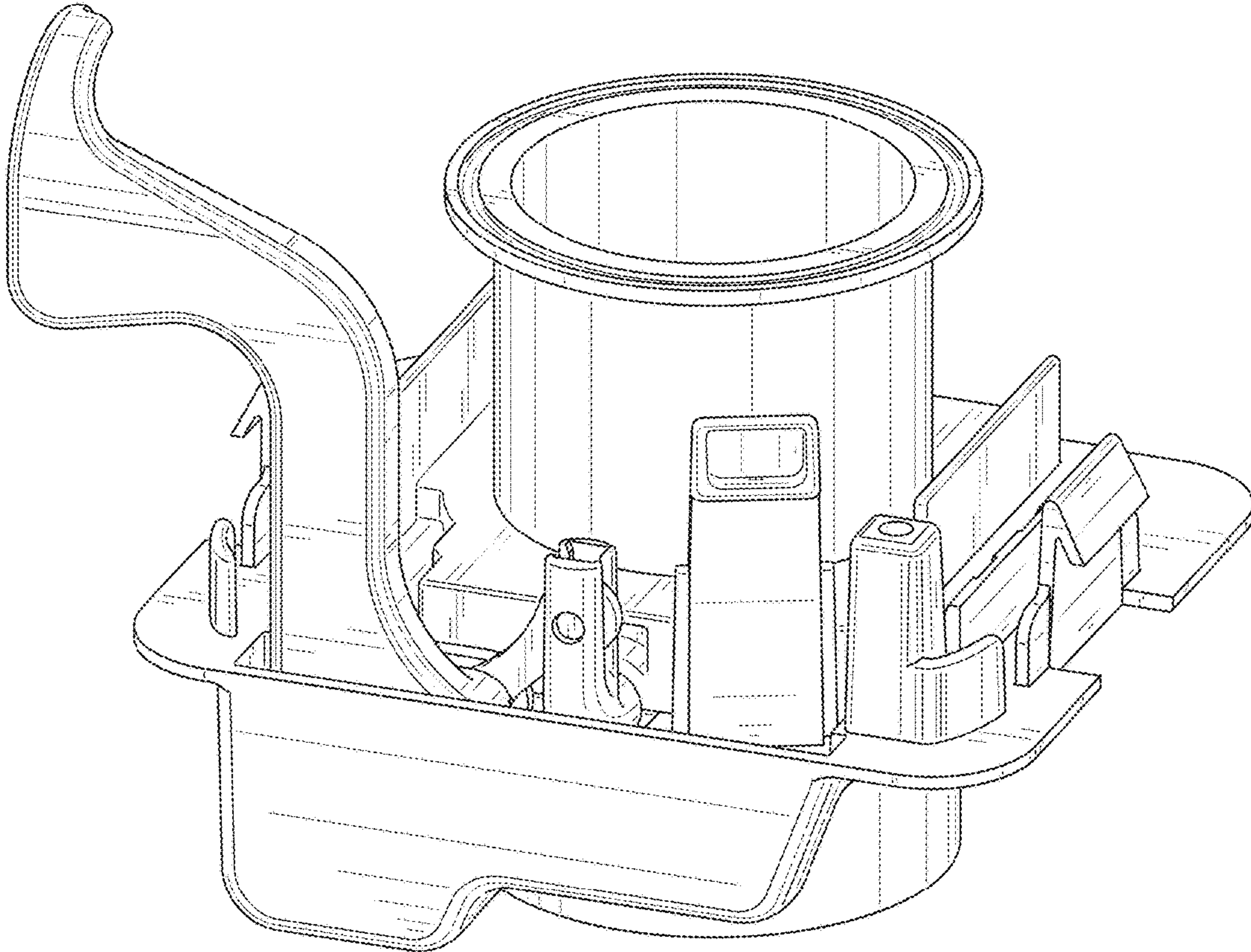


FIG. 1

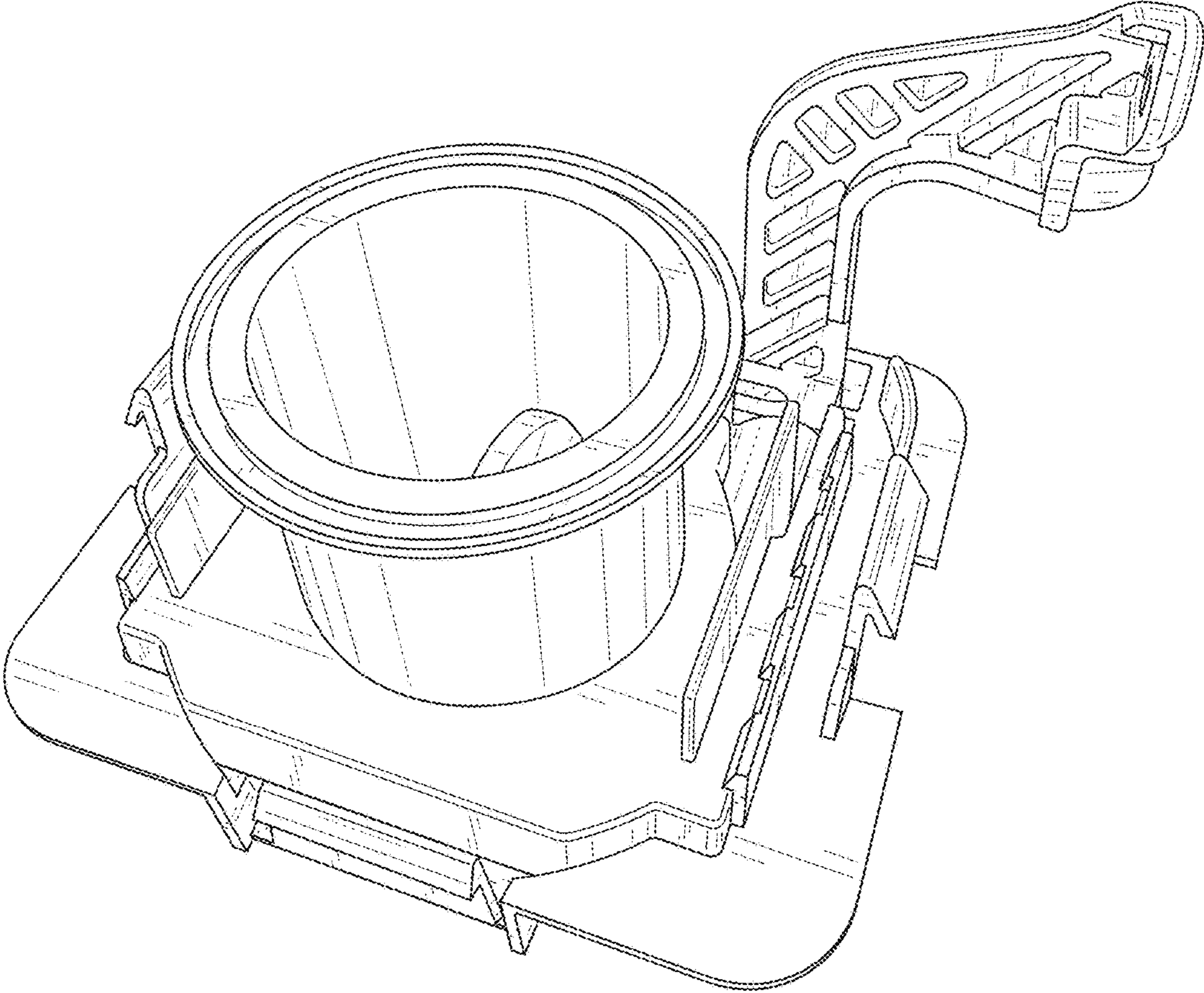


FIG. 2

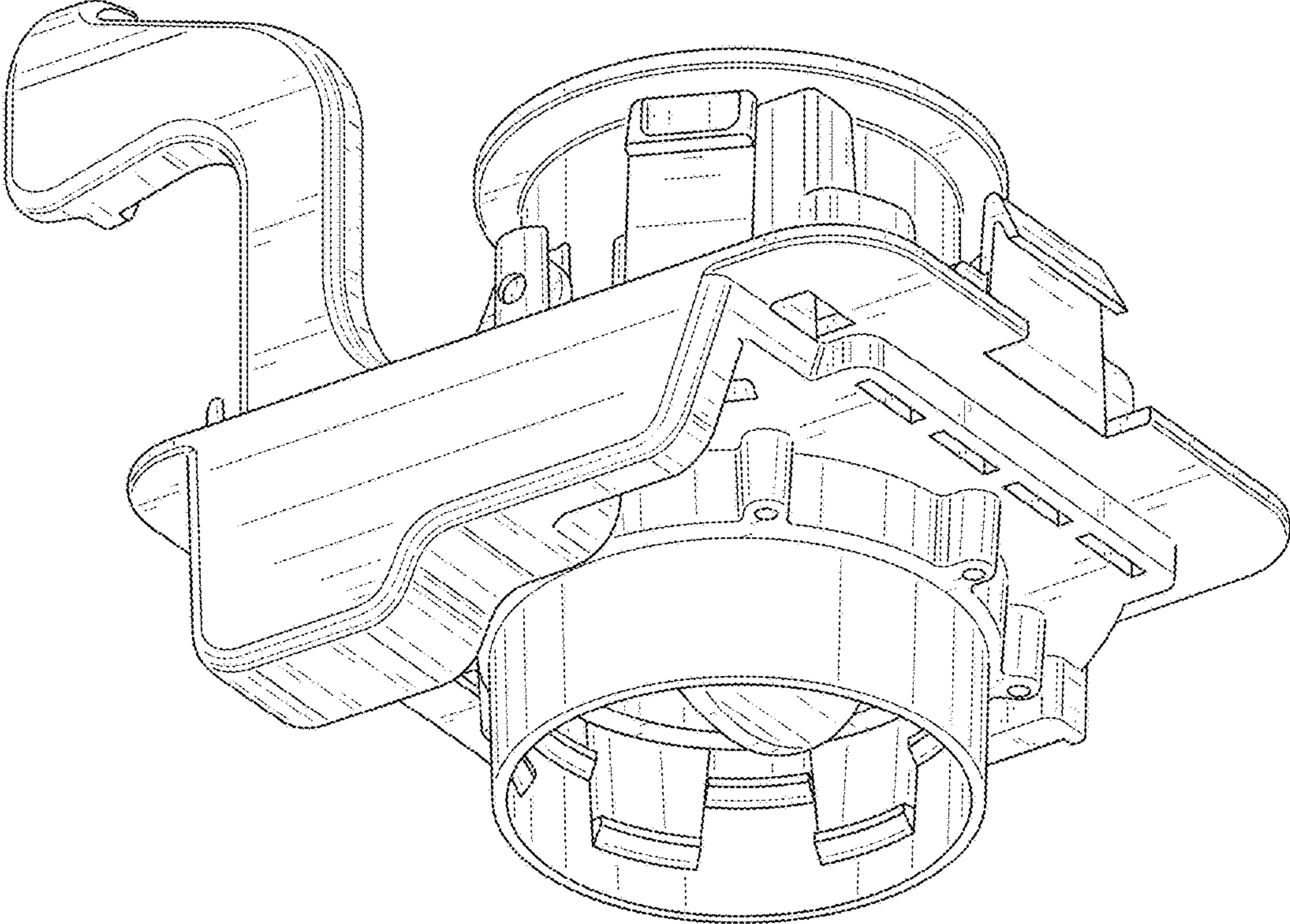


FIG. 3

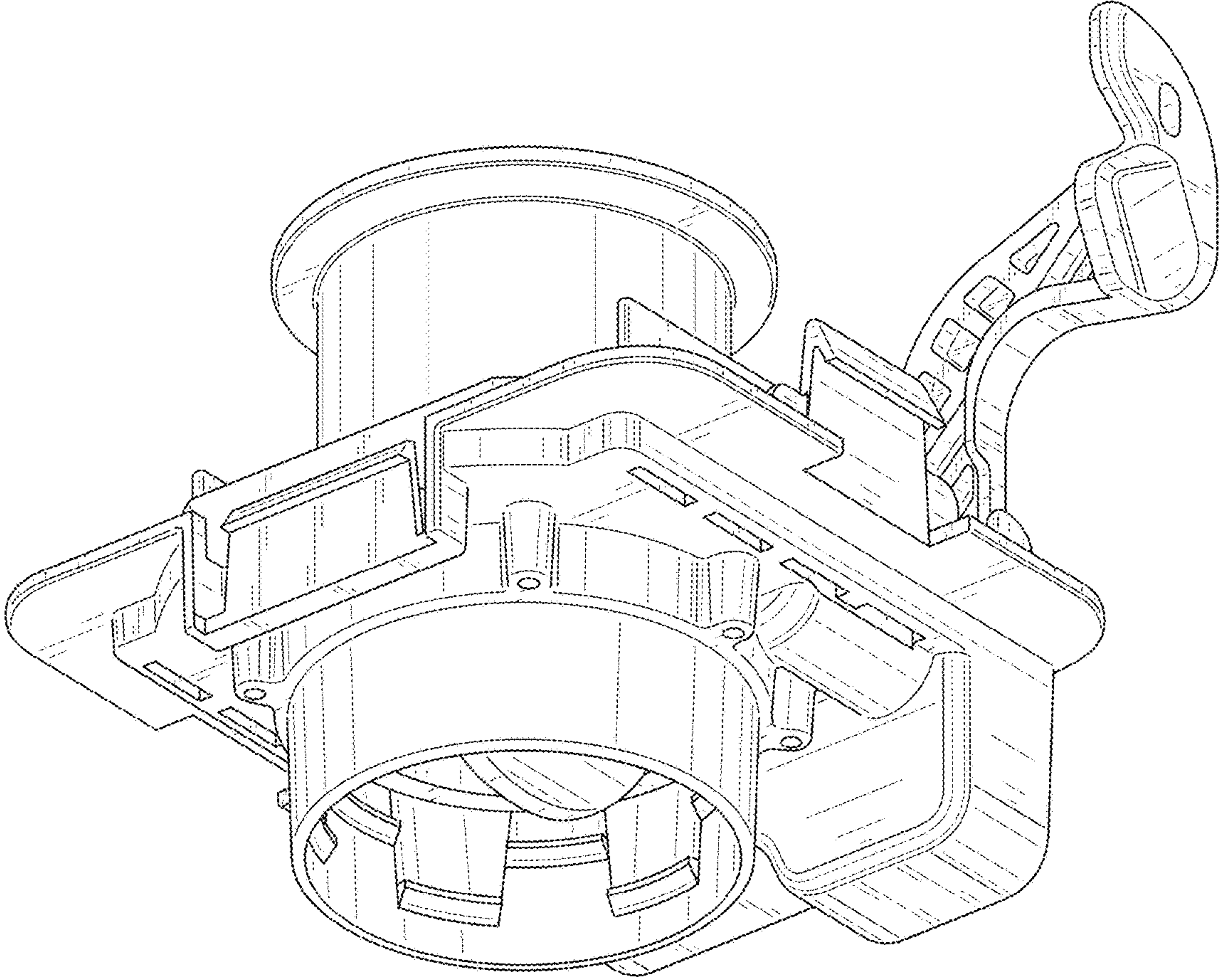


FIG. 4

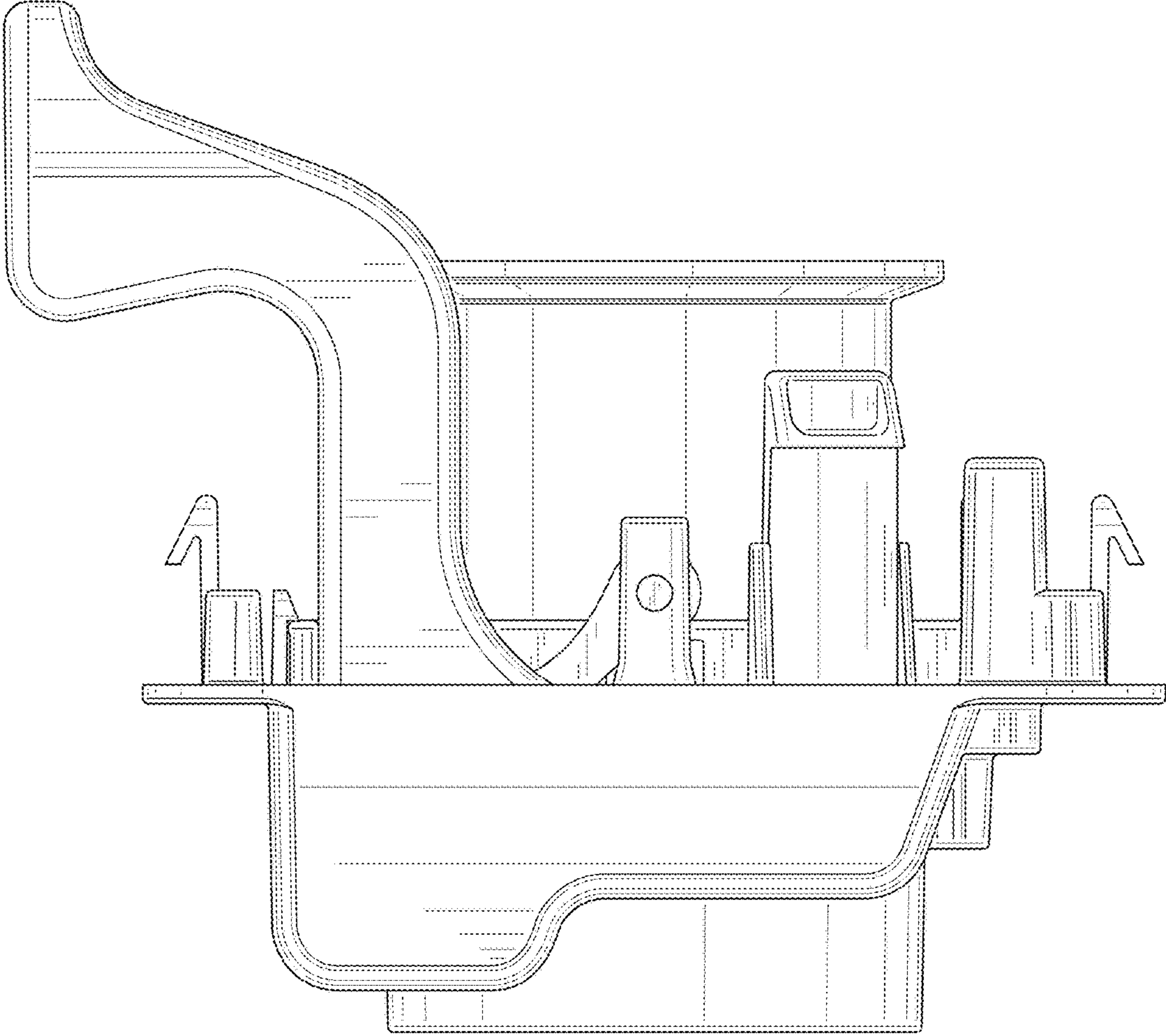


FIG. 5

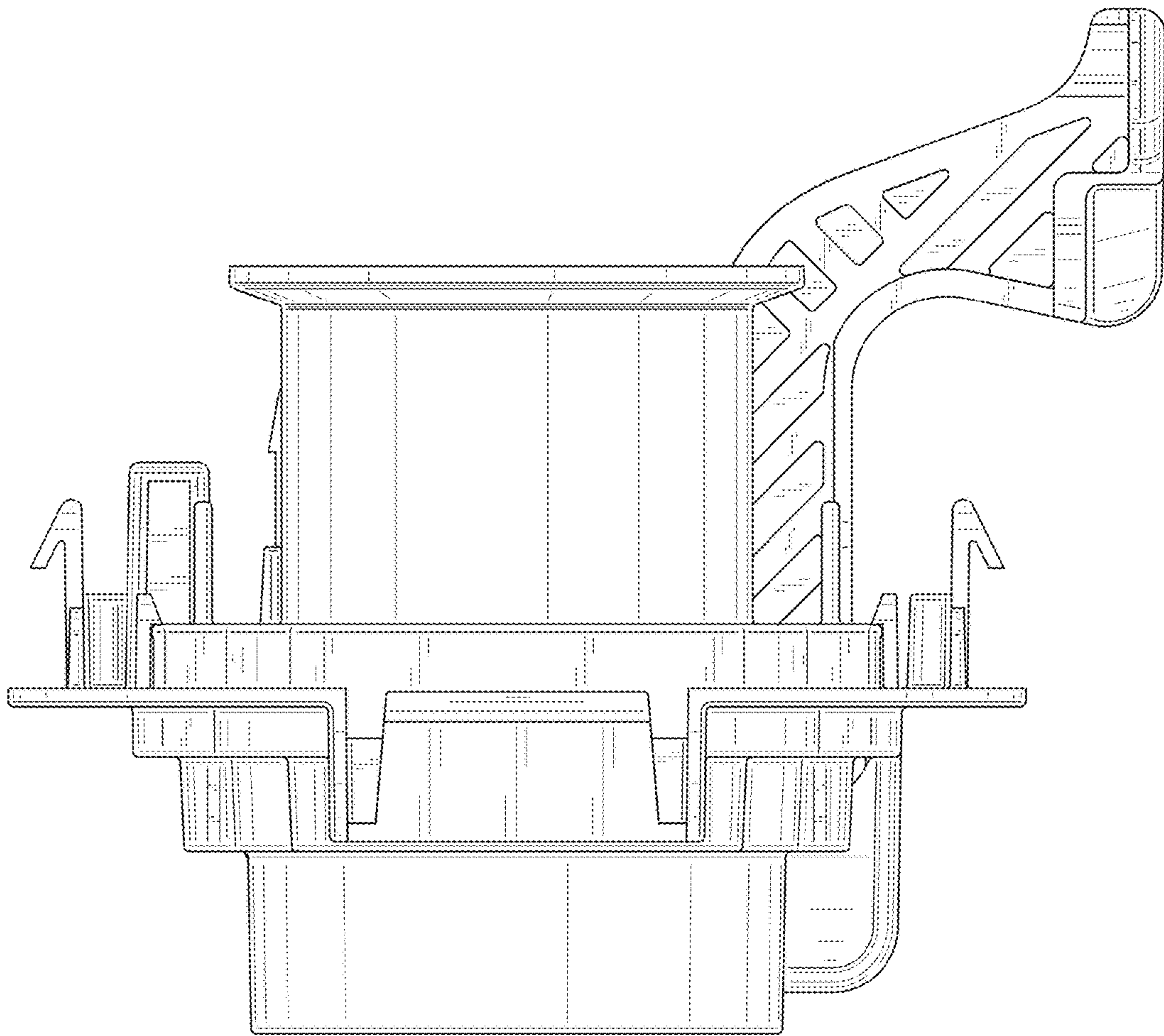


FIG. 6

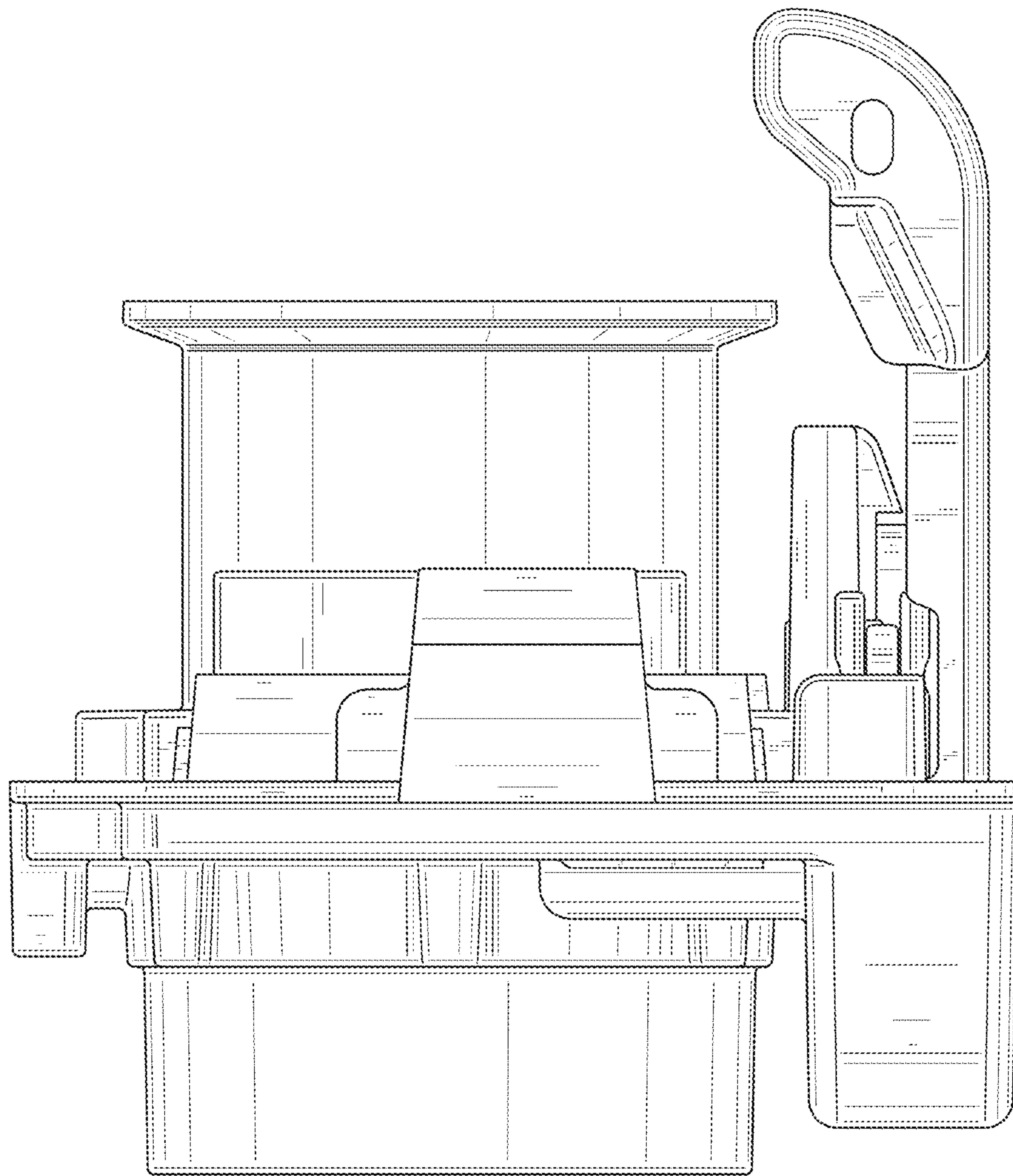


FIG. 7

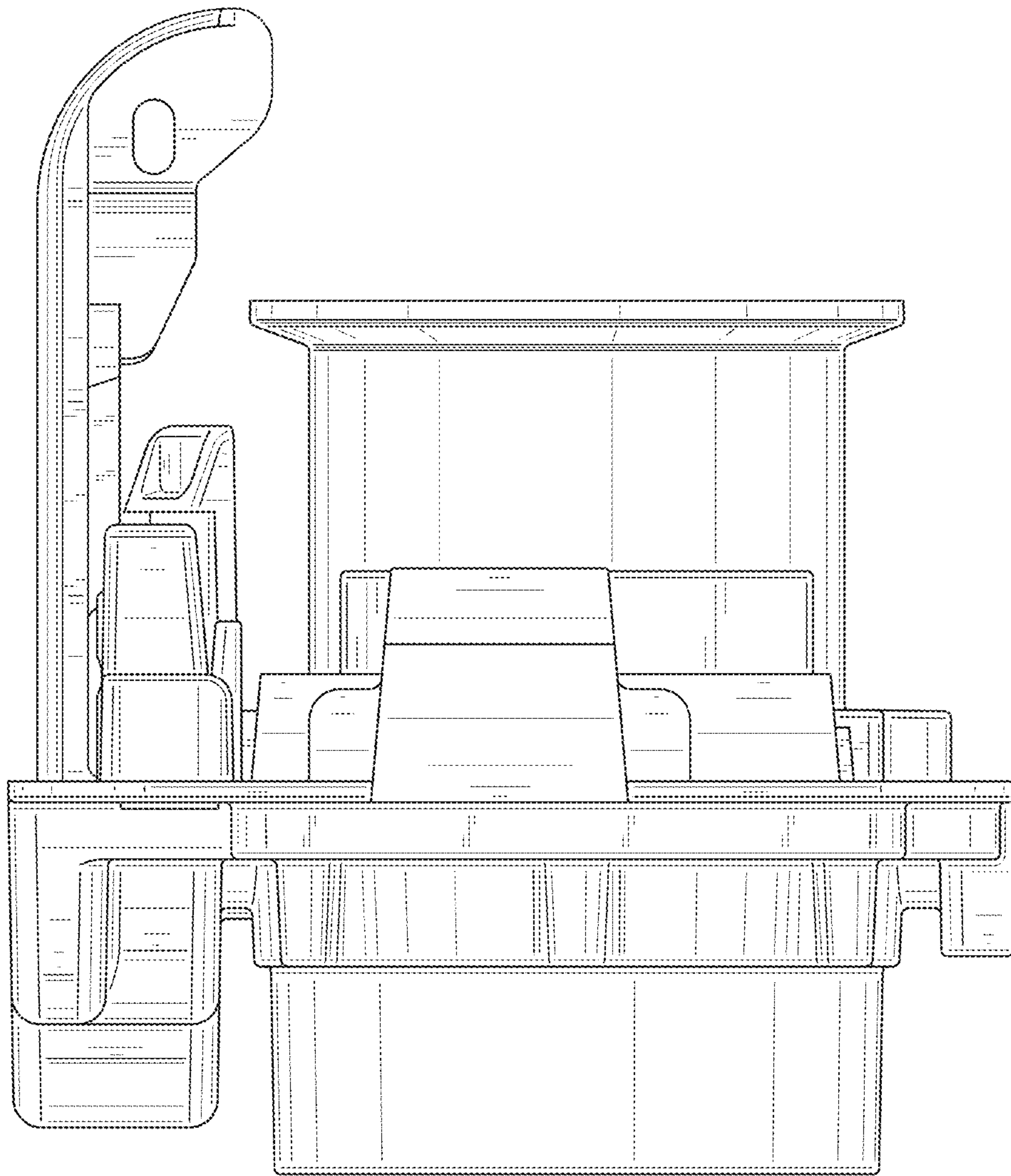


FIG. 8

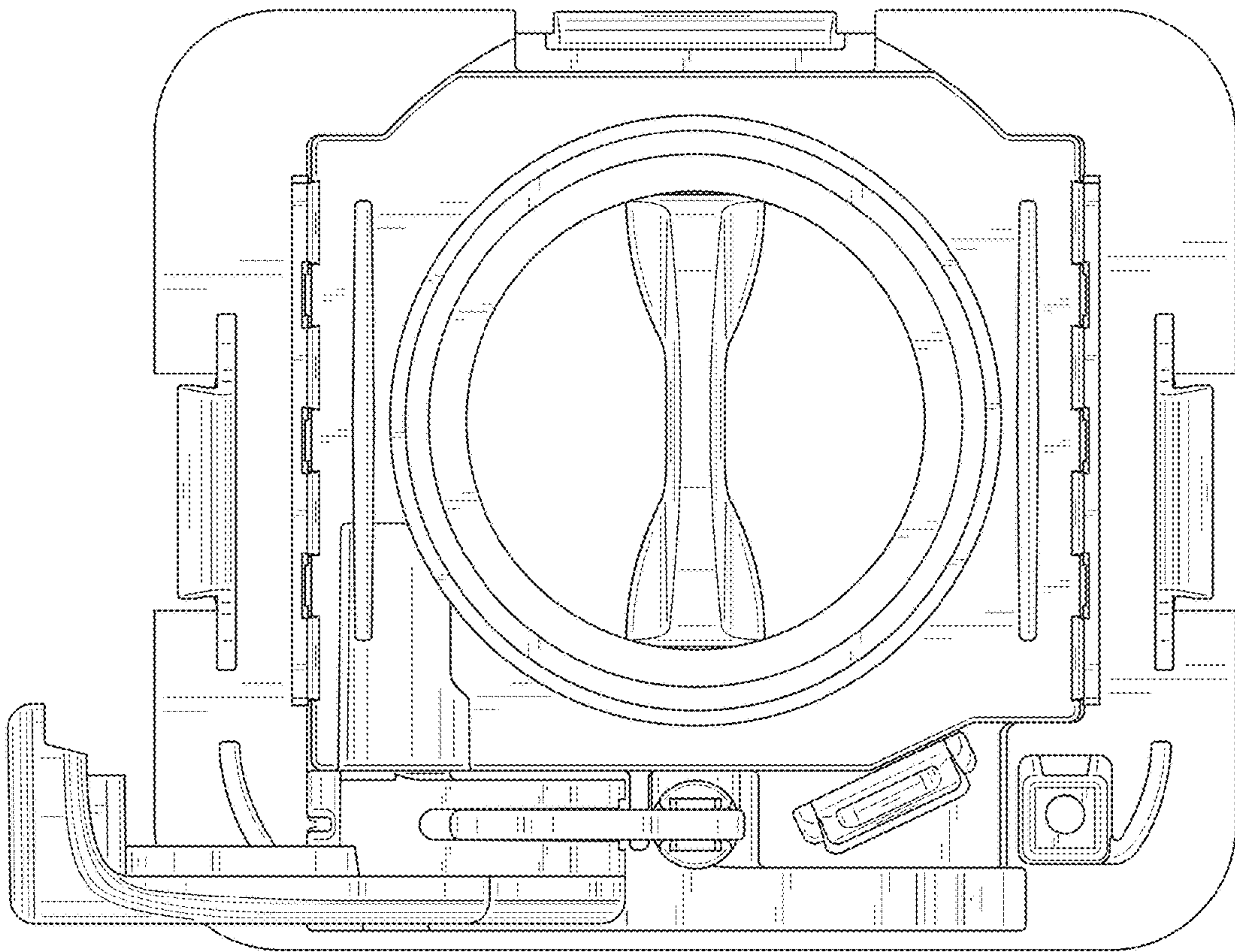


FIG. 9

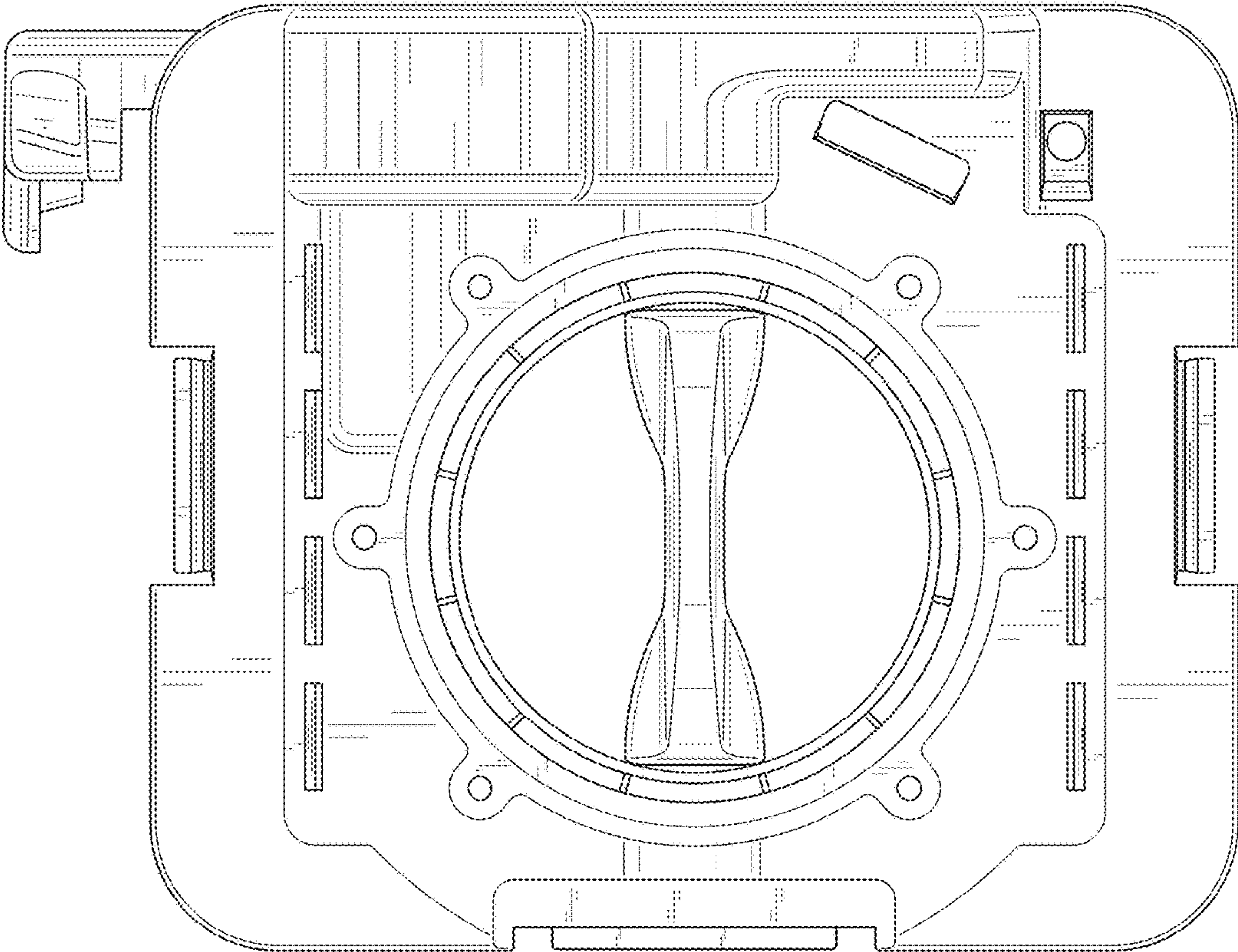


FIG. 10

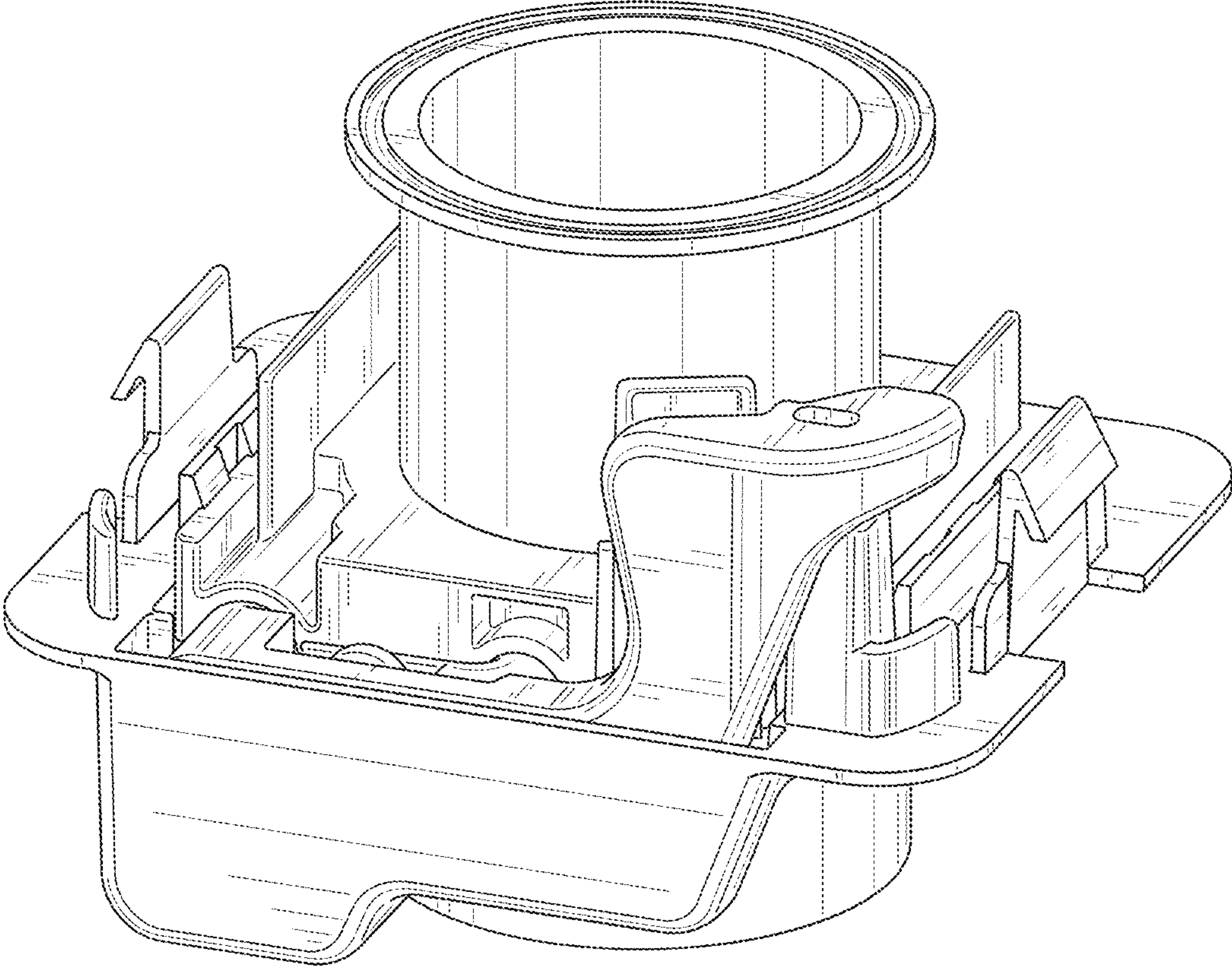


FIG. 11

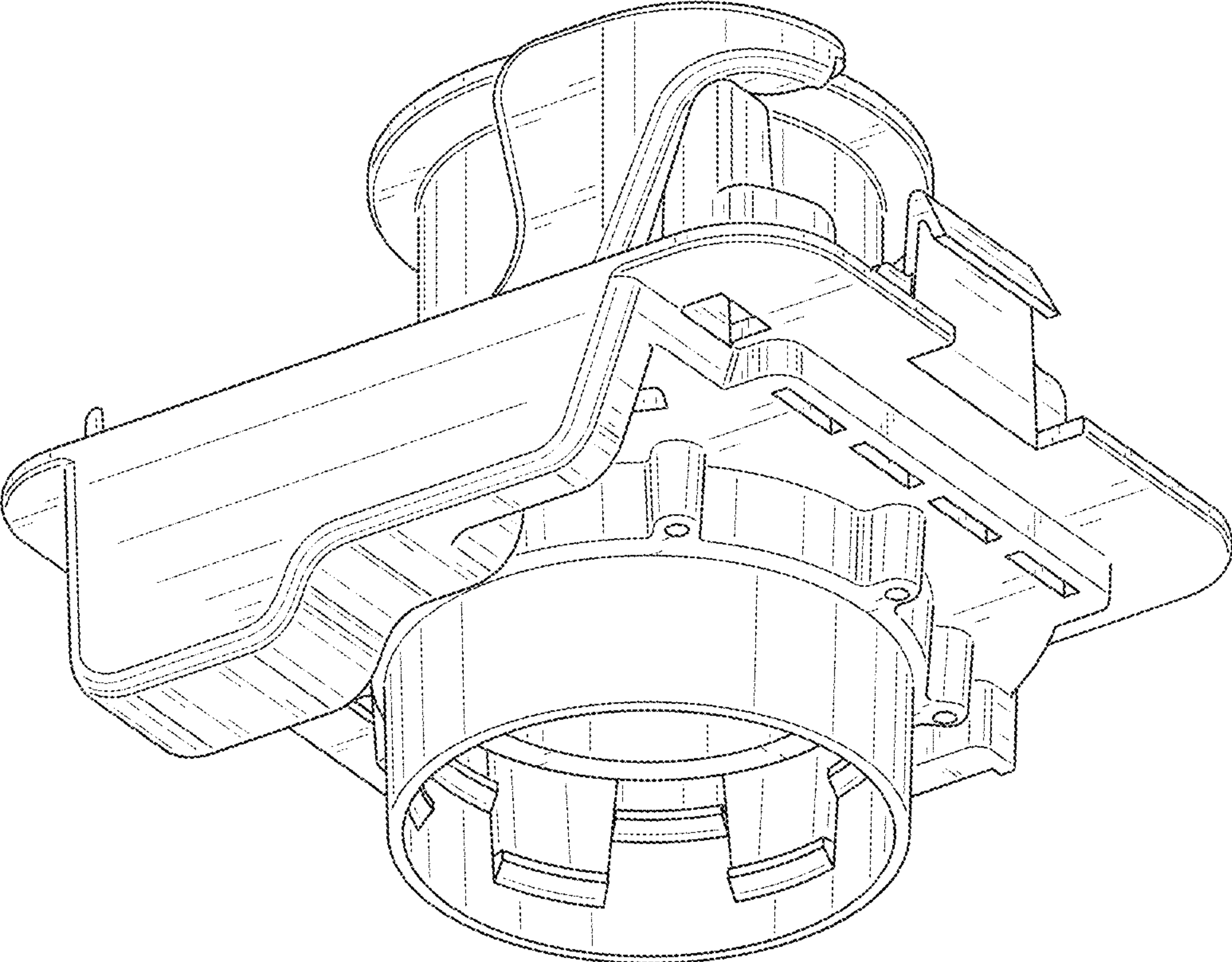


FIG. 12

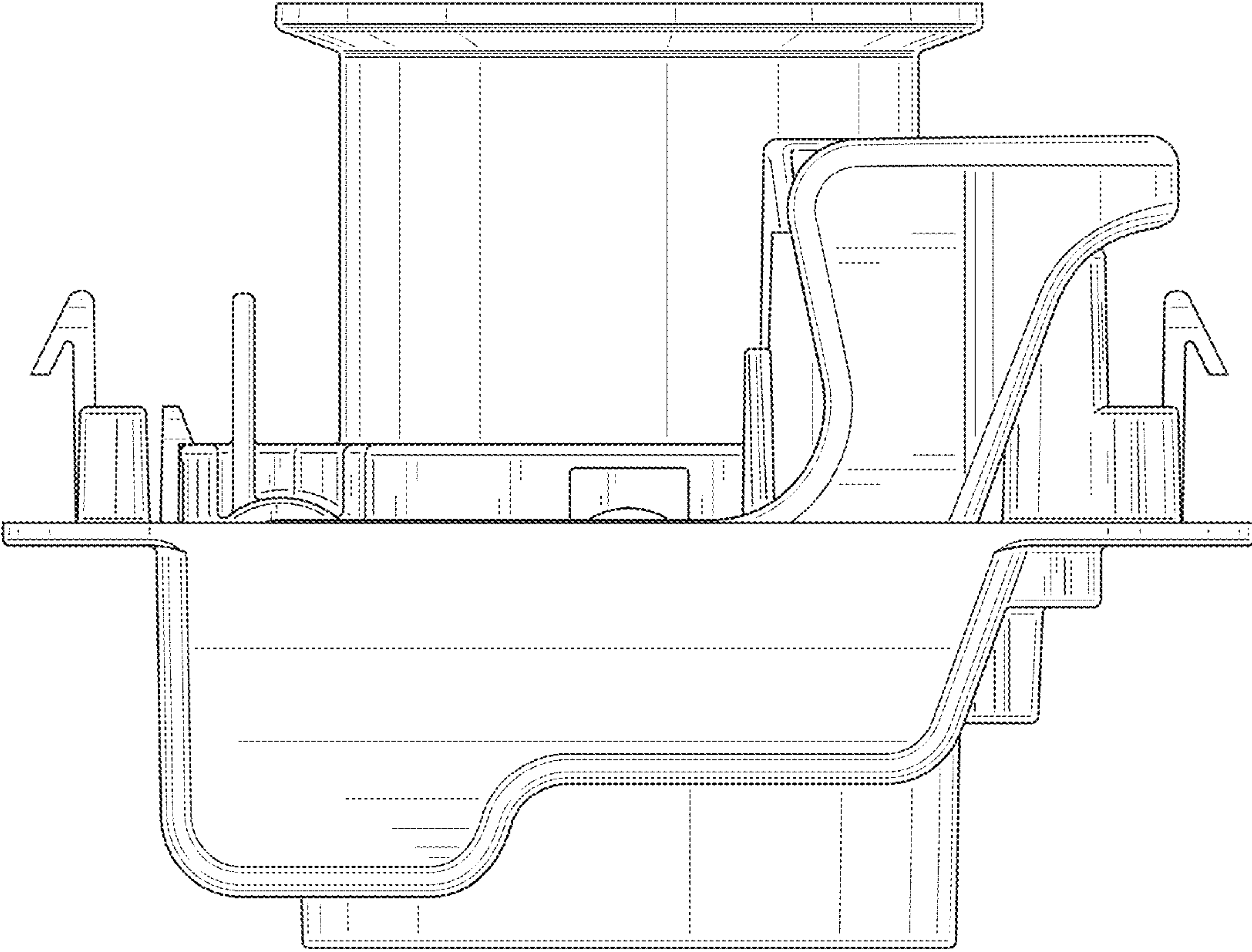


FIG. 13

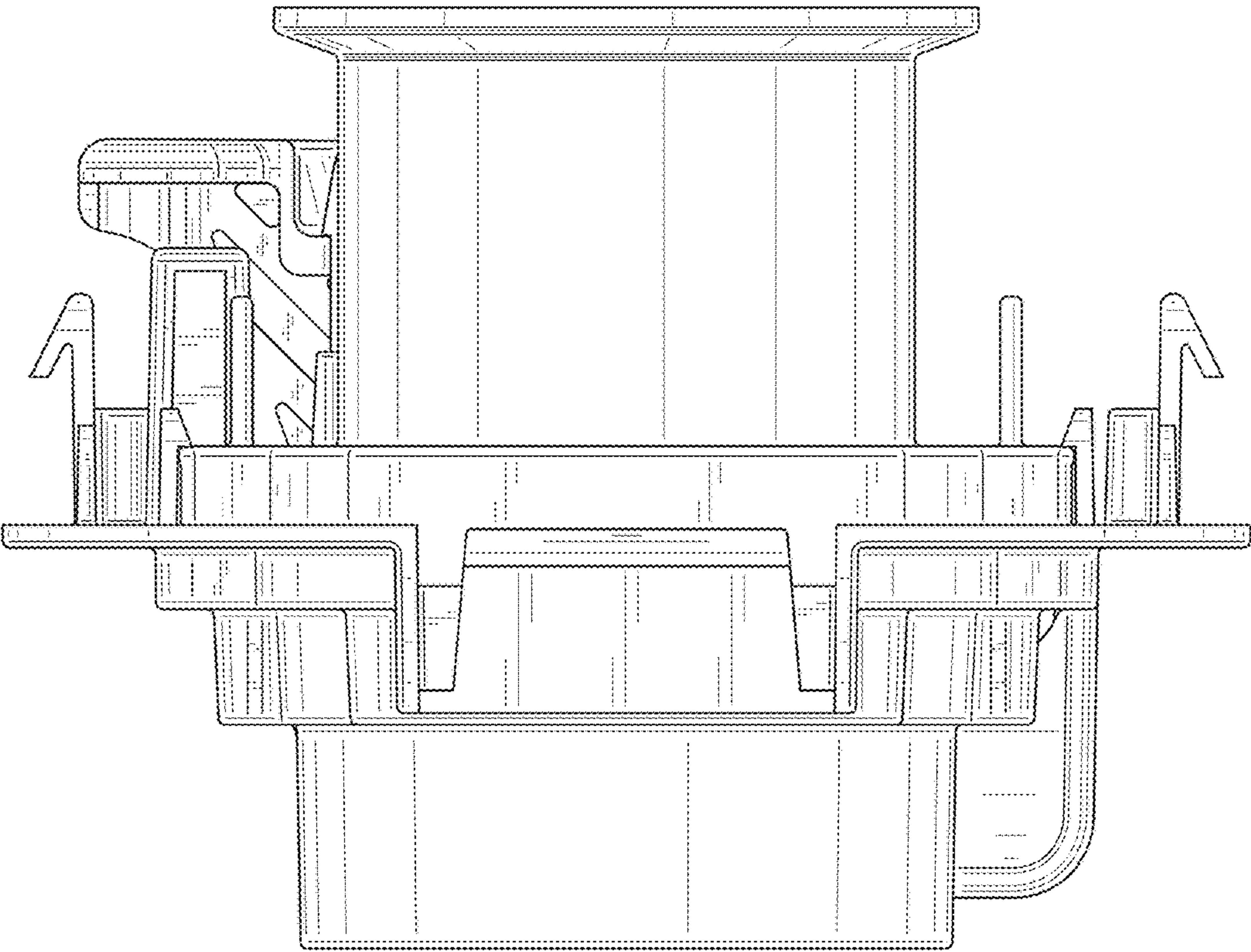


FIG. 14

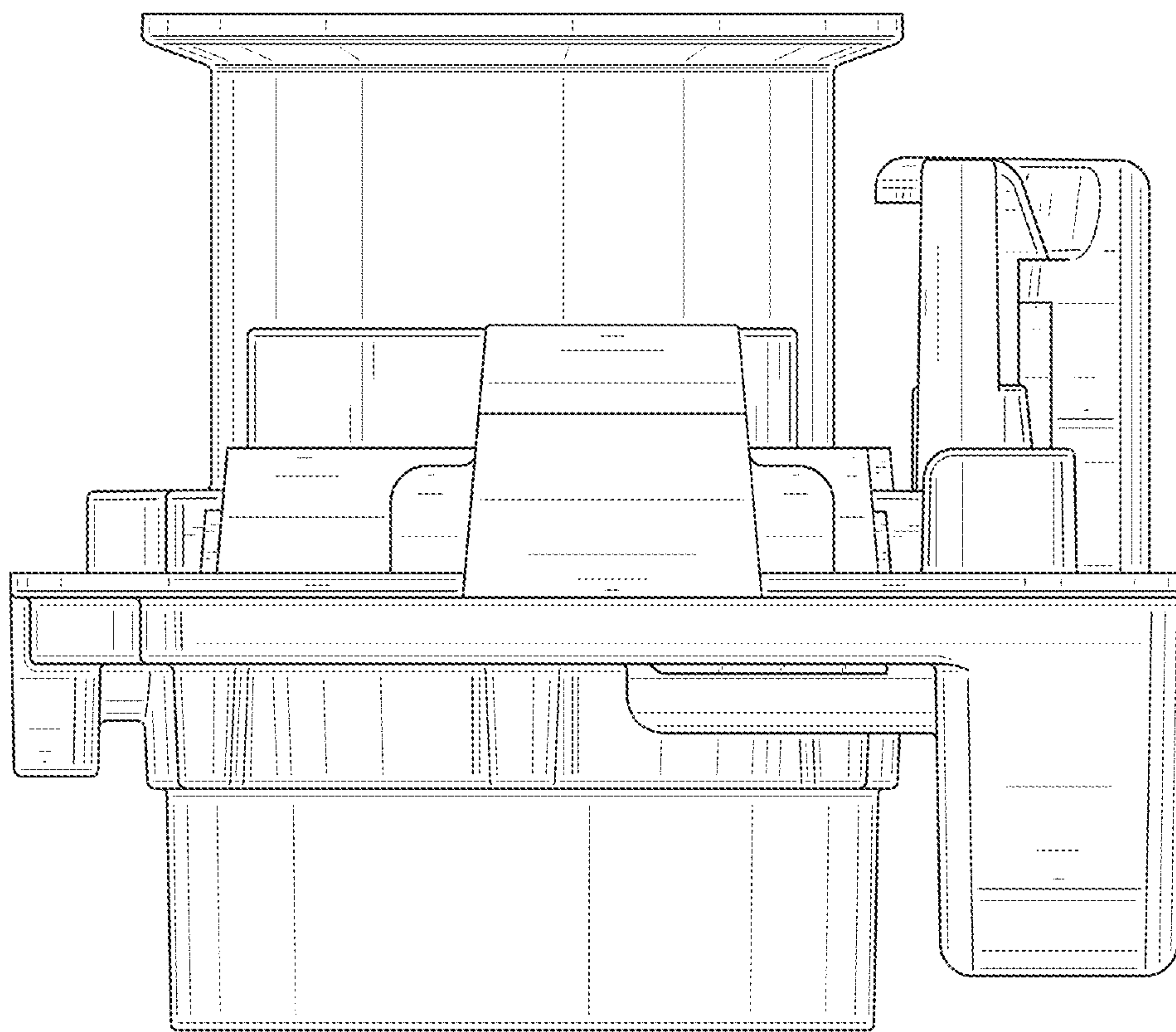


FIG. 15

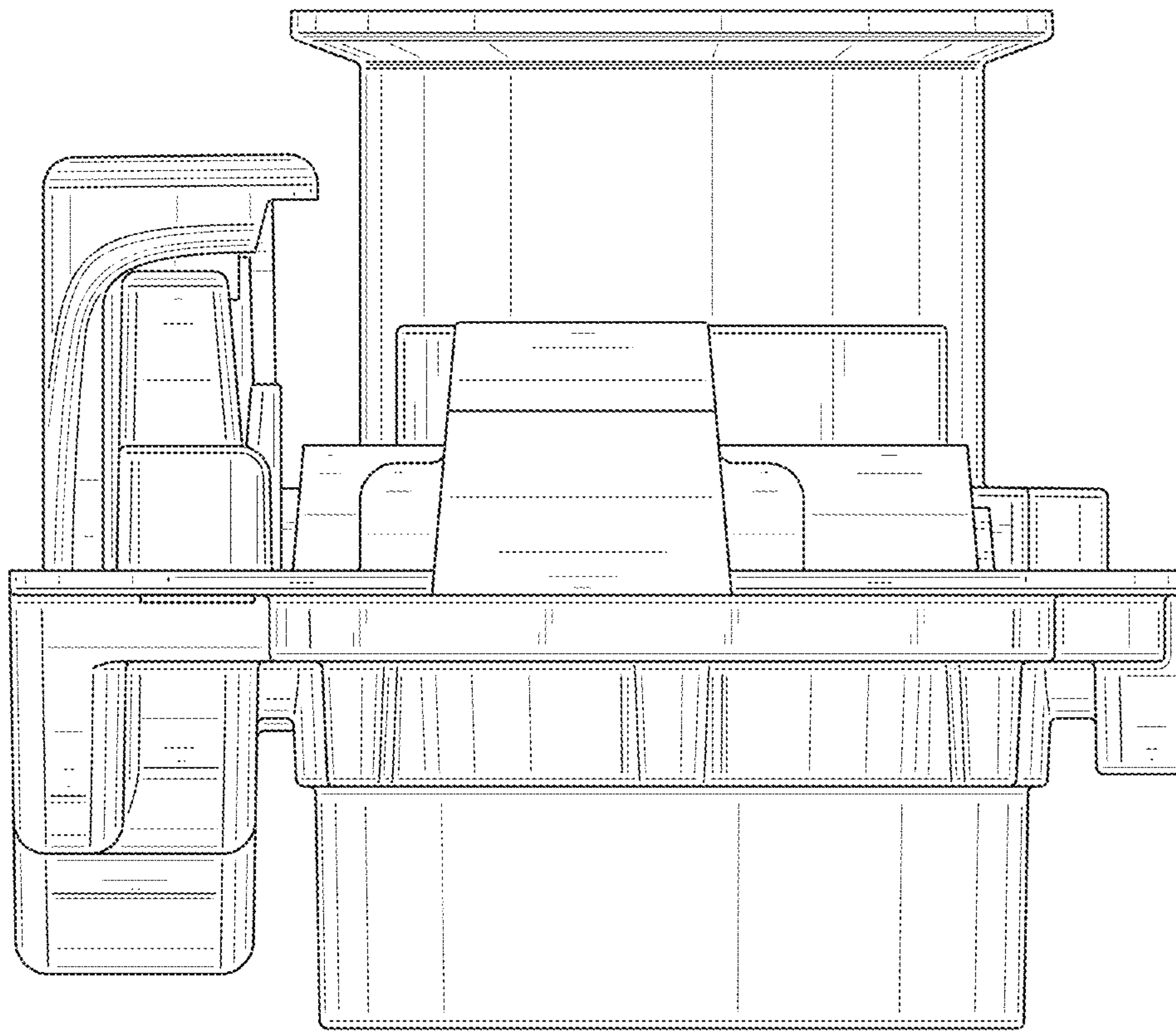


FIG. 16

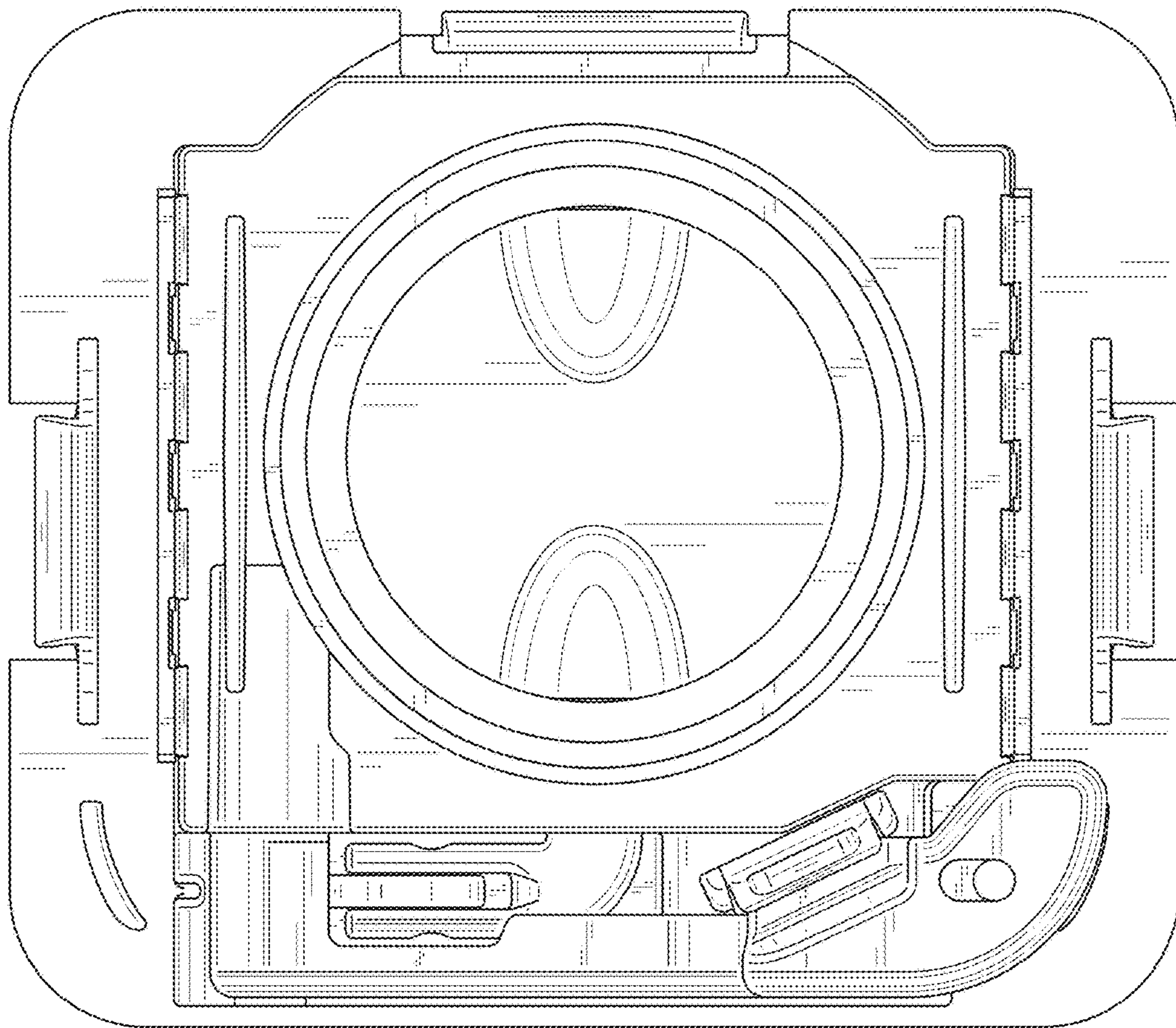


FIG. 17

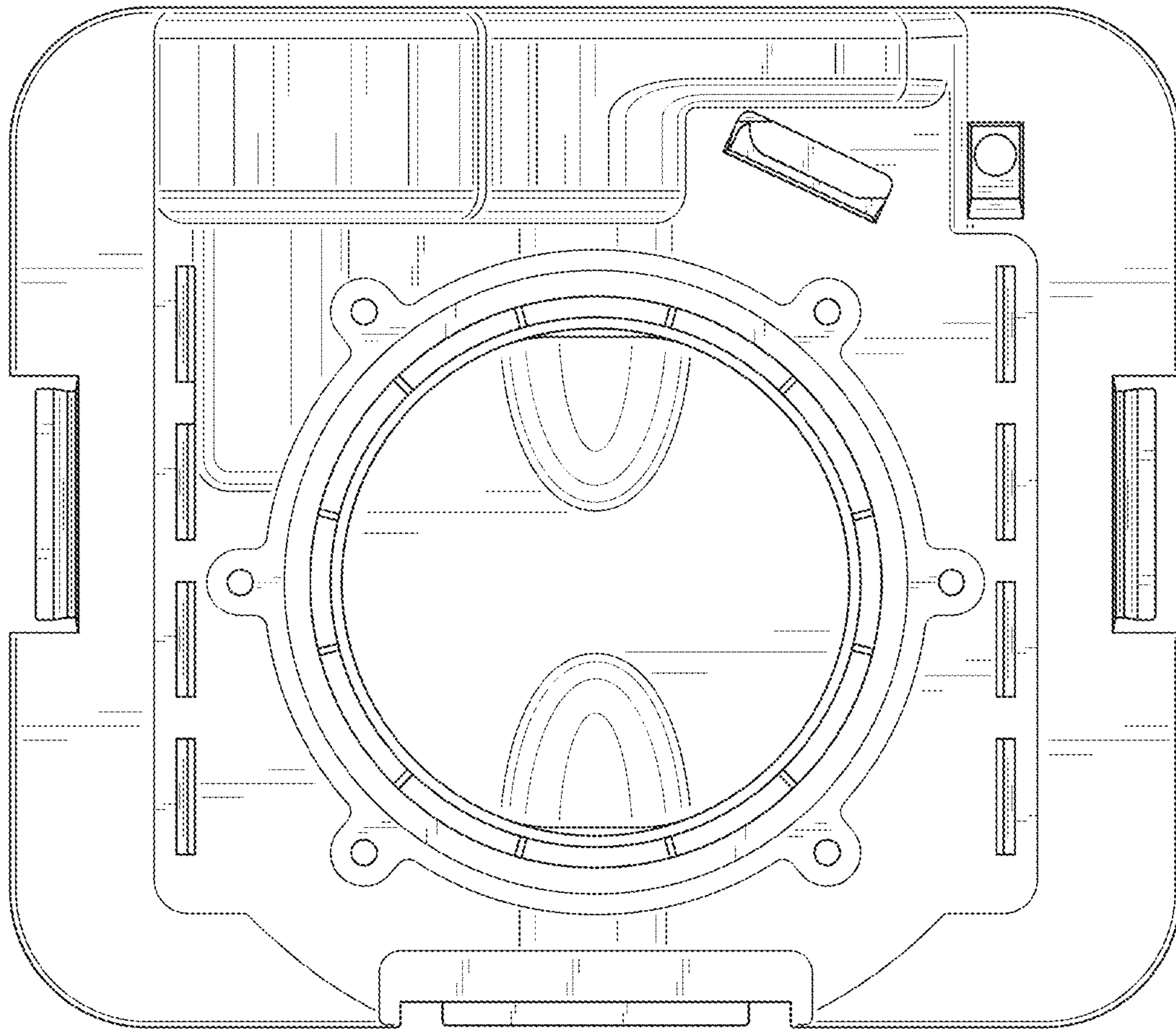


FIG. 18