

US00D872834S

(12) **United States Design Patent**
Howard

(10) **Patent No.:** **US D872,834 S**

(45) **Date of Patent:** **** Jan. 14, 2020**

(54) **GAS SAFETY VALVE**

(71) Applicant: **Gas Stop Europe BV**, Assen (NL)

(72) Inventor: **Matthew James Howard**, Assen (NL)

(73) Assignee: **GAS STOP EUROPE BV**, Assen (NL)

(**) Term: **15 Years**

(21) Appl. No.: **29/643,563**

(22) Filed: **Apr. 10, 2018**

(30) **Foreign Application Priority Data**

Oct. 13, 2017 (EM) 004401040-0010

Oct. 13, 2017 (EM) 004401040-0011

(51) **LOC (12) Cl.** **23-01**

(52) **U.S. Cl.**
USPC **D23/235**

(58) **Field of Classification Search**
USPC D23/233-250, 252, 226; 137/315.15,
137/15.18, 625.46, 239, 385, 557, 382,
(Continued)

(56) **References Cited**

U.S. PATENT DOCUMENTS

1,330,075 A * 2/1920 Horkave F23N 5/047
251/213

D266,019 S * 8/1982 Crossman D23/235
(Continued)

FOREIGN PATENT DOCUMENTS

EM 003065572-0001 4/2016

EM 003065572-0002 4/2016

(Continued)

OTHER PUBLICATIONS

<https://www.charbroil.com/universal-propane-tank-gauge> (accessed
Apr. 9, 2018).

(Continued)

Primary Examiner — Gino Colan

(74) *Attorney, Agent, or Firm* — Bacon & Thomas, PLLC

(57) **CLAIM**

The ornamental design for a gas safety valve, as shown and described.

DESCRIPTION

FIG. 1 is a left side elevational view of a first embodiment of a gas safety valve showing my new design, in a first configuration during normal use;

FIG. 2 is a left side elevation view thereof, in a second configuration during an internal valve resetting operation;

FIG. 3 is a top plan view thereof, in the first configuration;

FIG. 4 is a top-right perspective view thereof, in the first configuration;

FIG. 5 is a right side perspective view thereof, in the first configuration;

FIG. 6 is a bottom perspective view thereof, in the first configuration;

FIG. 7 is an end perspective view thereof, in the first configuration;

FIG. 8 is an opposite end perspective view thereof, in the first configuration;

FIG. 9 is a left side elevational view of a second embodiment of a gas safety valve showing my new design, in a first configuration during normal use with embossed lettering;

FIG. 10 is a left side elevational view thereof, in a second configuration during an internal valve resetting operation;

FIG. 11 is a top plan view thereof, in the first configuration;

FIG. 12 is a top-right perspective view thereof, in the first configuration;

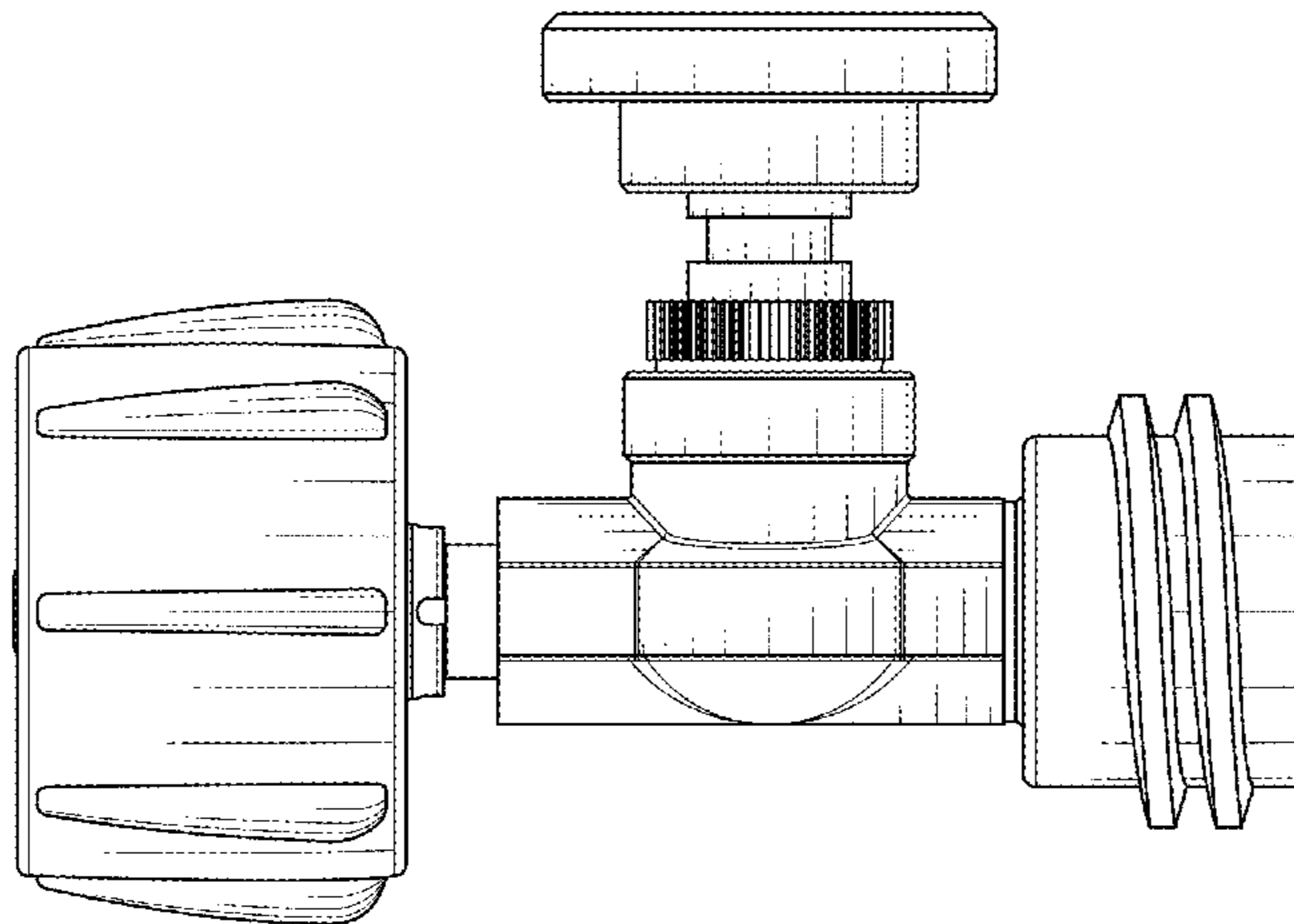
FIG. 13 is a right side perspective view thereof, in the first configuration;

FIG. 14 is a bottom perspective view thereof, in the first configuration;

FIG. 15 is an end perspective view thereof, in the first configuration; and,

FIG. 16 is an opposite end perspective view thereof, in the first configuration.

1 Claim, 8 Drawing Sheets



US D872,834 S

Page 2

(58) **Field of Classification Search**

USPC 137/14, 224, 413, 505.42, 513.3, 505.18;
D8/28; 251/118, 109, 288, 213;
D10/102

CPC F16K 31/602; F16K 31/60; F16K 35/10;
F16K 31/605; F16K 17/00; F16K 1/307

See application file for complete search history.

(56) **References Cited**

U.S. PATENT DOCUMENTS

D273,034 S * 3/1984 Higgins D23/245
D291,231 S * 8/1987 Datta D10/84
D311,572 S * 10/1990 Burns D23/235
5,144,973 A * 9/1992 Green F16K 17/40
137/513.3
D601,661 S 10/2009 Foster

7,650,904 B2 * 1/2010 Huang G05D 16/0669
137/505.18
8,534,321 B2 * 9/2013 Ziv A61M 39/223
137/625.46
9,108,474 B2 * 8/2015 Chu B60C 29/068

FOREIGN PATENT DOCUMENTS

EM 003174432-0001 6/2016
EM 003174432-0002 6/2016
EM 003386648-0001 9/2016
EM 003386648-0002 9/2016
EM 003432715-0001 11/2016
EM 003432715-0002 11/2016

OTHER PUBLICATIONS

<https://www.homedepot.com/p/Nexgrill-Propane-Tank-Gauge-530-0074/206405531>(accessed Apr. 9, 2018).

* cited by examiner

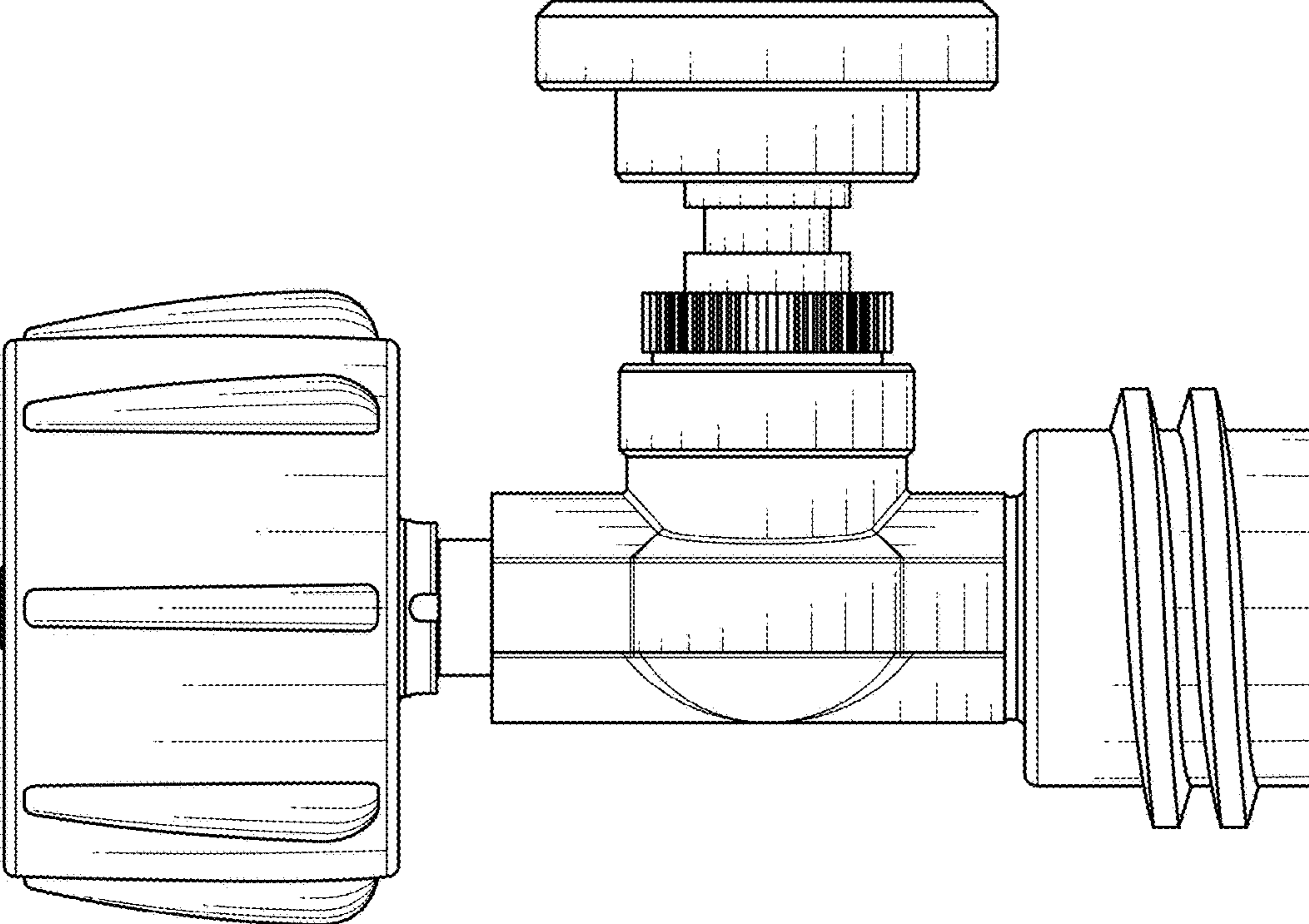


Fig. 1

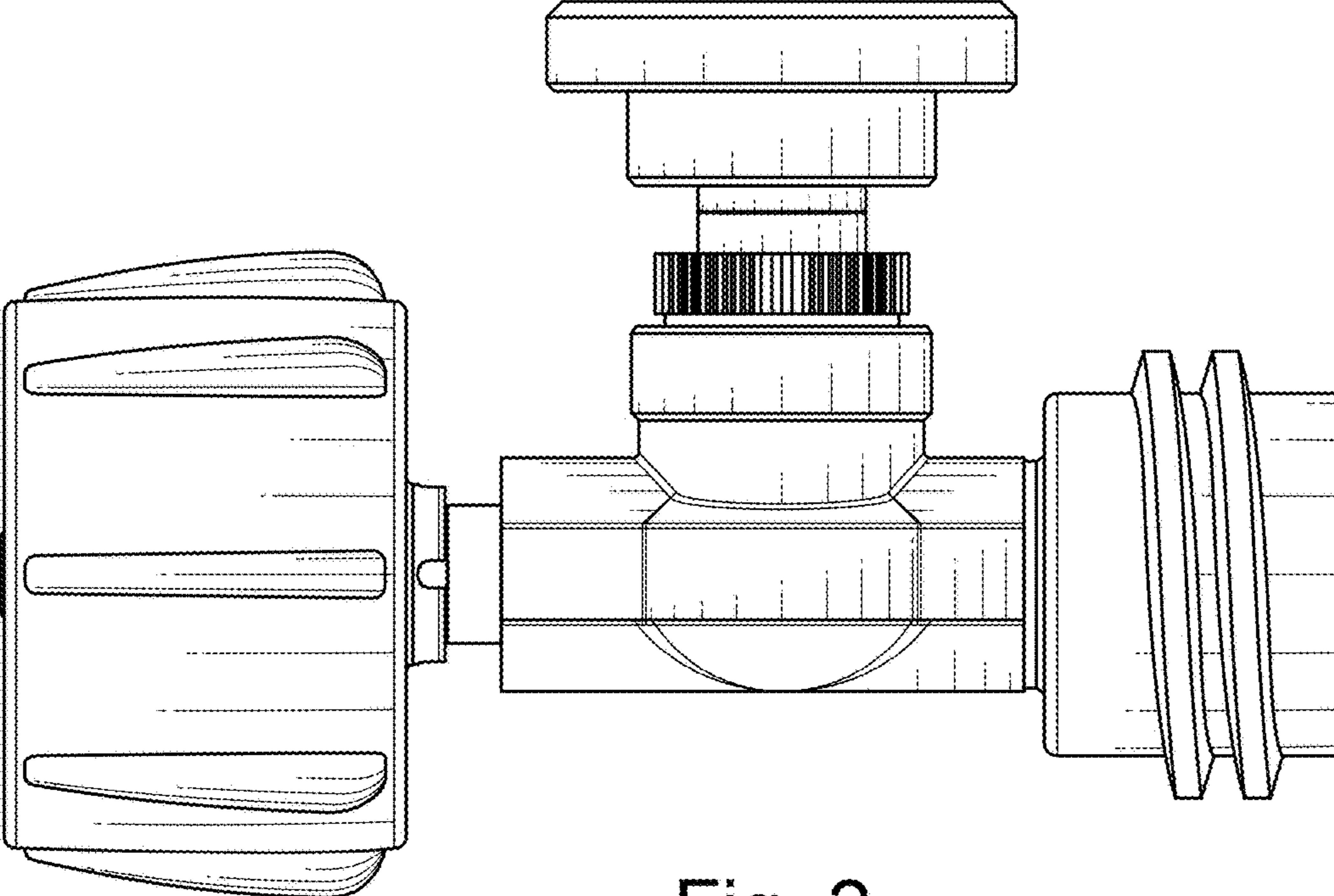


Fig. 2

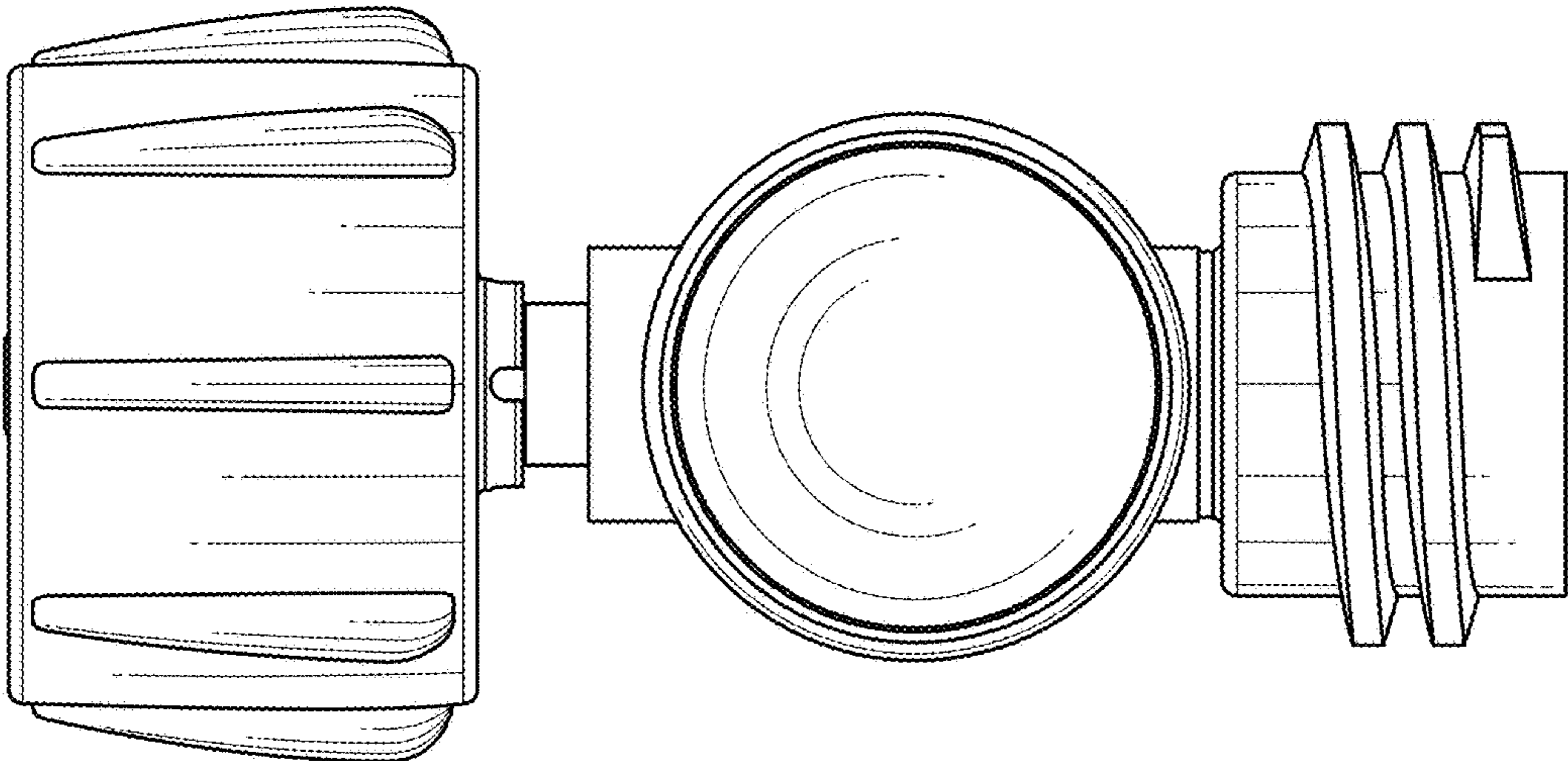


Fig. 3

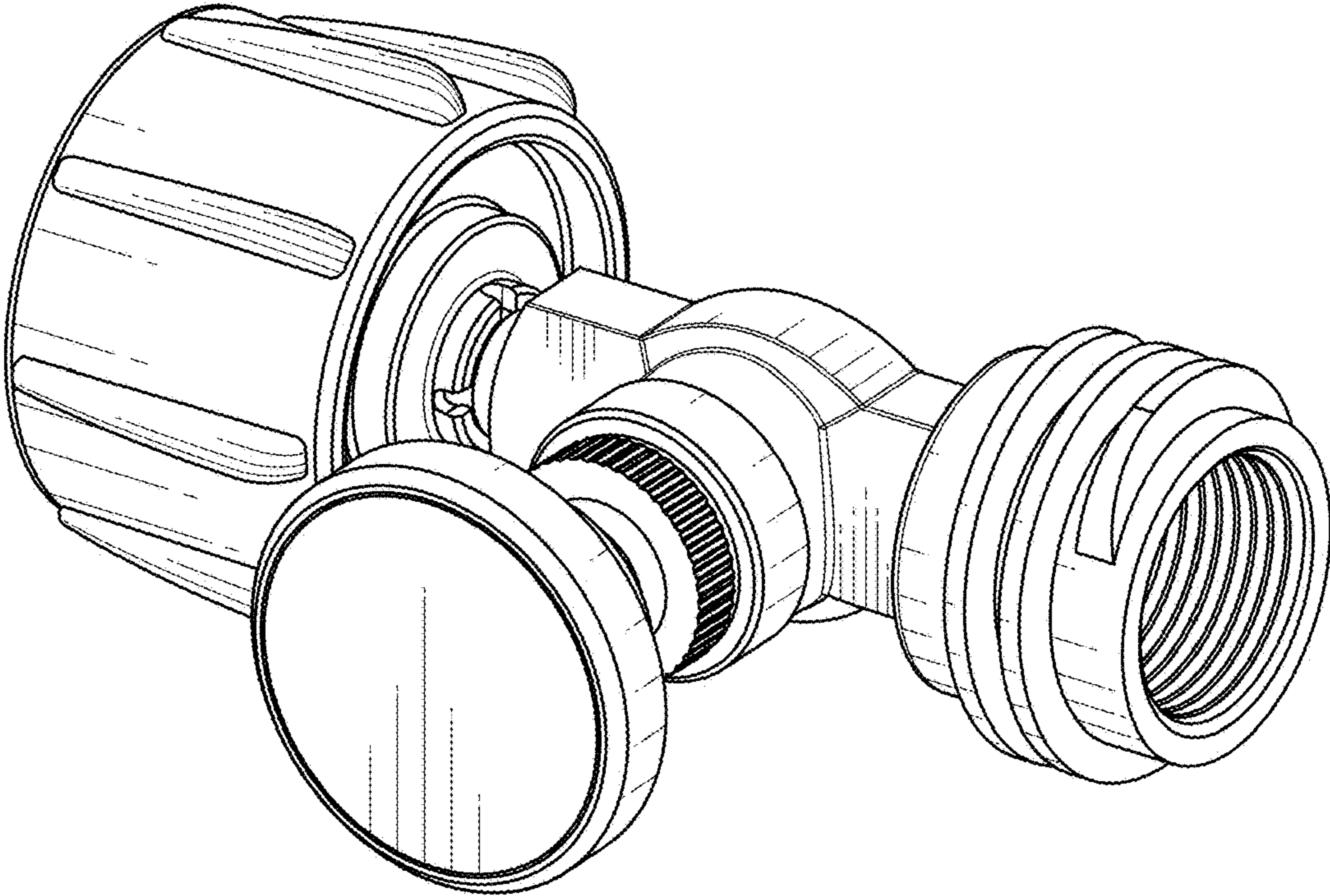


Fig. 4

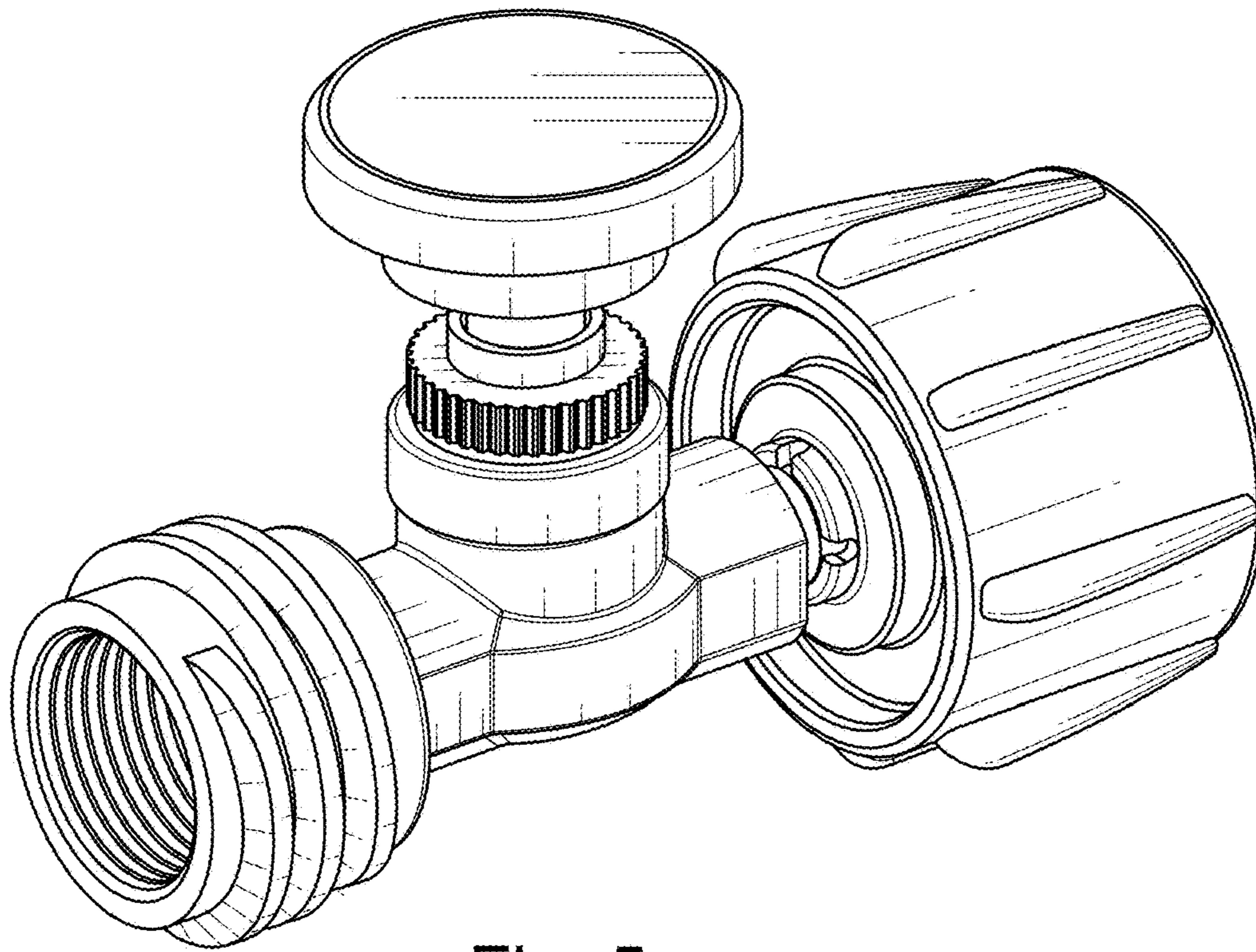


Fig. 5

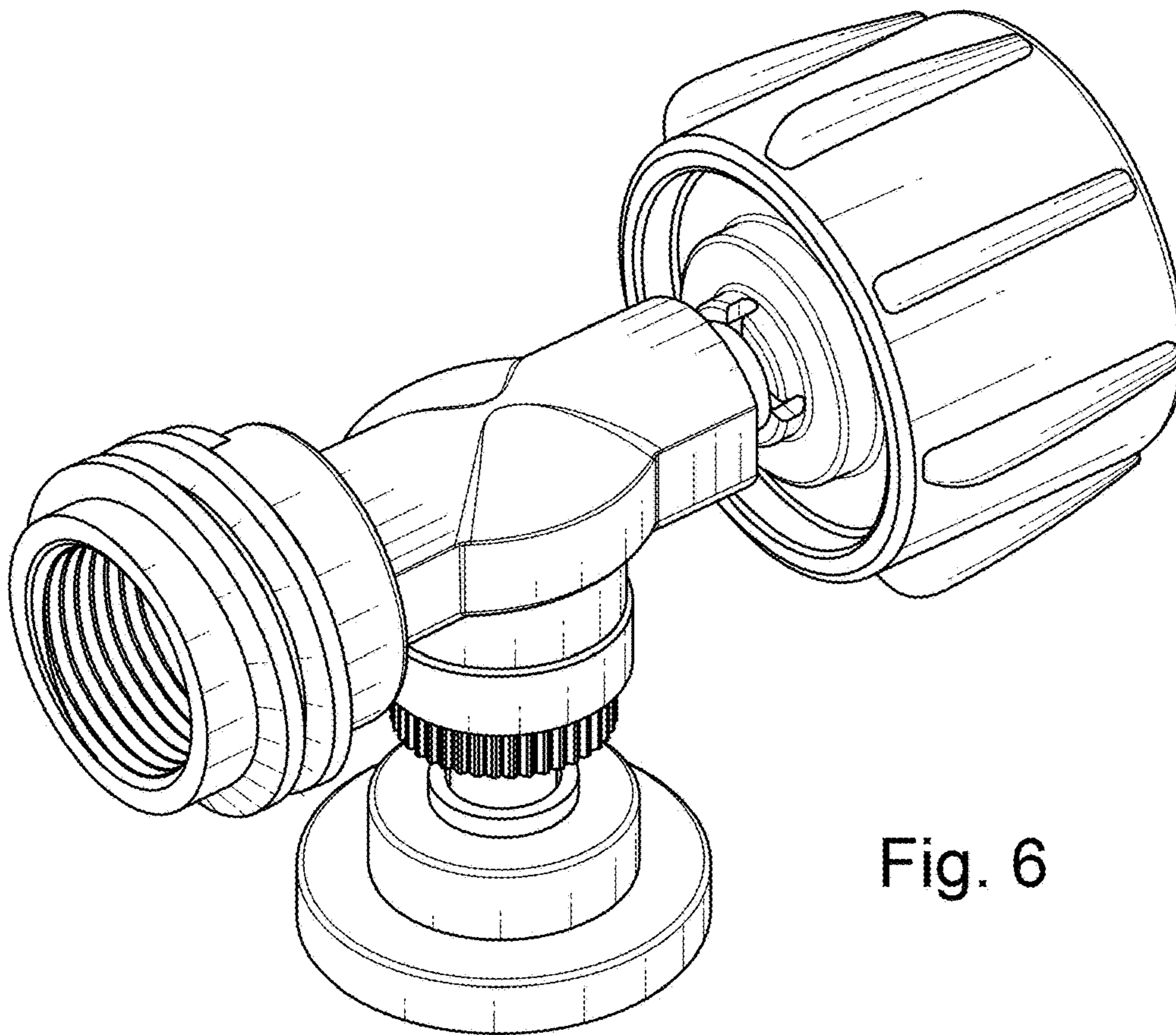


Fig. 6

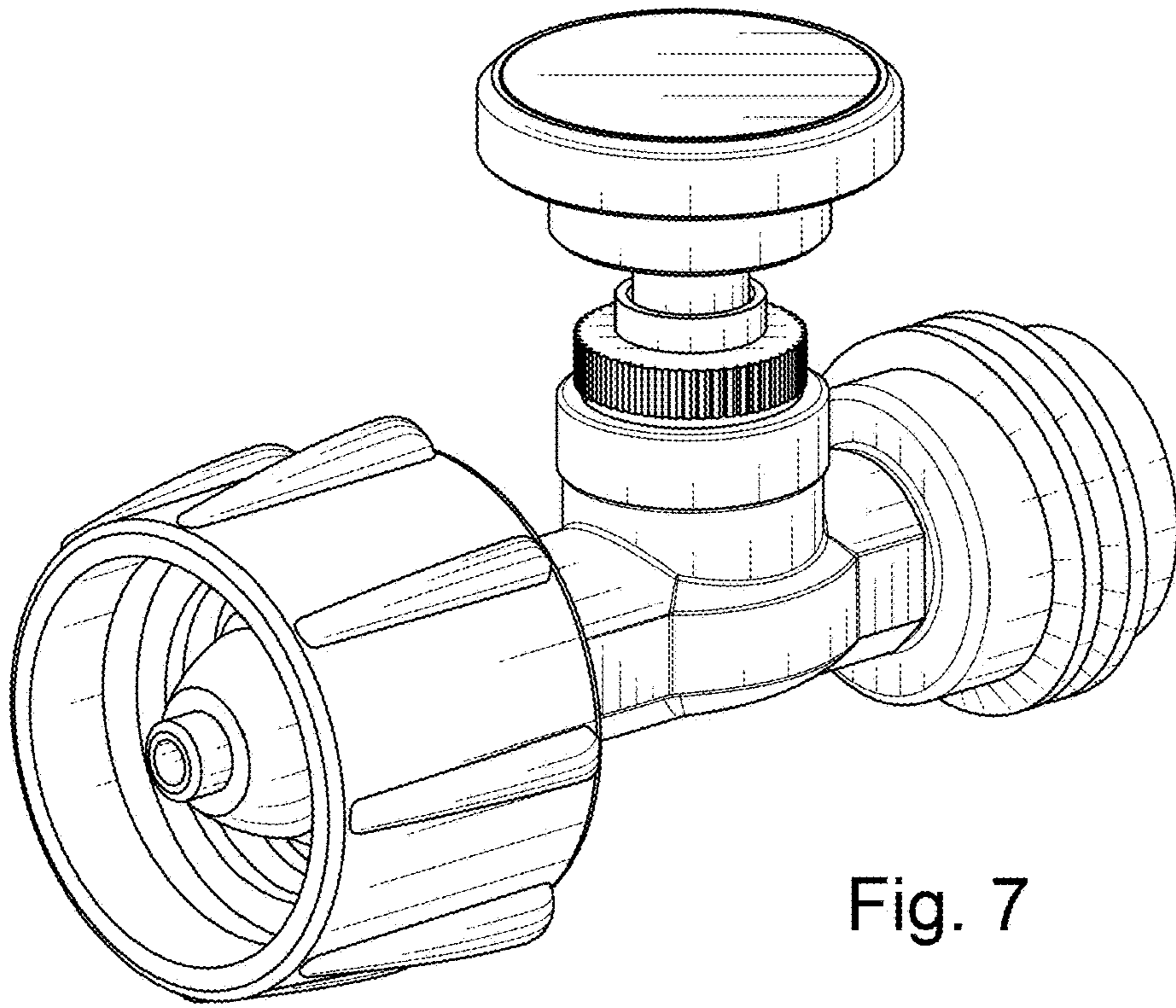


Fig. 7

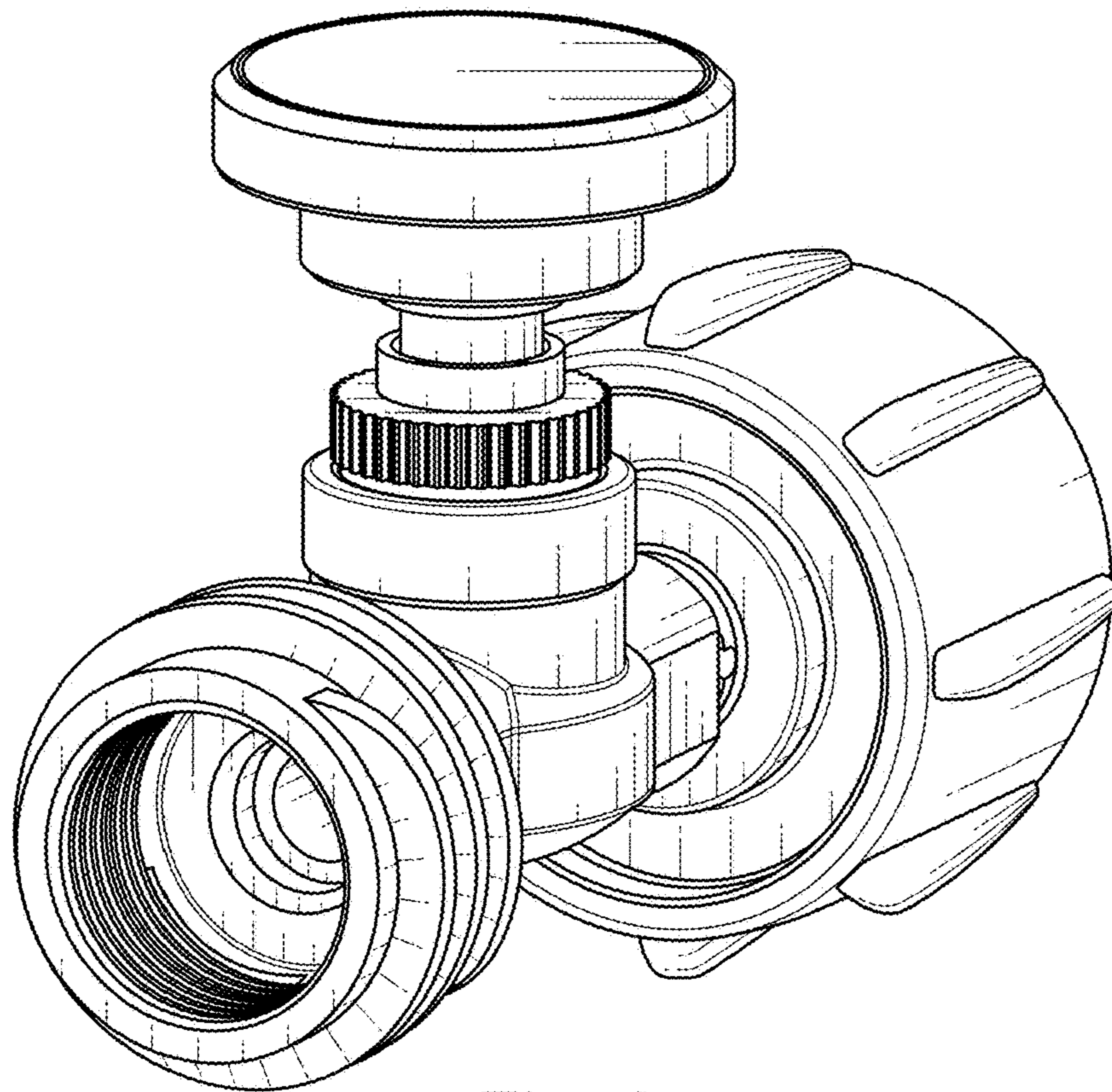


Fig. 8

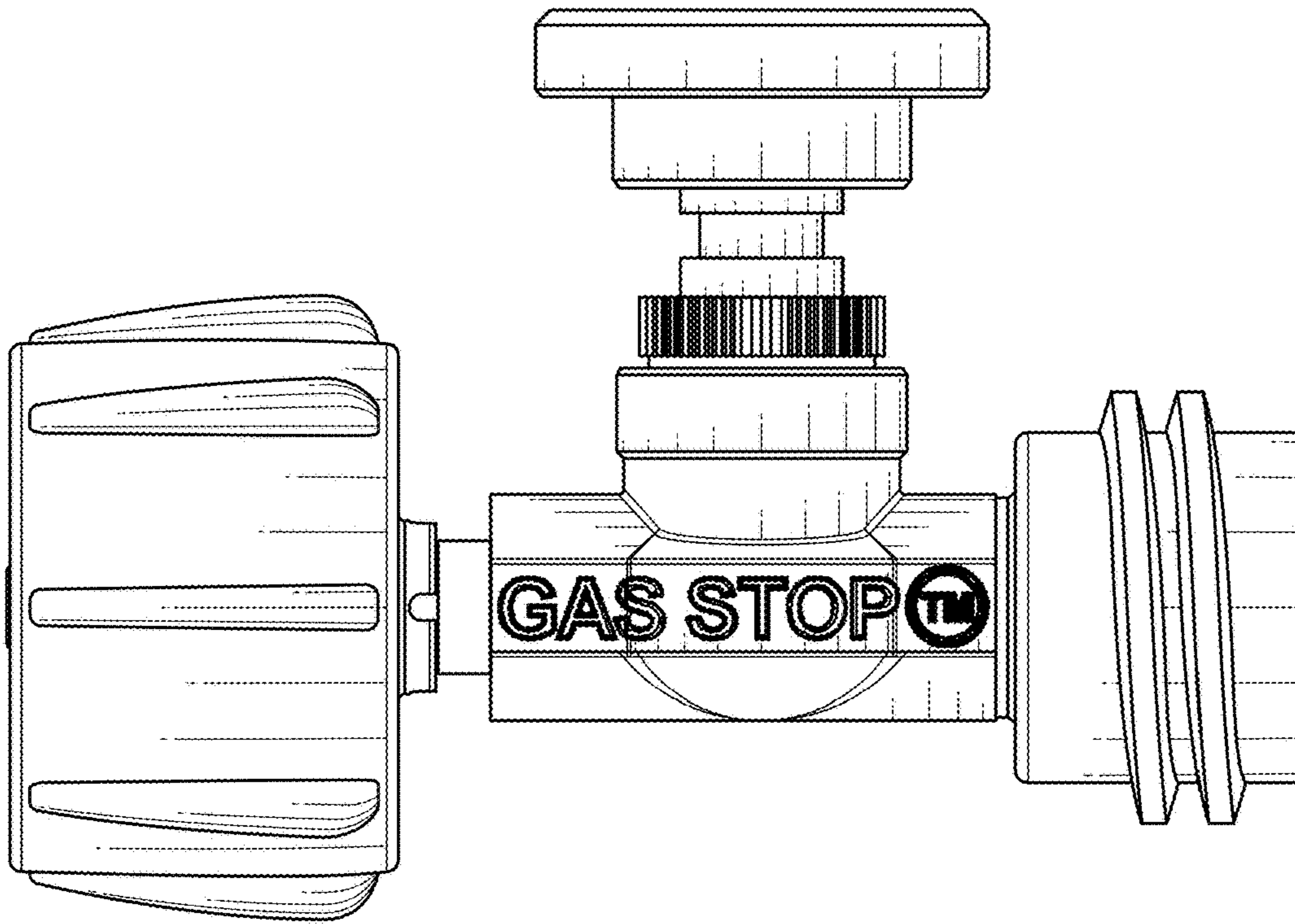


Fig. 9

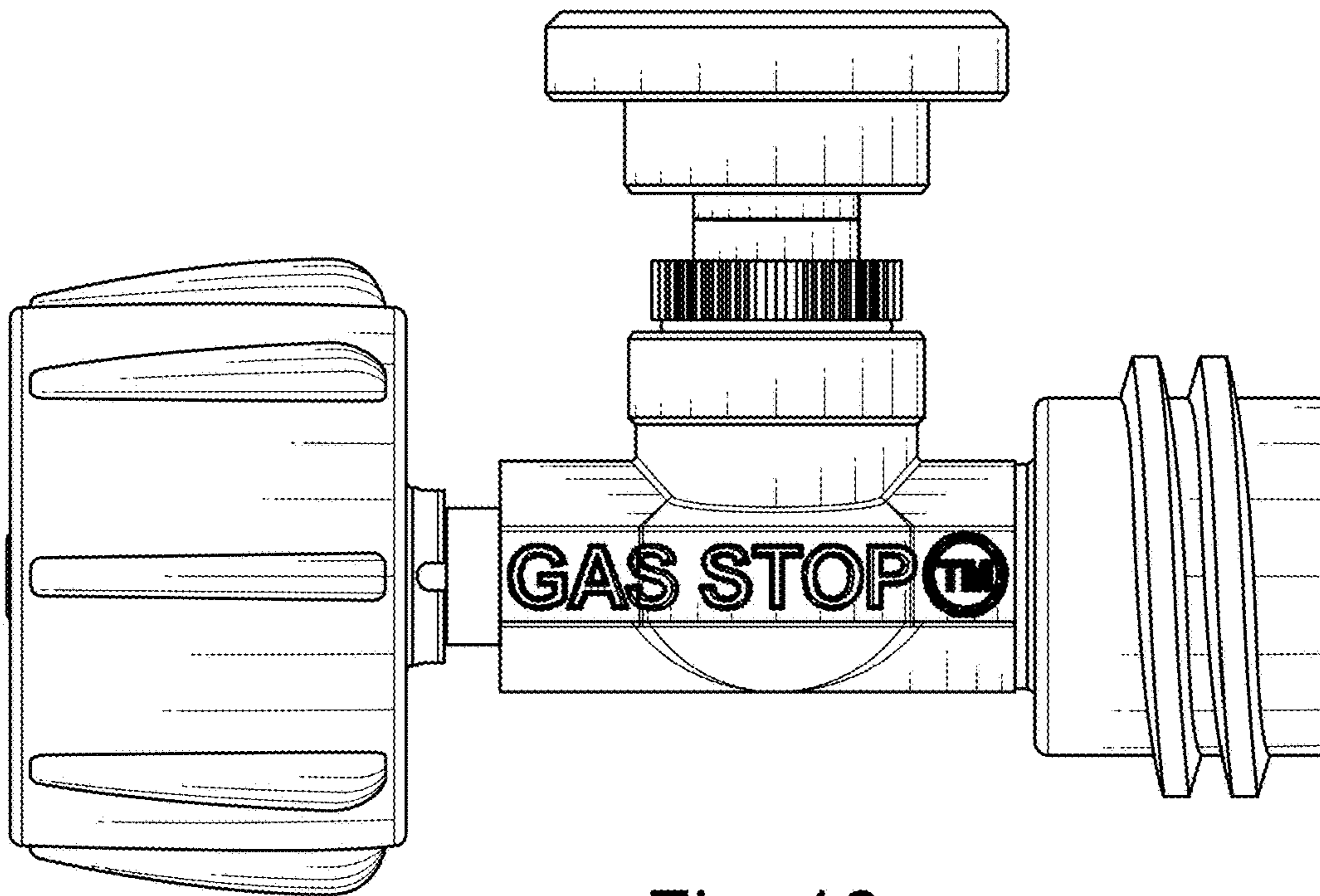


Fig. 10

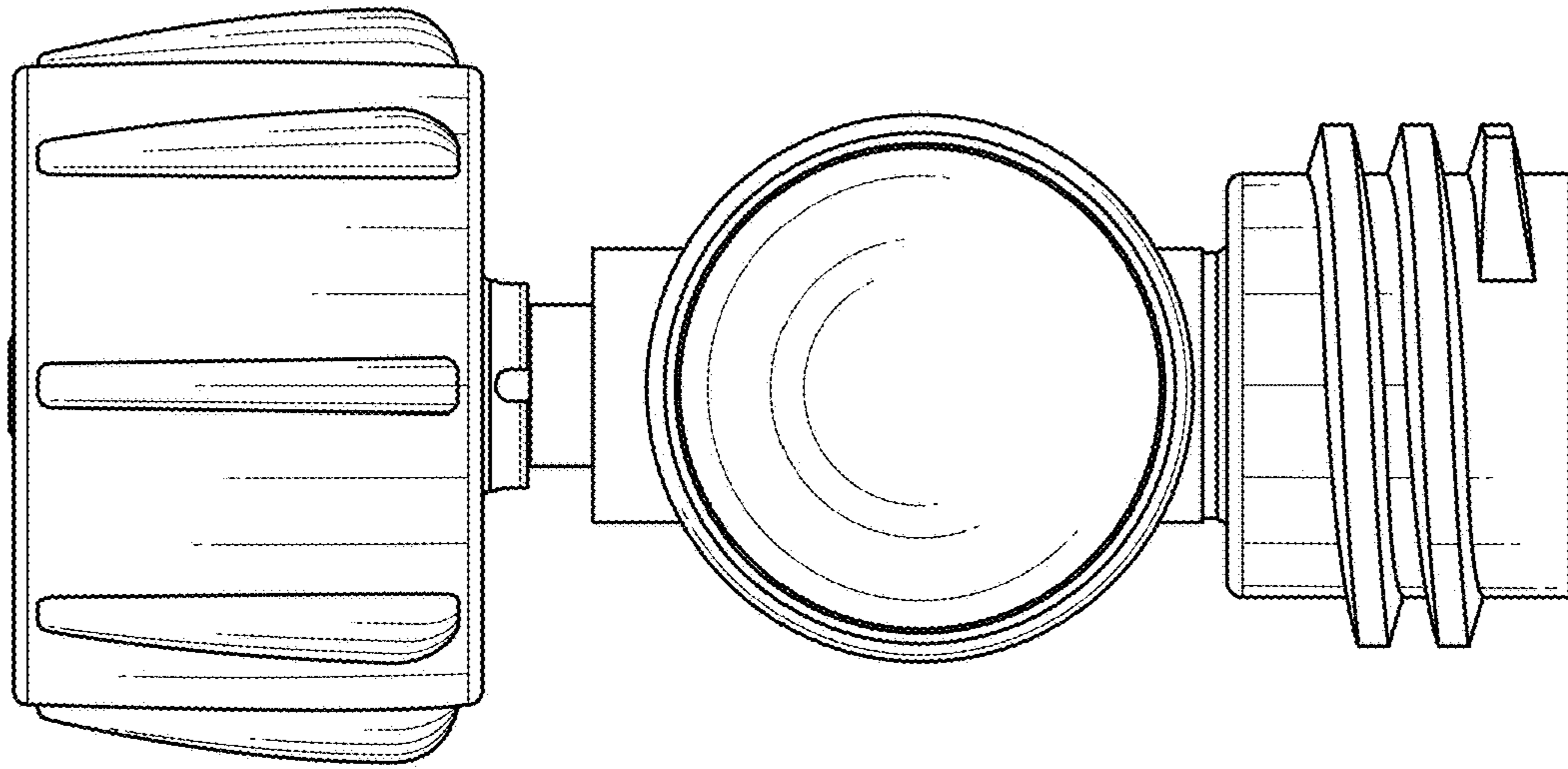


Fig. 11

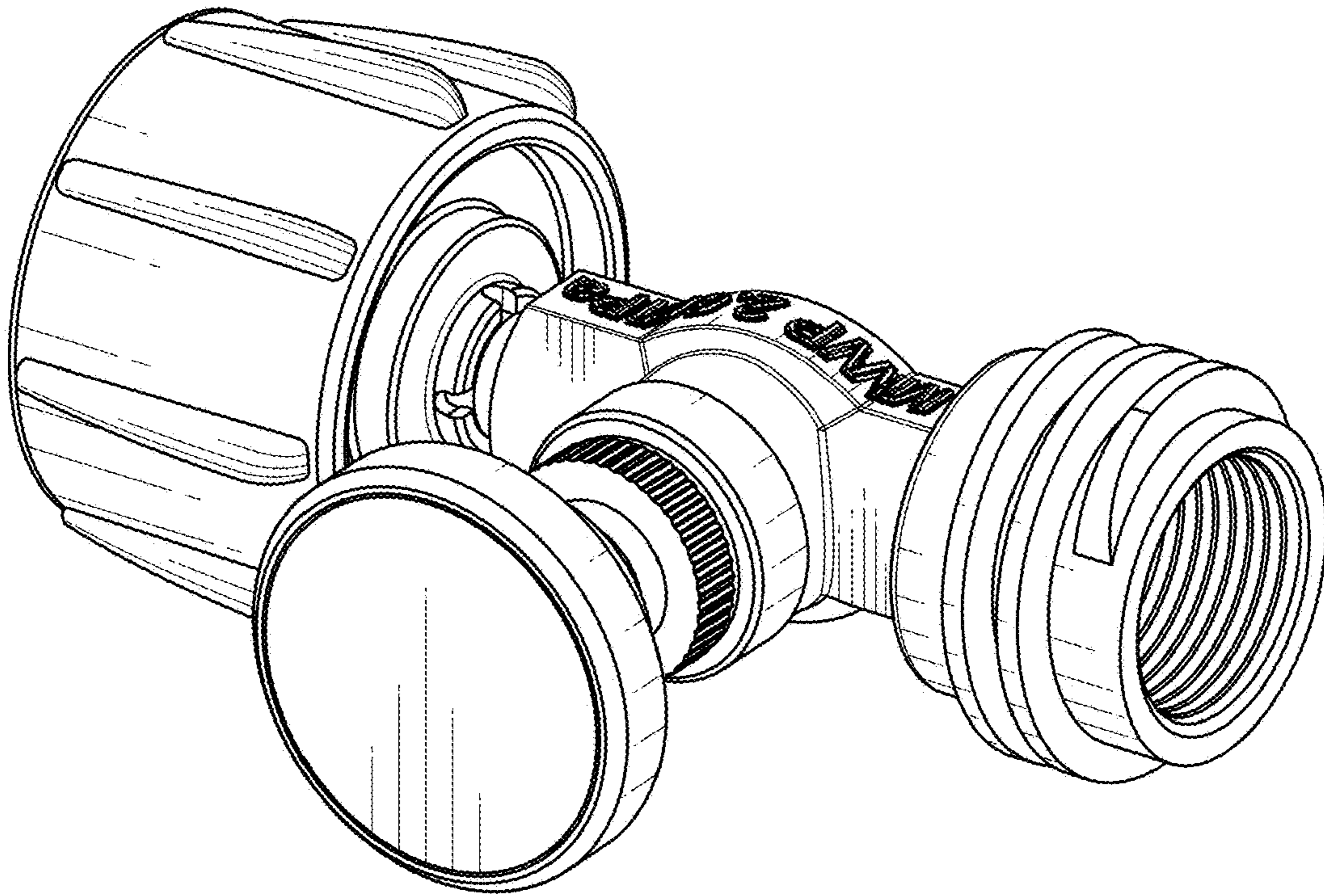


Fig. 12

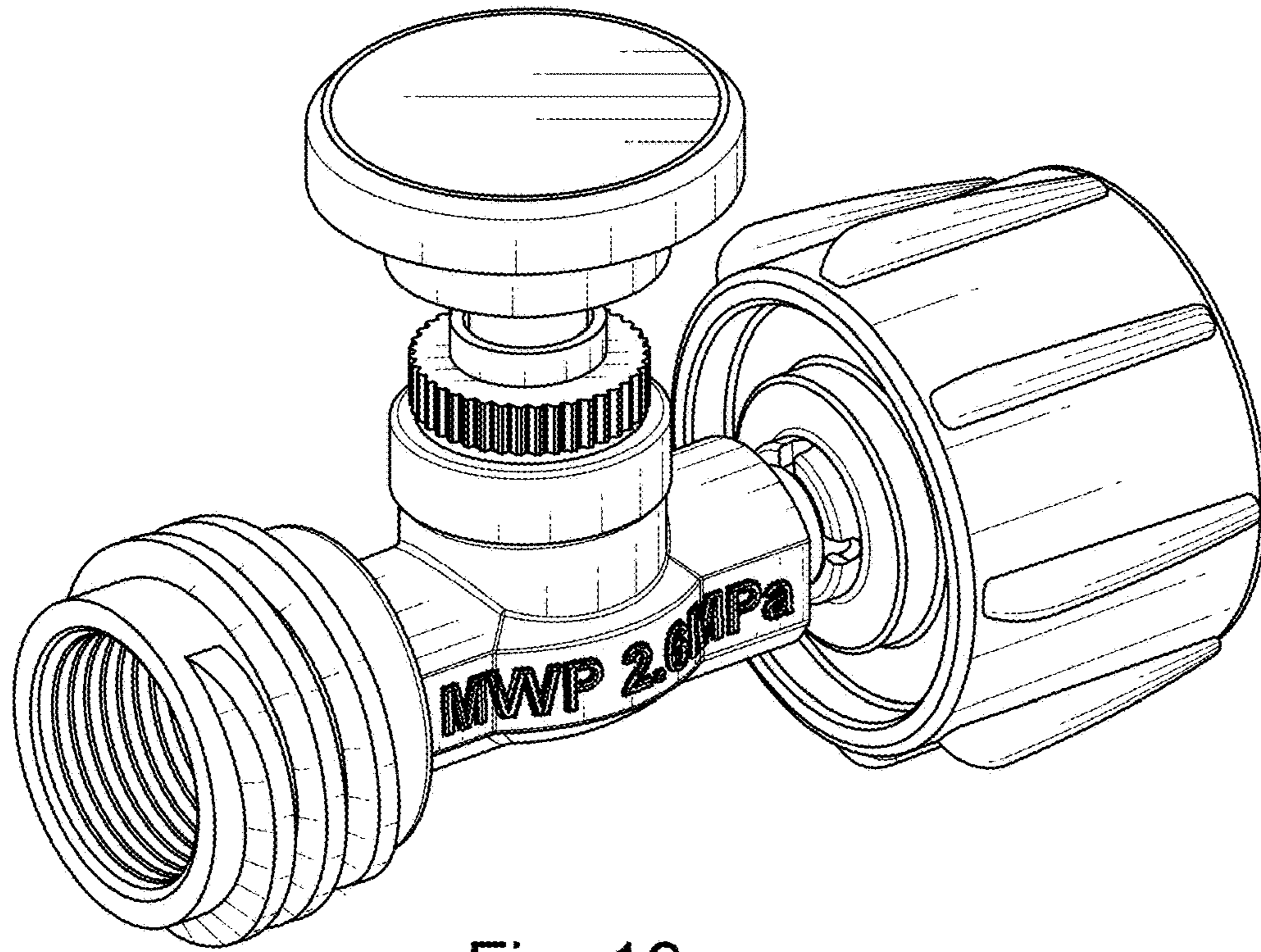


Fig. 13

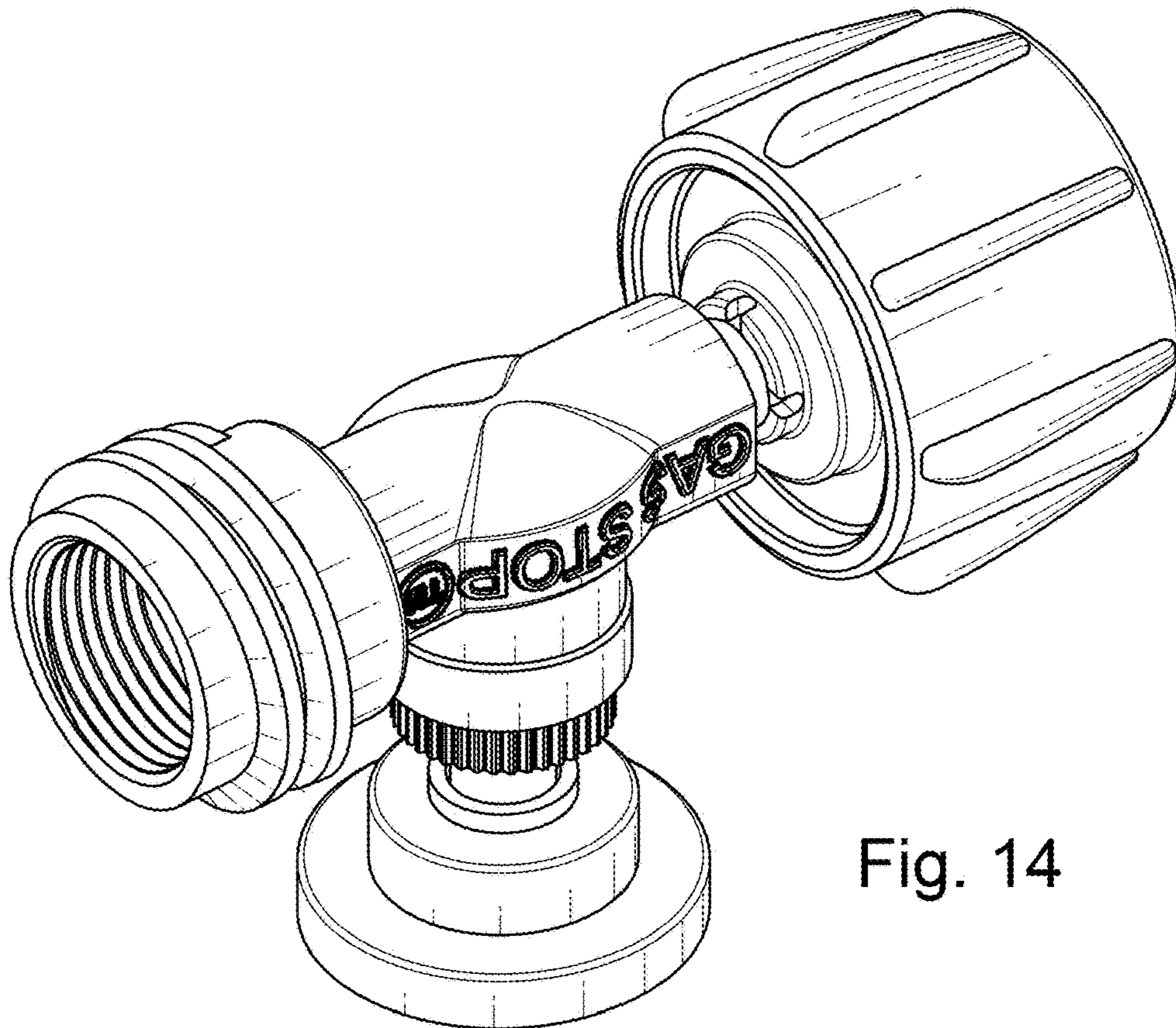


Fig. 14

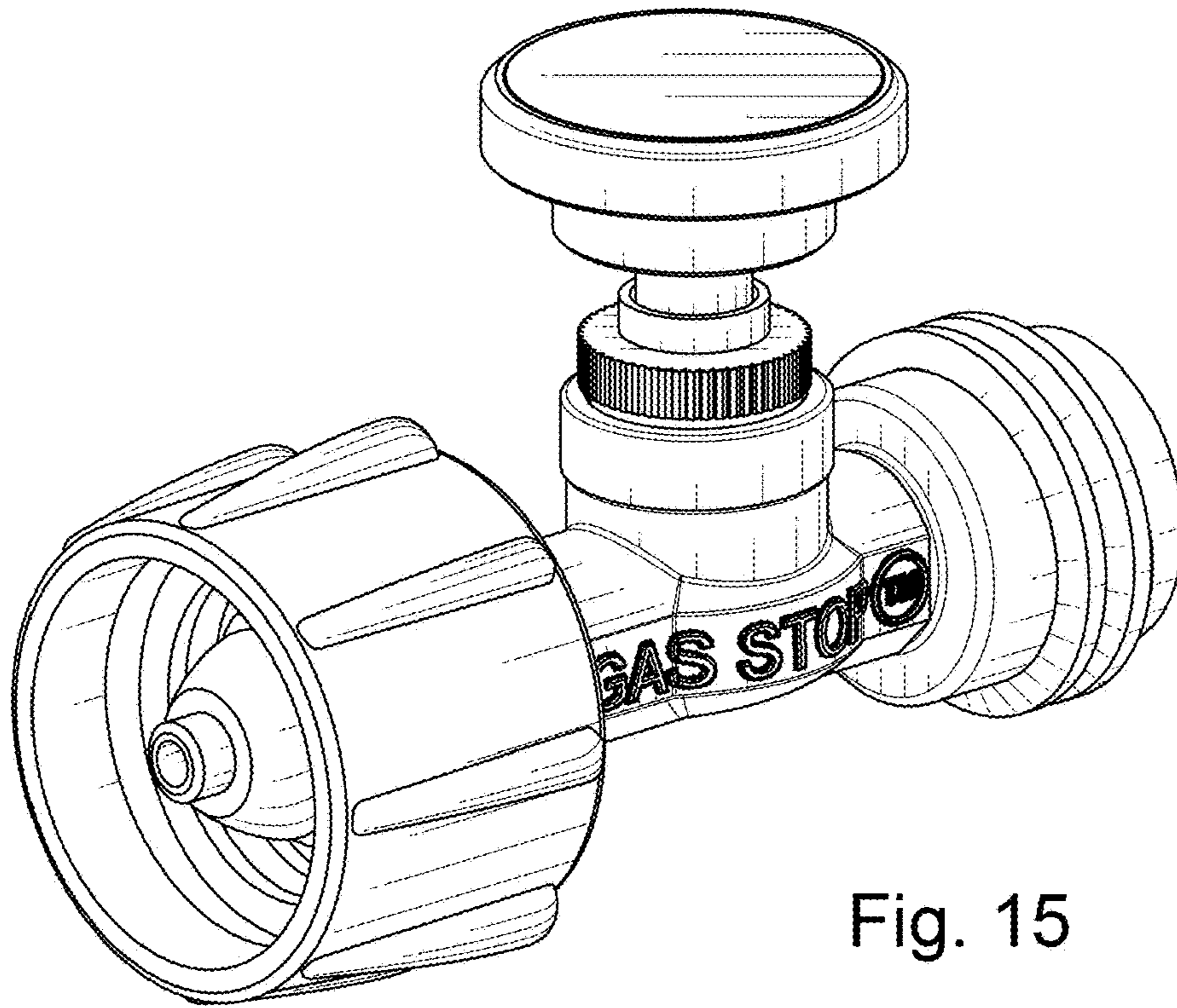


Fig. 15

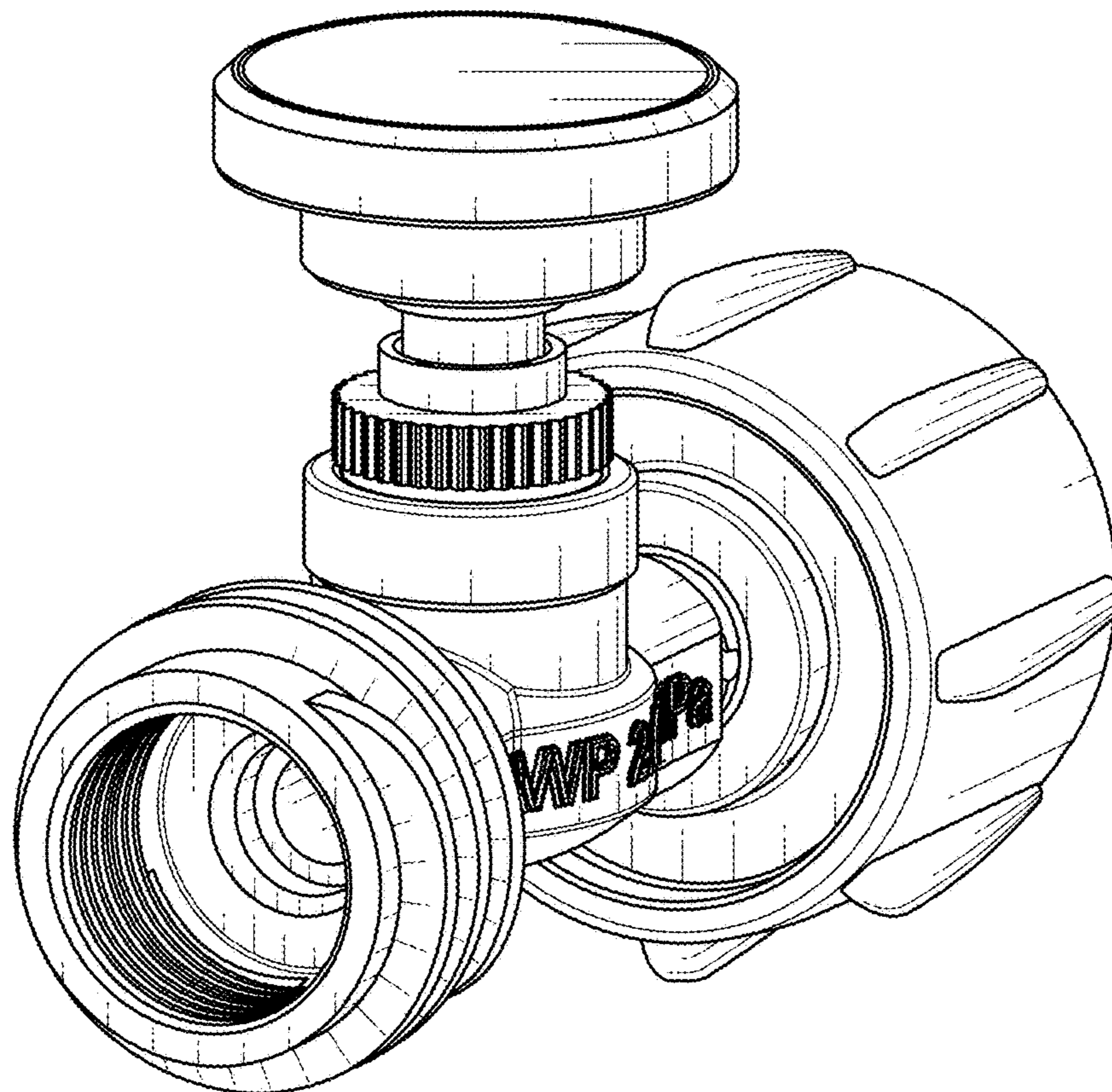


Fig. 16