

US00D872833S

(12) **United States Design Patent** (10) **Patent No.:** **US D872,833 S**
Takahashi et al. (45) **Date of Patent:** **** Jan. 14, 2020**

(54) **MANIFOLD TYPE ELECTROMAGNETIC VALVE**

(71) Applicant: **SMC CORPORATION**, Chiyoda-ku (JP)

(72) Inventors: **Masaharu Takahashi**, Moriya (JP);
Takashi Murakami, Moriya (JP);
Shinichi Yoshimura, Moriya (JP);
Shinji Miyazoe, Moriya (JP)

(73) Assignee: **SMC CORPORATION**, Chiyoda-ku (JP)

(**) Term: **15 Years**

(21) Appl. No.: **29/665,820**

(22) Filed: **Oct. 8, 2018**

(30) **Foreign Application Priority Data**

Apr. 9, 2018 (JP) 2018-007740

(51) **LOC (12) Cl.** **23-01**

(52) **U.S. Cl.**
USPC **D23/233**

(58) **Field of Classification Search**

USPC D23/233, 249; 251/129.01, 129.09,
251/129.15, 129.21, 129.2; 137/884, 597,
137/625.64, 883, 602
CPC .. F16K 31/0675; F16K 27/029; F16K 27/048;
F16K 31/06; F16K 27/003; F16K
31/0634

See application file for complete search history.

(56) **References Cited**

U.S. PATENT DOCUMENTS

D616,965 S *	6/2010	Miyazoe	D23/233
D689,984 S *	9/2013	Miyazoe	D23/233
D690,392 S *	9/2013	Miyazoe	D23/233
D812,720 S *	3/2018	Yoshida	D23/233
D827,777 S *	9/2018	Miyazoe	D23/233
D827,778 S *	9/2018	Miyazoe	D23/233

* cited by examiner

Primary Examiner — Gino Colan

(74) *Attorney, Agent, or Firm* — Oblon, McClelland,
Maier & Neustadt, L.L.P.

(57) **CLAIM**

The ornamental design for a manifold type electromagnetic valve, as shown and described.

DESCRIPTION

FIG. 1 is a front, top, and left side perspective view of a manifold type electromagnetic valve;
FIG. 2 is a rear, bottom, and right side perspective view thereof;
FIG. 3 is a front elevational view thereof;
FIG. 4 is a rear elevational view thereof;
FIG. 5 is a top plan view thereof;
FIG. 6 is a bottom plan view thereof;
FIG. 7 is a left side elevational view thereof; and,
FIG. 8 is a right side elevational view thereof.
The broken lines shown in the figures are for the purpose of illustrating portions of the manifold type electromagnetic valve that form no part of the claimed design.

1 Claim, 8 Drawing Sheets

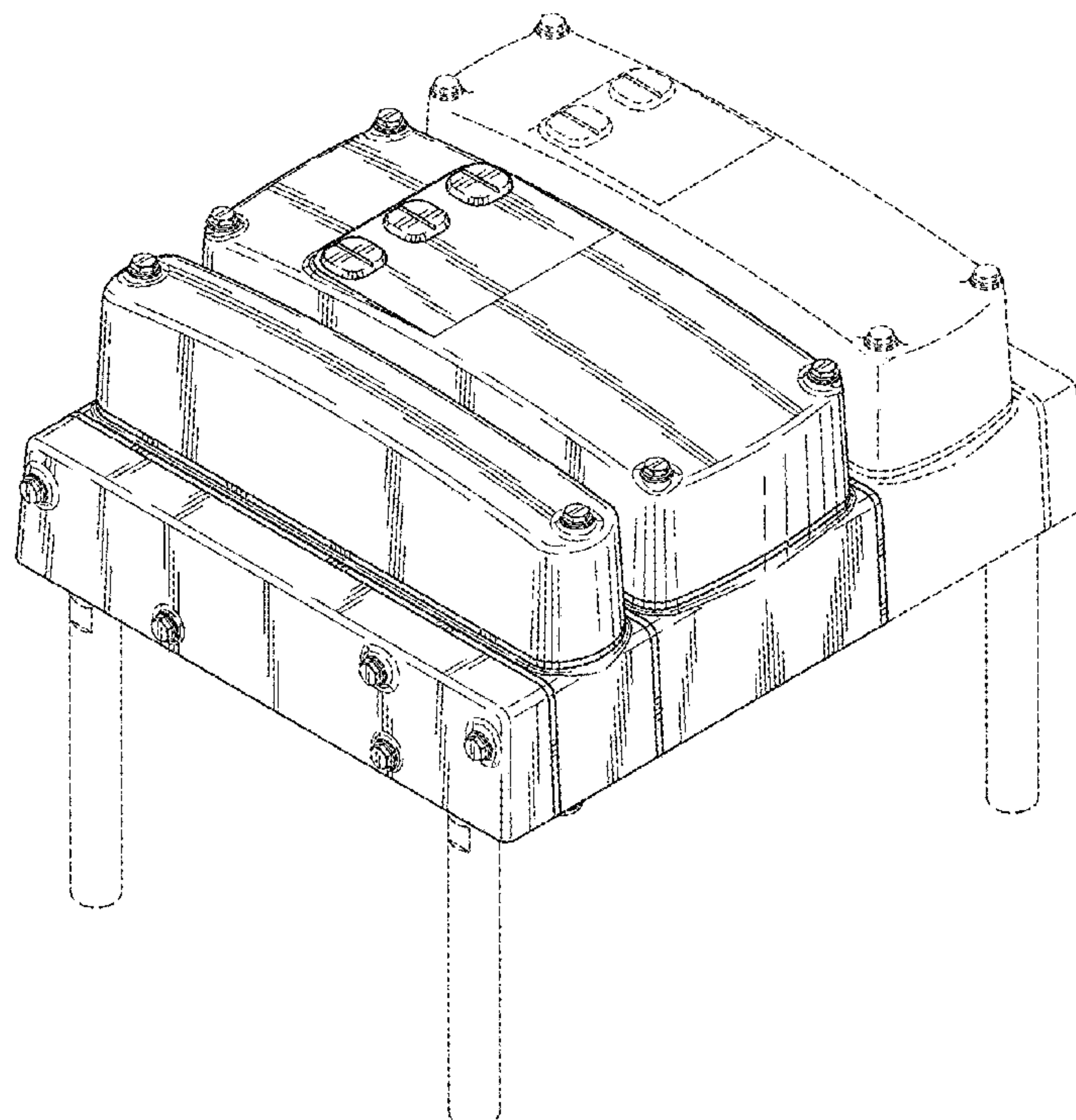


FIG. 1

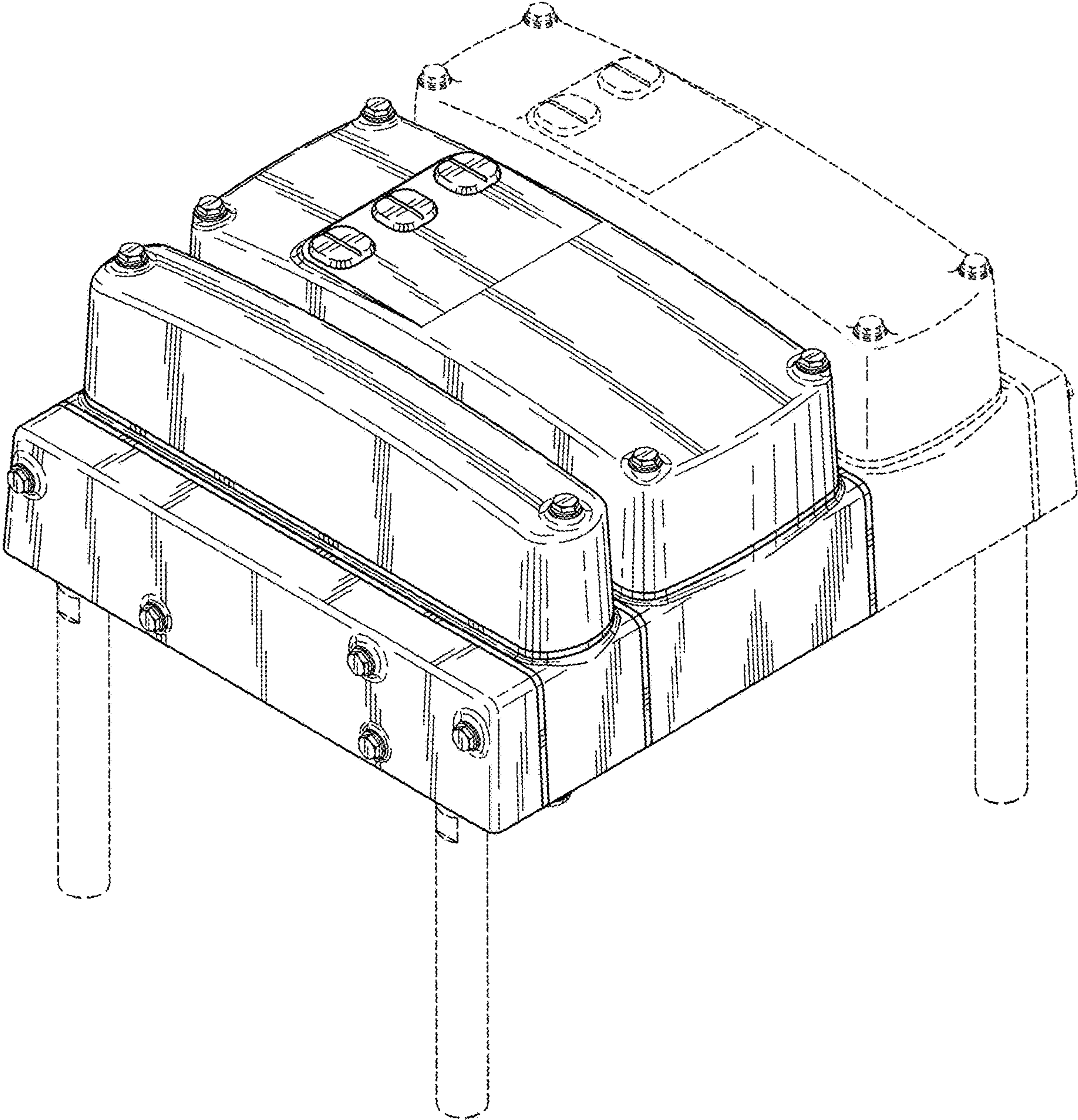


FIG. 2

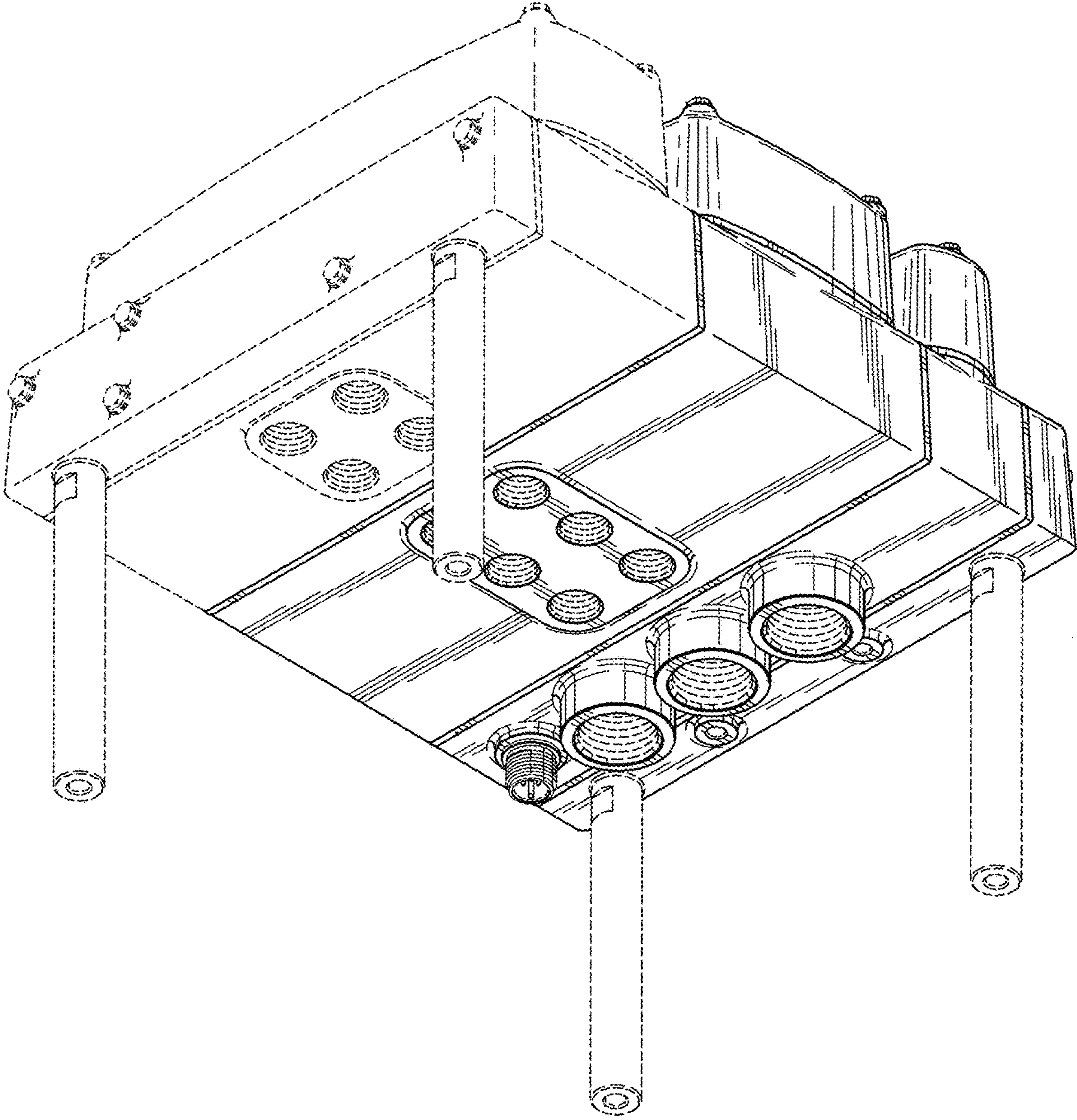


FIG. 3

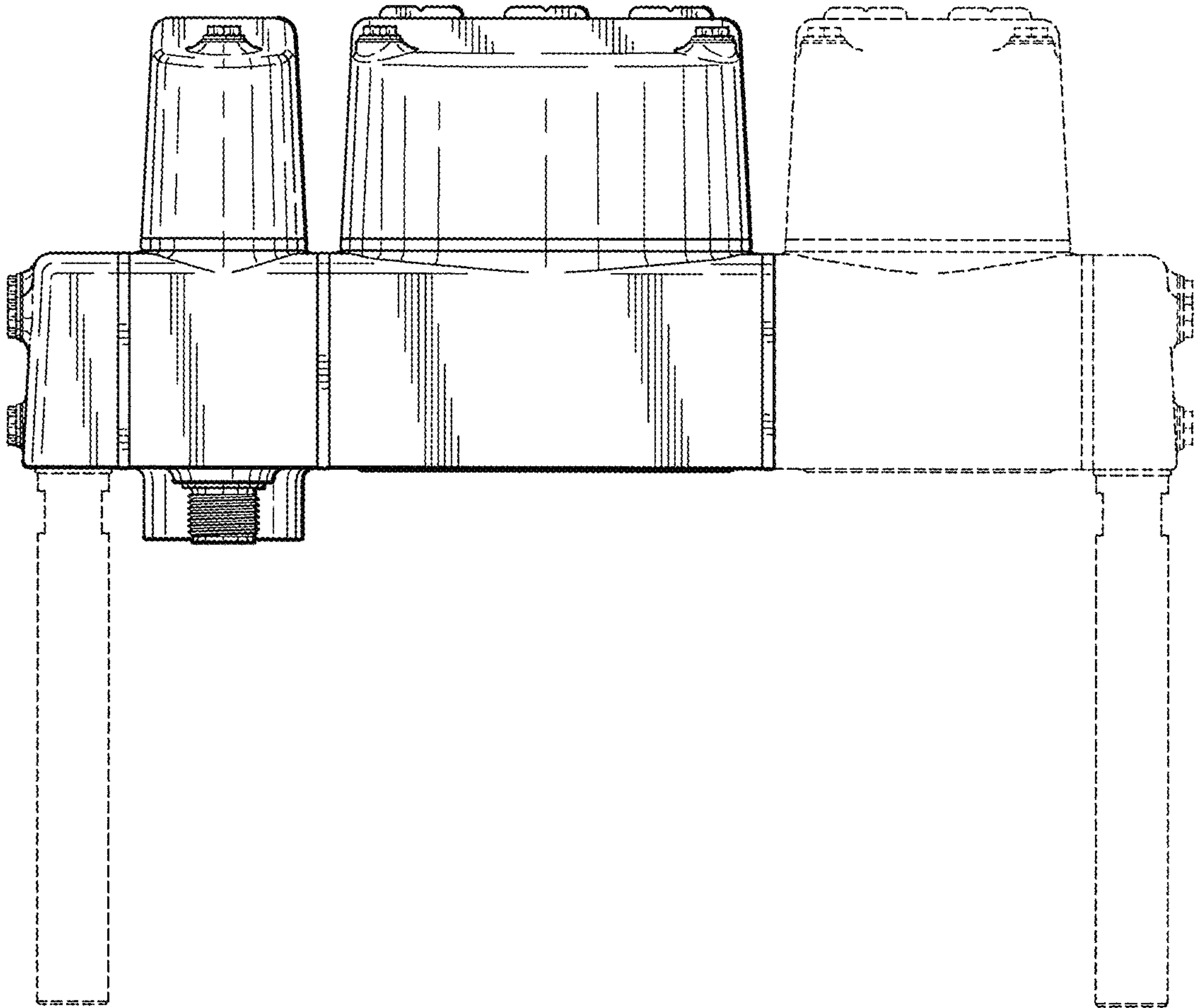


FIG. 4

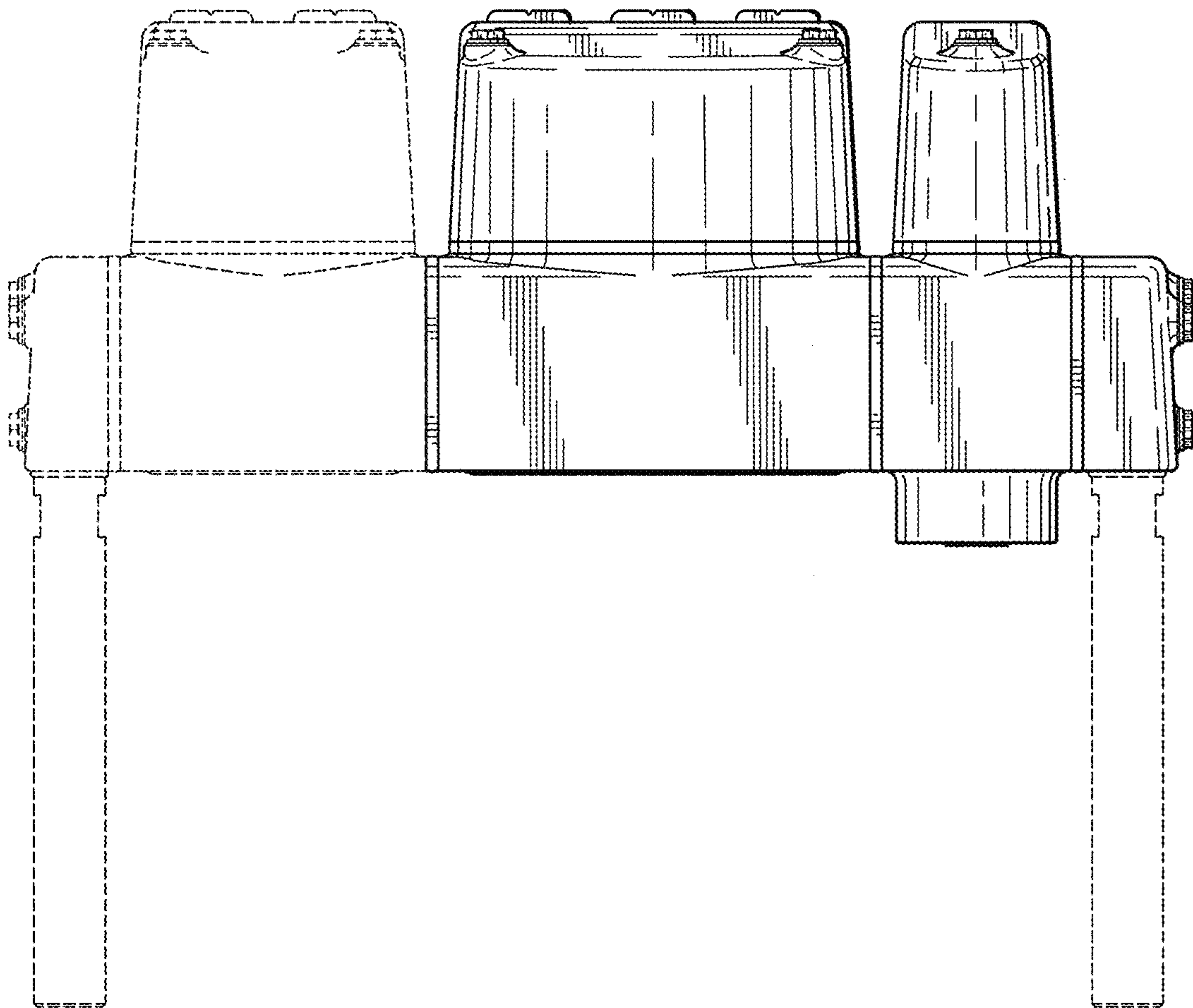


FIG. 5

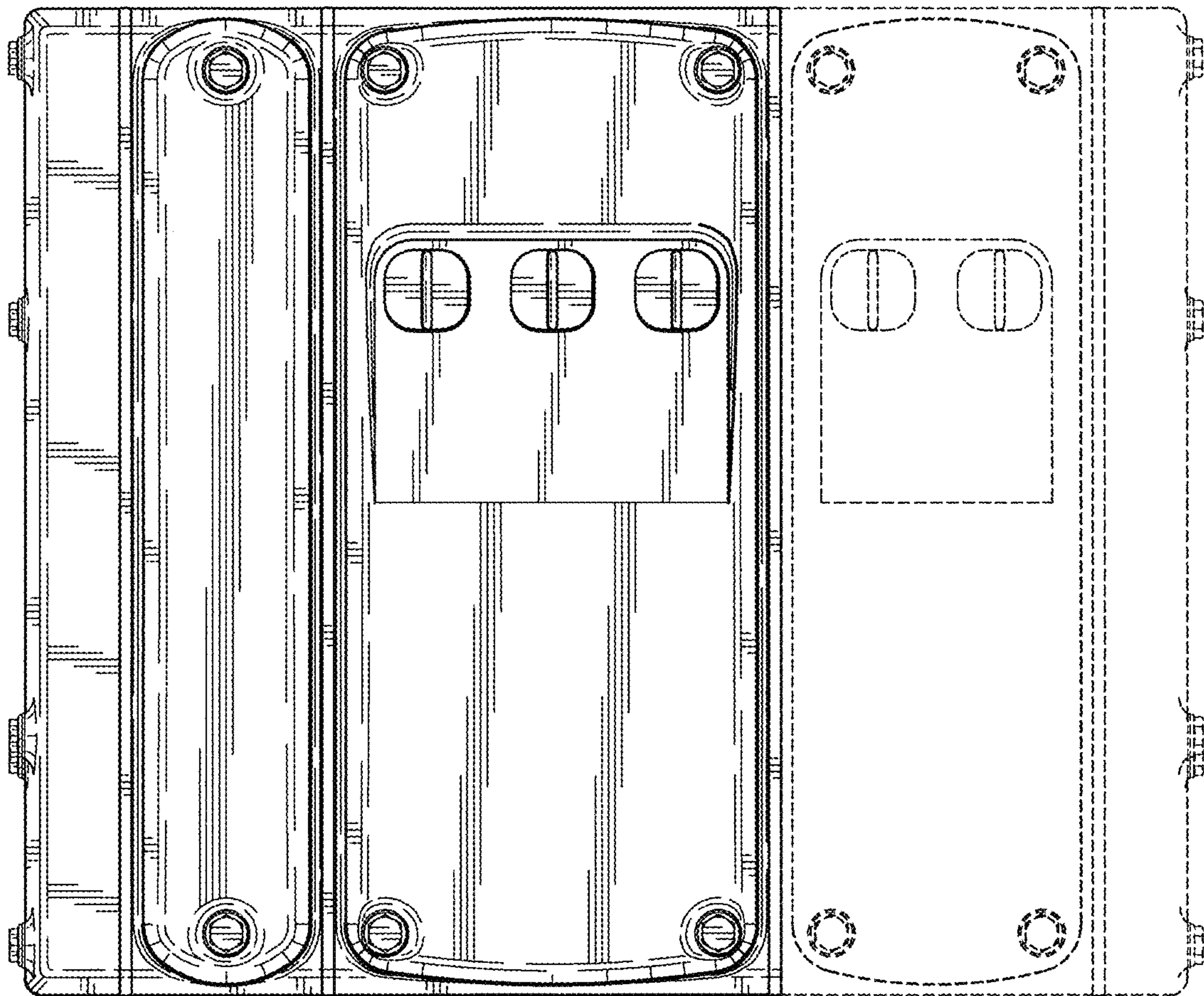


FIG. 6

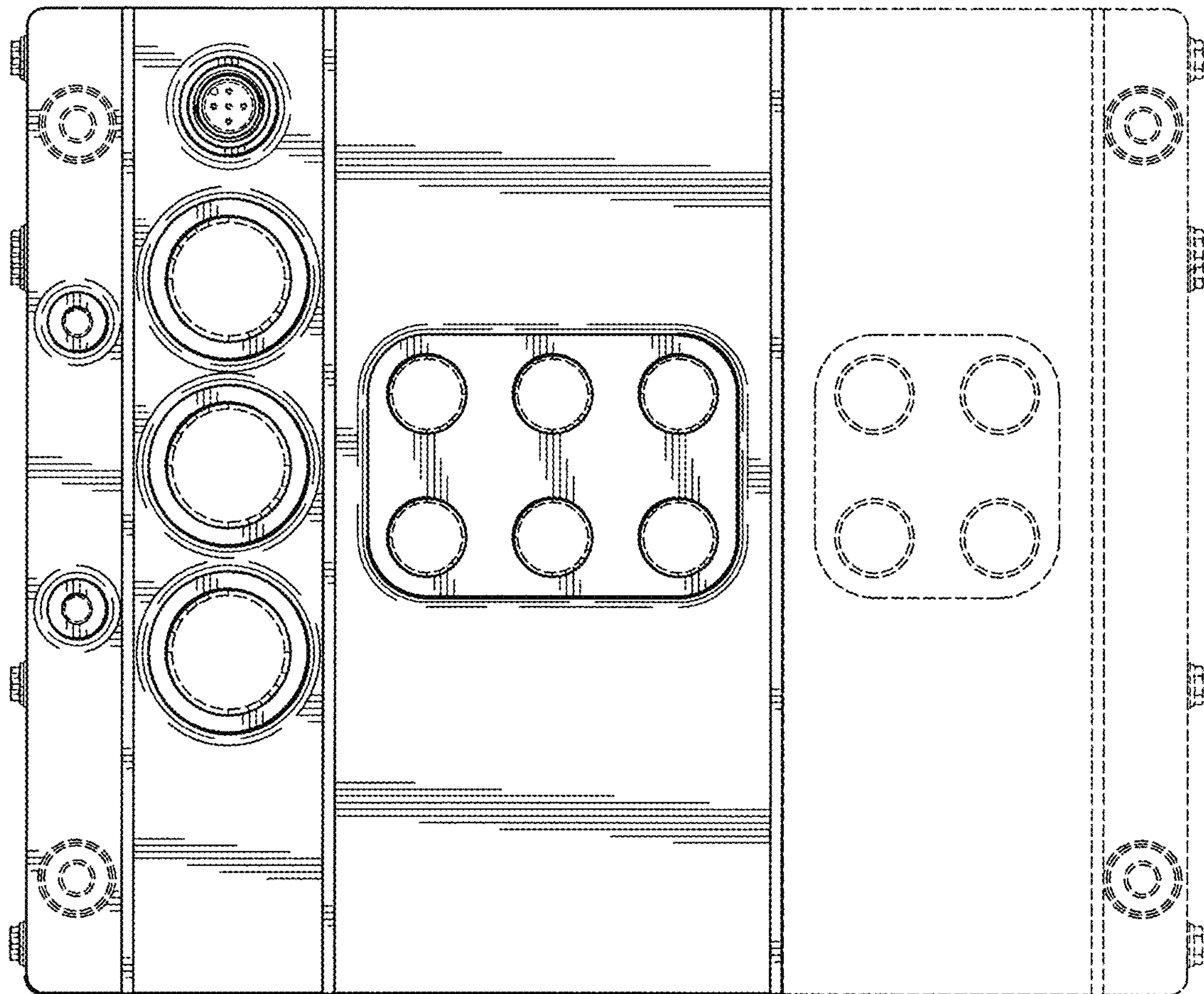


FIG. 7

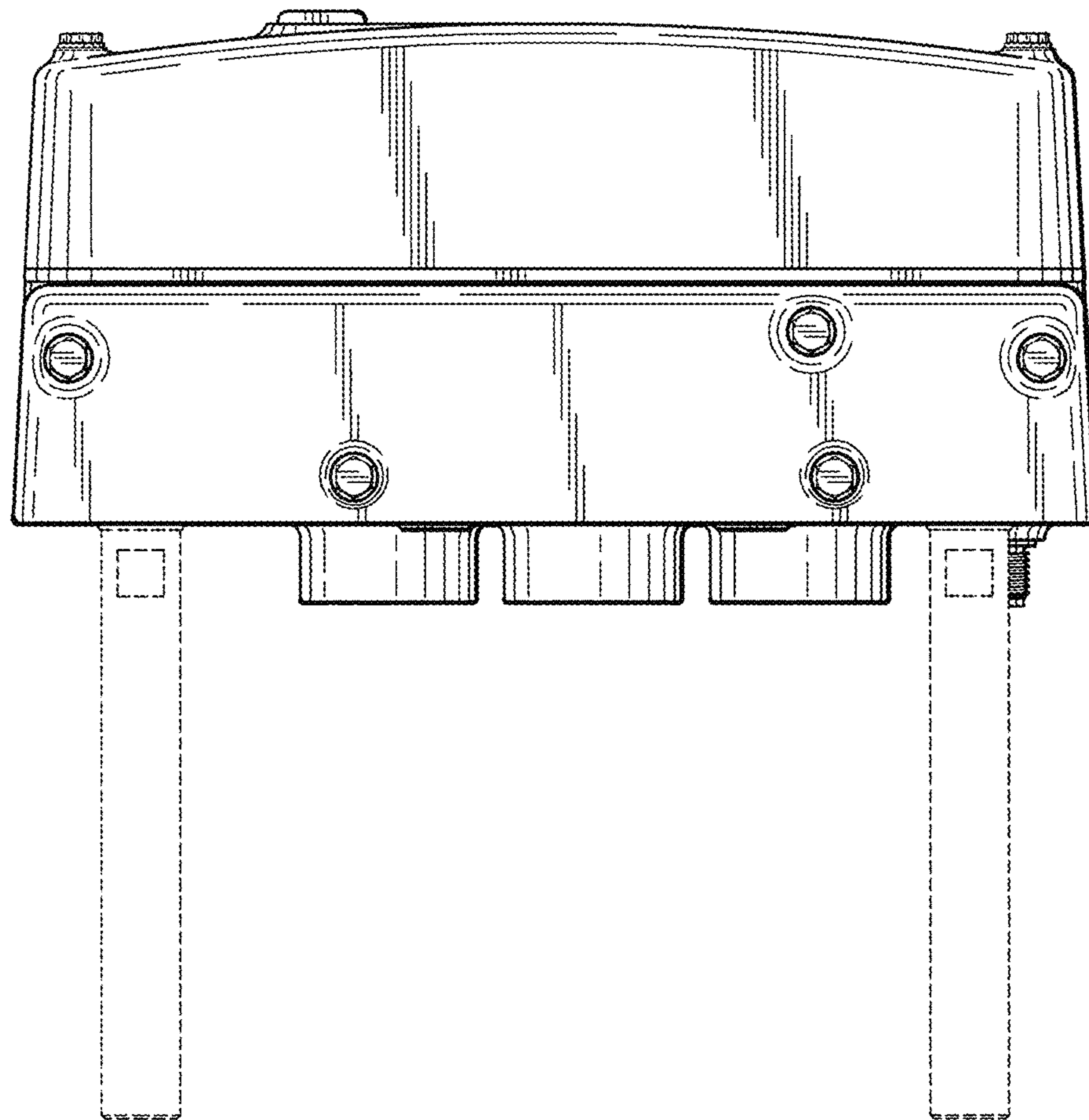


FIG. 8

