



US00D872832S

(12) **United States Design Patent**
Roh et al.

(10) **Patent No.:** **US D872,832 S**
(45) **Date of Patent:** **** Jan. 14, 2020**

- (54) **VALVE FOR SOLUTION SUPPLY**
- (71) Applicant: **UNICO Co., Ltd.**, Bucheon-si (KR)
- (72) Inventors: **Yong Hwan Roh**, Gongju-si (KR);
Seung Hyun Roh, Guri-si (KR); **Seo Hyun Roh**, Guri-si (KR)
- (73) Assignee: **UNICO CO., LTD.** (KR)
- (**) Term: **15 Years**
- (21) Appl. No.: **29/605,281**
- (22) Filed: **May 25, 2017**
- (51) **LOC (12) Cl.** **23-01**
- (52) **U.S. Cl.**
USPC **D23/233**
- (58) **Field of Classification Search**
USPC D23/233–250; 4/227, 3, 227.1–227.6;
137/240, 243.2, 516.15, 625.47, 613;
239/296, 583; 251/149
CPC B05C 5/0225; B05C 5/0237; B05C 5/02;
E03D 9/037; E03D 9/03; E03D 9/02
See application file for complete search history.

- 7,003,813 B1 * 2/2006 Krause E03D 9/037
4/227.2
- D641,070 S * 7/2011 Fukano D23/233
- D820,394 S * 6/2018 Shigyou D23/233
- 10,196,804 B2 * 2/2019 Roh E03D 9/037
- 10,214,888 B2 * 2/2019 Doyle E03D 9/032

* cited by examiner

Primary Examiner — Gino Colan
(74) *Attorney, Agent, or Firm* — Park & Associates IP
Law, P.C.

(57) **CLAIM**

The ornamental design for a valve for solution supply, as shown and described.

DESCRIPTION

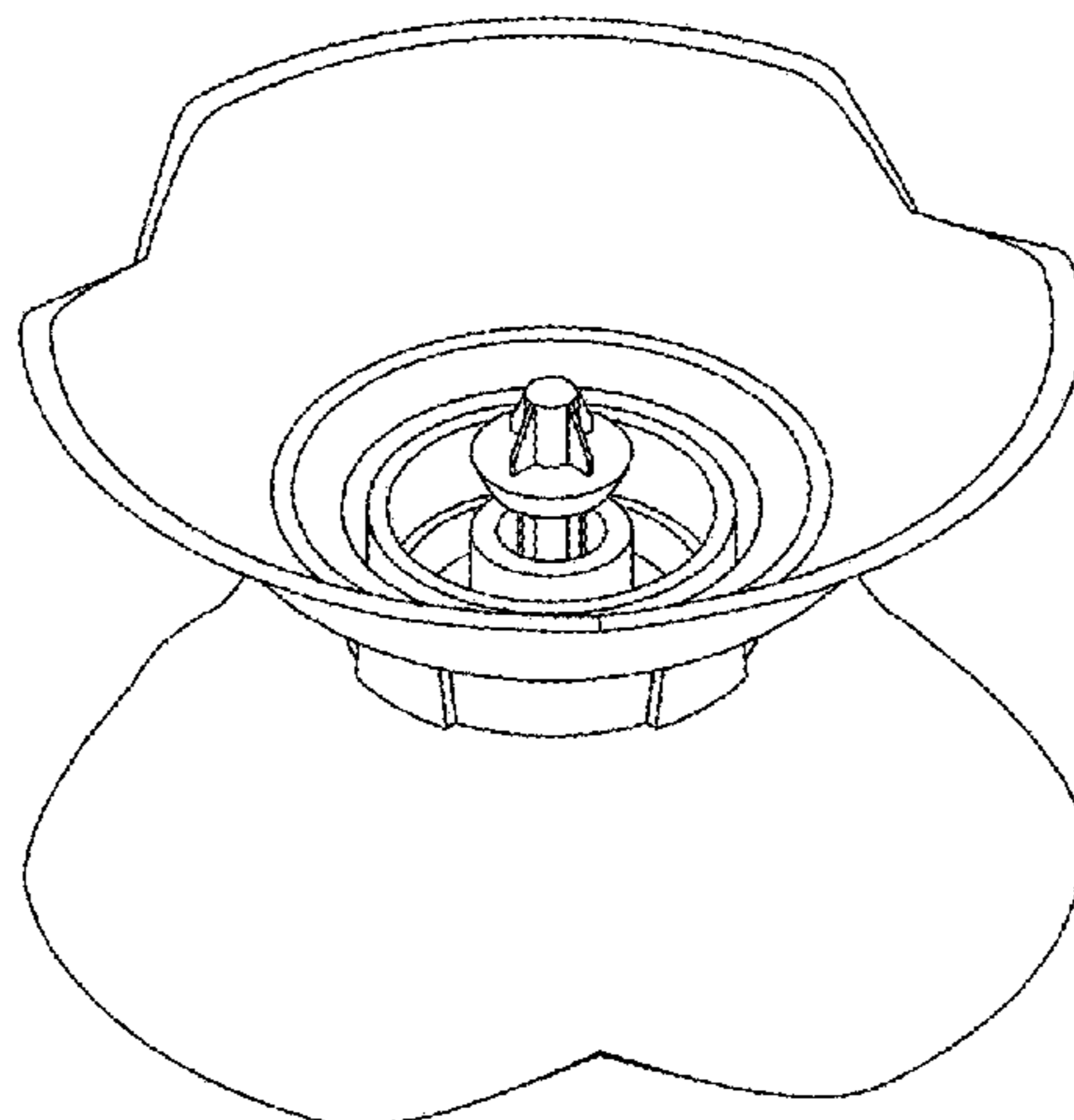
FIG. 1 is a perspective view of the valve for solution supply of the present invention;
 FIG. 2 is a front elevation view of the valve for solution supply of the present invention;
 FIG. 3 is a rear elevation view of the valve for solution supply of the present invention;
 FIG. 4 is a left side elevation view of the valve for solution supply of the present invention;
 FIG. 5 is a right side elevation view of the valve for solution supply of the present invention;
 FIG. 6 is a top plan view of the valve for solution supply of the present invention;
 FIG. 7 is a bottom plan view of the valve for solution supply of the present invention; and,
 FIG. 8 is an exploded perspective view, for reference, of the valve for solution supply of the present invention.
 The broken lines shown in the drawings are included for the purpose of showing portions of the design that form no part of the claimed design.

(56) **References Cited**

U.S. PATENT DOCUMENTS

- 1,869,411 A * 8/1932 De Mooy F16L 29/00
137/613
- 1,913,971 A * 6/1933 Benn F16L 37/107
251/149
- D257,062 S * 9/1980 Swartz D23/233
- 5,782,410 A * 7/1998 Weston B05B 12/085
239/583
- 6,062,492 A * 5/2000 Tudor B01F 5/0614
239/296
- 6,401,754 B1 * 6/2002 Winquist F16K 5/201
137/625.47
- D460,522 S * 7/2002 Flinchbaugh D23/233

1 Claim, 8 Drawing Sheets



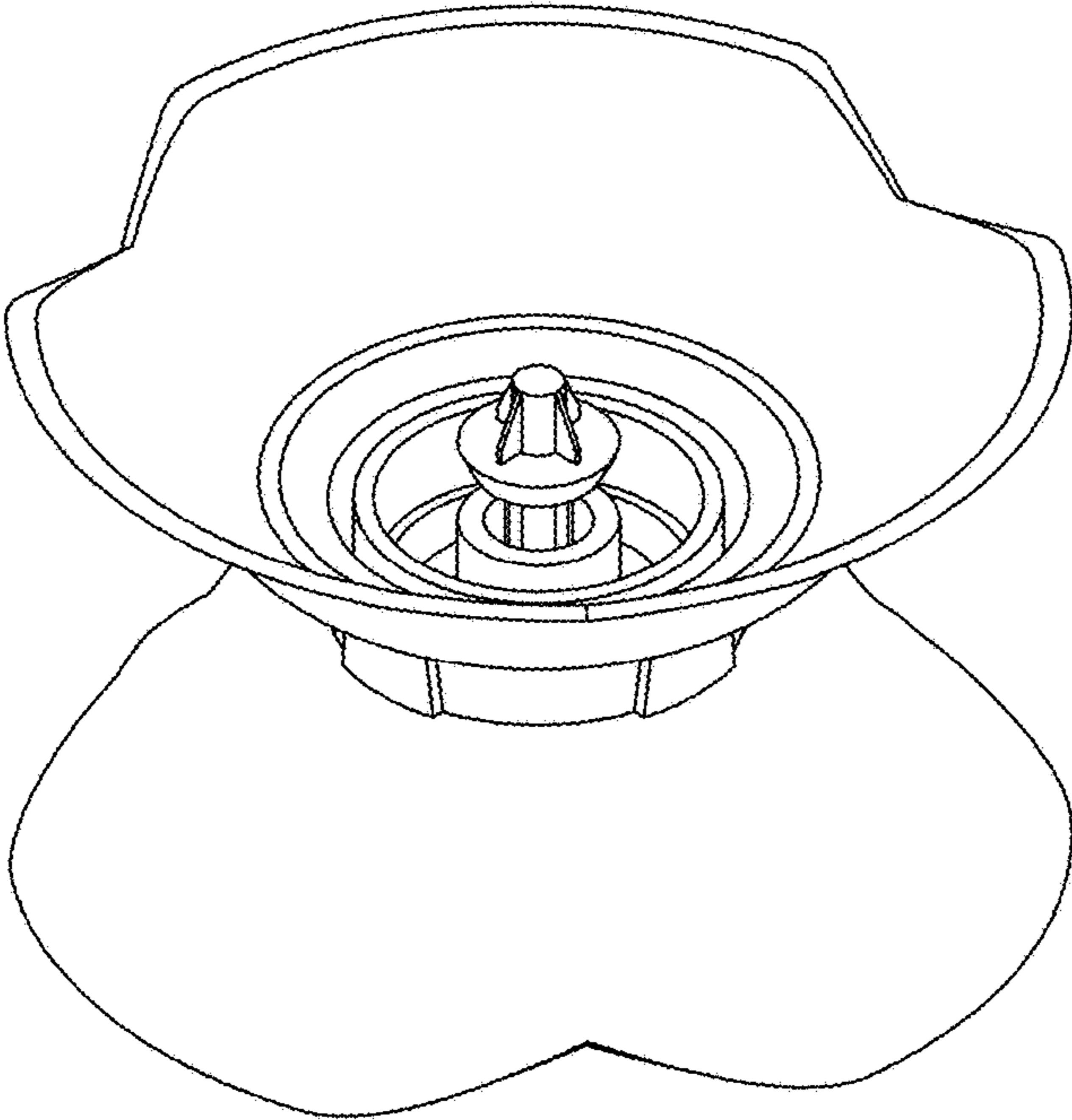


FIG. 1

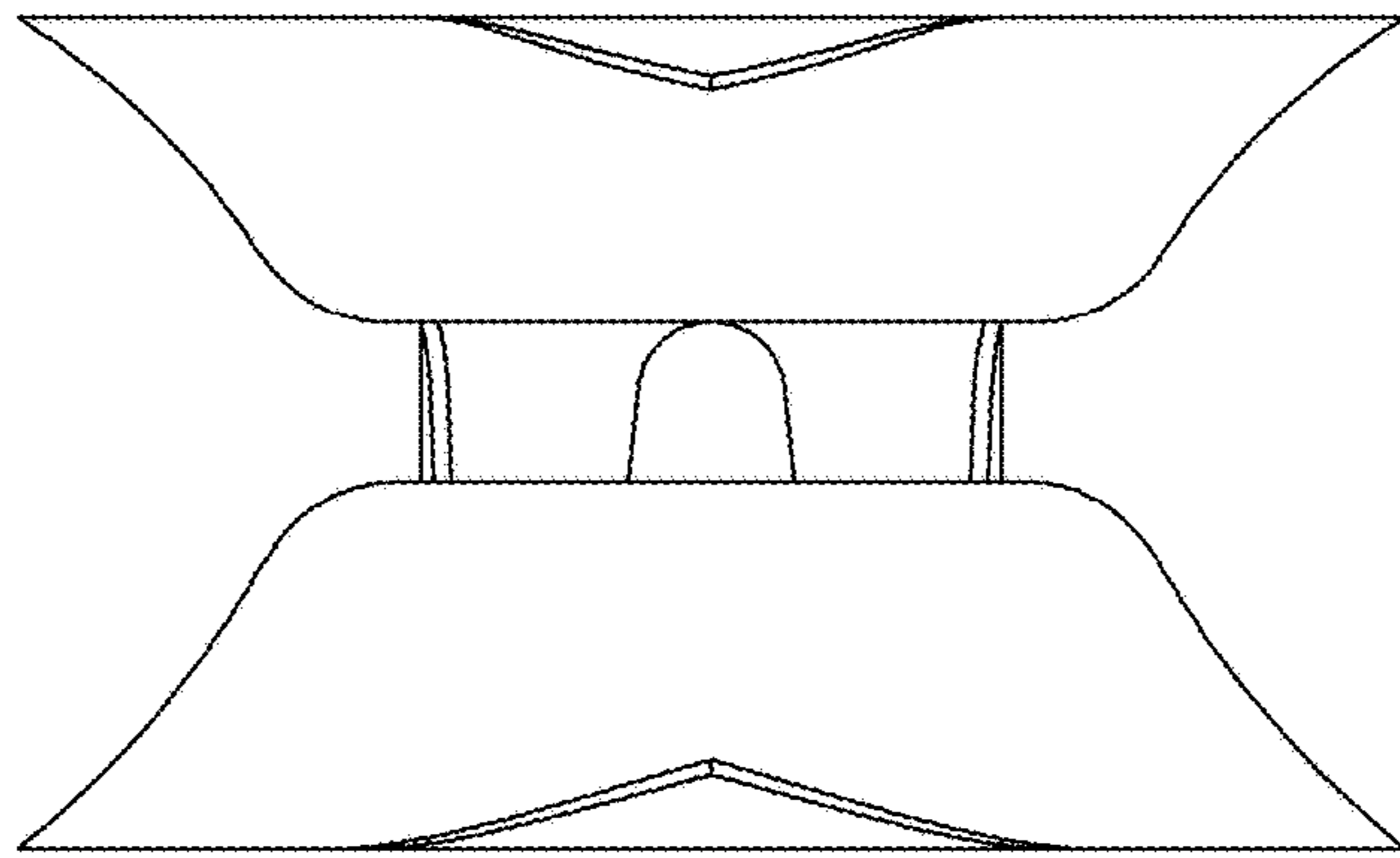


FIG. 2

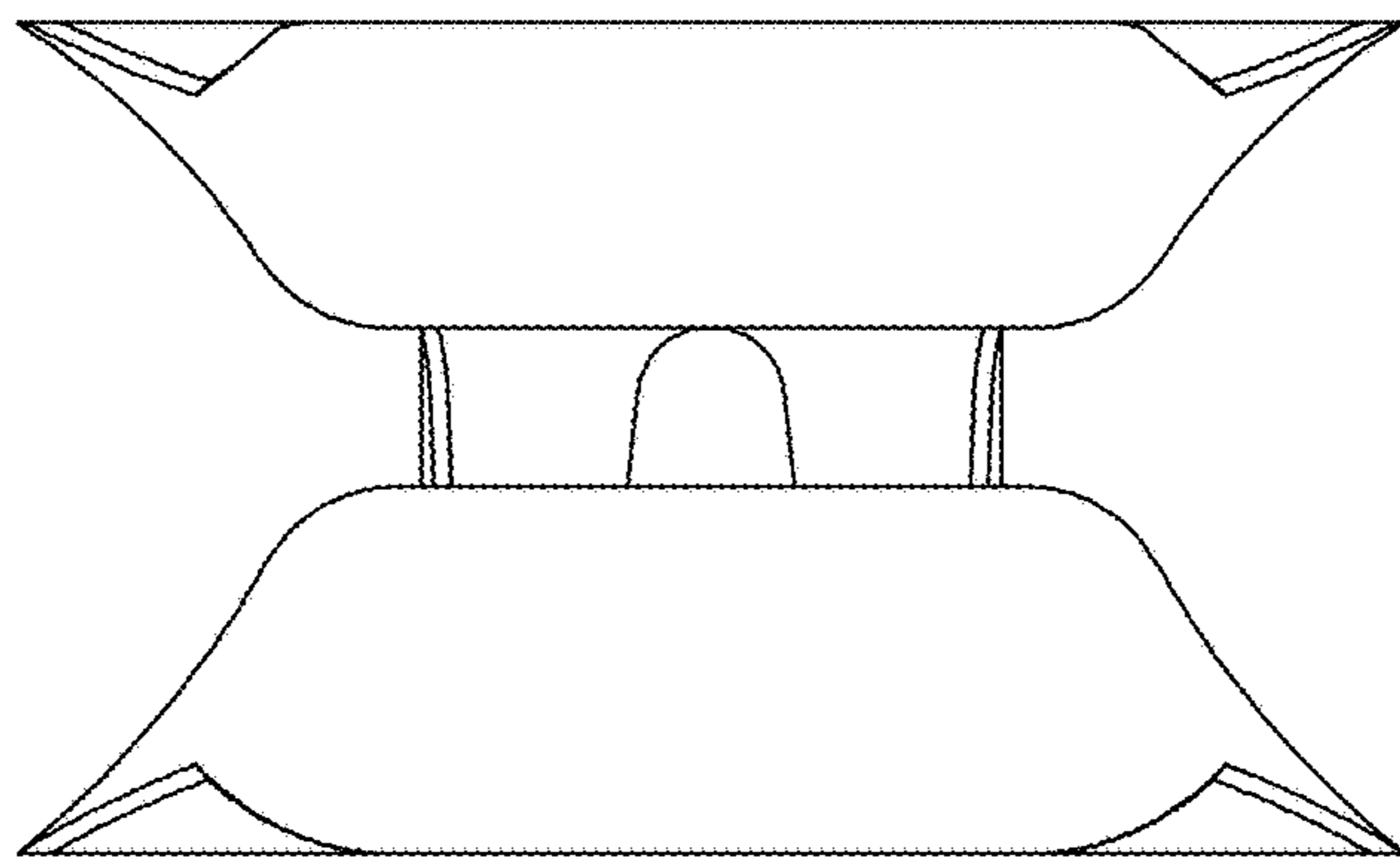


FIG. 3

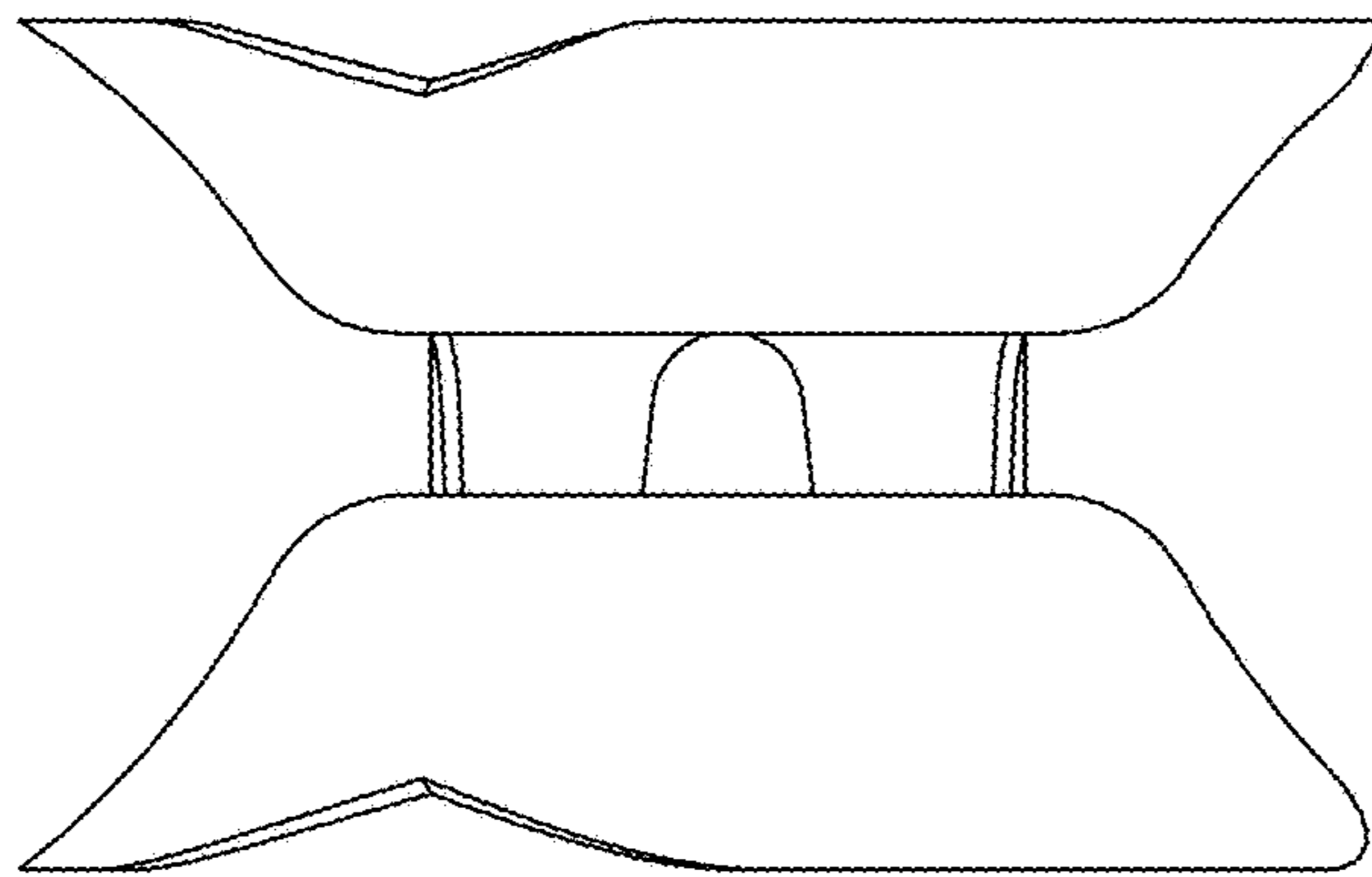


FIG. 4

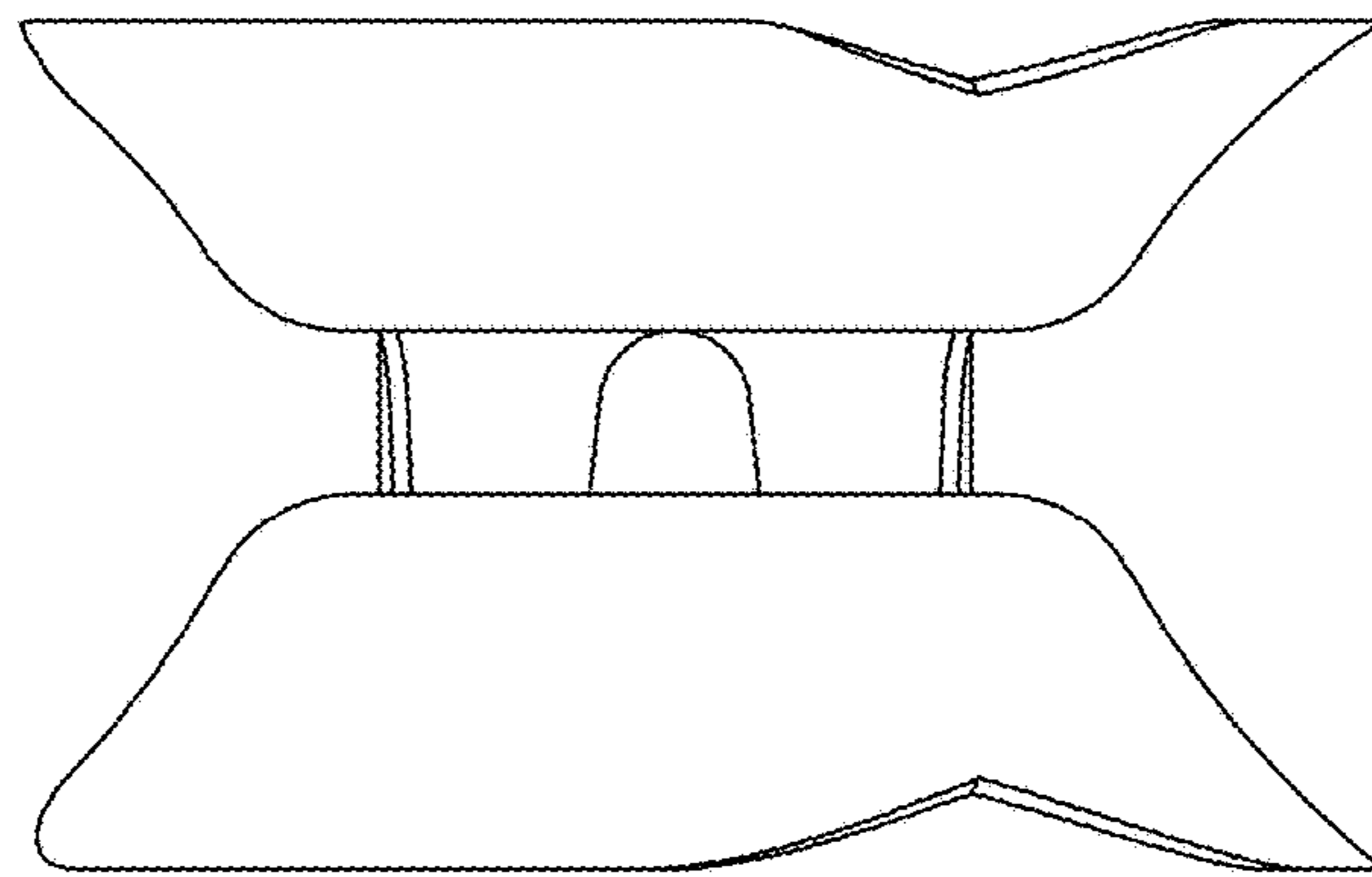


FIG. 5

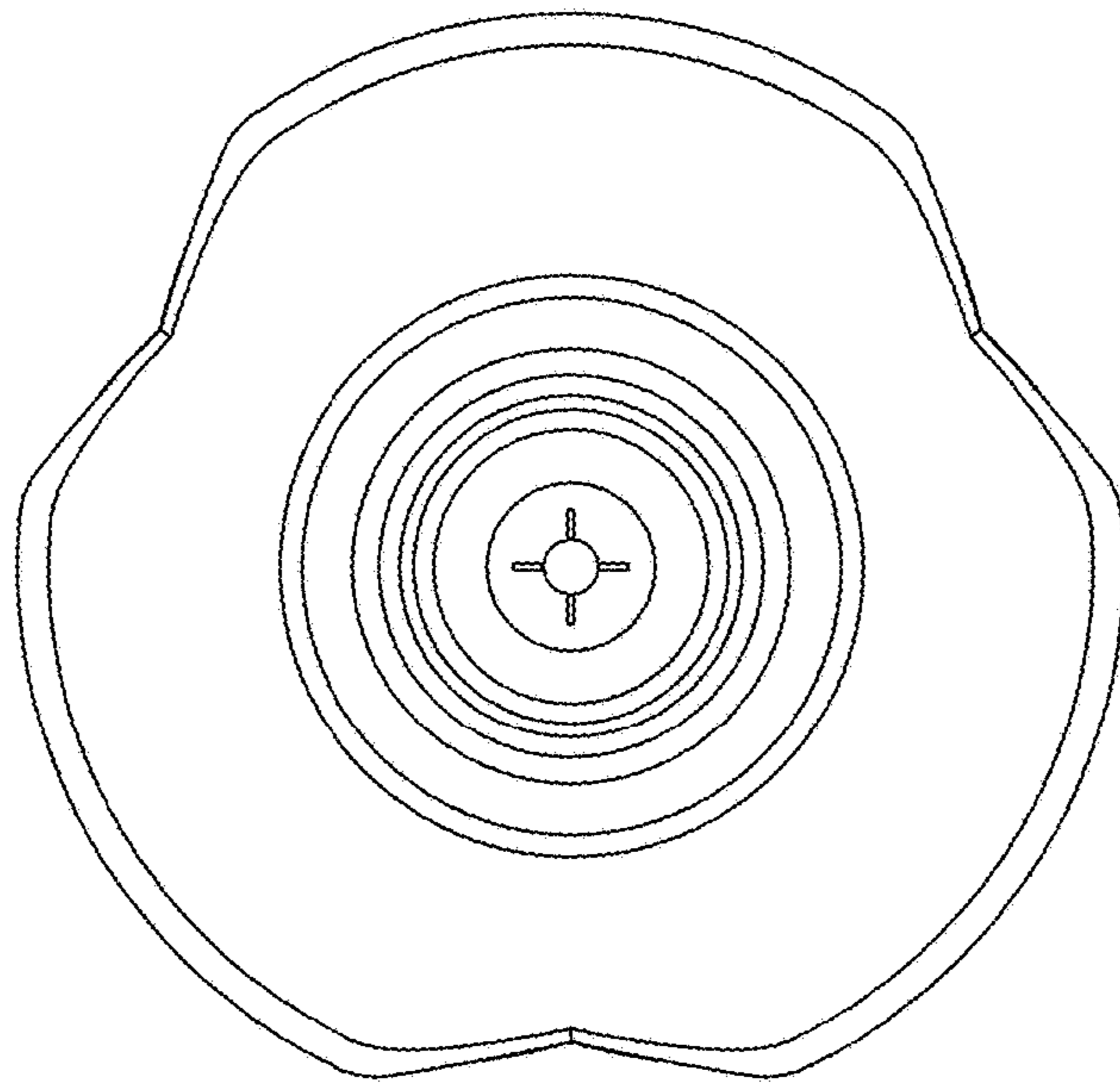


FIG. 6

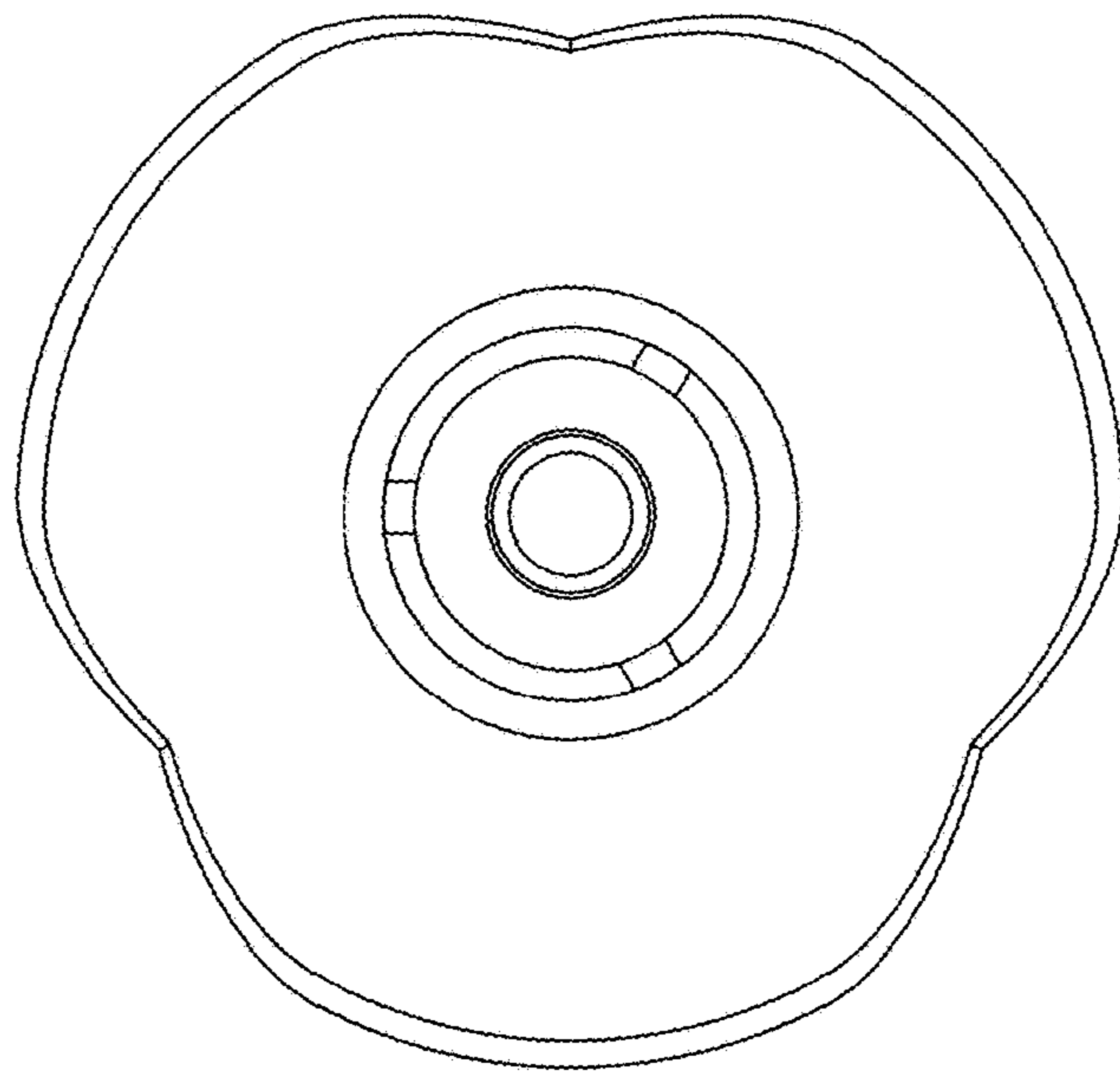


FIG. 7

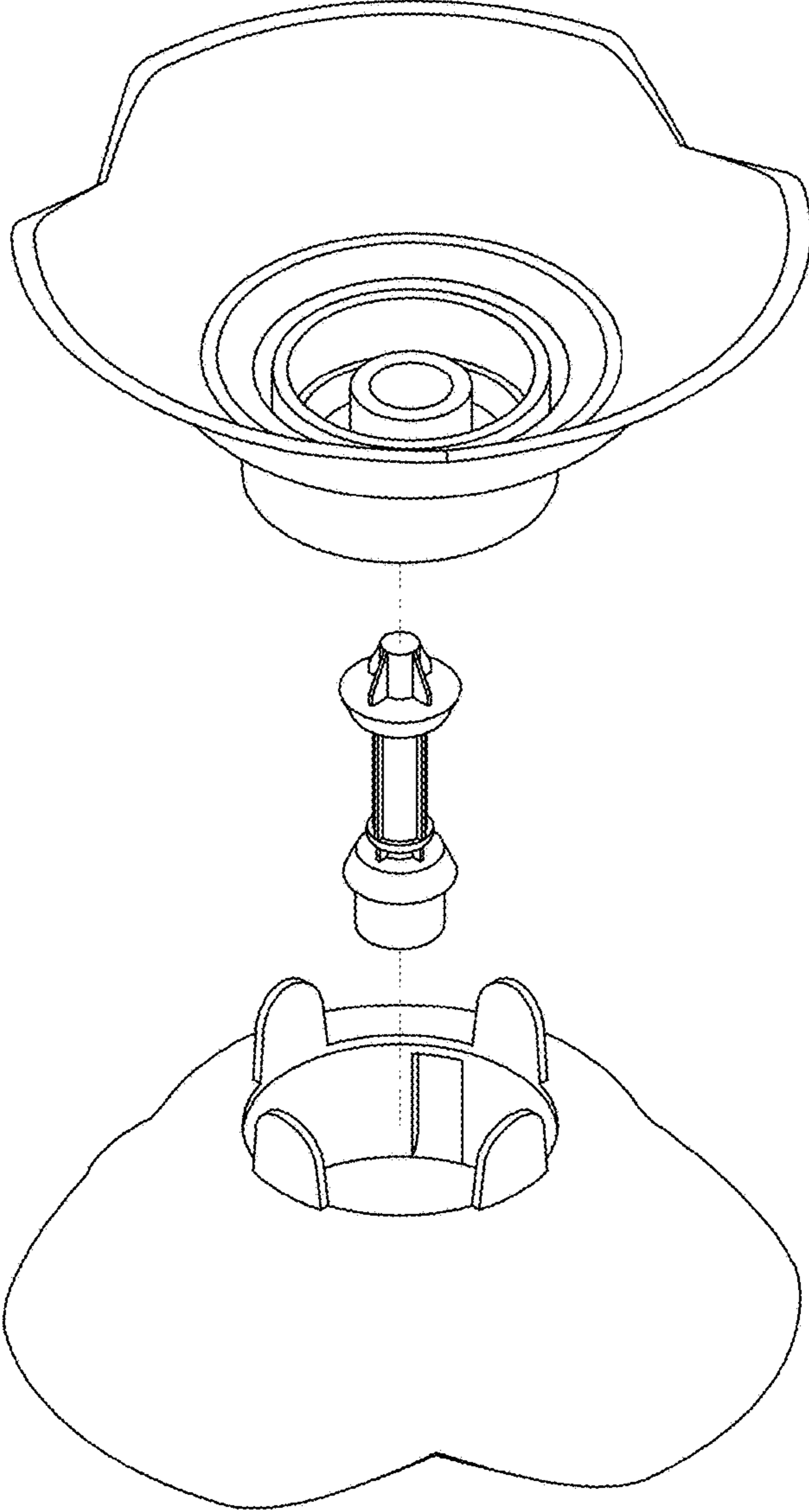


FIG. 8