



US00D872830S

(12) **United States Design Patent**
Kiefer et al.

(10) **Patent No.:** **US D872,830 S**

(45) **Date of Patent:** **** Jan. 14, 2020**

(54) **FLUID DISTRIBUTION EQUIPMENT**

(71) Applicant: **Neoperl GmbH**, Mullheim (DE)

(72) Inventors: **Thomas Kiefer**, Neuenburg (DE);
Michael Steinbrunner, Neuenburg (DE)

(73) Assignee: **Neoperl GmbH**, Müllheim (DE)

(**) Term: **15 Years**

(21) Appl. No.: **29/673,638**

(22) Filed: **Dec. 17, 2018**

Related U.S. Application Data

(62) Division of application No. 35/502,691, filed on Mar. 7, 2017 (U.S. filing date under 35 U.S.C. 384), and having an international filing date of Mar. 7, 2017, now Pat. No. Des. 841,121.

Foreign Application Priority Data

Mar. 7, 2017 (WO) DM/095264

(51) **LOC (12) Cl.** **23-01**

(52) **U.S. Cl.**
USPC **D23/213**

(58) **Field of Classification Search**
USPC D23/213, 229, 233, 235, 247-249
CPC B05B 7/0425; E03C 1/08; E03C 1/084;
E03C 1/086; E03C 2001/026
See application file for complete search history.

(56) **References Cited**

U.S. PATENT DOCUMENTS

D192,906 S	5/1962	Gross	
D322,837 S	12/1991	Woodruff	
D387,417 S *	12/1997	Doughty	D23/243
D525,683 S	7/2006	Schaffeld et al.	
D526,391 S	8/2006	Schaffeld et al.	
D527,080 S	8/2006	Schaffeld et al.	
D537,916 S	3/2007	Buttgen	
D728,738 S	5/2015	Birmelin	
D841,121 S *	2/2019	Kiefer	D23/213
2018/0202134 A1 *	7/2018	Kiefer	E03B 9/20

* cited by examiner

Primary Examiner — Keli L Hill

(74) *Attorney, Agent, or Firm* — Volpe and Koenig, P.C.

(57) **CLAIM**

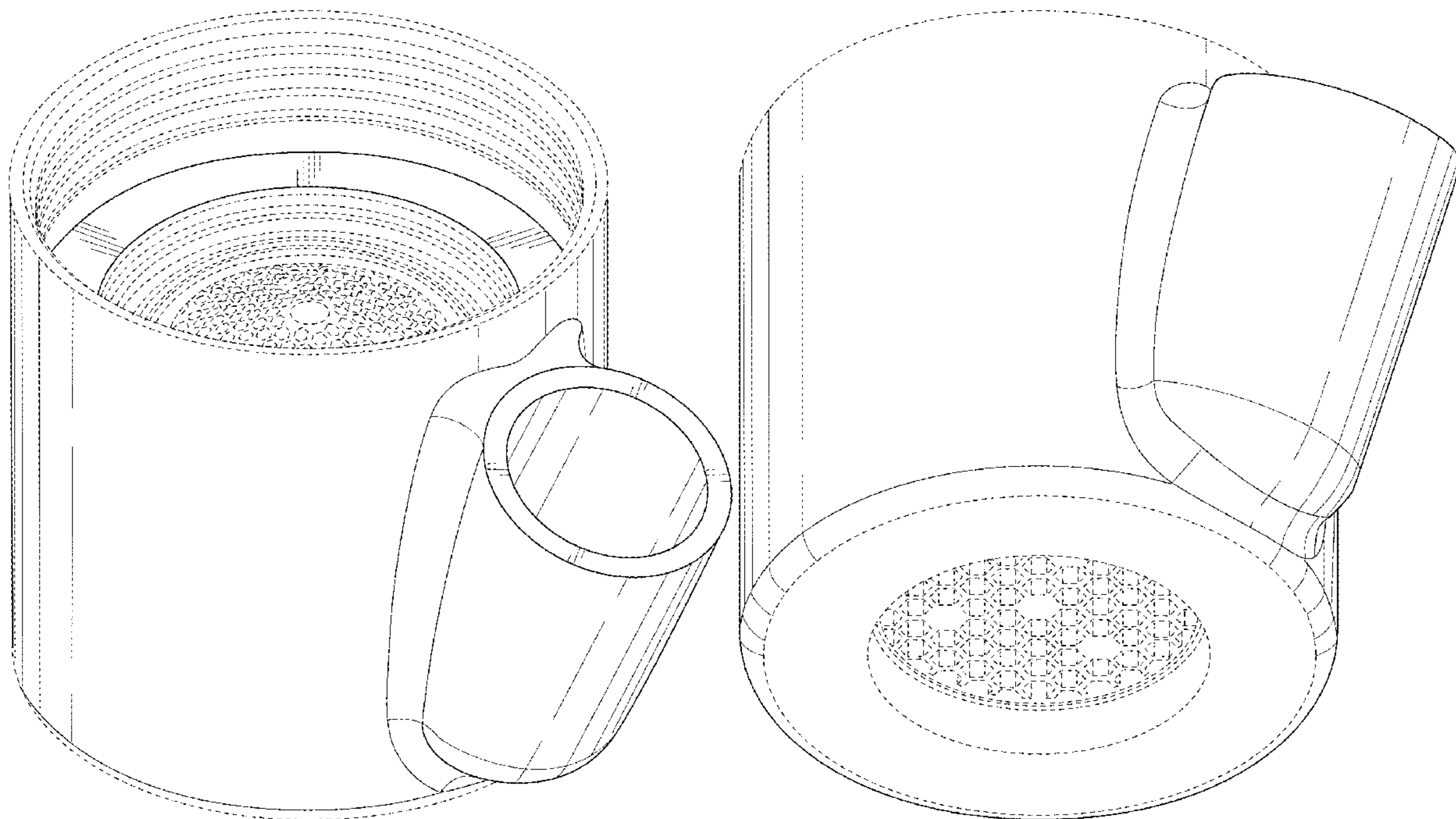
The ornamental design for fluid distribution equipment, as shown and described.

DESCRIPTION

FIG. 1 is a top plan view of a first embodiment of fluid distribution equipment in accordance with my design; FIG. 2 is a top, front, left perspective view thereof; FIG. 3 is a bottom view thereof; FIG. 4 is a bottom, front, left perspective view thereof; FIG. 5 is a right side elevational view thereof; FIG. 6 is a left side elevational view thereof; FIG. 7 is a rear elevational view thereof; and, FIG. 8 is a front elevational view thereof.

The broken lines represent portions of the fluid distribution equipment that form no part of the claimed design.

1 Claim, 8 Drawing Sheets



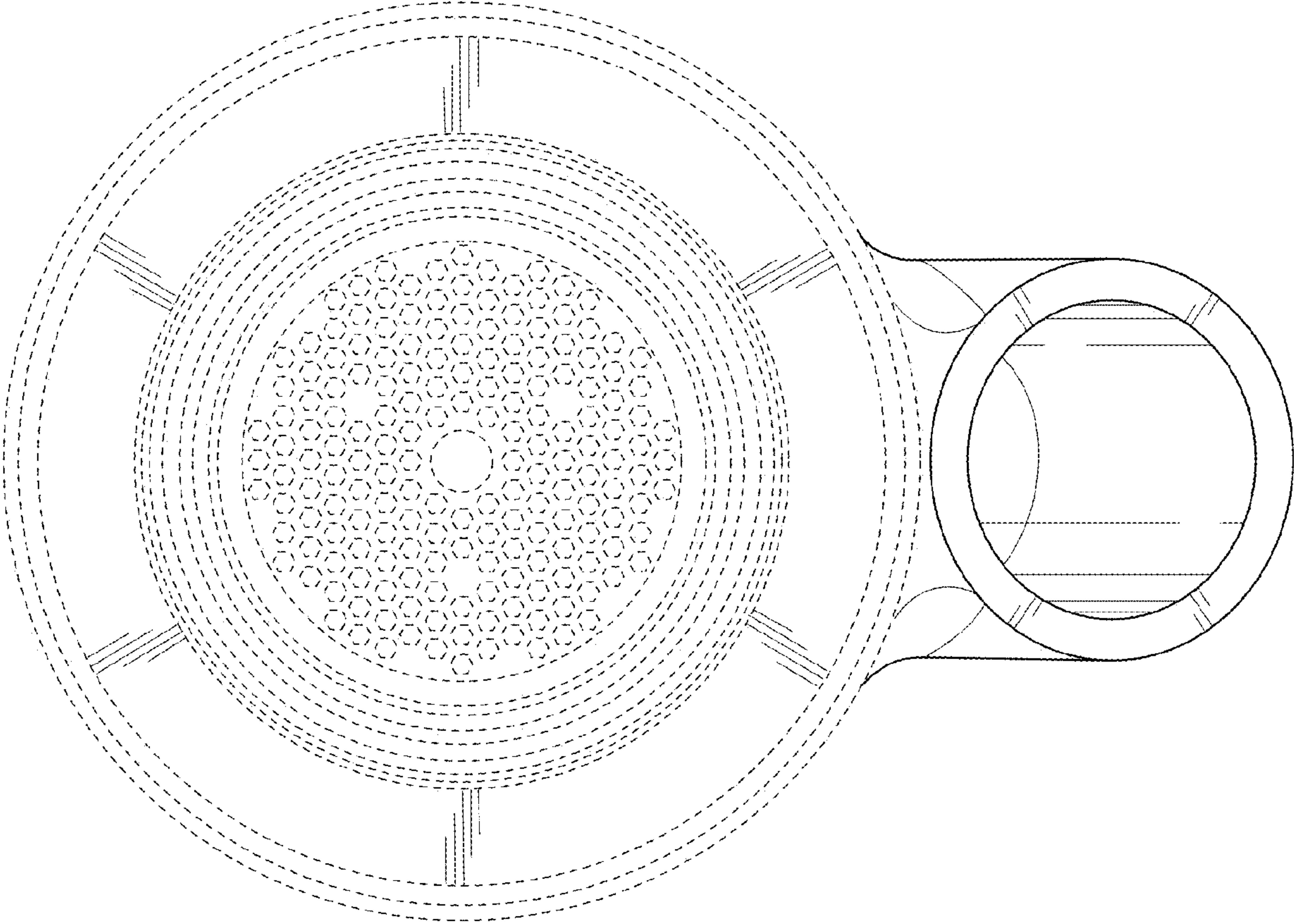


FIG. 1

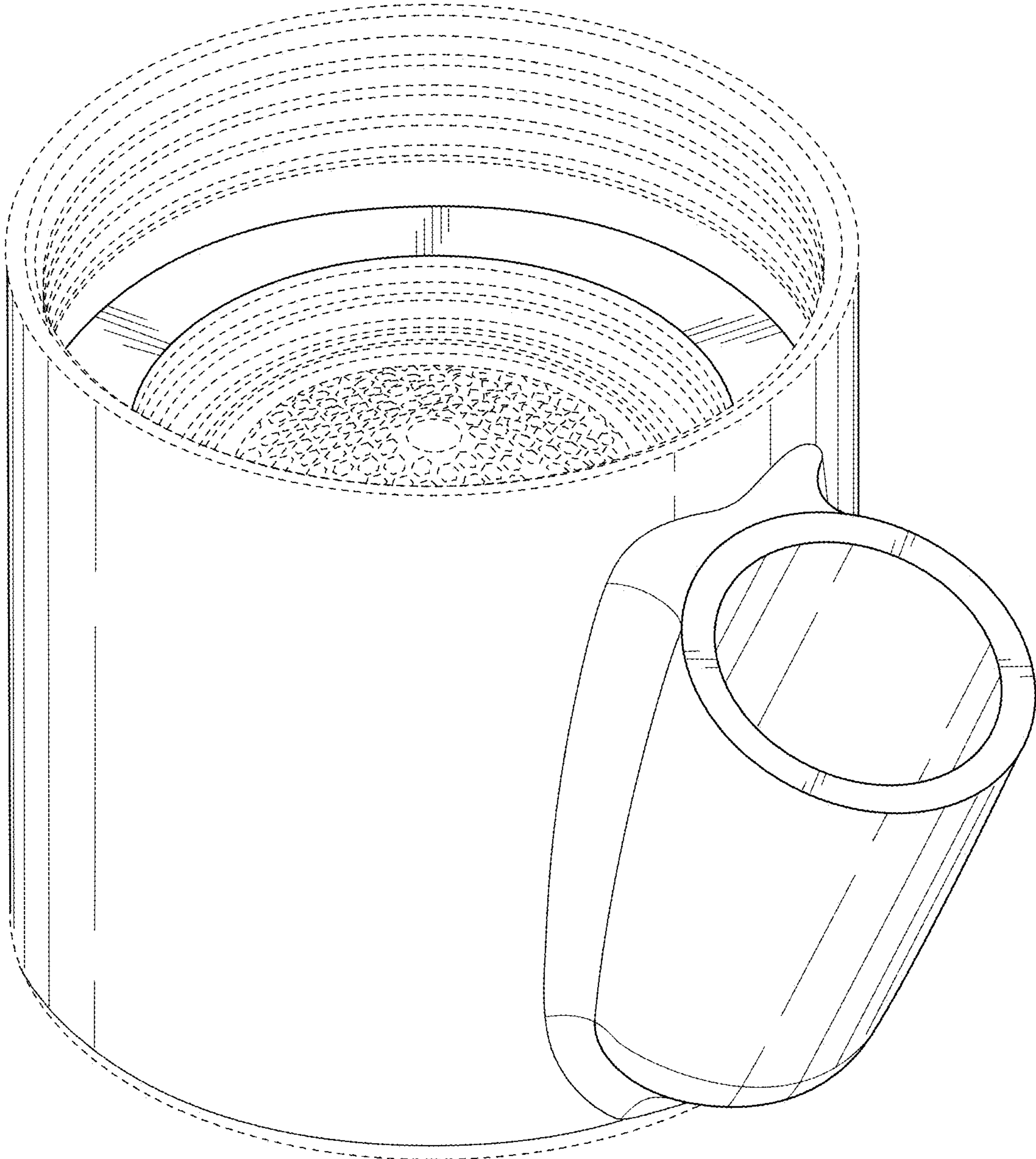


FIG. 2

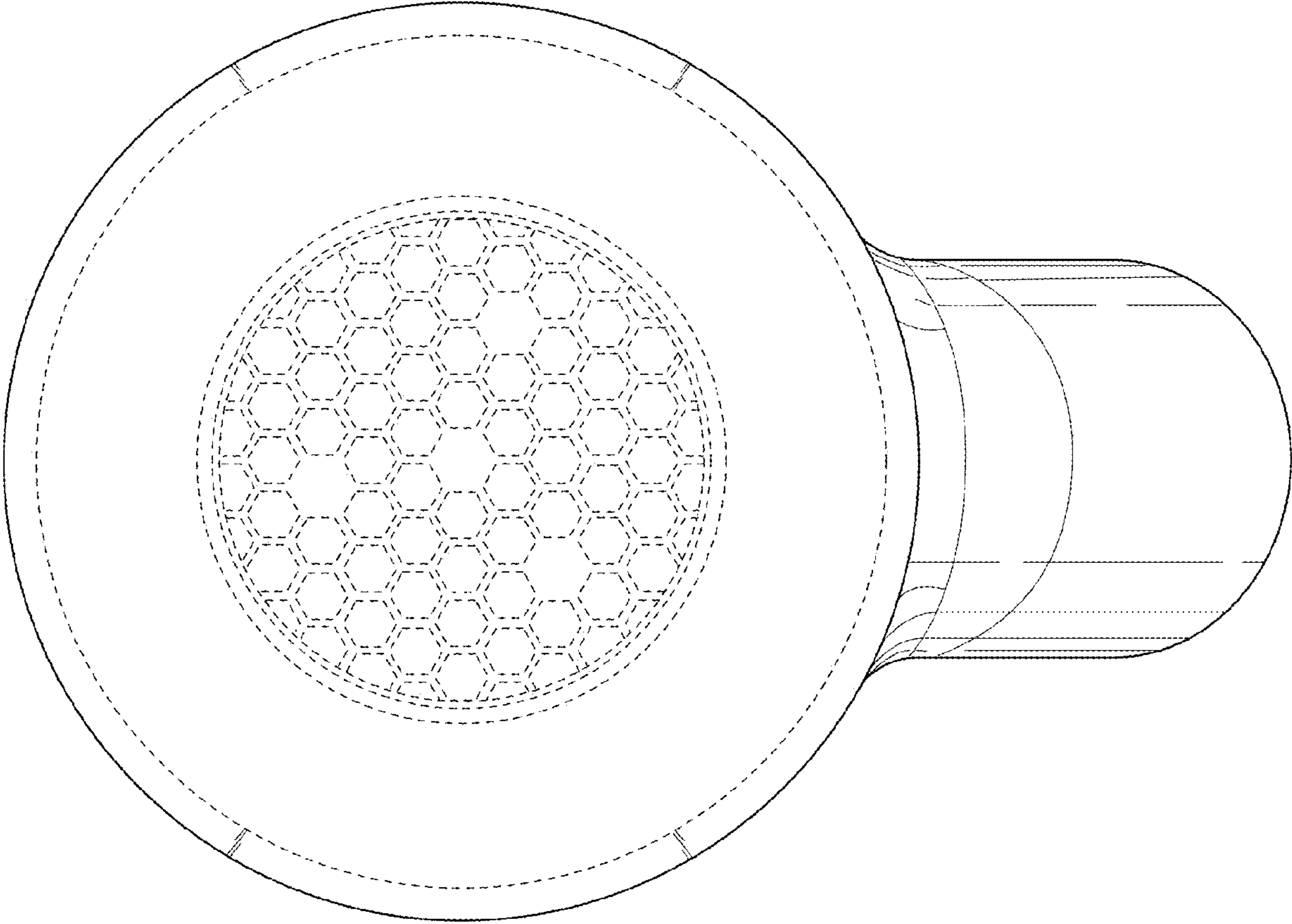


FIG. 3

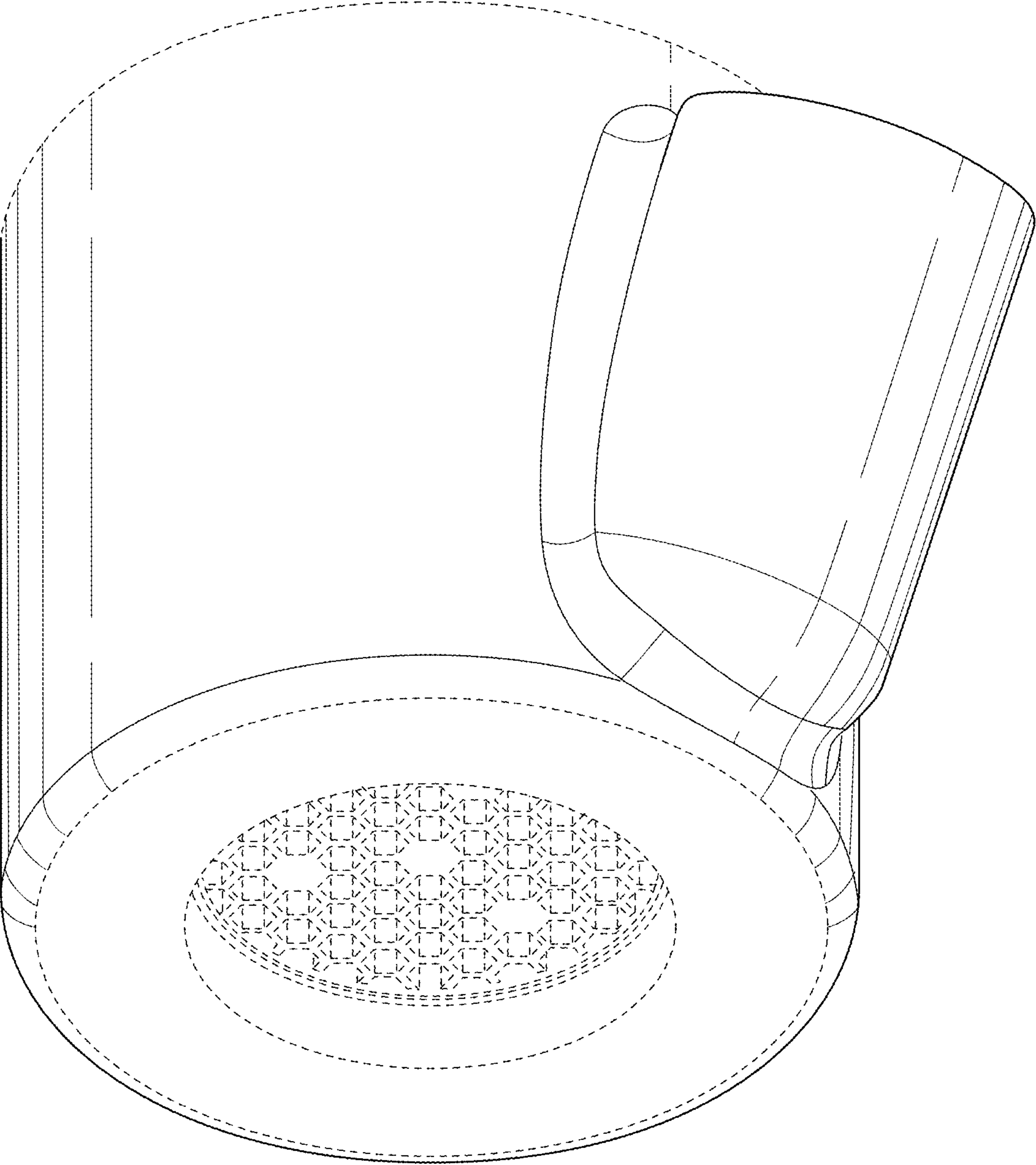


FIG. 4

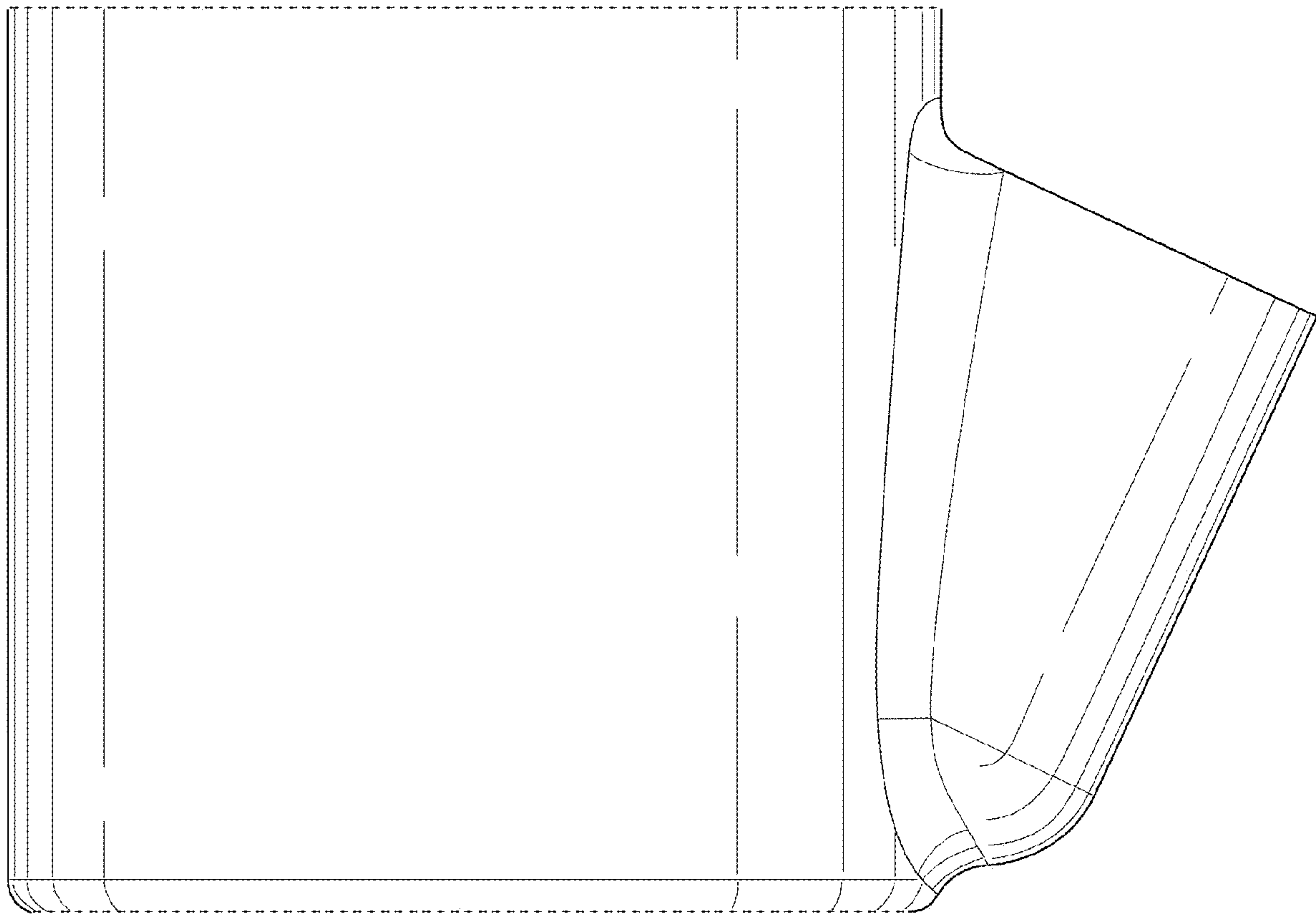


FIG. 5

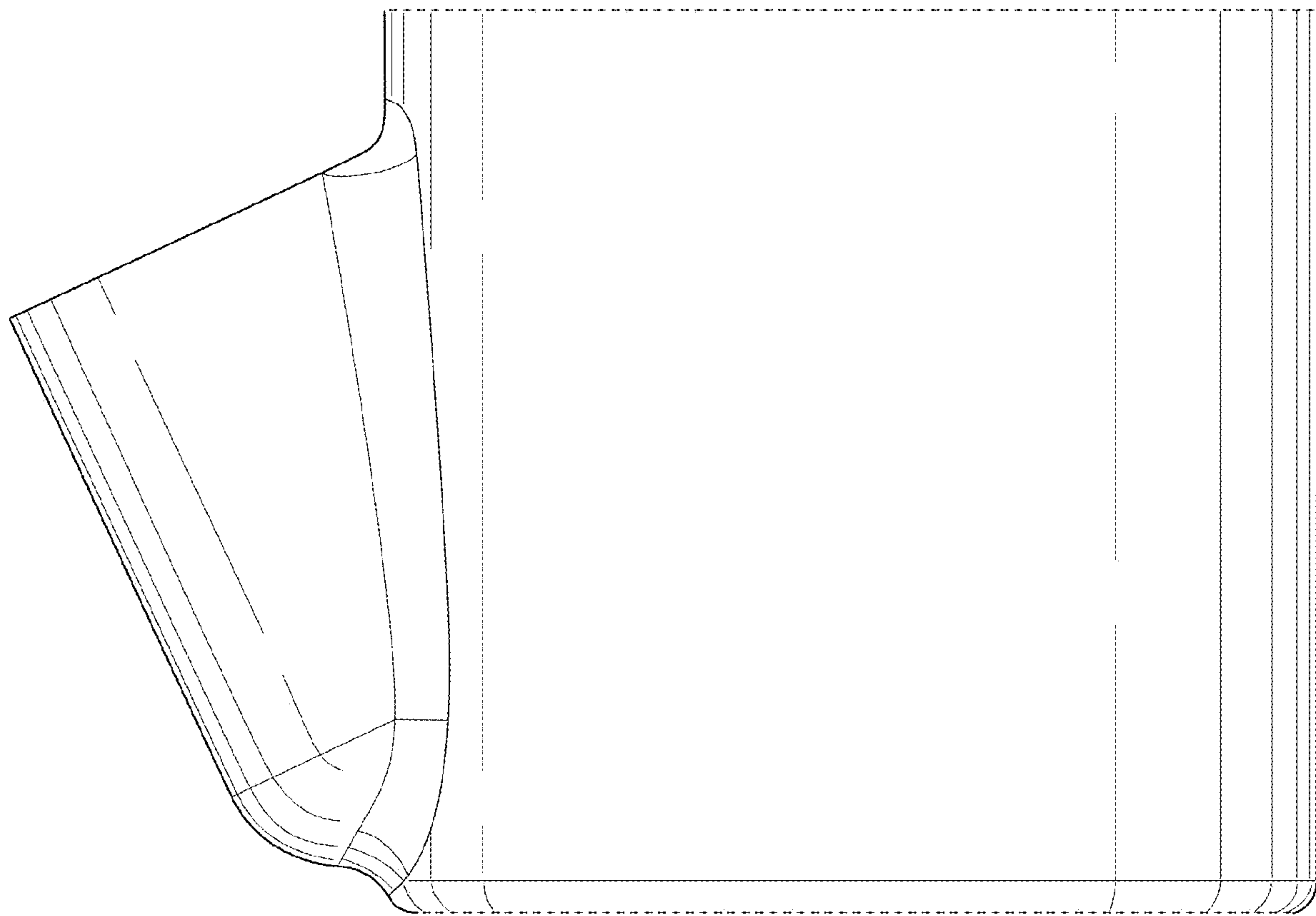


FIG. 6

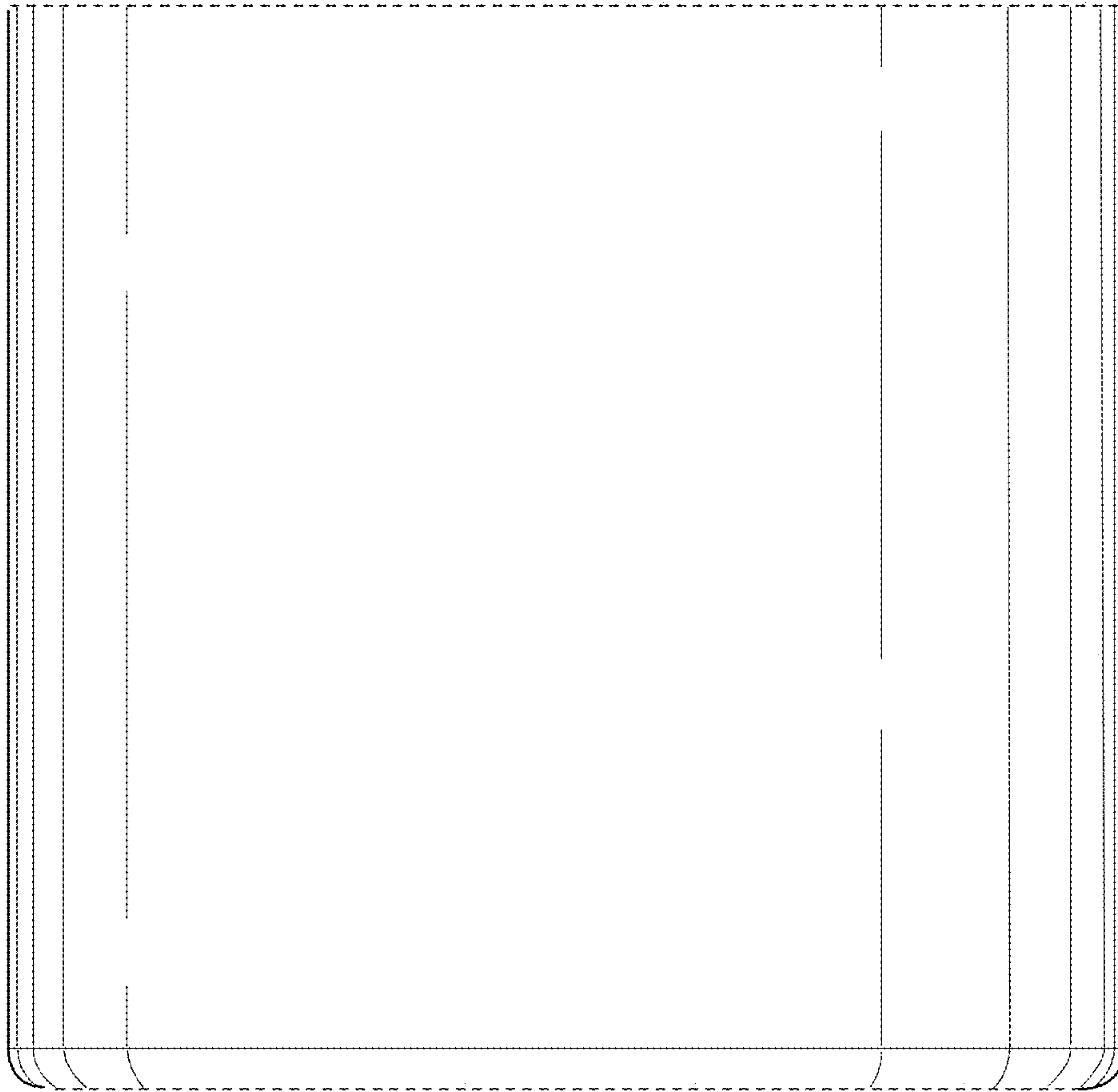


FIG. 7

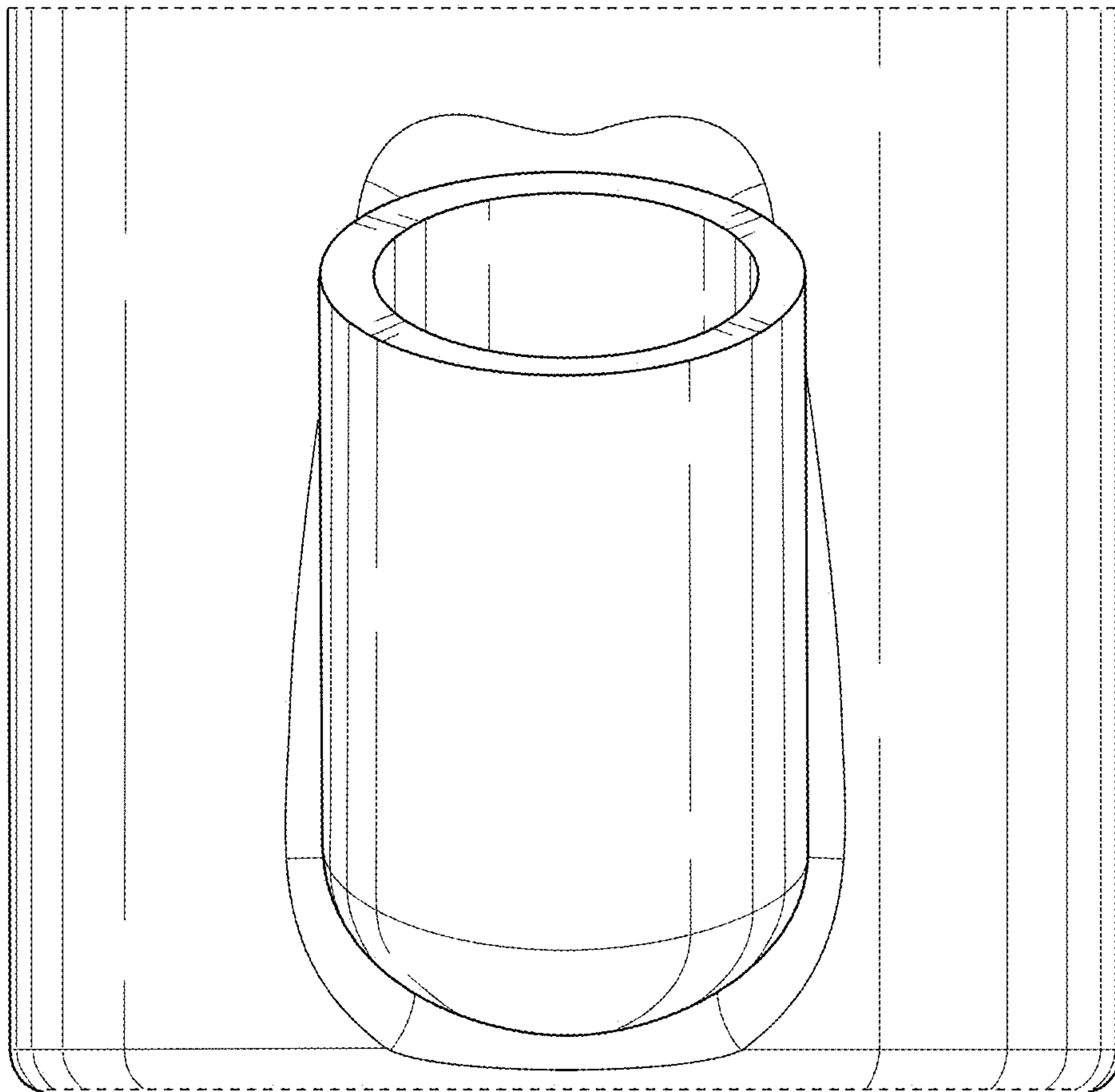


FIG. 8