



US00D872828S

(12) **United States Design Patent** (10) **Patent No.:** **US D872,828 S**
Bloom et al. (45) **Date of Patent:** **** Jan. 14, 2020**

(54) **CARTRIDGE VALVE**

(71) Applicant: **Graco Minnesota Inc.**, Minneapolis, MN (US)

(72) Inventors: **Michael E. Bloom**, Anoka, MN (US); **Joshua R. Holmstadt**, St. Michael, MN (US); **Bradley G. Kahler**, Otsego, MN (US); **Benjamin J. Paar**, Minneapolis, MN (US); **Anthony J. Kuschel**, Coon Rapids, MN (US); **James R. Ebben**, Shoreview, MN (US); **Shane A. Norman**, Oak Grove, MN (US)

(73) Assignee: **Graco Minnesota Inc.**, Minneapolis, MN (US)

(**) Term: **15 Years**

(21) Appl. No.: **29/641,706**

(22) Filed: **Mar. 23, 2018**

(51) **LOC (12) Cl.** **23-01**

(52) **U.S. Cl.**
USPC **D23/213**

(58) **Field of Classification Search**
USPC D23/233, 235, 249, 213, 223; D15/7;
239/373, 394, 460, 589, 459, 602
CPC B29C 45/2806; B29C 45/278; B05B 1/005
See application file for complete search history.

(56) **References Cited**

U.S. PATENT DOCUMENTS

4,385,728 A * 5/1983 Inglis B05B 1/005
239/424
D424,165 S * 5/2000 Guo D23/213
D458,343 S * 6/2002 Chen D23/213
D481,102 S * 10/2003 Marshik D23/213

D504,492 S * 4/2005 Yeager D23/213
D504,713 S * 5/2005 Py D23/213
D753,188 S * 4/2016 Kopel D15/7
2008/0260889 A1 * 10/2008 Jenko B29C 45/278
425/549

* cited by examiner

Primary Examiner — Gino Colan

(74) *Attorney, Agent, or Firm* — Kyle Liudahl

(57) **CLAIM**

The ornamental design for a cartridge valve, as shown and described.

DESCRIPTION

FIG. 1 is a perspective view of a cartridge valve showing our new design;

FIG. 2 is a front view thereof;

FIG. 3 is a rear view thereof;

FIG. 4 is a left side view thereof;

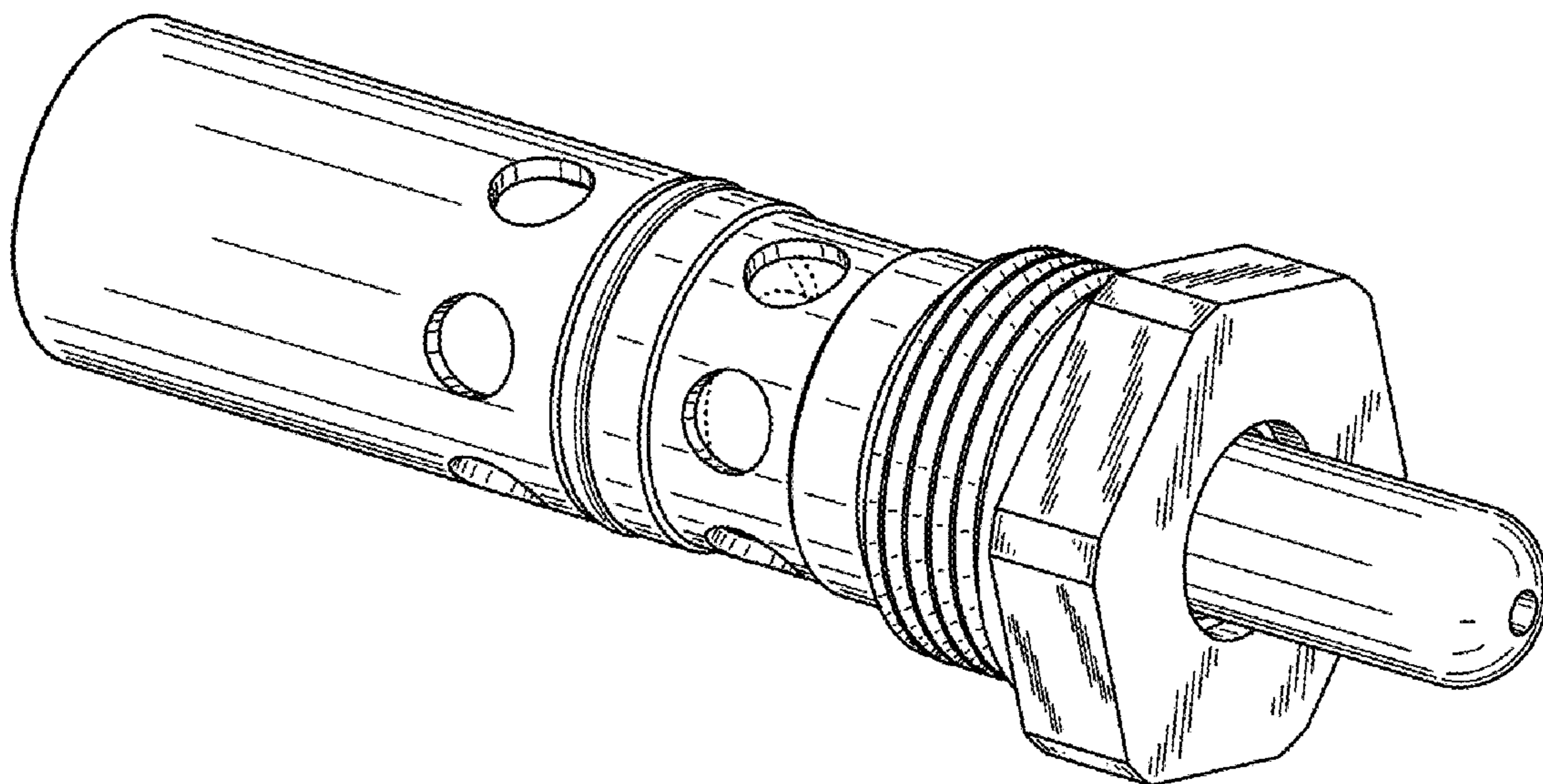
FIG. 5 is a right side view thereof;

FIG. 6 is a top view thereof; and,

FIG. 7 is a bottom view thereof.

Broken lines shown in the figures are included for the purpose of illustrating portions of the cartridge valve and form no part of the claimed design.

1 Claim, 3 Drawing Sheets



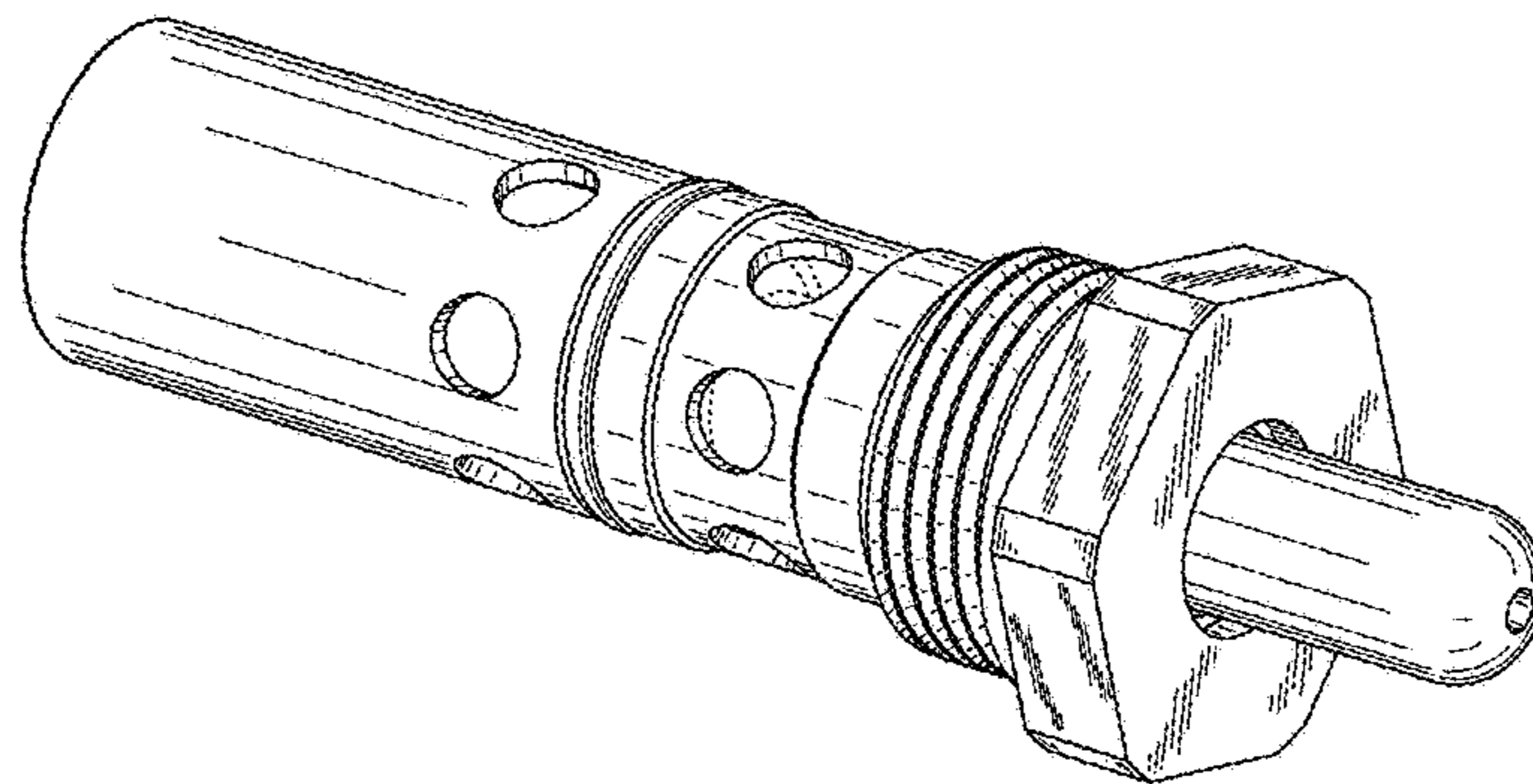


Fig. 1

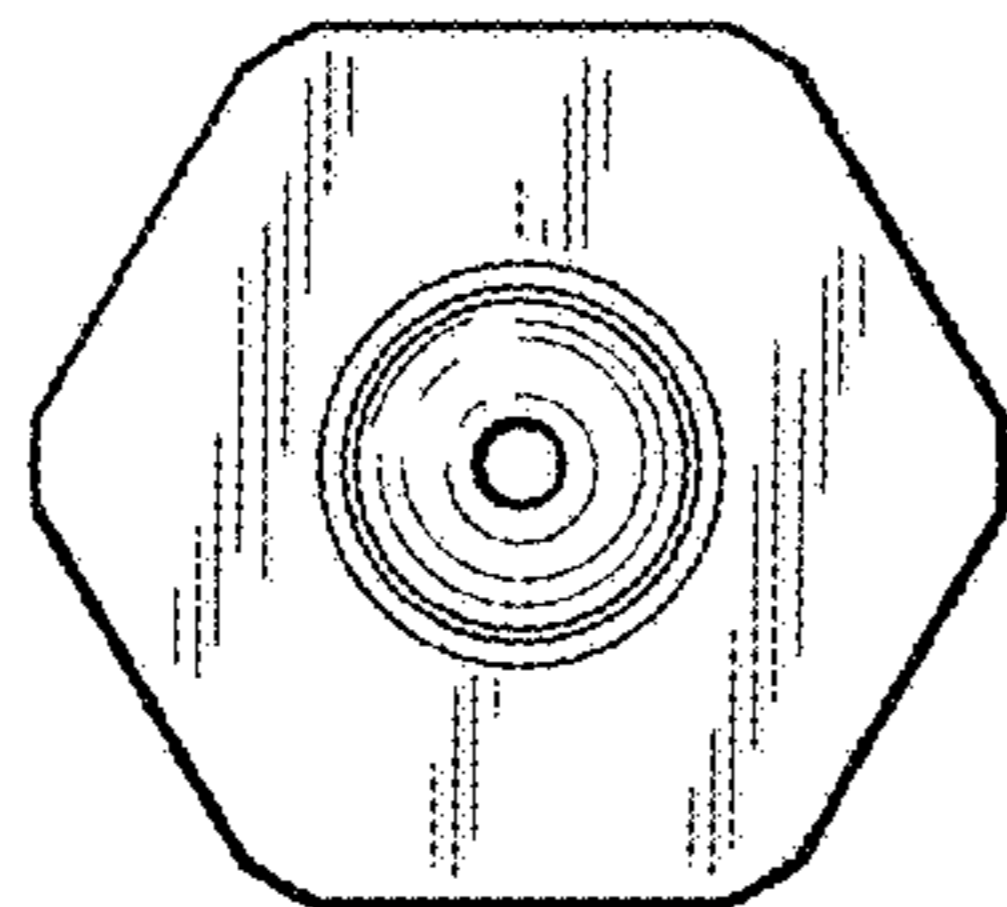


Fig. 2

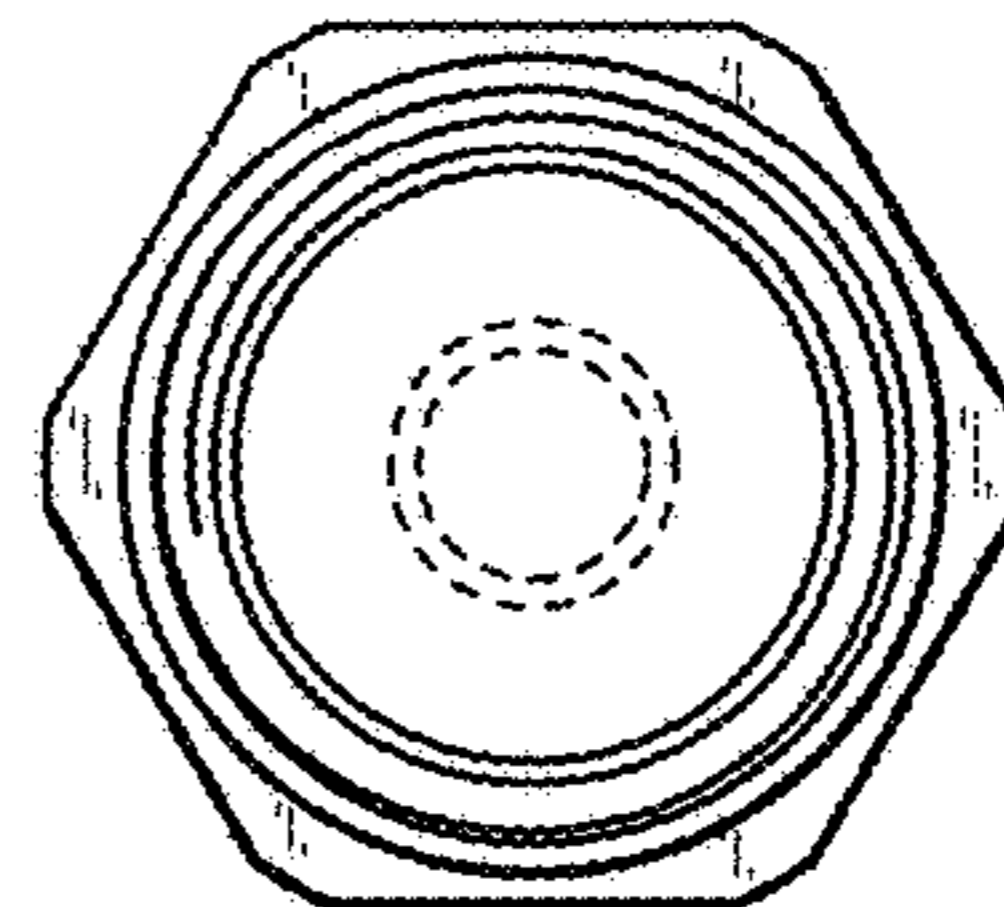


Fig. 3

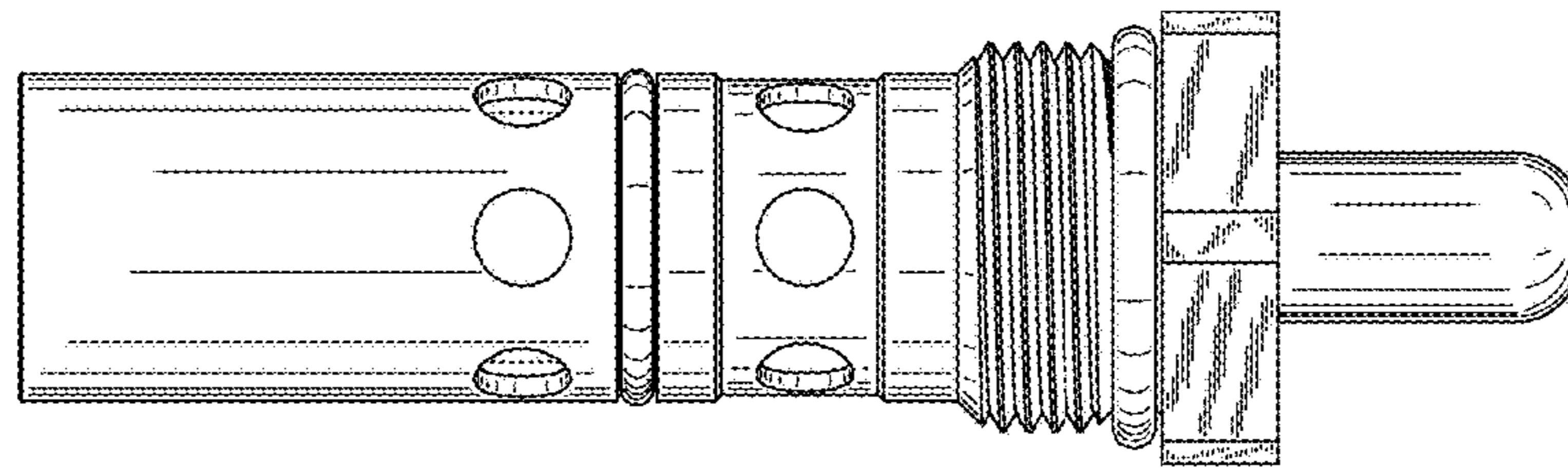


Fig. 4

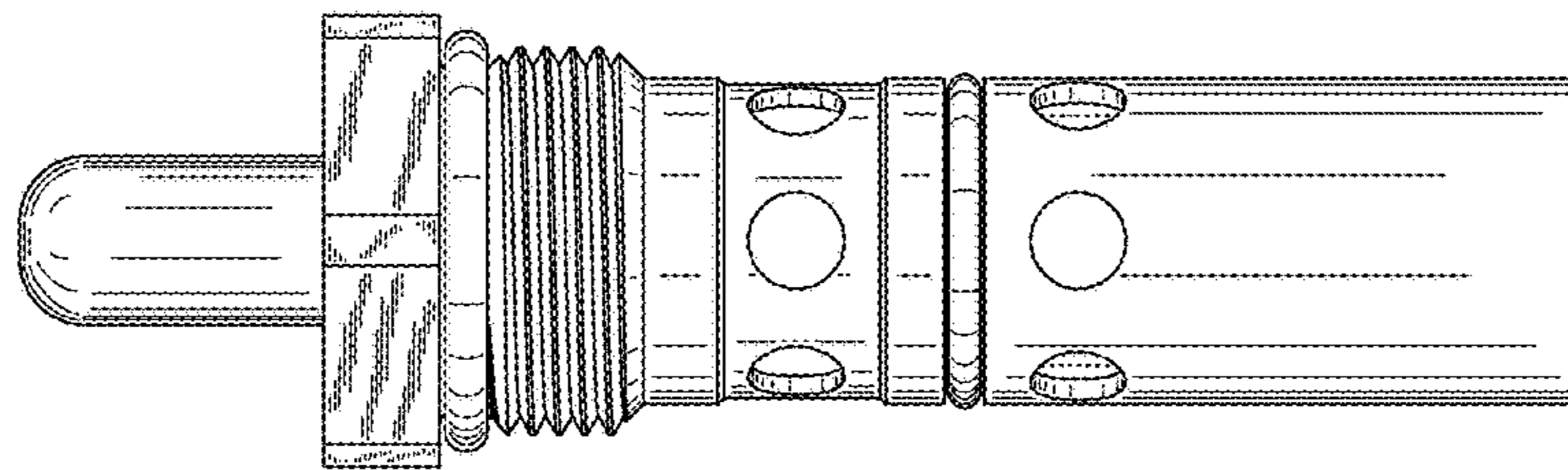


Fig. 5

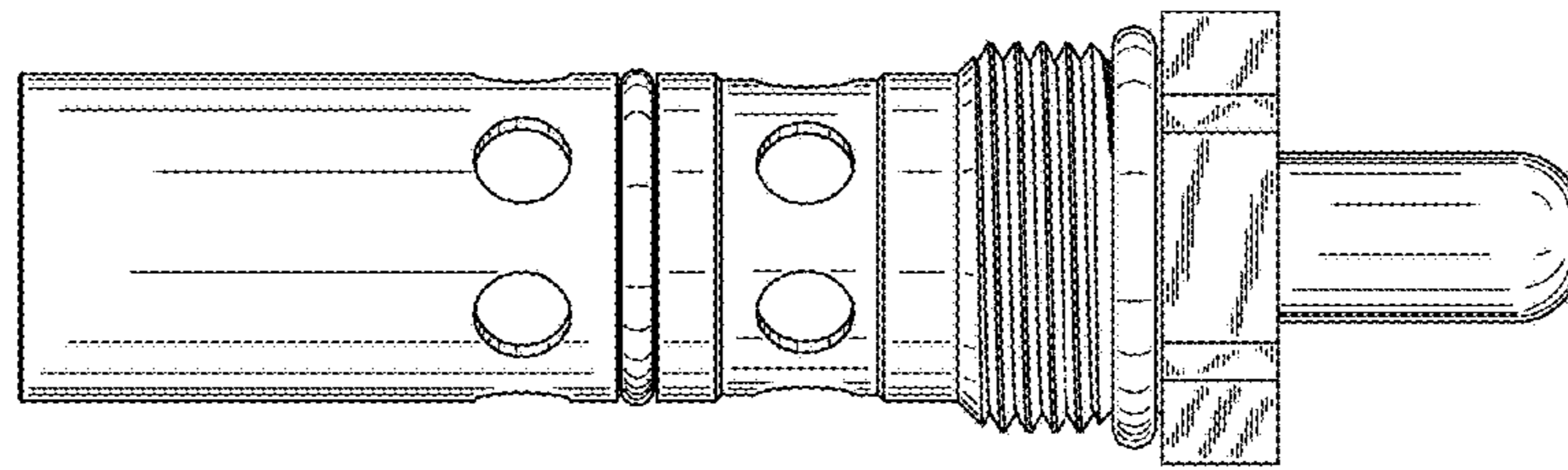


Fig. 6

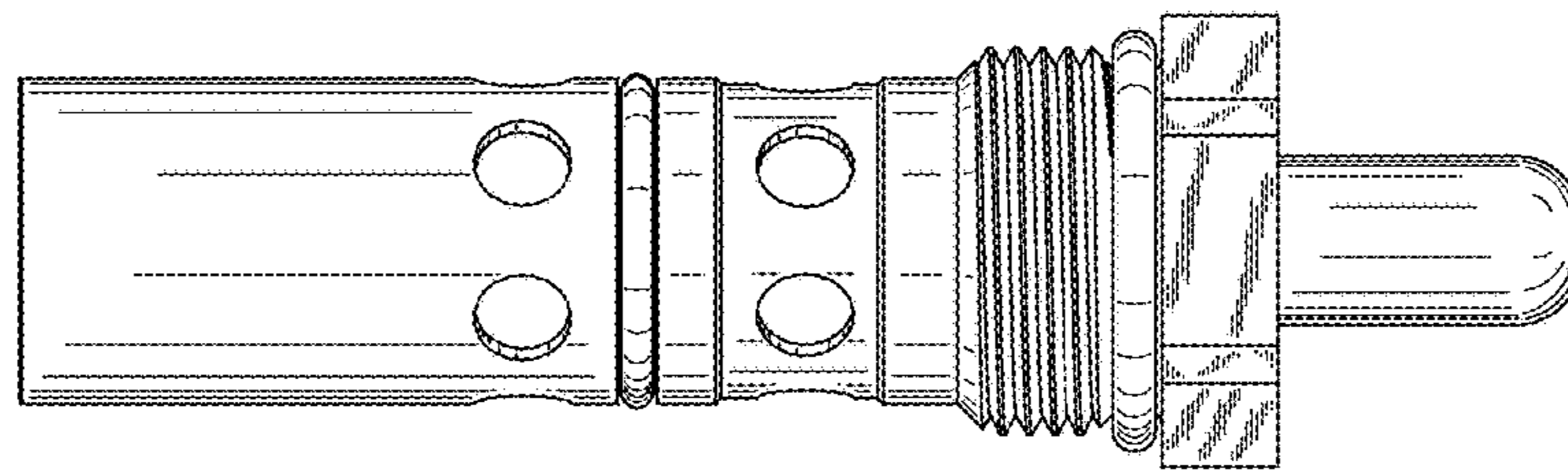


Fig. 7