



US00D872827S

(12) **United States Design Patent**
Leonard

(10) **Patent No.:** **US D872,827 S**

(45) **Date of Patent:** **** Jan. 14, 2020**

(54) **DUCK STRINGER**

(71) Applicant: **Kenneth Shane Leonard**, Braggs, OK
(US)

(72) Inventor: **Kenneth Shane Leonard**, Braggs, OK
(US)

(**) Term: **15 Years**

(21) Appl. No.: **29/667,234**

(22) Filed: **Oct. 19, 2018**

(51) **LOC (12) Cl.** **22-99**

(52) **U.S. Cl.**
USPC **D22/199**

(58) **Field of Classification Search**
USPC D22/199, 134; 294/151, 154; 224/103,
224/248, 250, 921; D3/215, 259
CPC A01K 65/00; Y10S 224/921; A01M 31/00;
A01M 31/006
See application file for complete search history.

(56) **References Cited**

U.S. PATENT DOCUMENTS

362,879	A *	5/1887	Cunningham	A01K 65/00
					224/103
2,407,172	A *	9/1946	McMillan	A01M 31/006
					294/151
3,096,010	A *	7/1963	Rasmussen	A01M 31/00
					224/250
3,124,285	A *	3/1964	Castellanos	A01M 31/006
					224/248

D278,456	S *	4/1985	Lewis	224/103
D300,346	S	3/1989	Dale		
D345,780	S *	4/1994	Ream	D22/199
D347,117	S *	5/1994	Crichton	224/103
D486,879	S *	2/2004	Powell	D22/199
D495,140	S *	8/2004	Reynolds	D3/215
9,277,744	B1	3/2016	Sanders		
2016/0050906	A1	2/2016	Owen		

OTHER PUBLICATIONS

Field & Stream. com, Mossy Oak Deluxe Game Strap (Year: 2019).*

Tanglefree.com, Leather Duck Strap (Year: 2019).*

* cited by examiner

Primary Examiner — Catherine R Oliver-Garcia

(74) *Attorney, Agent, or Firm* — Dale J. Ream

(57) **CLAIM**

The ornamental design for a duck stringer, as shown and described.

DESCRIPTION

FIG. 1 is a perspective view of a duck stringer showing my new design;

FIG. 2 is a top plan view thereof;

FIG. 3 is a bottom plan view thereof;

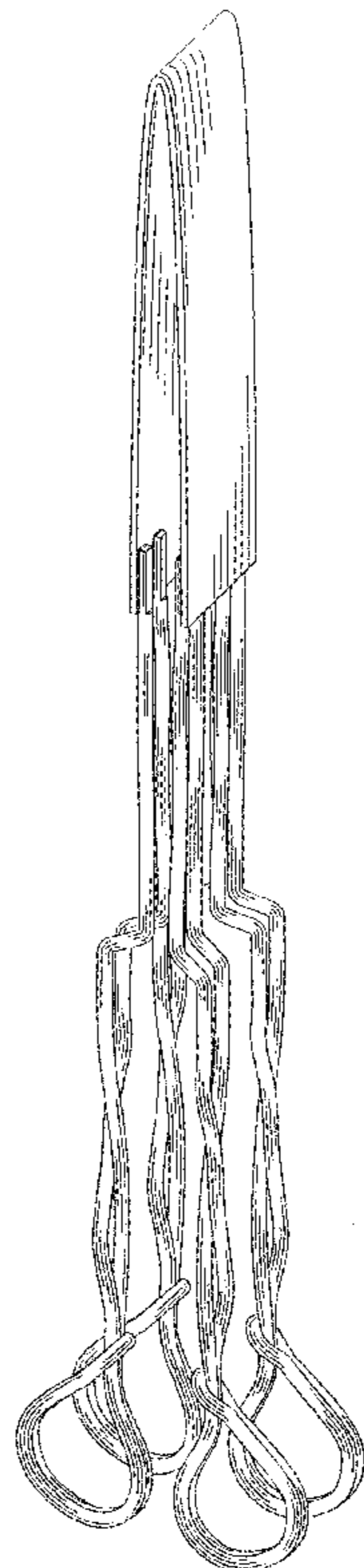
FIG. 4 is a front elevation view thereof;

FIG. 5 is a rear elevation view thereof;

FIG. 6 is a left side view thereof; and,

FIG. 7 is a right side view thereof.

1 Claim, 4 Drawing Sheets



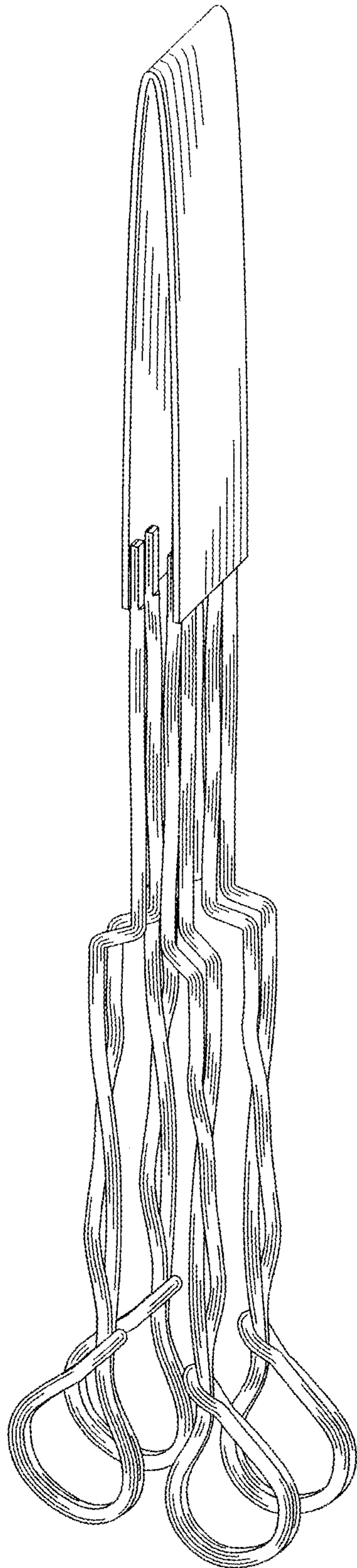


Fig. 1

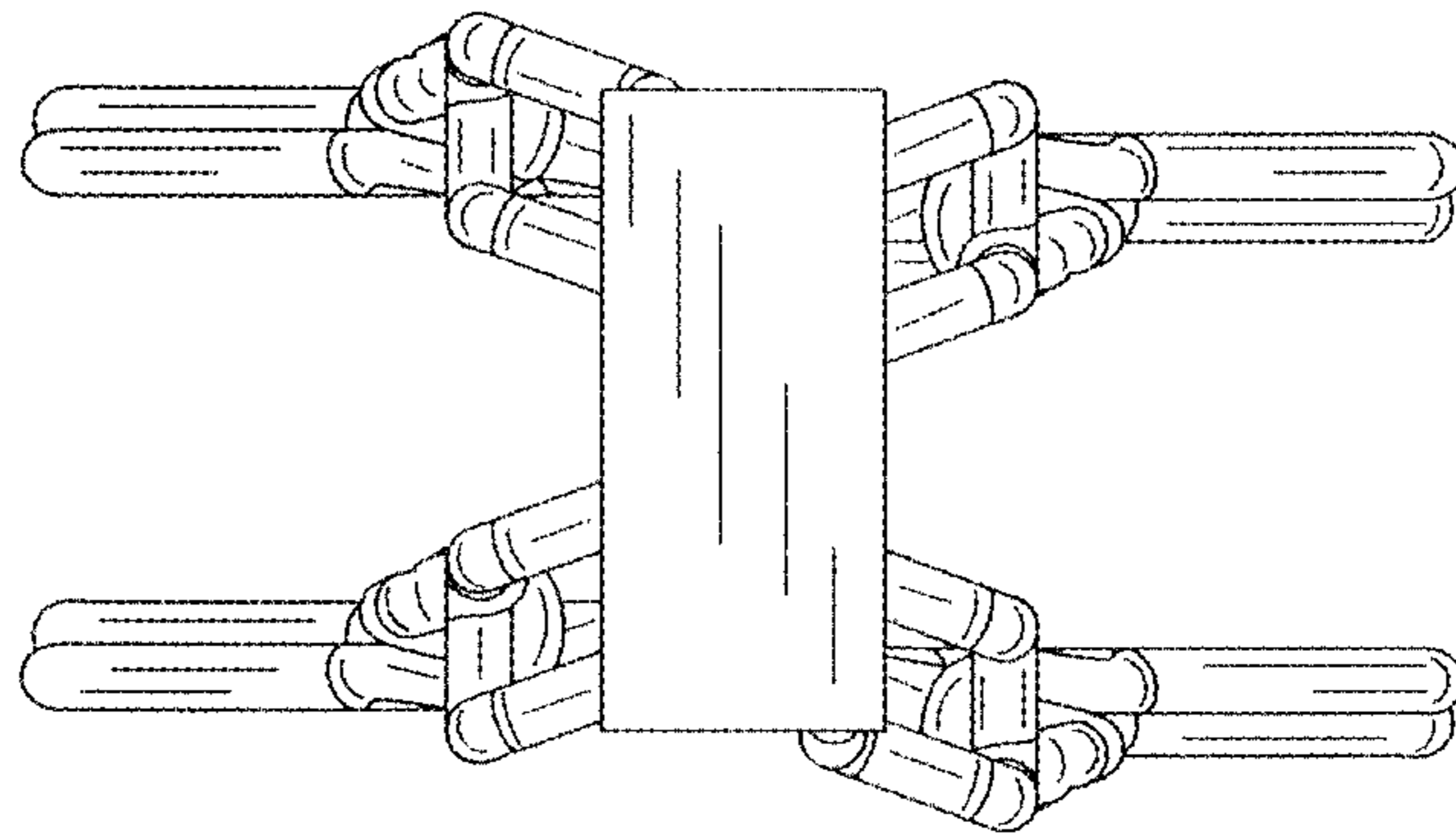


Fig. 2

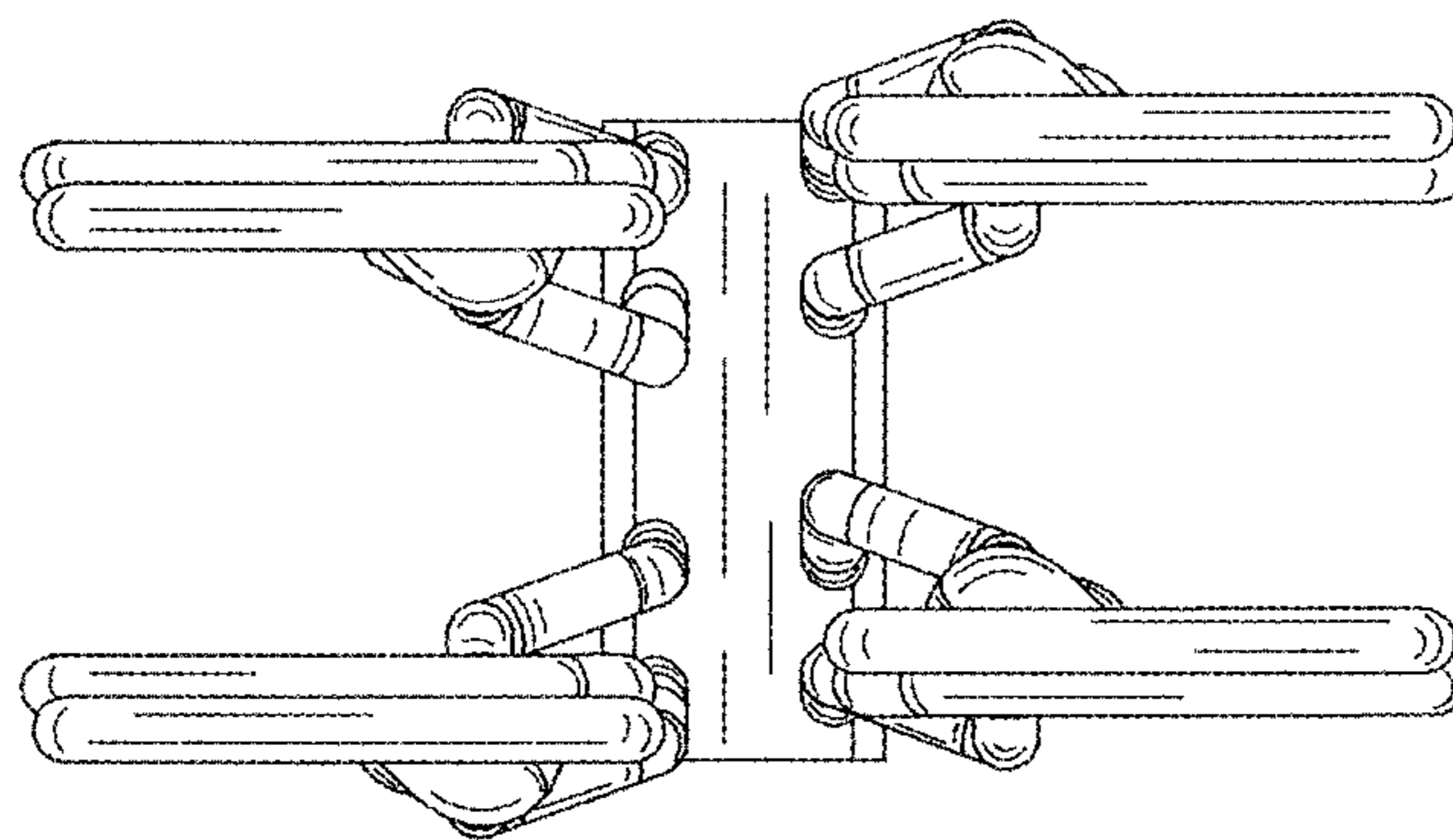


Fig. 3

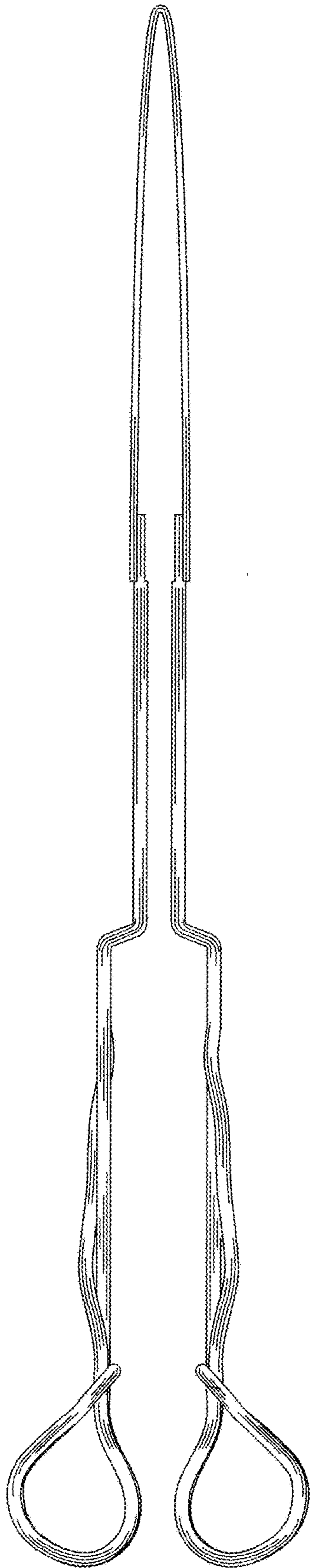


Fig. 4

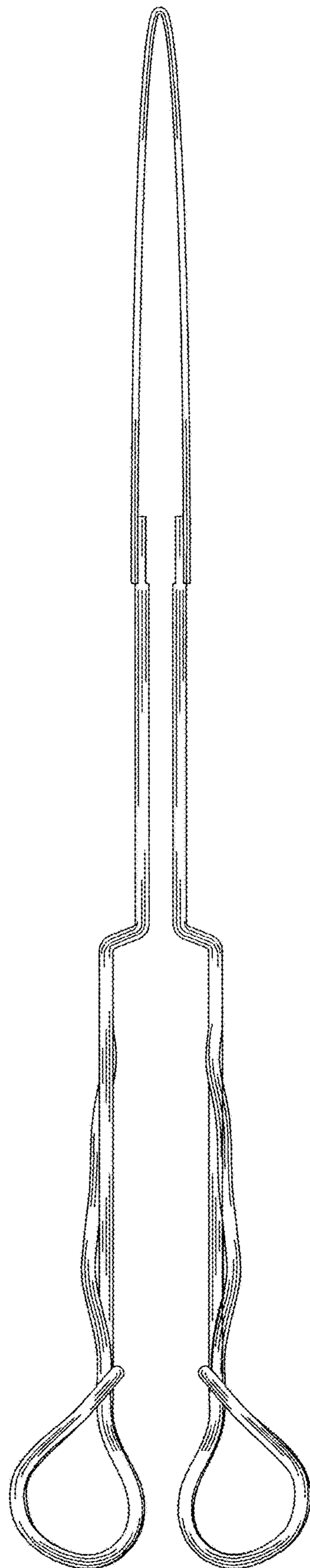


Fig. 5

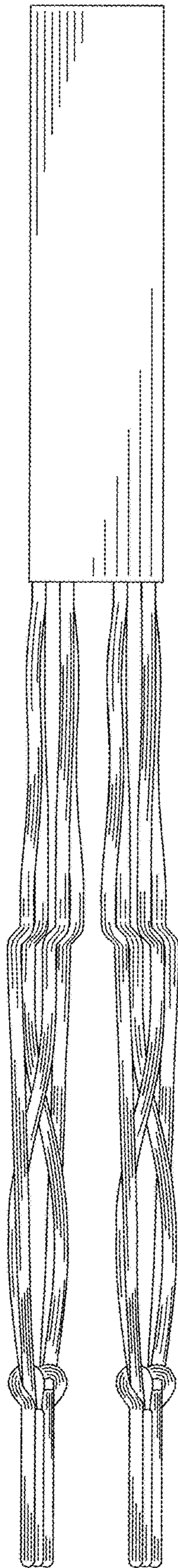


Fig. 6

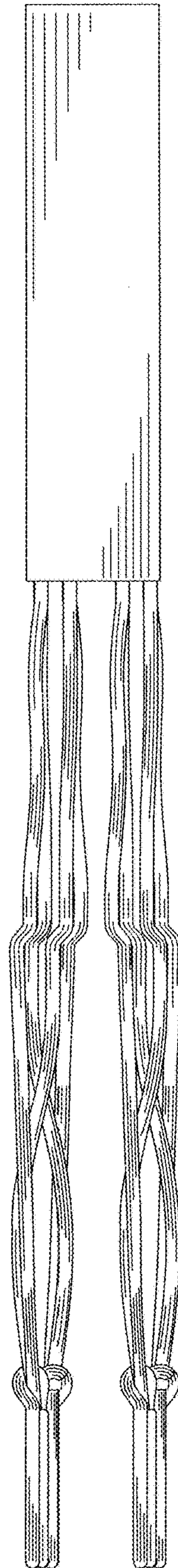


Fig. 7