



US00D872824S

(12) **United States Design Patent**
Waters

(10) **Patent No.:** **US D872,824 S**
(45) **Date of Patent:** **** Jan. 14, 2020**

(54) **FISHING TOOL WITH INTEGRATED SCALE**

2006/0059765 A1* 3/2006 Smith A01K 87/007
43/25

(71) Applicant: **Jeffery Waters**, Philadelphia, PA (US)

2008/0083152 A1 4/2008 Wang
2009/0084020 A1 4/2009 Sorey

(72) Inventor: **Jeffery Waters**, Philadelphia, PA (US)

* cited by examiner

(**) Term: **15 Years**

Primary Examiner — Catherine R Oliver-Garcia

(21) Appl. No.: **29/662,499**

(74) *Attorney, Agent, or Firm* — Global Intellectual Property Agency, LLC; Daniel Boudwin

(22) Filed: **Sep. 6, 2018**

(57) **CLAIM**

(51) **LOC (12) Cl.** **22-05**

The ornamental design for a fishing tool with integrated scale, as shown and described.

(52) **U.S. Cl.**

DESCRIPTION

USPC **D22/139**

(58) **Field of Classification Search**

USPC D22/137–139, 142; 43/5, 21.2, 23, 25,
43/18.1 R, 19; 177/131–132, 225, 245

CPC A01K 97/00; A01K 97/14; G01G 3/00;
G01G 3/02; G01G 13/00

See application file for complete search history.

FIG. 1 shows a perspective view of a fishing tool with integrated scale;

FIG. 2 shows a left side view of the fishing tool with integrated scale;

FIG. 3 shows a right side view of the fishing tool with integrated scale;

FIG. 4 shows a rear view of the fishing tool with integrated scale;

FIG. 5 shows a front view of the fishing tool with integrated scale;

FIG. 6 shows a top plan view of the fishing tool with integrated scale; and,

FIG. 7 shows a bottom plan view of the fishing tool with integrated scale.

The shade lines in the Figures show contour and not surface ornamentation.

The broken lines shown in the Figures show portions of the fishing tool with integrated scale which form no part of the claimed design.

(56) **References Cited**

U.S. PATENT DOCUMENTS

735,003 A * 7/1903 Ward G01G 19/002
D22/139

852,552 A 3/1910 Weldon
1,750,193 A * 3/1930 Reynolds G01G 3/02
D22/139

D158,732 S * 5/1950 Dreisbach D22/139

2,750,184 A 6/1956 Warndahl

2,770,907 A 11/1956 Sharer

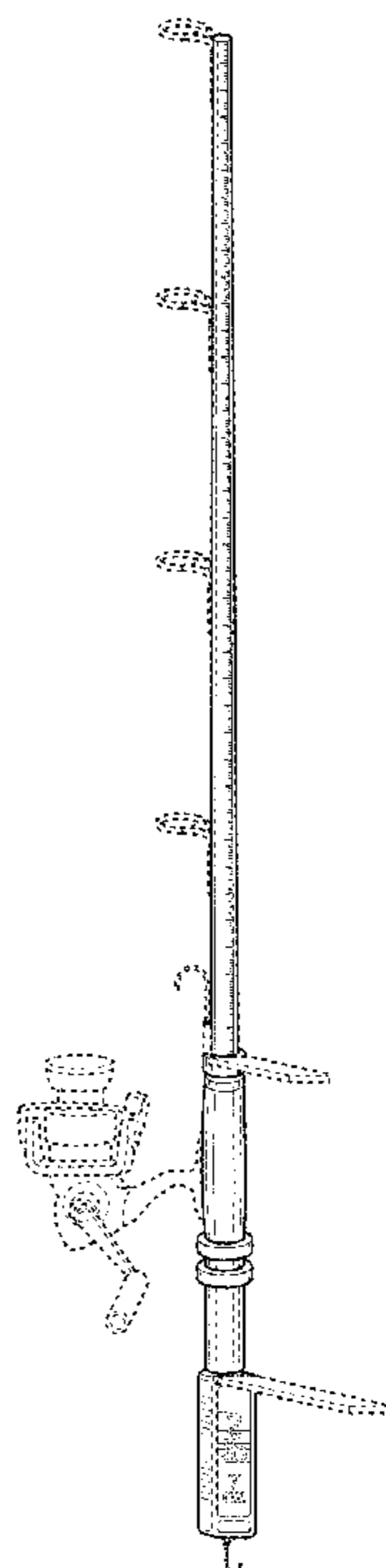
D241,639 S * 9/1976 Francis D22/139

4,721,174 A * 1/1988 Letzo G01G 19/60
43/25

1,995,188 A 2/1991 Ewing

D559,347 S * 1/2008 Bell D22/139

1 Claim, 4 Drawing Sheets



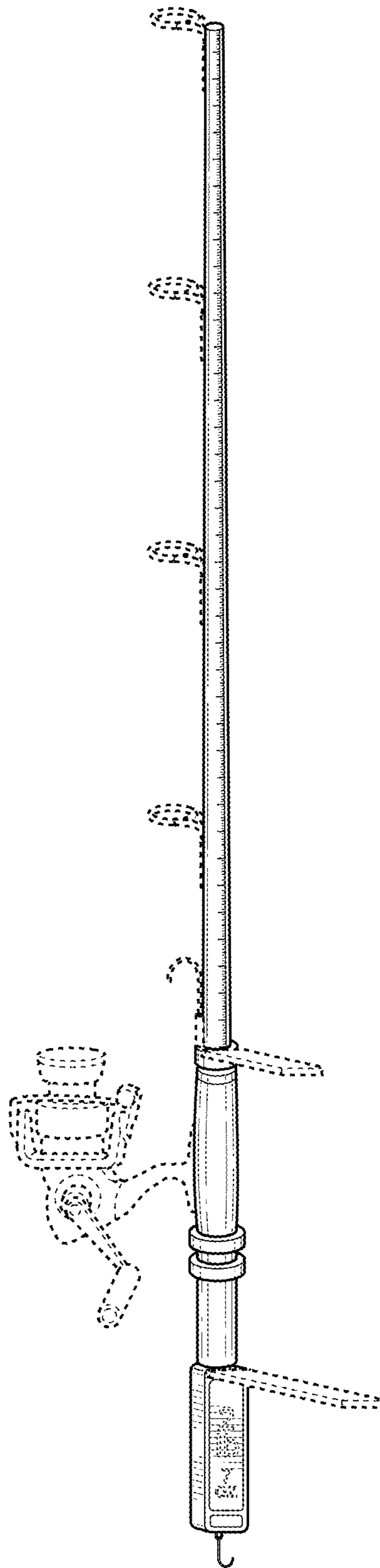


FIG. 1

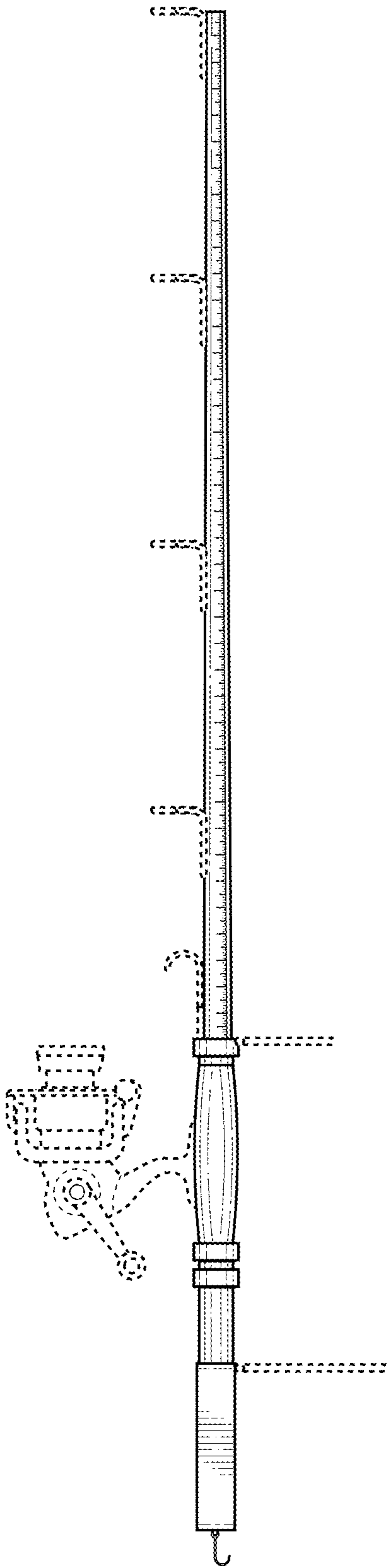


FIG. 2

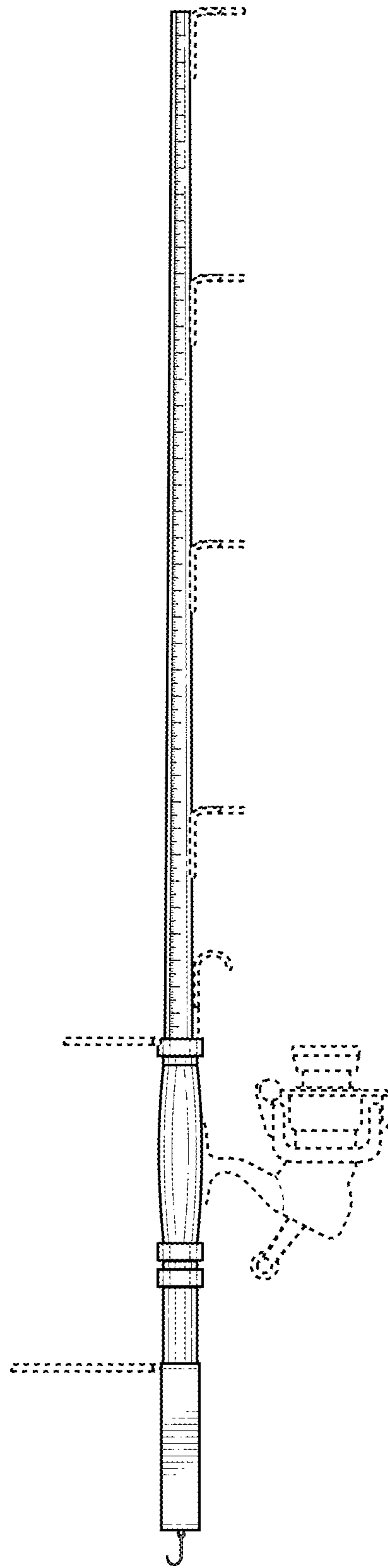


FIG. 3

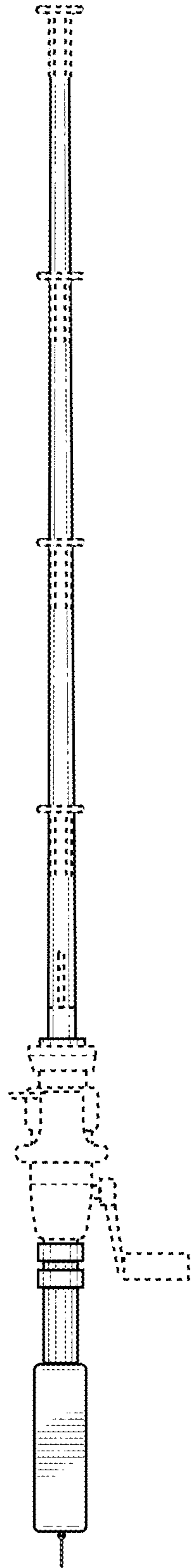


FIG. 4

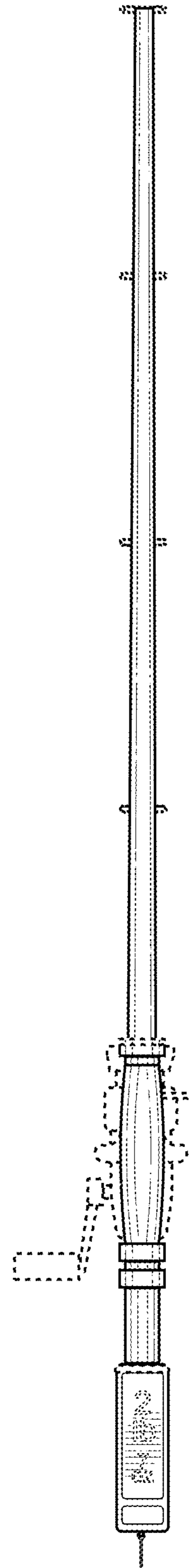


FIG. 5

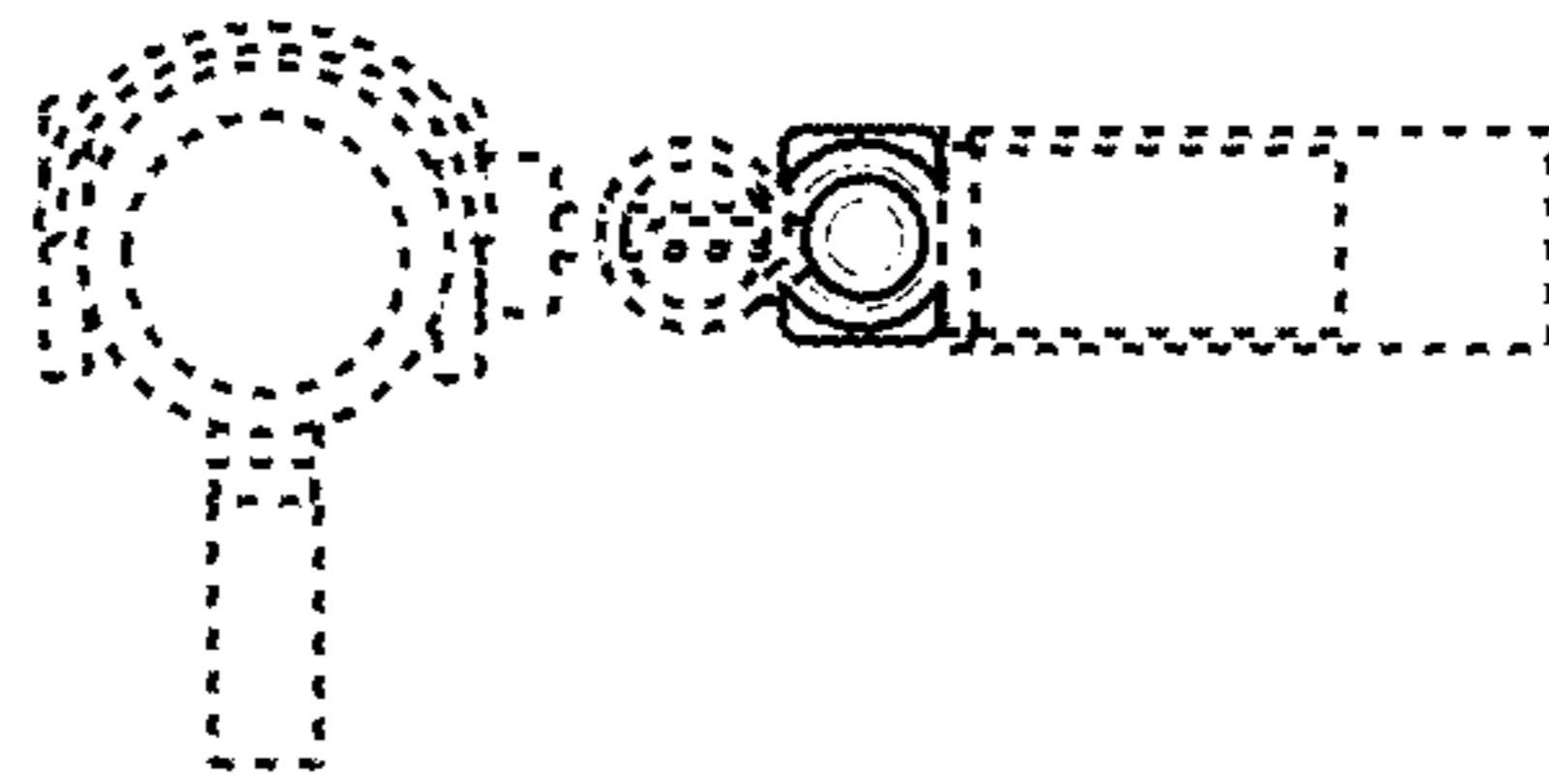


FIG. 6

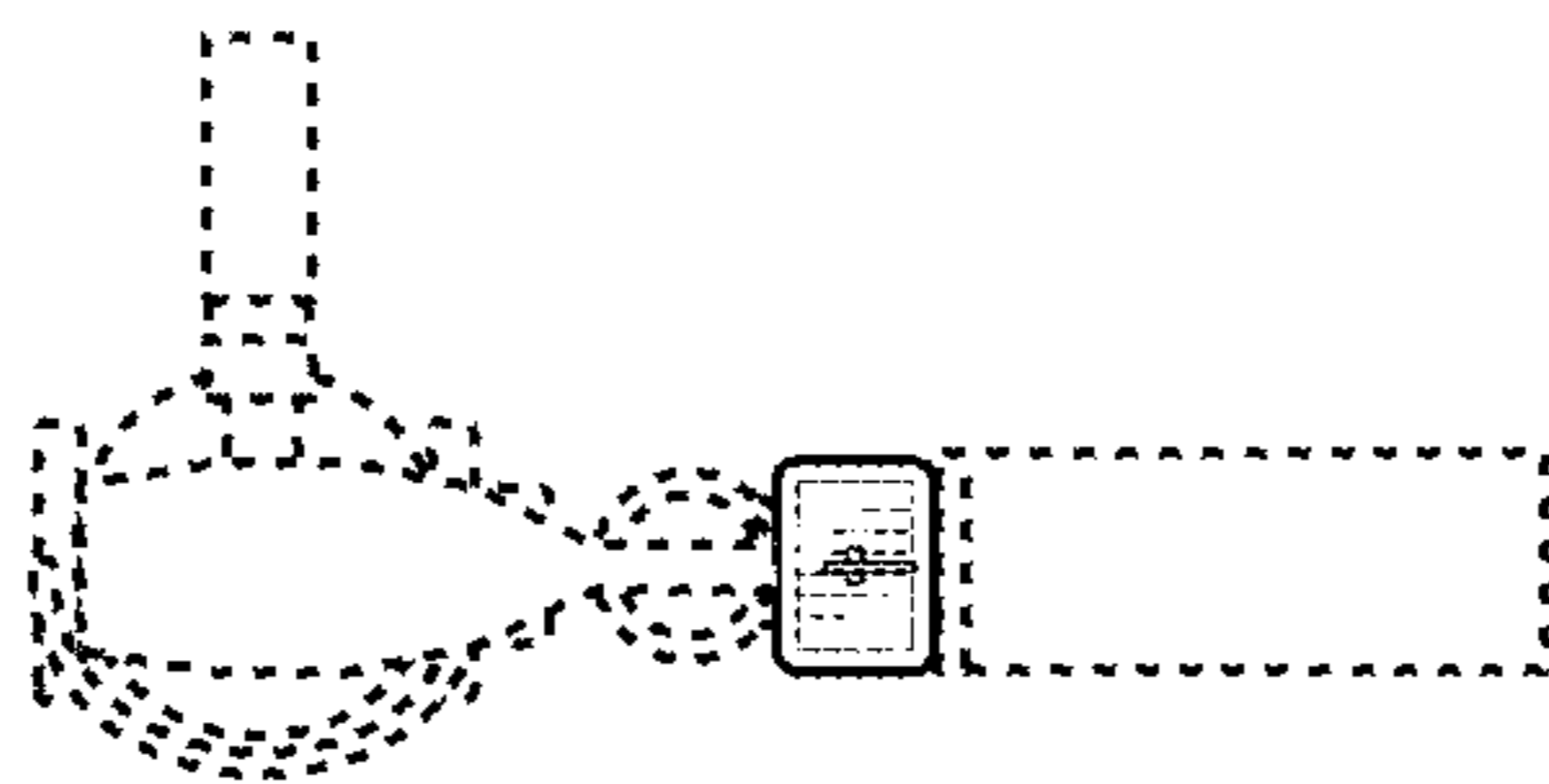


FIG. 7