



US00D872822S

(12) **United States Design Patent**
Geissele

(10) **Patent No.:** **US D872,822 S**
(45) **Date of Patent:** **** Jan. 14, 2020**

(54) **FIREARM SAFETY LEVER**

(71) Applicant: **WHG Properties, LLC**, North Wales, PA (US)

(72) Inventor: **William H. Geissele**, Lower Gwynedd, PA (US)

(73) Assignee: **WHG Properties, LLC**, North Wales, PA (US)

(**) Term: **15 Years**

(21) Appl. No.: **29/684,099**

(22) Filed: **Mar. 19, 2019**

Related U.S. Application Data

(62) Division of application No. 29/615,274, filed on Aug. 28, 2017.

(51) **LOC (12) Cl.** **22-01**

(52) **U.S. Cl.**
USPC **D22/108**

(58) **Field of Classification Search**
USPC D22/100, 101, 103, 104, 105, 108, 109,
D22/110, 111, 199; D21/567, 573, 574,
D21/575
CPC F41A 23/02; F41A 35/00; F41C 23/04;
F41C 23/12; F41C 27/22
See application file for complete search history.

(56) **References Cited**

U.S. PATENT DOCUMENTS

5,251,533	A	10/1993	Layton	
5,760,328	A *	6/1998	Robbins F41A 19/02
				89/129.02
D639,378	S *	6/2011	Burt D22/108
D641,824	S	7/2011	Gridelet	
D653,300	S	1/2012	Emde	
D667,072	S	9/2012	Kriegleder	
8,276,502	B1 *	10/2012	Wright F41A 17/46
				42/70.01

(Continued)

OTHER PUBLICATIONS

“AR15 safety lever, how to smooth it out.” [online]. Diesel Tactical. [Published on Feb. 20, 2015]. Retrieved from the Internet: <https://www.youtube.com/watch?v=FqJGp5FH3GE>.*

(Continued)

Primary Examiner — Khawaja Anwar

Assistant Examiner — Mojtaba Tehrani

(74) *Attorney, Agent, or Firm* — Fox Rothschild LLP

(57) **CLAIM**

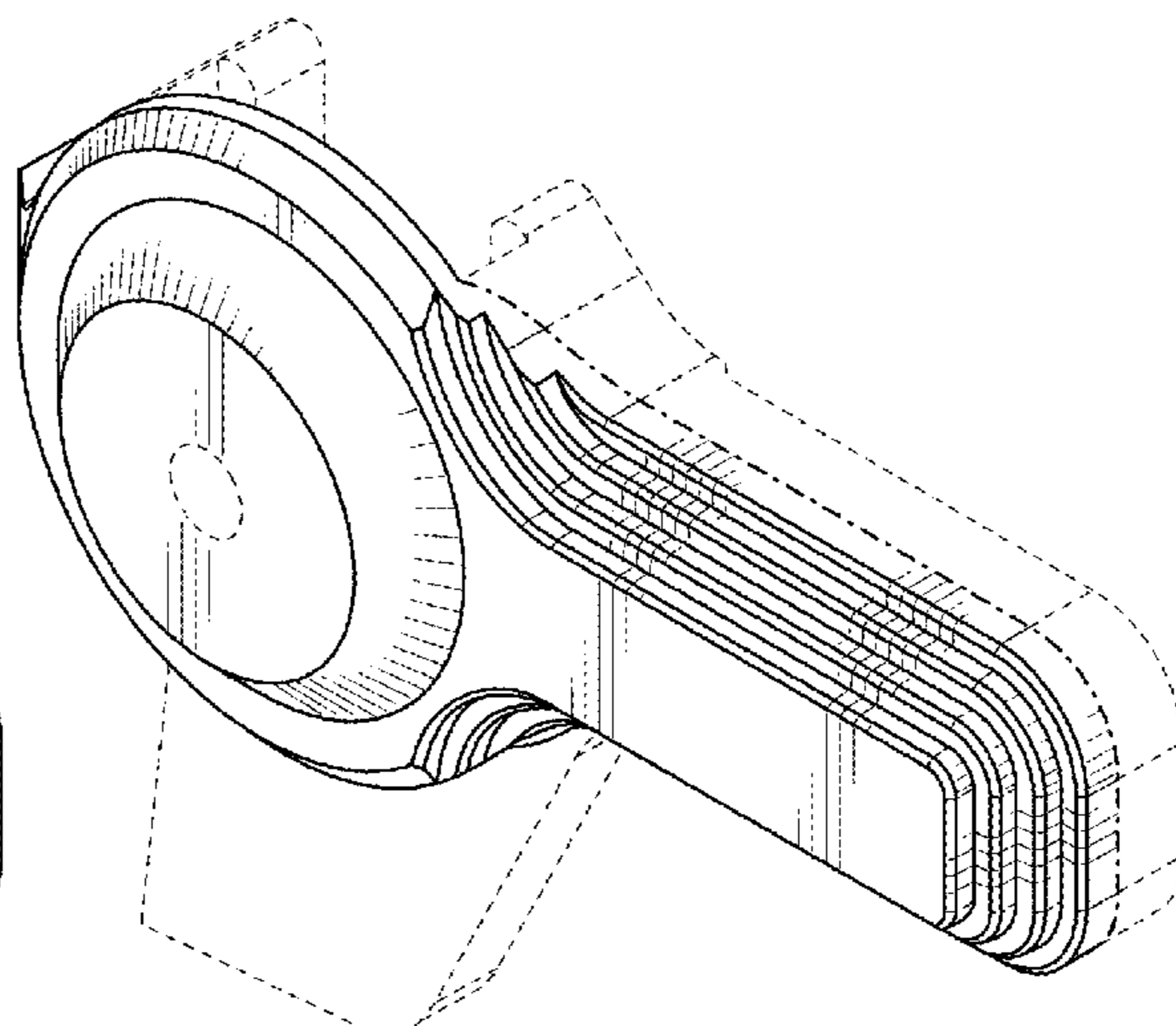
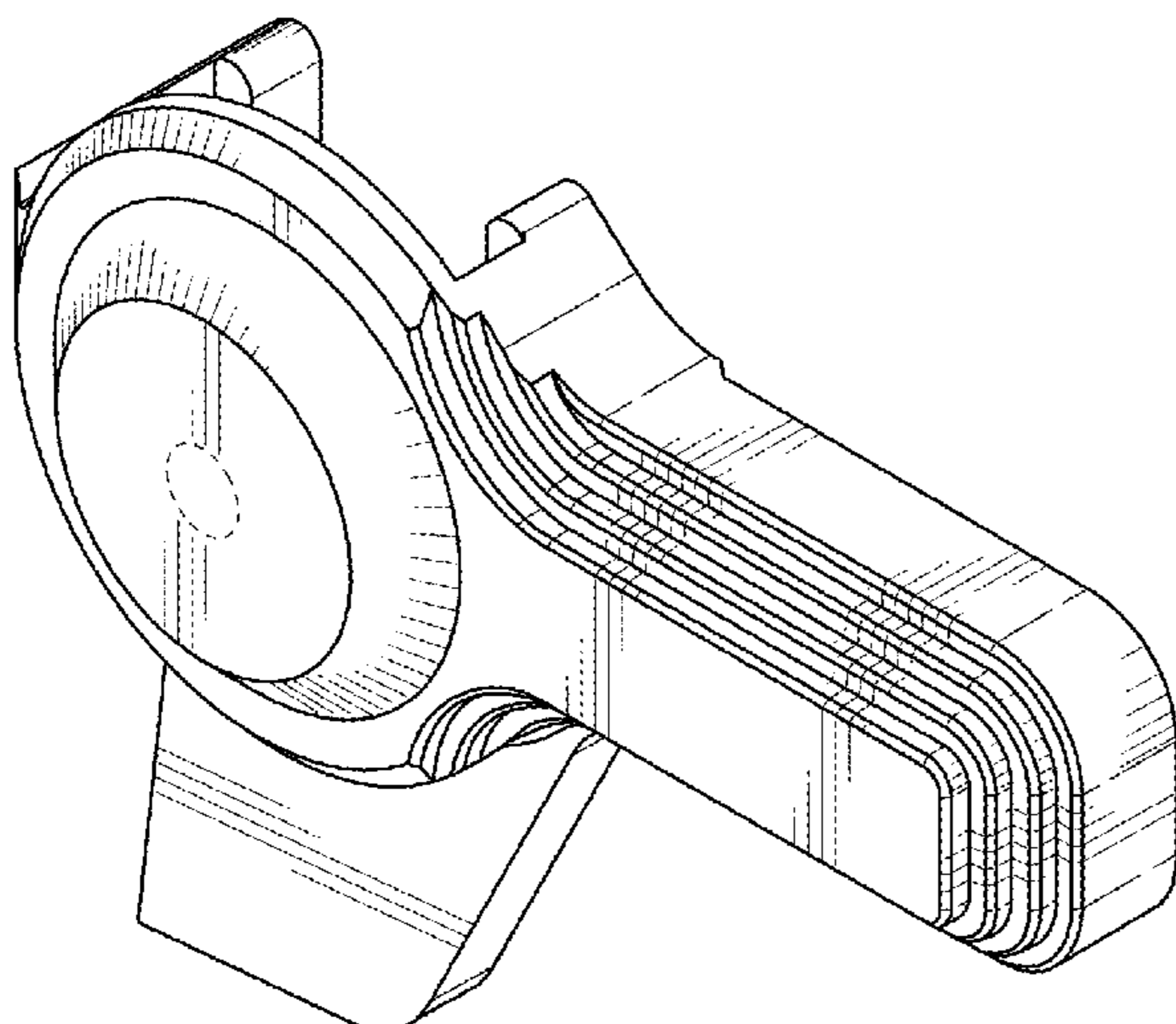
The ornamental design for a firearm safety lever, as shown and described.

DESCRIPTION

FIG. 1. is an isometric view of a first embodiment of a firearm safety lever showing my new design;
FIG. 2. is a front view;
FIG. 3. is a rear view thereof;
FIG. 4. is a right side view thereof;
FIG. 5. is a left side view thereof;
FIG. 6. is a top view thereof;
FIG. 7. is a bottom view thereof;
FIG. 8. is an isometric view of a second embodiment of a firearm safety lever showing my new design;
FIG. 9. is a front view thereof;
FIG. 10. is a rear view thereof;
FIG. 11. is a right side view thereof;
FIG. 12. is a left side view thereof;
FIG. 13. is a top view thereof; and,
FIG. 14. is a bottom view thereof.

The dot-dash broken lines in the drawings depict boundaries of the claimed design. The evenly broken lines in the drawings depict unclaimed portions of the firearm safety lever. The broken lines form no part of the claimed design.

1 Claim, 4 Drawing Sheets



(56)

References Cited

U.S. PATENT DOCUMENTS

D689,160 S 9/2013 Emde
 D721,779 S 1/2015 Emde et al.
 D723,646 S * 3/2015 Keezer D22/108
 D724,169 S 3/2015 Emde et al.
 9,587,897 B1 * 3/2017 Huang F41A 17/00
 D785,124 S 4/2017 Dahl, II
 D819,768 S 6/2018 Dew
 D833,562 S * 11/2018 Geissele D22/108
 D834,131 S * 11/2018 Geissele D22/108
 D841,755 S * 2/2019 Pavlick D22/108
 2010/0236394 A1 9/2010 Gomez
 2013/0111796 A1 * 5/2013 Dionne F41A 17/00
 42/70.11
 2016/0091268 A1 * 3/2016 Miller, III F41A 17/46
 42/70.06

2016/0131449 A1 5/2016 Horch
 2017/0176122 A1 * 6/2017 Underwood F41A 19/46
 2017/0299304 A1 * 10/2017 Otte, Jr. F41A 17/46

OTHER PUBLICATIONS

“AR-15 Safety Selectors” [online]. redbarnarmory.com. [Retrieved on Jun. 14, 2019]. Retrieved from the Internet: <https://www.redbarnarmory.com/AR15-Safety-Selectors-s/1849.htm>.
 “Geissele Automatics High Speed Selector (HSS)” [online], David Crane, [Published on May 23, 2017], Retrieved from the Internet: <http://www.defensereview.com/geissele-automatics-high-speed-selector-drop-in-spring-loaded-45-degree-instant-onoff-ambidextrous-full-auto-ar-selector-switch-and-super-select-fire->.
 “DPMS Oversized Safety Selector AR-15, LR-308” [online], midwayusa.com. [Retrieved on Feb. 21, 2019], Retrieved from the Internet: <https://www.midwayusa.com/product/100334029/dpms-oversized-safety-selector-ar-15-lr-308-steel-matte>.

* cited by examiner

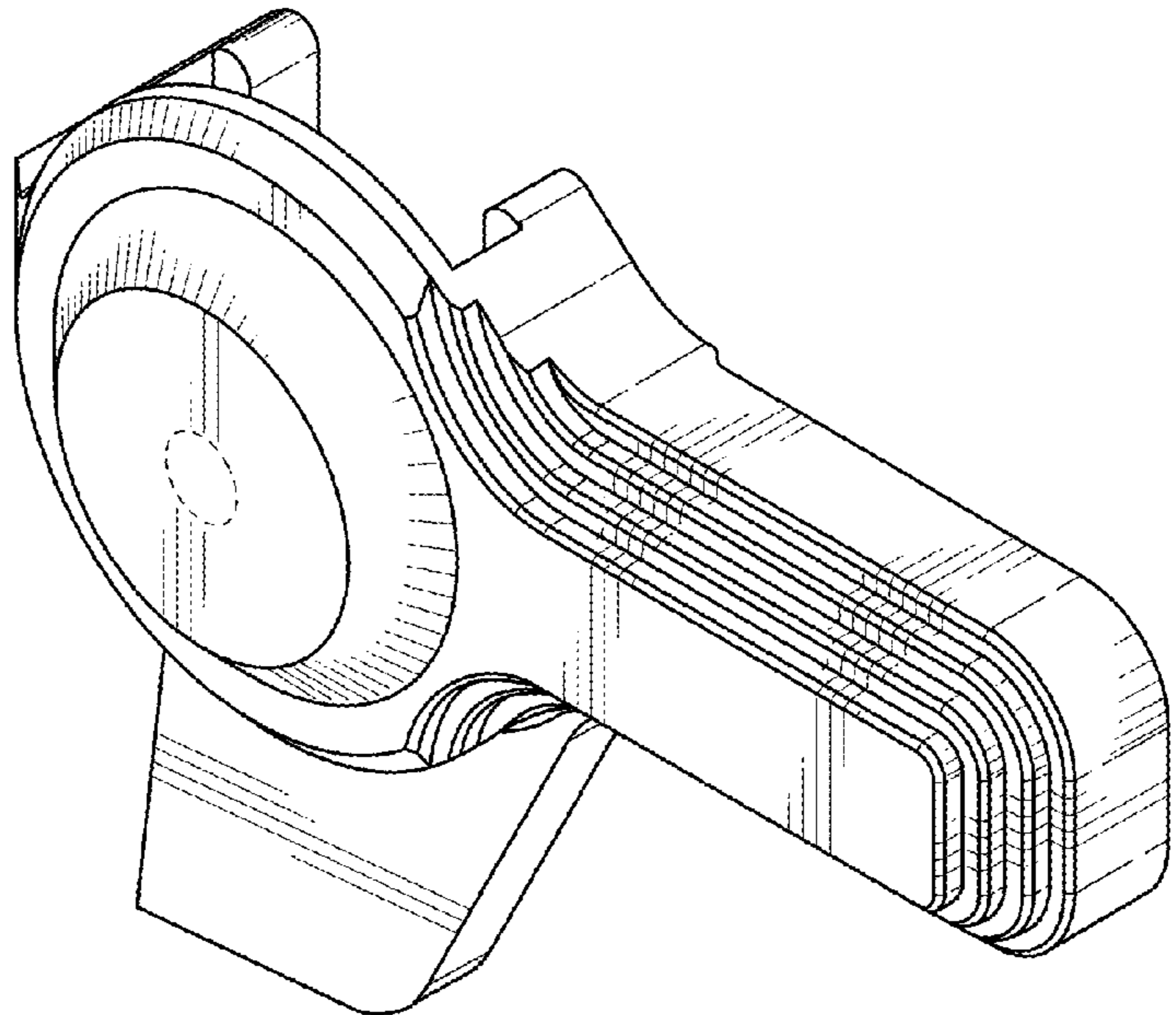


FIG. 1

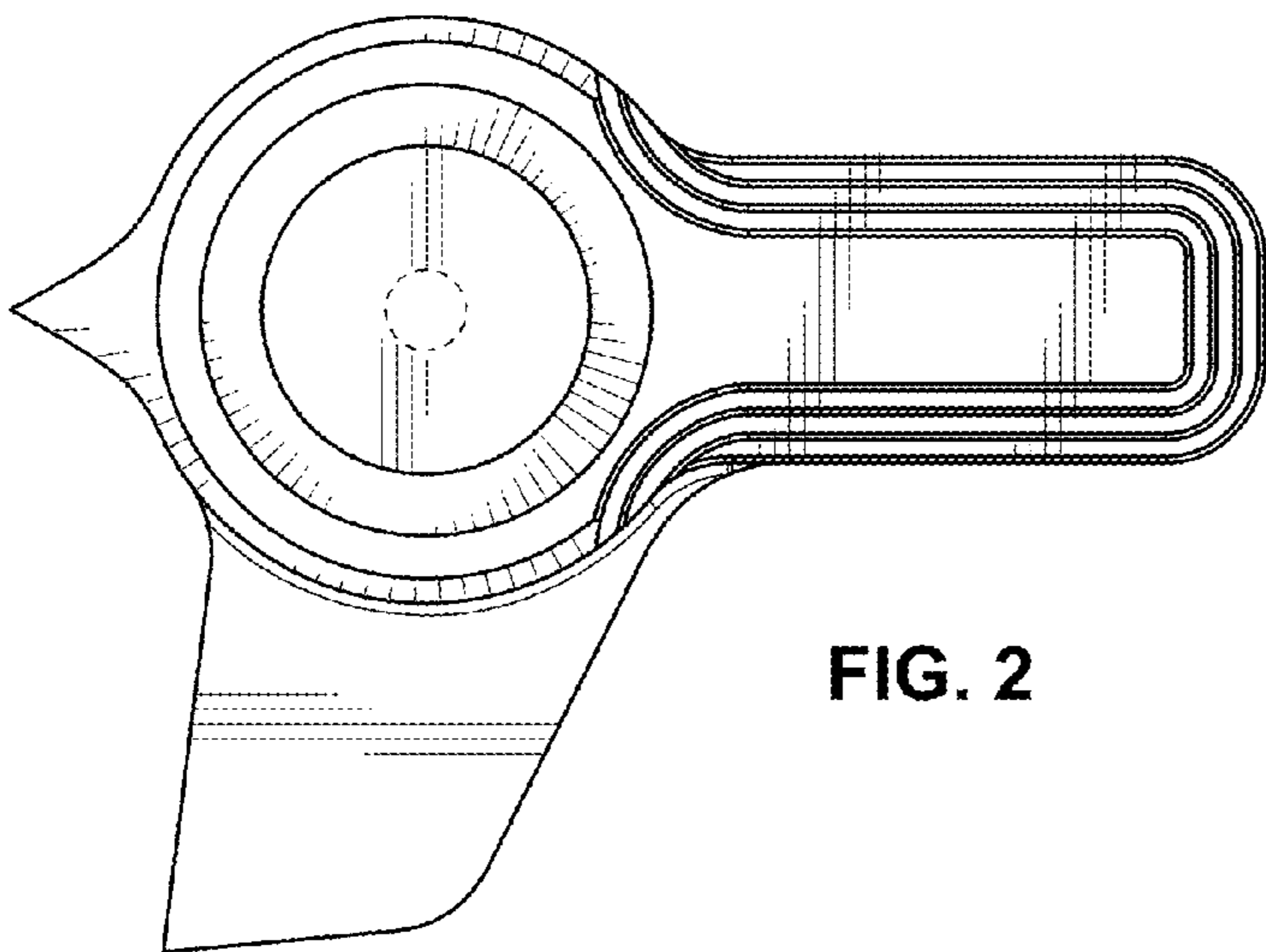


FIG. 2

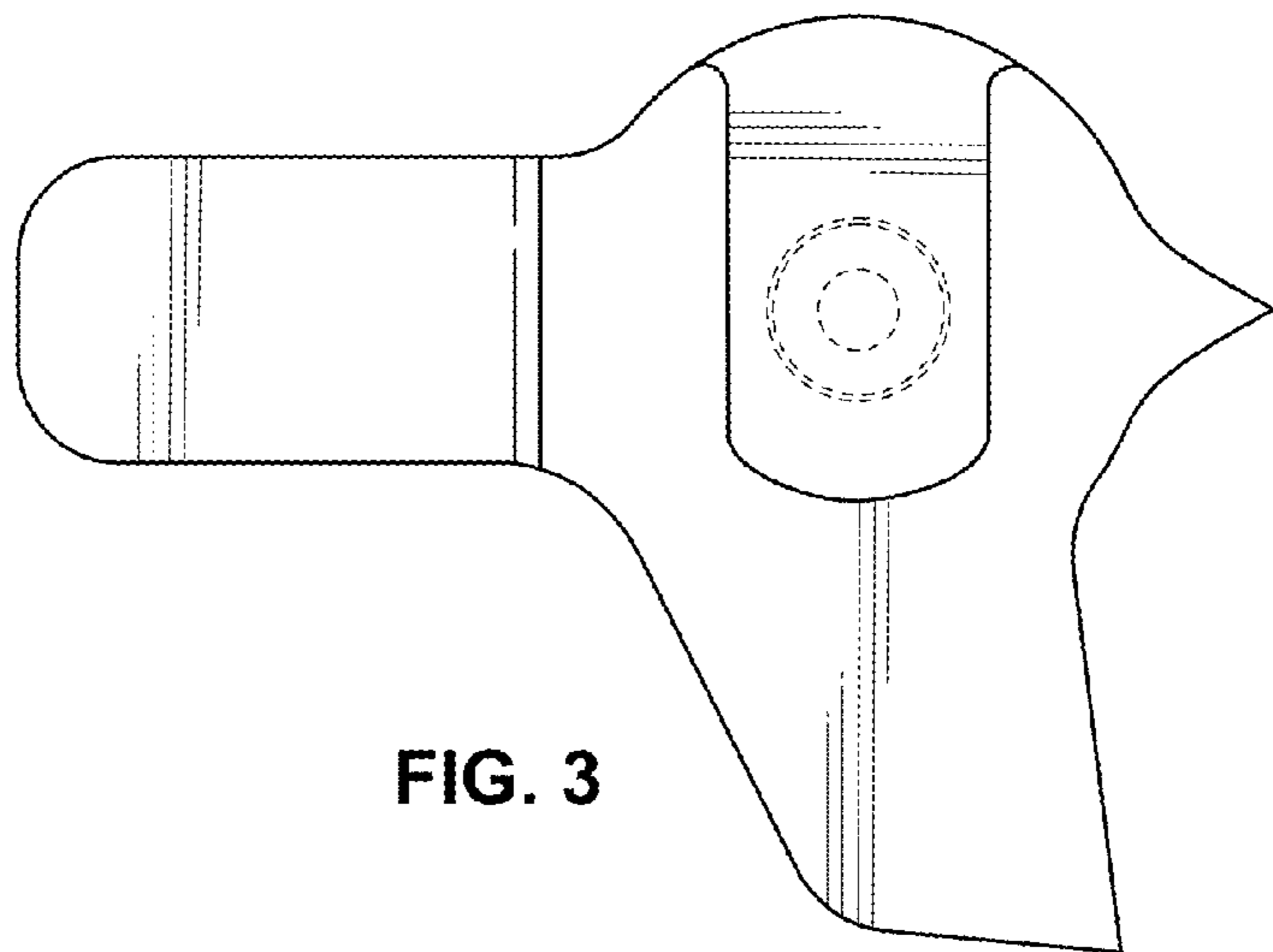


FIG. 3

FIG. 4

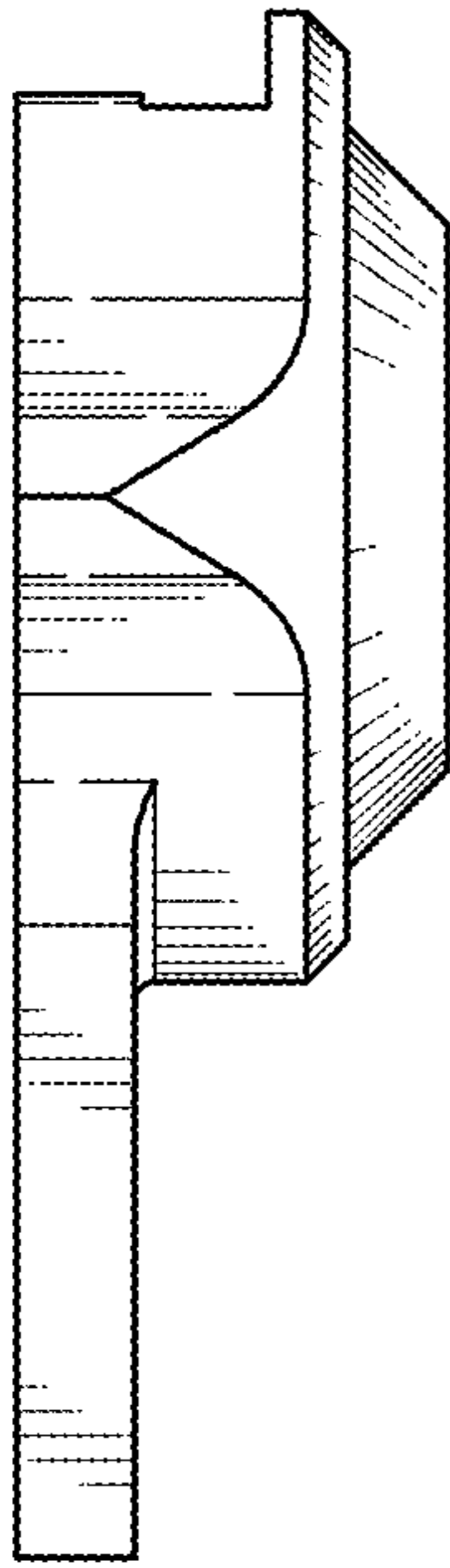


FIG. 5

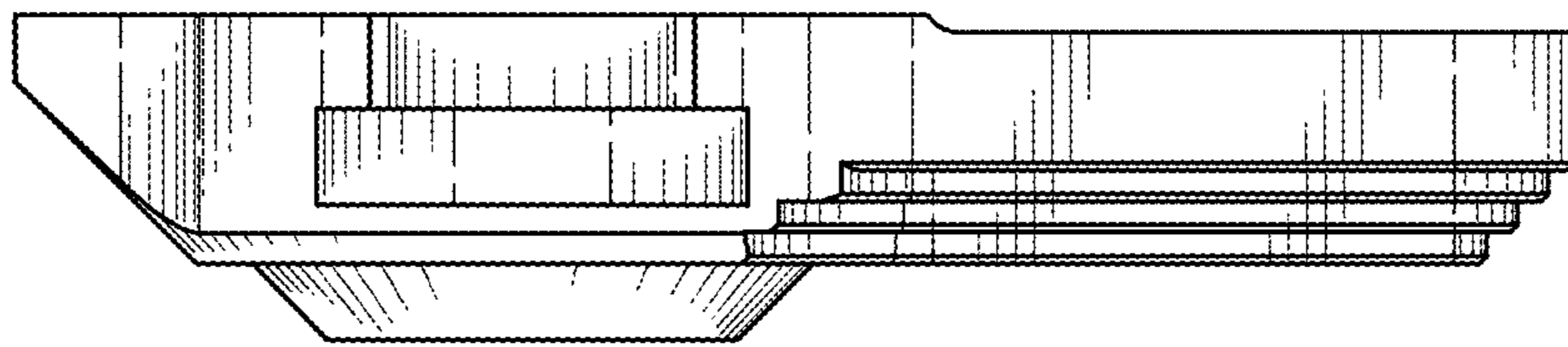
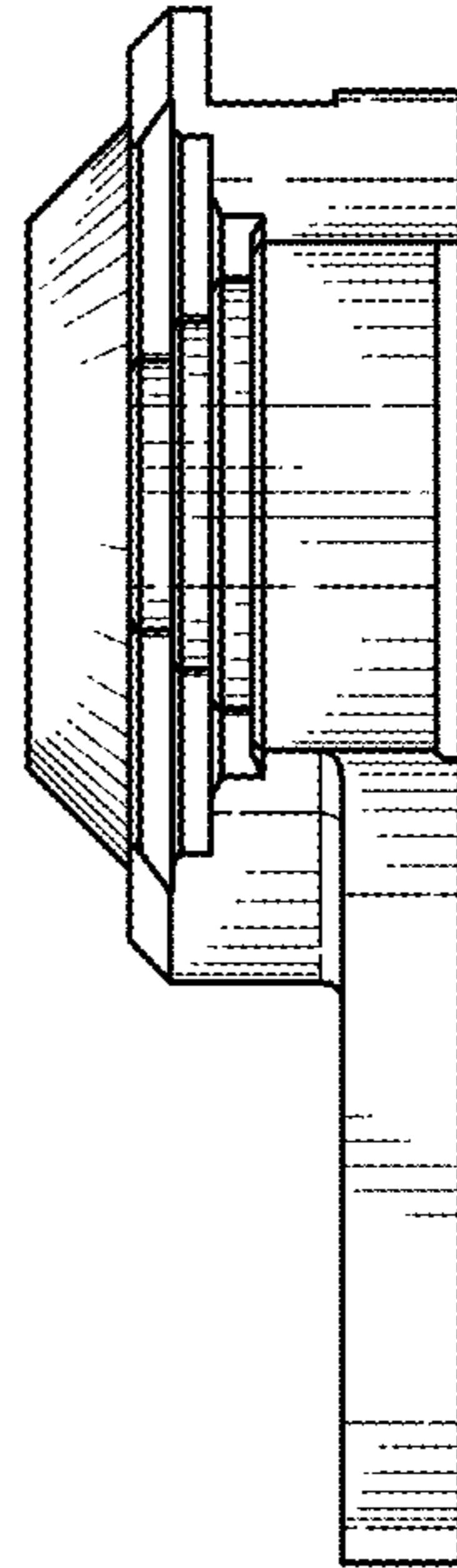


FIG. 6

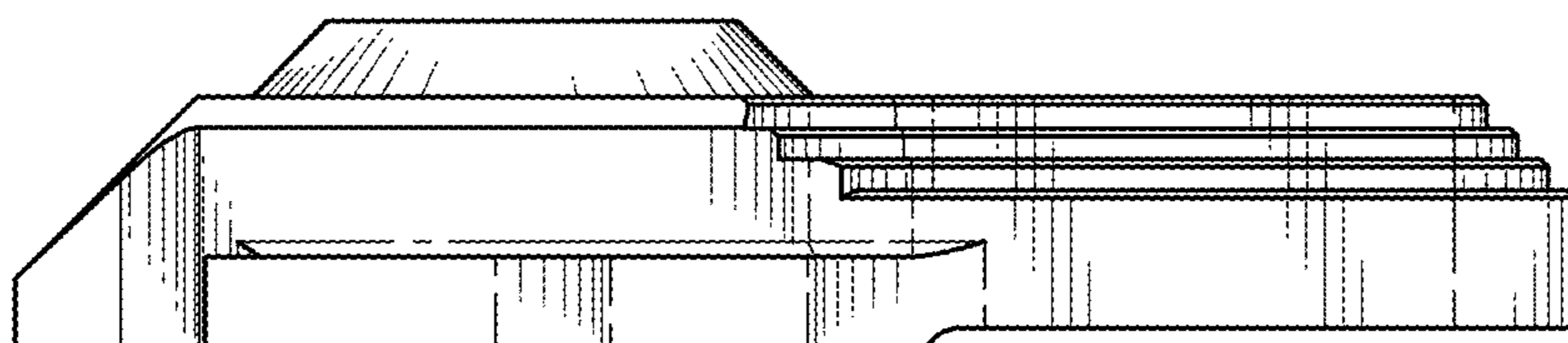


FIG. 7

FIG. 8

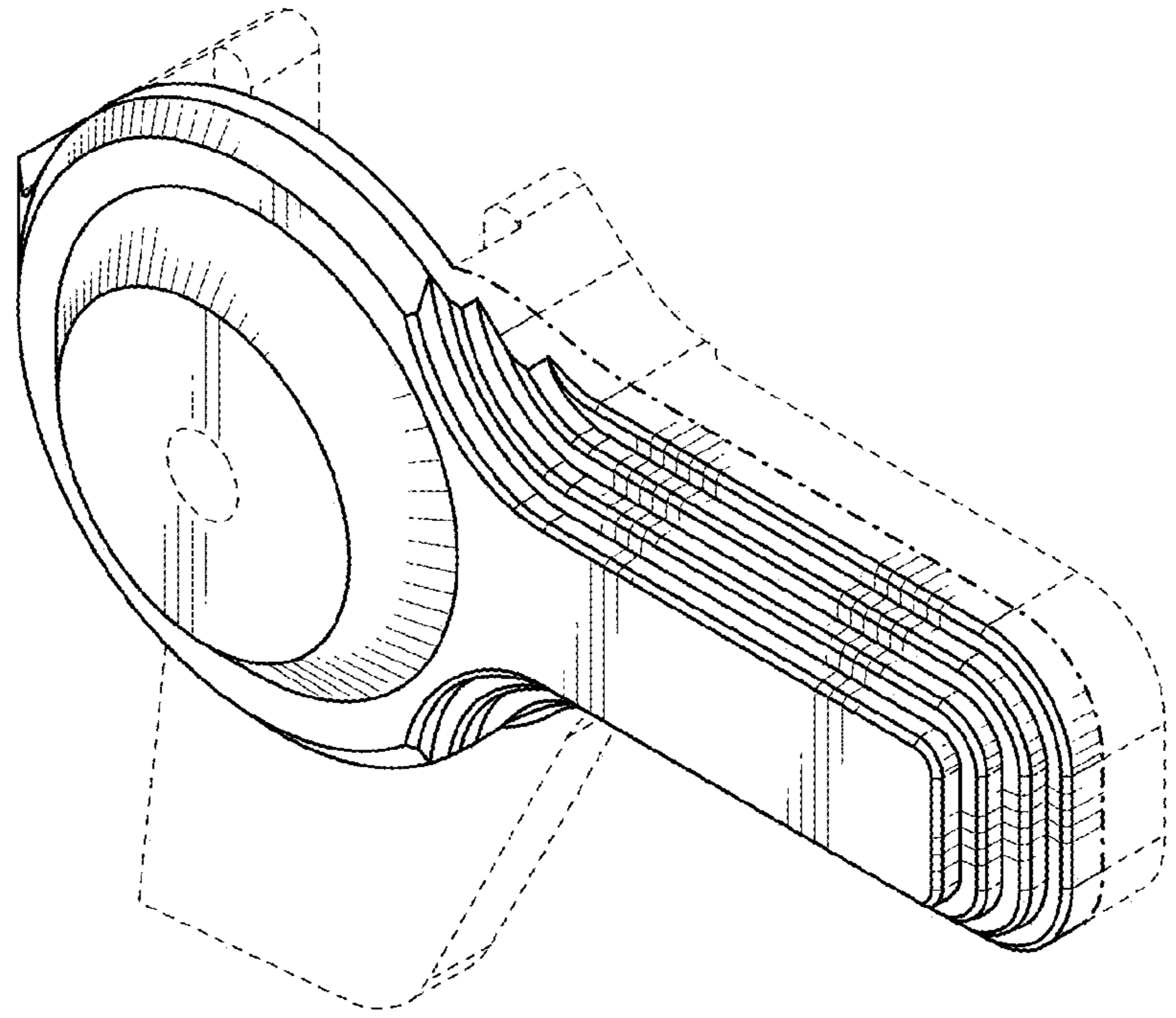


FIG. 9

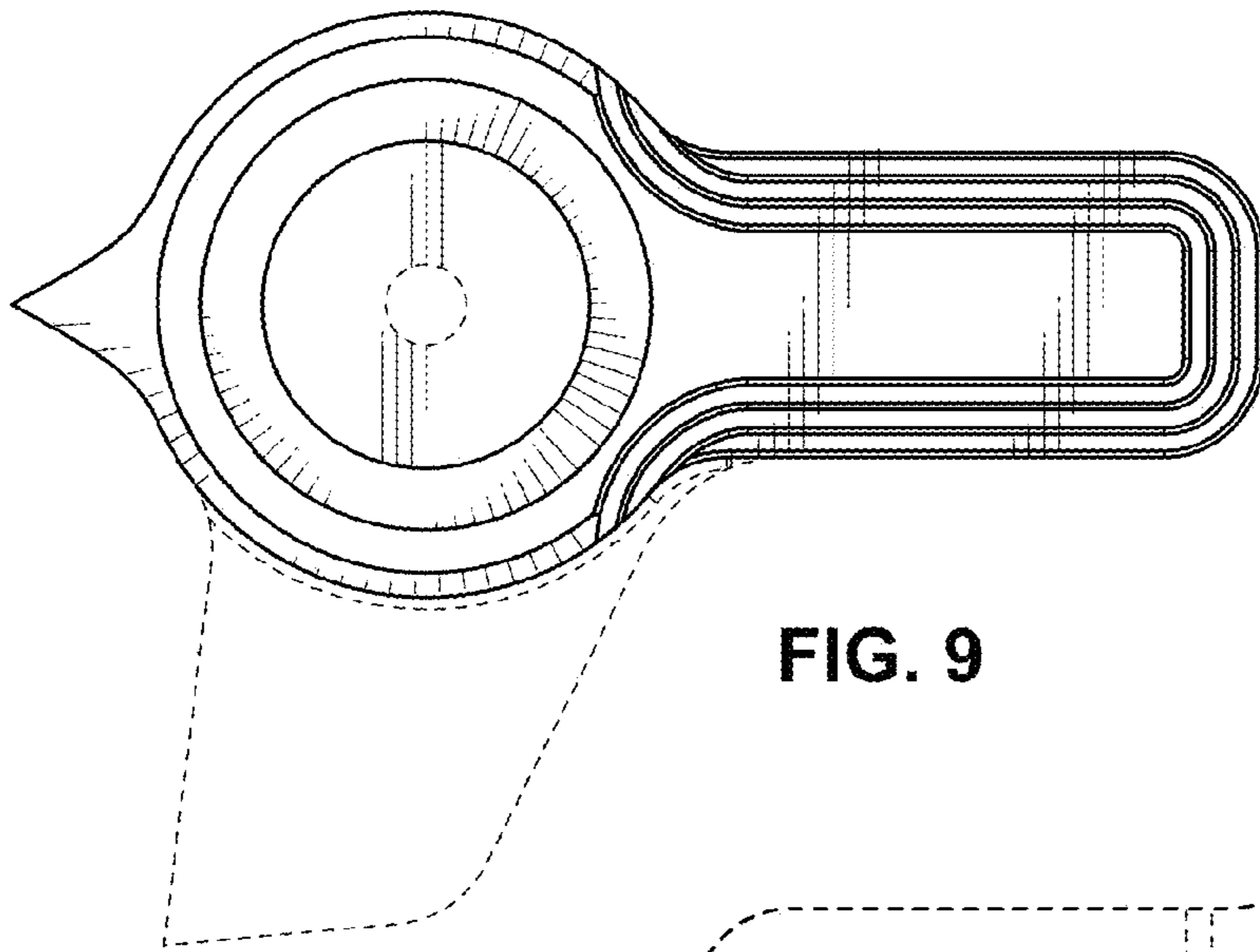


FIG. 10

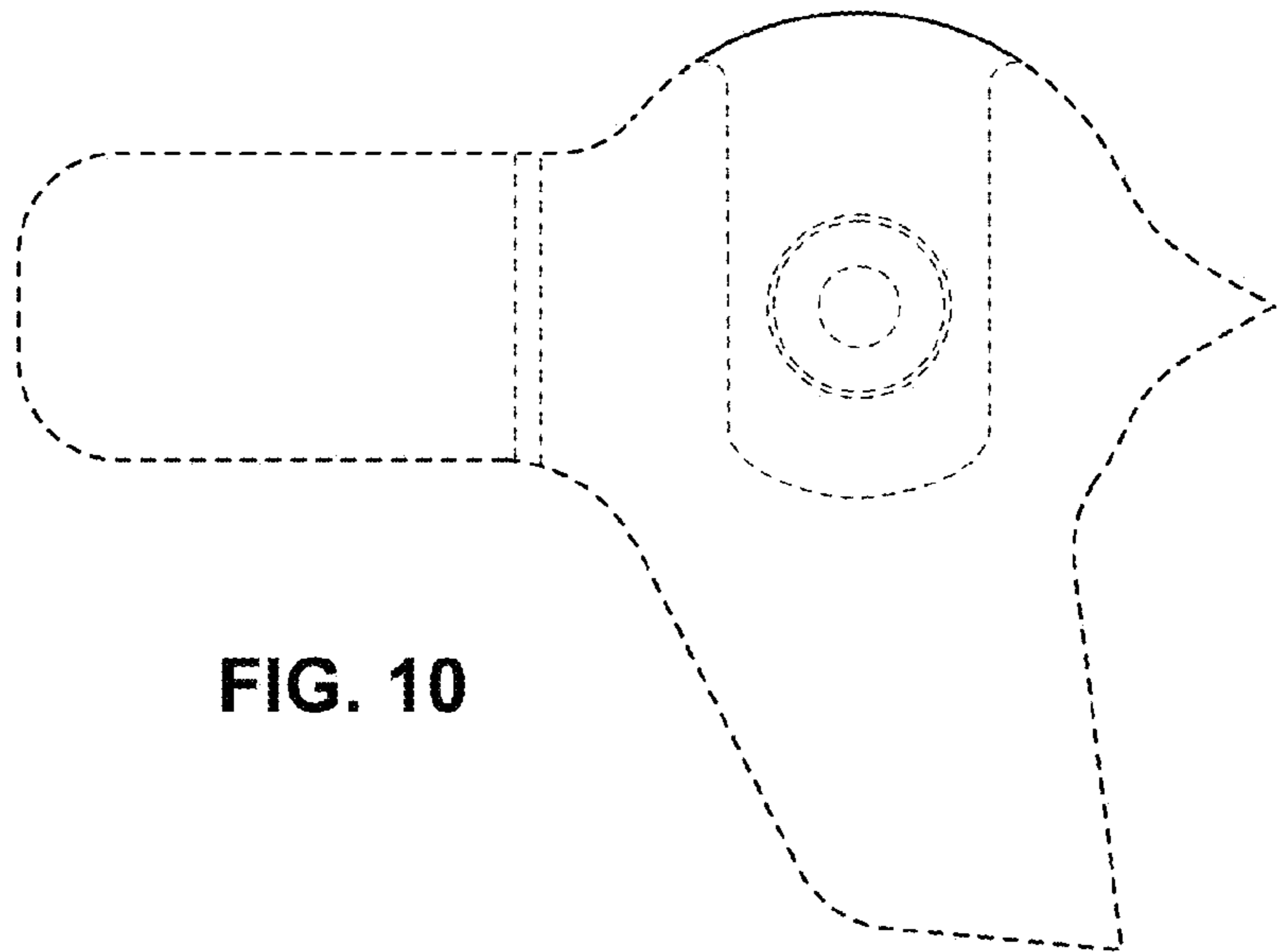


FIG. 11

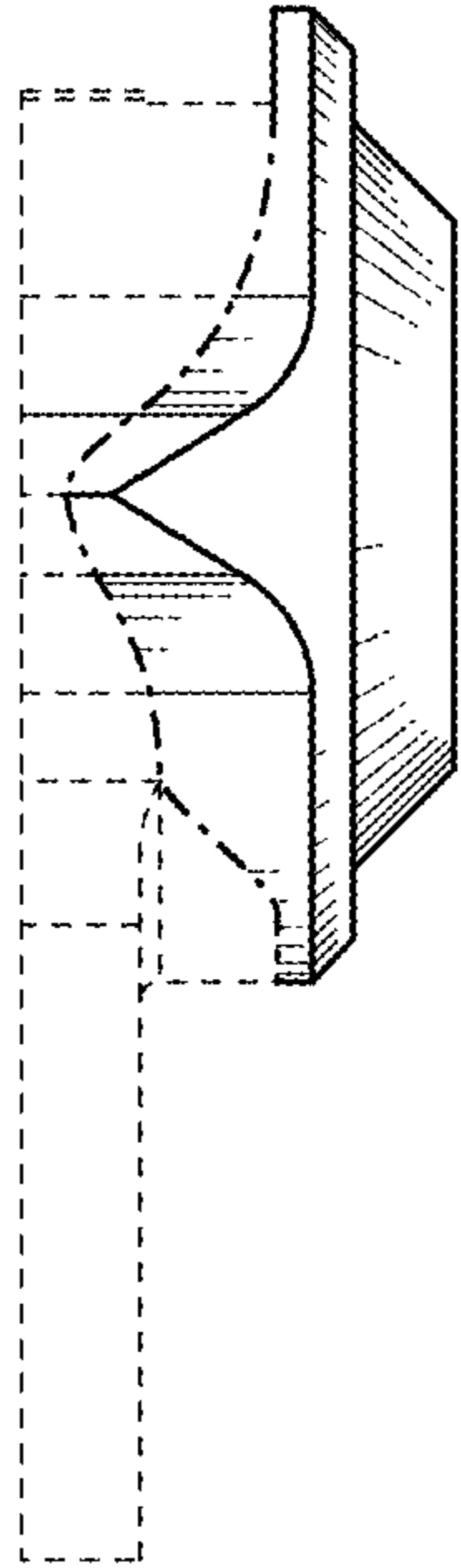


FIG. 12

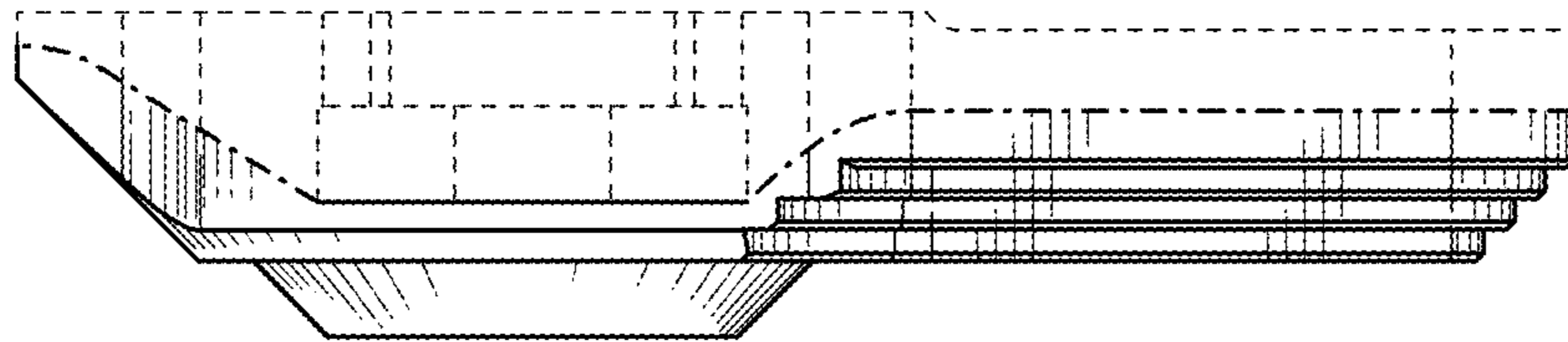
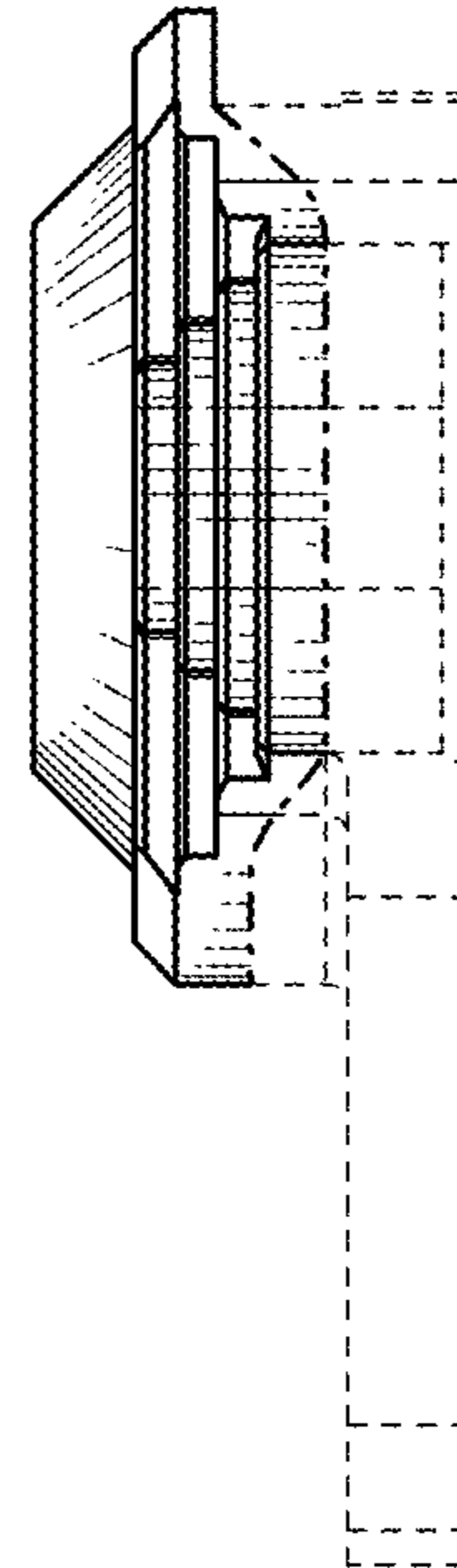


FIG. 13

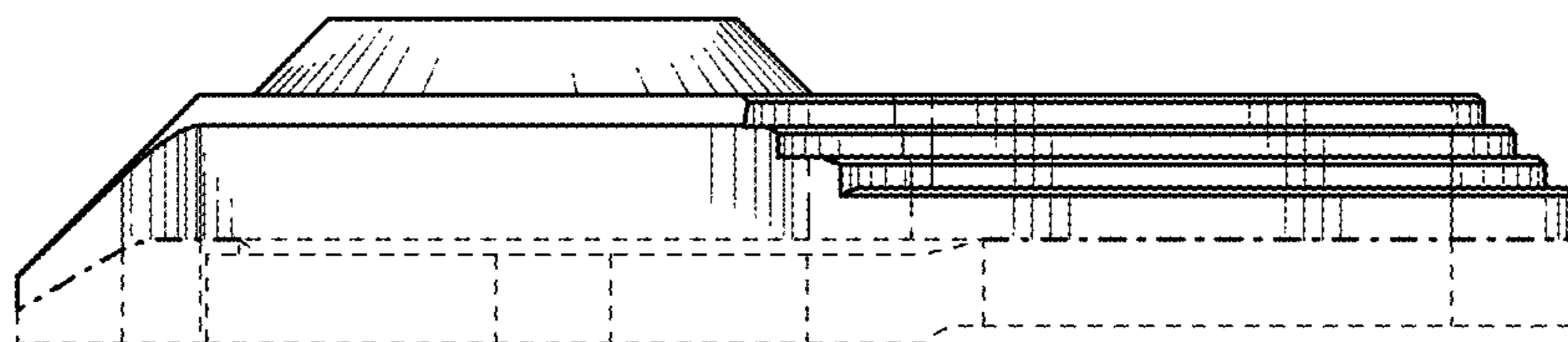


FIG. 14