

US00D872820S

(12) **United States Design Patent** (10) **Patent No.:** **US D872,820 S**
Morrow et al. (45) **Date of Patent:** **** Jan. 14, 2020**

(54) **DUAL-GRIP PORTABLE COUNTERMEASURE DEVICE AGAINST UNMANNED SYSTEMS**

(71) Applicant: **Battelle Memorial Institute**, Columbus, OH (US)

(72) Inventors: **Alexander Morrow**, Gahanna, OH (US); **Daniel E. Stamm**, Columbus, OH (US); **Raphael J. Welsh**, Powell, OH (US); **Daniel G. Loesch**, Columbus, OH (US); **Zachary Schmid**, Columbus, OH (US)

(73) Assignee: **Dedrone Holdings, Inc.**, San Francisco, CA (US)

(**) Term: **15 Years**

(21) Appl. No.: **29/680,172**

(22) Filed: **Feb. 14, 2019**

Related U.S. Application Data

(63) Continuation of application No. 16/274,325, filed on Feb. 13, 2019, which is a continuation-in-part of application No. 16/005,905, filed on Jun. 12, 2018, which is a continuation of application No. 15/596,842, filed on May 16, 2017, now Pat. No. 10,020,909, which is a continuation-in-part of application No. 15/274,021, filed on Sep. 23, 2016, now Pat. No. 10,103,835.

(51) **LOC (12) Cl.** **22-01**

(52) **U.S. Cl.**
USPC **D22/103**

(58) **Field of Classification Search**
USPC D22/101, 108, 117; D14/230, 232, 234, D14/238; D21/571-575
CPC F41B 11/55; F41B 11/51; F41B 11/62
See application file for complete search history.

(56) **References Cited**

U.S. PATENT DOCUMENTS

4,584,578 A 4/1986 Brauns et al.
5,001,771 A 3/1991 New
5,287,110 A 2/1994 Tran
5,822,429 A 10/1998 Casabona et al.
5,896,105 A 4/1999 Murphy et al.

(Continued)

FOREIGN PATENT DOCUMENTS

WO WO 2007/012147 A1 2/2007
WO WO 2007/012148 A1 2/2007
WO WO 2017/053693 3/2017

OTHER PUBLICATIONS

V1; 3G Mobile Phone Jammer; accessed from <http://www.jammerfromchina.com>.

(Continued)

Primary Examiner — Michael A. Pratt

(74) *Attorney, Agent, or Firm* — Morris, Manning & Martin, LLP; Daniel E. Sineway, Esq.; Daniel T. Begasse

(57) **CLAIM**

The ornamental design for a dual-grip portable countermeasure device against unmanned systems, as shown and described.

DESCRIPTION

FIG. 1 is a perspective view of dual-grip portable countermeasure device against unmanned systems.

FIG. 2 is a left side view thereof.

FIG. 3 is a front view thereof.

FIG. 4 is a rear view thereof.

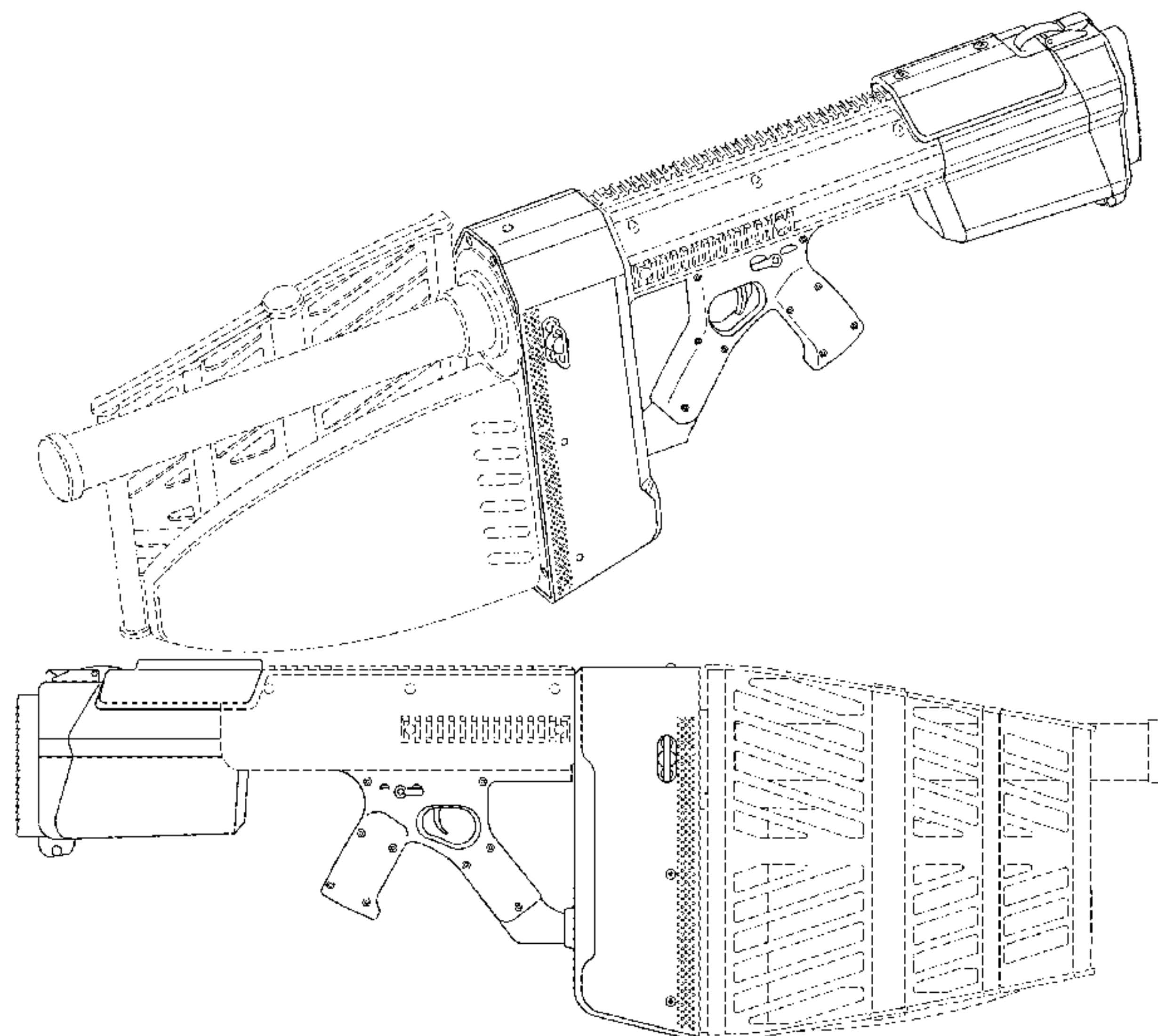
FIG. 5 is a right side view thereof.

FIG. 6 is a top view thereof; and,

FIG. 7 is a bottom view thereof.

The broken lines of FIGS. 1-7 illustrate portions of the article and form no part of the claimed design.

1 Claim, 5 Drawing Sheets



(56)

References Cited

U.S. PATENT DOCUMENTS

6,230,371	B1	5/2001	Chu	
6,396,432	B1	5/2002	Riemschneider et al.	
6,480,144	B1	11/2002	Miller	
6,977,598	B2	12/2005	Longbottom	
7,050,755	B2	5/2006	Kline	
7,099,369	B2	8/2006	Karlsson	
7,318,368	B2	1/2008	Ham et al.	
7,423,575	B2	9/2008	Duff et al.	
7,489,264	B2	2/2009	Ferm et al.	
7,554,481	B2	6/2009	Cohen et al.	
7,574,168	B2	8/2009	Twitchell et al.	
7,697,885	B2	4/2010	Stoddard	
7,698,846	B2	4/2010	Do Amarante	
7,783,246	B2	8/2010	Twitchell, Jr. et al.	
7,784,390	B1	8/2010	Lowell et al.	
8,001,901	B2	8/2011	Bass	
8,135,661	B2	3/2012	Olsson	
8,145,119	B2	3/2012	Cornwell	
8,170,467	B2	5/2012	Soddard	
8,203,109	B2	6/2012	Taylor et al.	
8,269,957	B2	9/2012	Saban et al.	
8,301,075	B2	10/2012	Sherman et al.	
8,388,243	B1	3/2013	Smith	
8,615,190	B2	12/2013	Lu	
8,903,304	B2	12/2014	Coleman et al.	
D722,672	S *	2/2015	Juarez	D22/108
8,971,441	B2	3/2015	Dowla et al.	
9,071,385	B2	6/2015	Delaveau et al.	
9,207,049	B2	12/2015	Rovinsky	
D763,396	S *	8/2016	Juarez	D22/108
9,404,750	B2	8/2016	Rios	
D780,277	S *	2/2017	Barnett	D22/107
D814,598	S *	4/2018	Monti	D22/108
D855,138	S *	7/2019	Cheng	D22/108
D855,730	S *	8/2019	Stamm	D22/108
D855,731	S *	8/2019	Stamm	D22/108
2003/0058112	A1	3/2003	Gleine	
2005/0011101	A1	1/2005	Gooder	
2005/0041728	A1	2/2005	Karlsson	
2006/0226950	A1	10/2006	Kanou	

2007/0063886	A1	3/2007	Brumley, II et al.
2008/0174469	A1	7/2008	Stark et al.
2009/0214205	A1	8/2009	Clark et al.
2009/0287363	A1	11/2009	Young
2011/0000389	A1	1/2011	Fullerton
2011/0176674	A1	7/2011	Romain
2013/0015260	A1	1/2013	Schulte
2013/0023201	A1	1/2013	Coleman et al.
2014/0145993	A1	5/2014	Nakayama
2014/0147116	A1	5/2014	Krupkin
2014/0266851	A1	9/2014	Fink et al.
2015/0229434	A1	8/2015	Shawn
2015/0350914	A1	12/2015	Baxley

OTHER PUBLICATIONS

V2; 3W High Power Portable All Wireless Bug Camera; accessed from <http://www.jammerfromchina.com>.

V3; Cell phone jammer Search by Functions; accessed from <http://jammerfromchina.com>.

V4; L5 3G Mobile Phone Signal Jammer; accessed from <http://www.jammerfromchina.com>.

V5; New Arrival All-in-one Handheld GPS 2G 3G 4G Mobile Phone; accessed from <http://www.jammerfromchina.com>.

V6; PCS_3G_WiFi_GPS Signal Blocker; accessed from <http://www.jammerfromchina.com>.

V7; Phone Jammer—Wholesale Jammer—DropShip From China; accessed from <http://www.jammerfromchina.com>.

W; Clear Sky jammers e-RAKE; accessed from <http://www.hypercable.fr>.

X; High Gain Directional Antennas for High Power Adjustable WiFi Phone Jammer; accessed from <http://www.alljammers.com>.

Y; Directional RF Jammer for blocking cellular phone calls; accessed from <http://www.secintel.com>.

Z; Drone jammer instruction set.
Fitriyani et al.; Yagi antenna design for signal phone jammer; 2012.
International Search Report for PCT Application No. PCT/US2018/032732 dated Aug. 8, 2018.

* cited by examiner

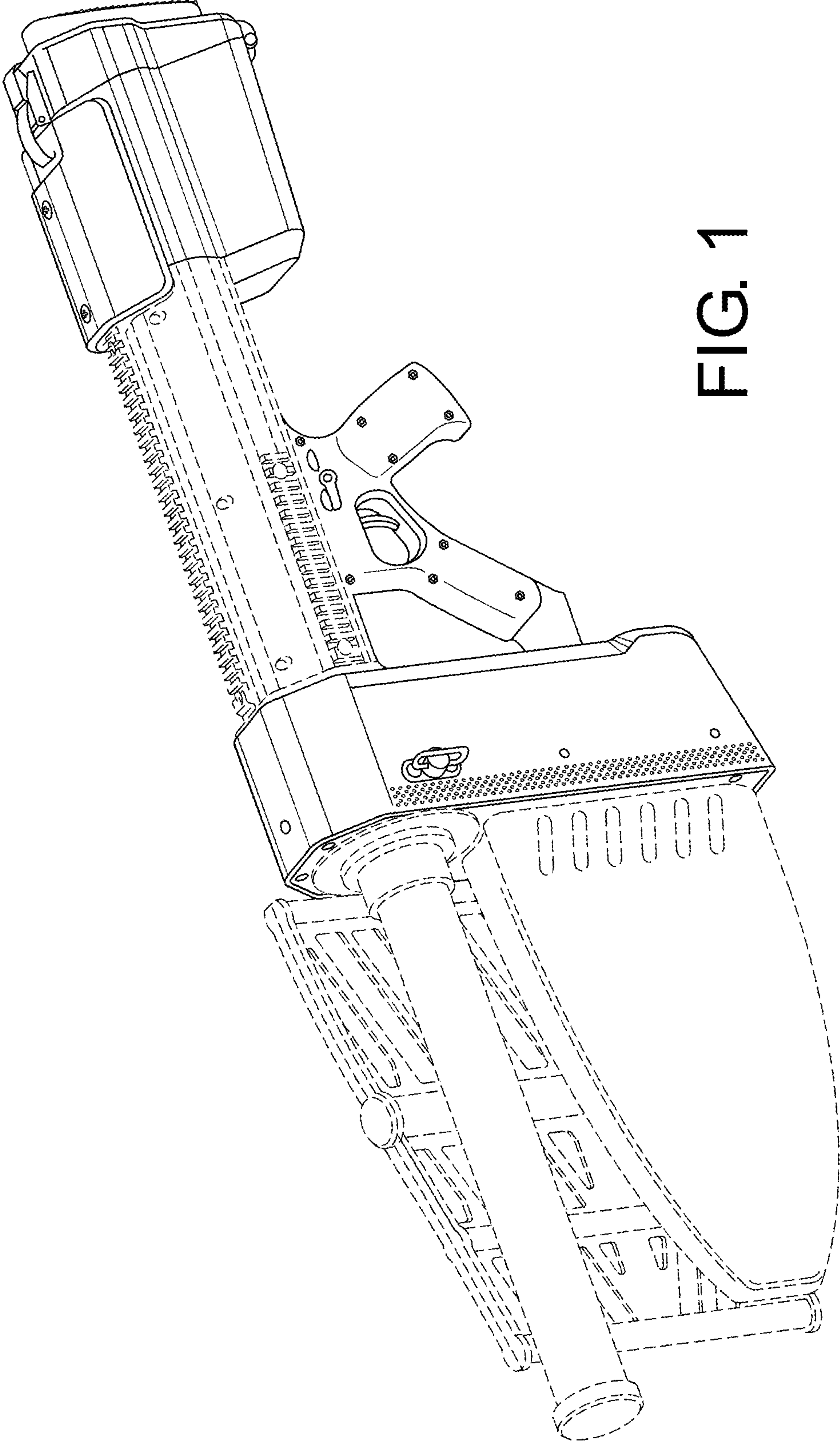


FIG. 1

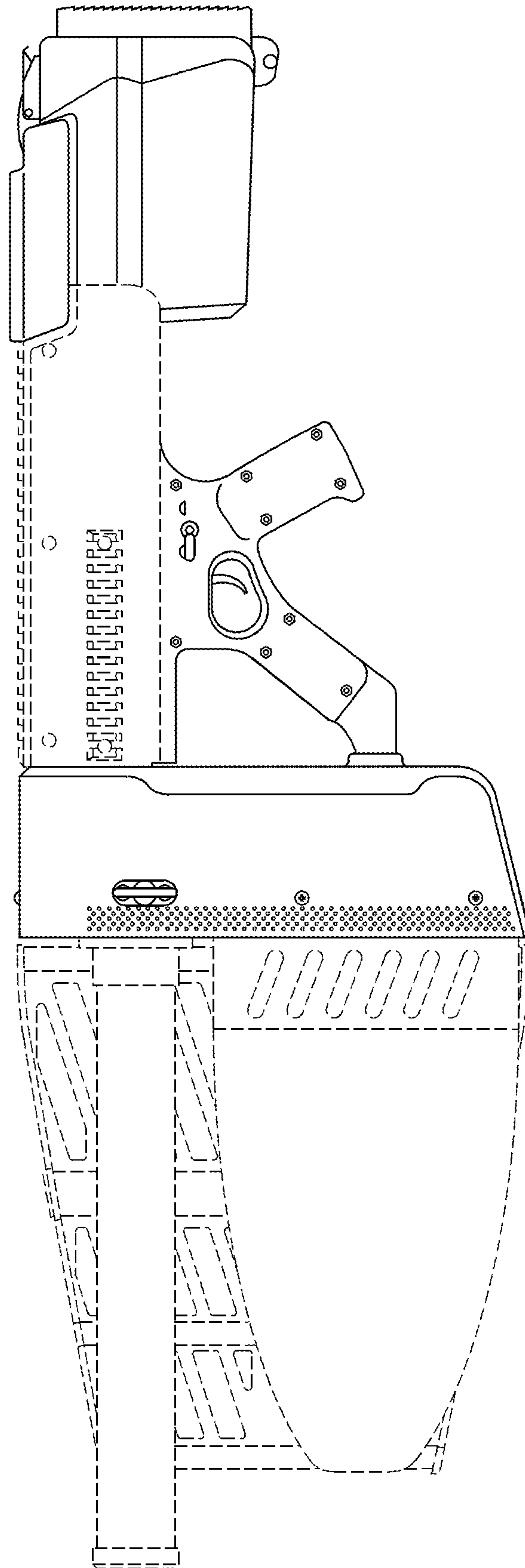


FIG. 2

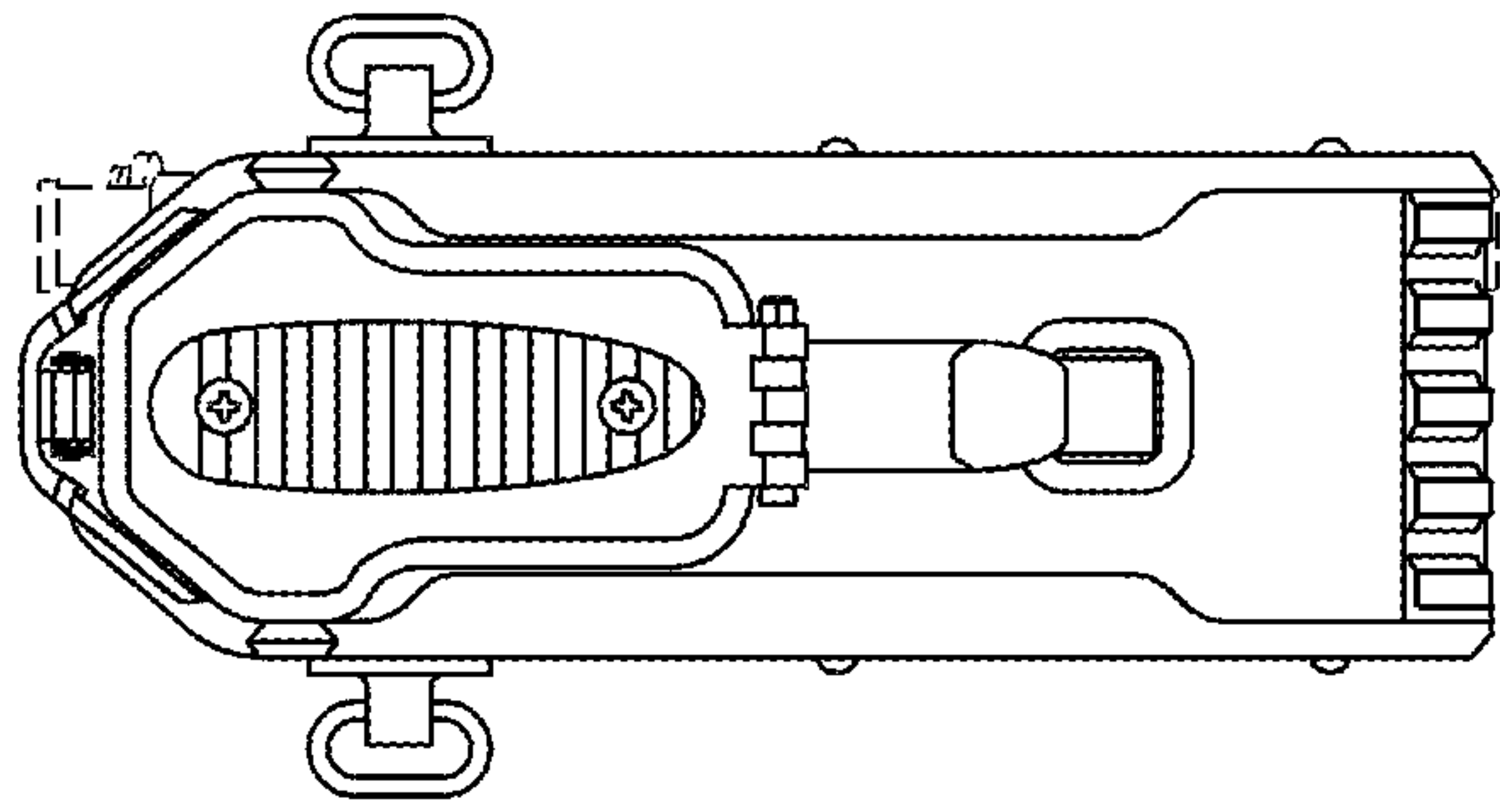


FIG. 4

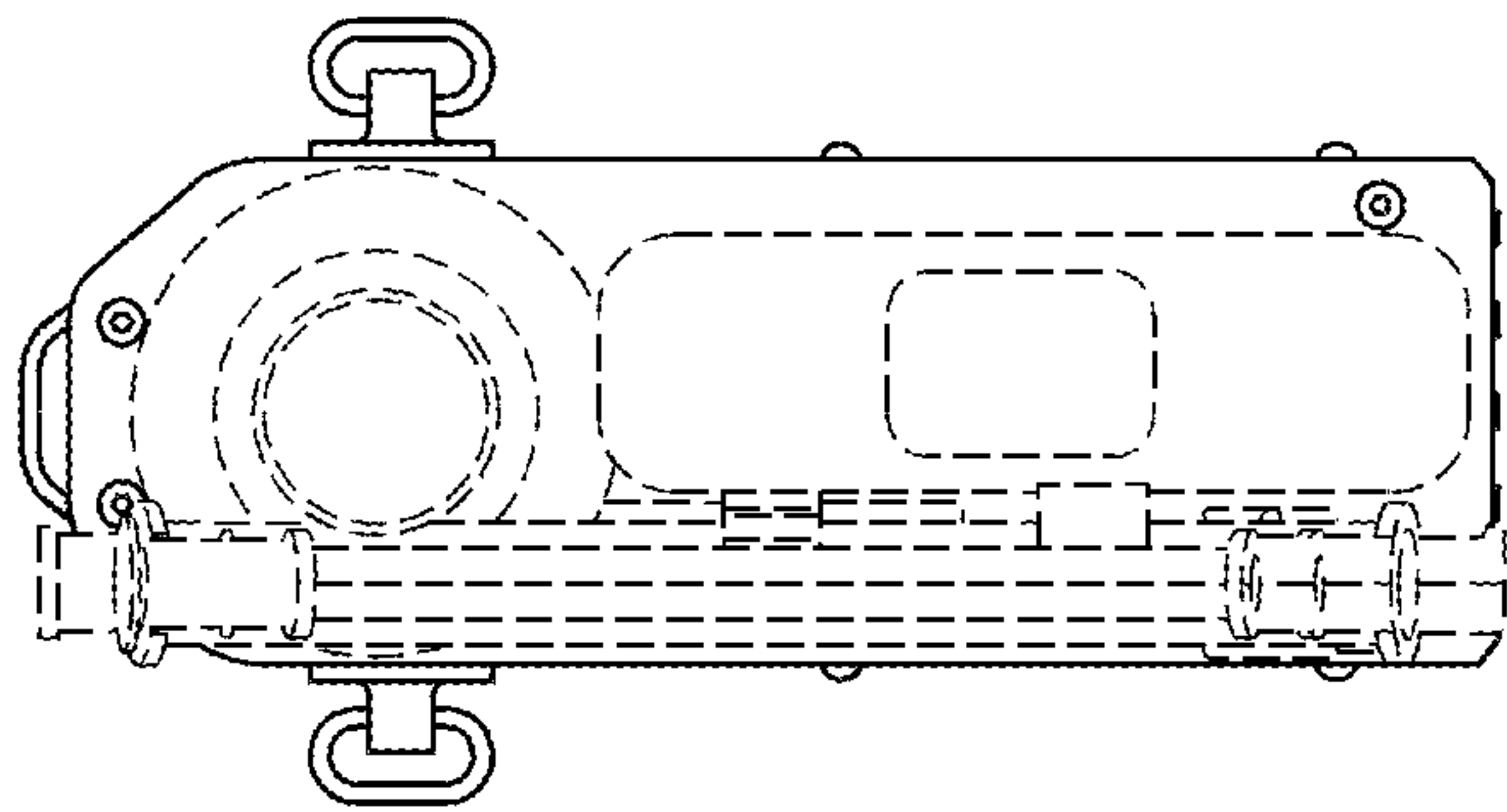


FIG. 3

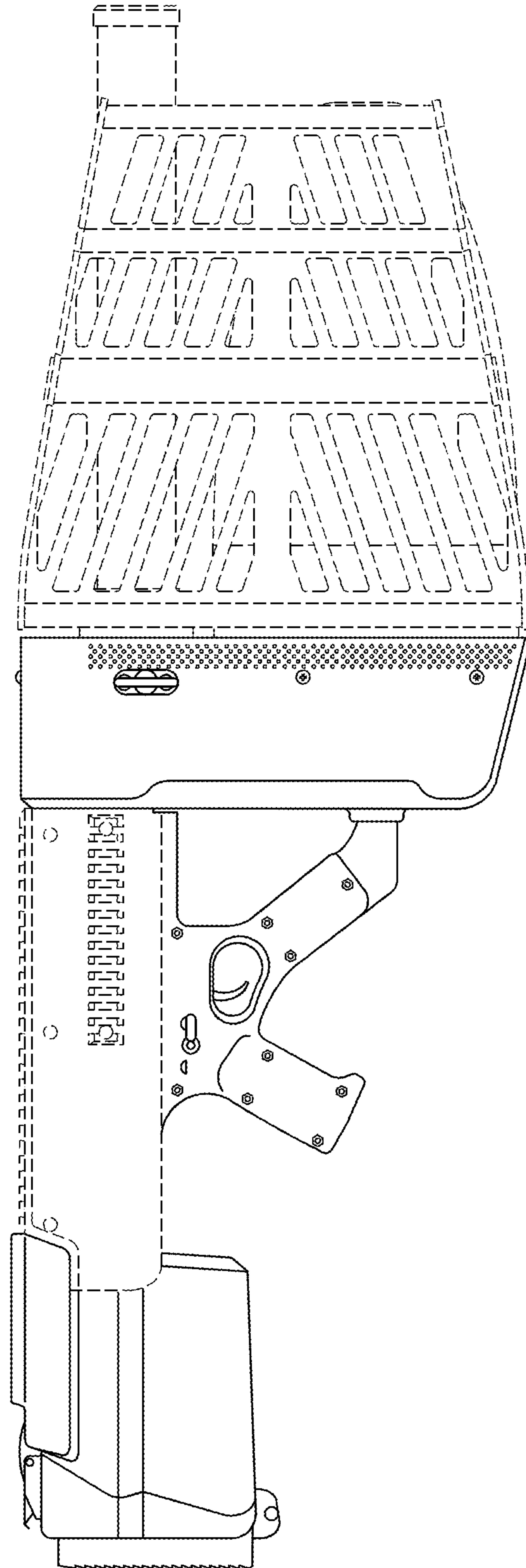


FIG. 5

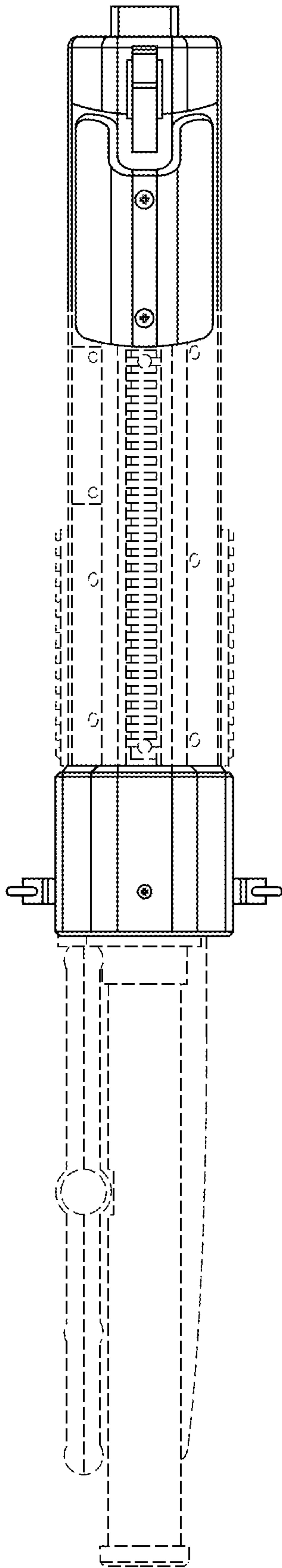


FIG. 6

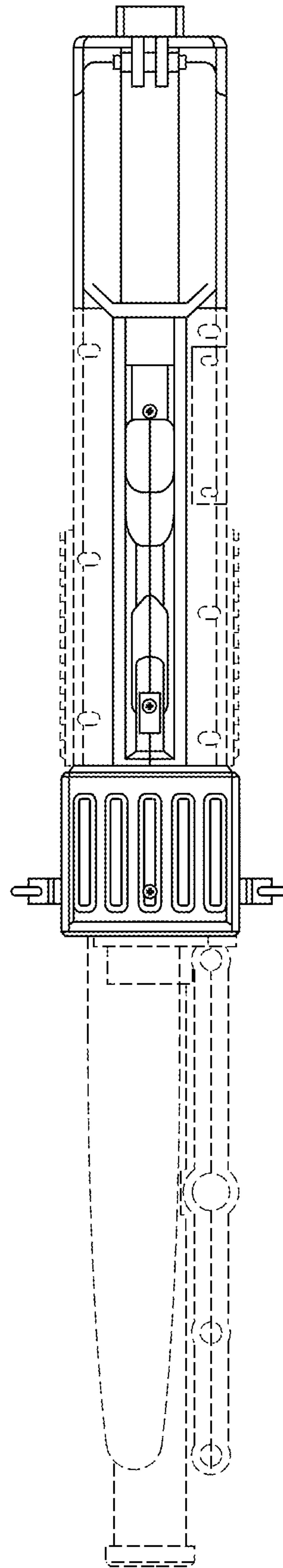


FIG. 7