



US00D872818S

(12) **United States Design Patent**
Zhu

(10) **Patent No.:** **US D872,818 S**
(45) **Date of Patent:** **** Jan. 14, 2020**

- (54) **TENT**
- (71) Applicant: **Wenjie Zhu**, Danyang (CN)
- (72) Inventor: **Wenjie Zhu**, Danyang (CN)
- (**) Term: **15 Years**
- (21) Appl. No.: **29/673,230**
- (22) Filed: **Dec. 13, 2018**
- (51) **LOC (12) Cl.** **21-04**
- (52) **U.S. Cl.**
USPC **D21/837**
- (58) **Field of Classification Search**
USPC D21/834, 837, 839; D25/22, 56, 61
CPC E04H 15/00; E04H 15/02; E04H 15/18;
E04H 15/28; E04H 15/32; E04H 15/34;
E04H 15/40; E04H 15/42; E04H 15/425;
E04H 15/50
See application file for complete search history.

(56) **References Cited**

U.S. PATENT DOCUMENTS

D261,407 S *	10/1981	Moss	D21/837
5,467,794 A *	11/1995	Zheng	A63B 9/00
				135/117
5,676,168 A *	10/1997	Price	E04H 15/40
				135/125
D534,614 S *	1/2007	Galloway	D21/834
D652,886 S *	1/2012	Pedersen	D21/834
D661,362 S *	6/2012	Zimmer	D21/834
D687,116 S *	7/2013	Jin	D21/834
D695,376 S *	12/2013	Jin	D21/834
D696,373 S *	12/2013	Jin	D21/834
D741,437 S *	10/2015	Zimmer	D21/837

D763,391 S *	8/2016	Xu	D21/837
D773,579 S *	12/2016	Shir	D21/837
D775,296 S *	12/2016	Shir	D21/837
D778,383 S *	2/2017	Xu	D21/837
D795,980 S *	8/2017	Xiao	D21/834
D822,141 S *	7/2018	Xiao	D21/837
D823,968 S *	7/2018	Xiao	D21/837
D824,474 S *	7/2018	Xiao	D21/837
D824,475 S *	7/2018	Xu	D21/837
D831,773 S *	10/2018	Huang	D21/834
D841,107 S *	2/2019	Zhu	D21/834

* cited by examiner

Primary Examiner — Cynthia M. Chin

(74) *Attorney, Agent, or Firm* — Law Offices of Steven W. Weinrieb

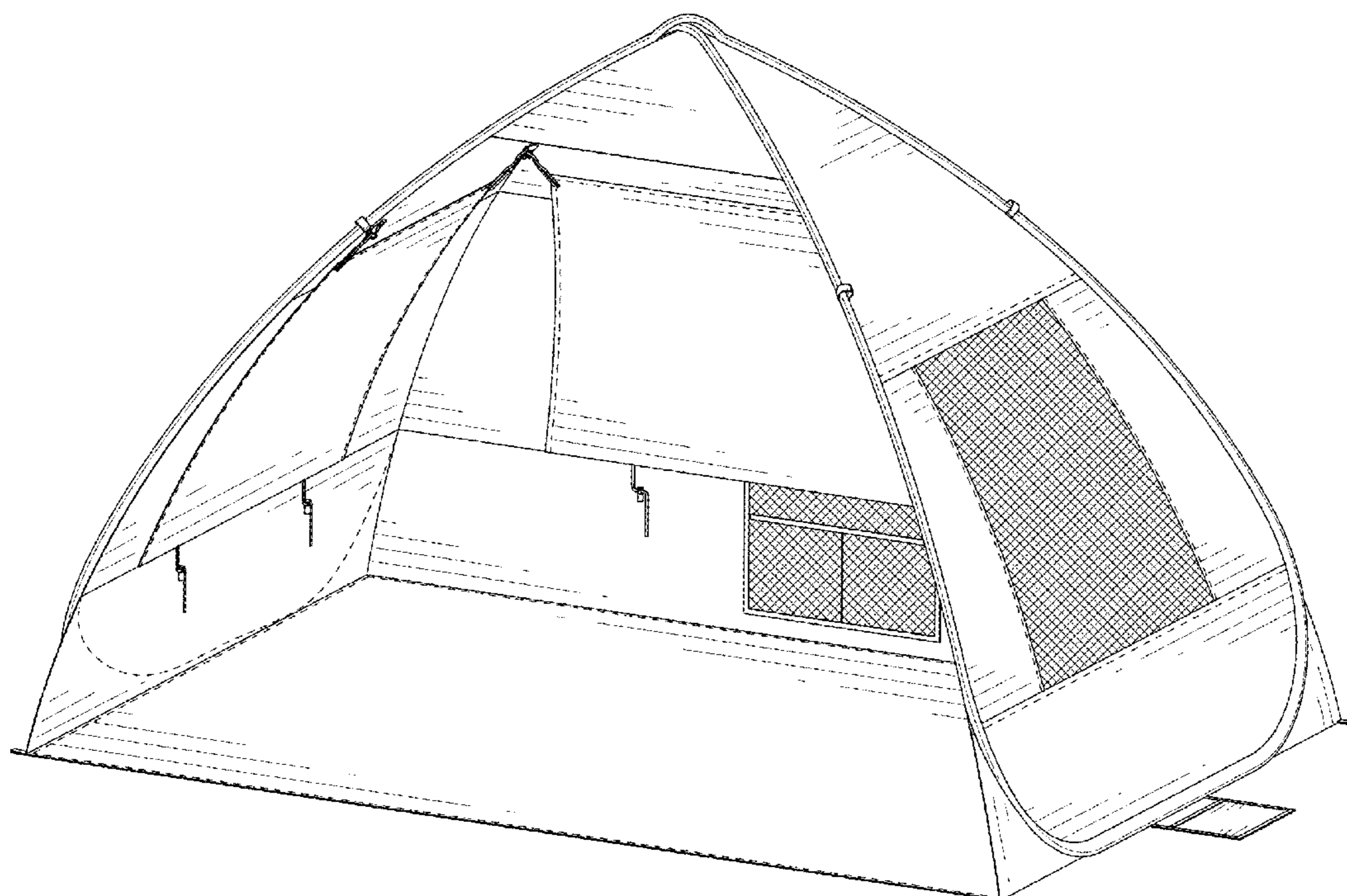
(57) **CLAIM**

The ornamental design for a tent, as shown and described.

DESCRIPTION

FIG. 1 is a front, right side, top perspective view of the tent showing my new design;
 FIG. 2 is a rear, left side, top perspective view thereof;
 FIG. 3 is a rear, right side, bottom perspective view;
 FIG. 4 is a front elevational view thereof;
 FIG. 5 is a rear elevational view thereof;
 FIG. 6 is a left side elevational view thereof;
 FIG. 7 is a right side elevational view thereof;
 FIG. 8 is a top plan view thereof;
 FIG. 9 is a bottom plan view thereof; and,
 FIG. 10 is a front, right side, top perspective view thereof showing the tent in a state of use.
 The broken lines are for the purpose of illustrating portions of the article that form no part of the claim.

1 Claim, 10 Drawing Sheets



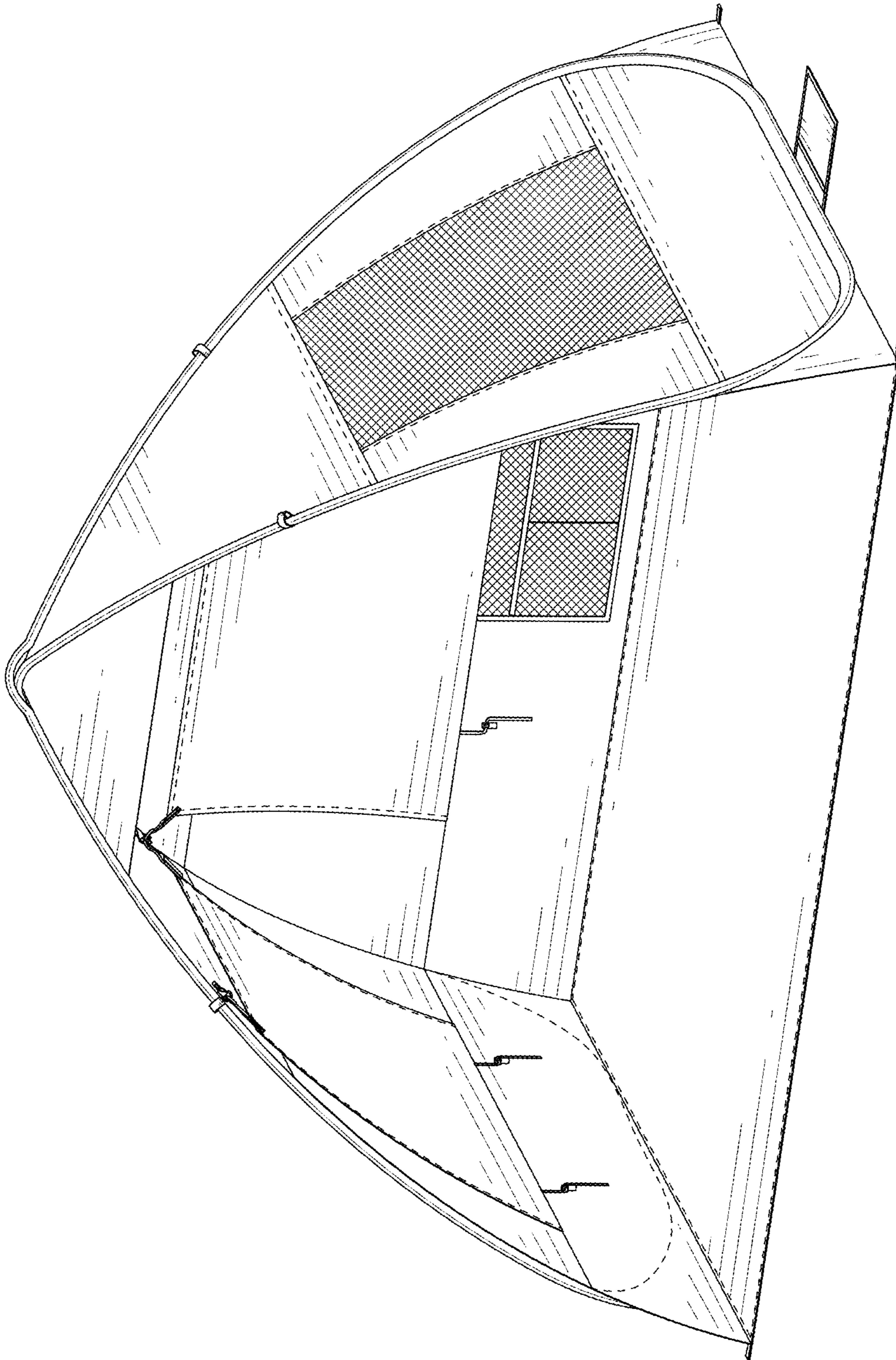


FIG. 1

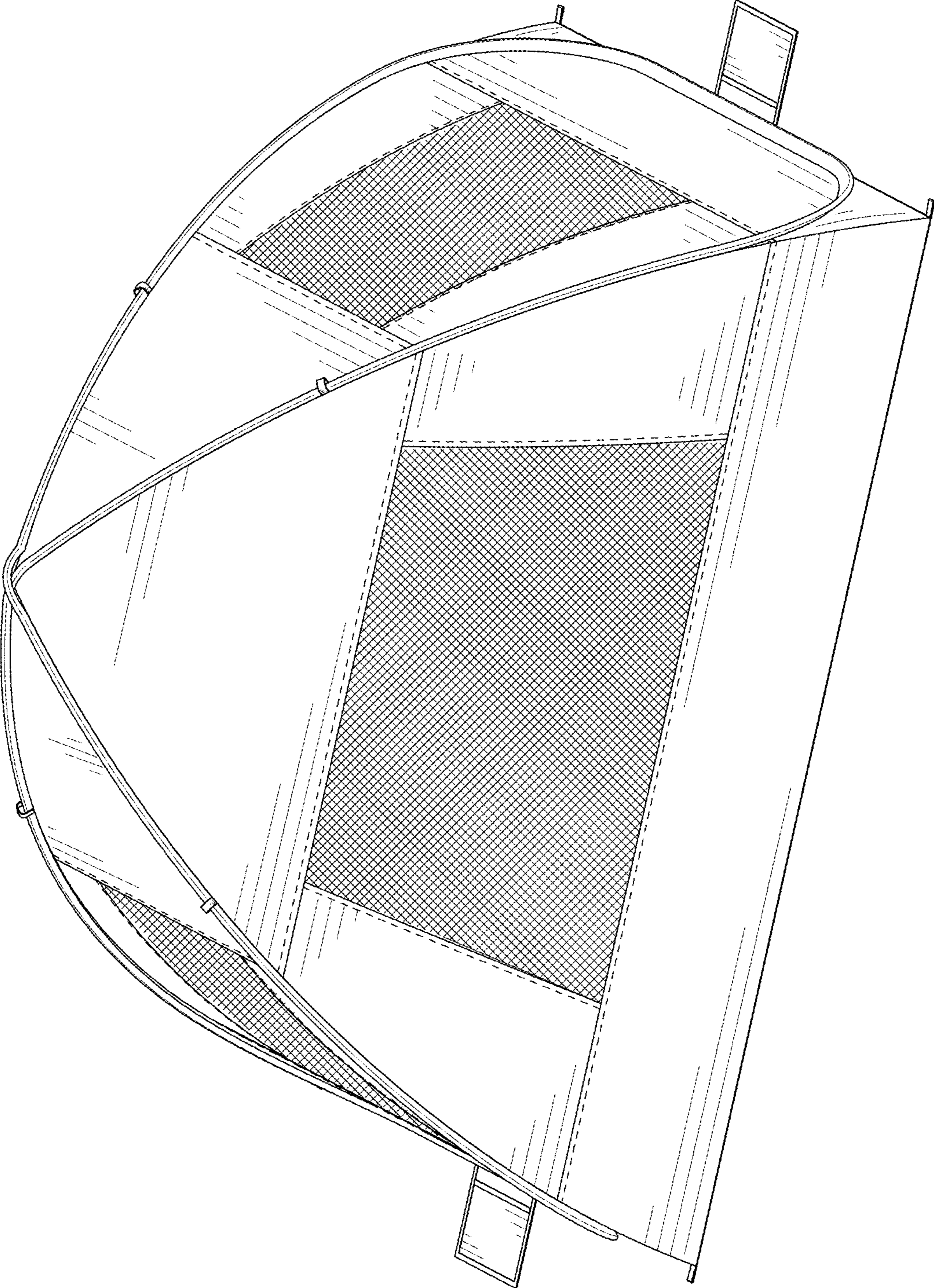


FIG. 2

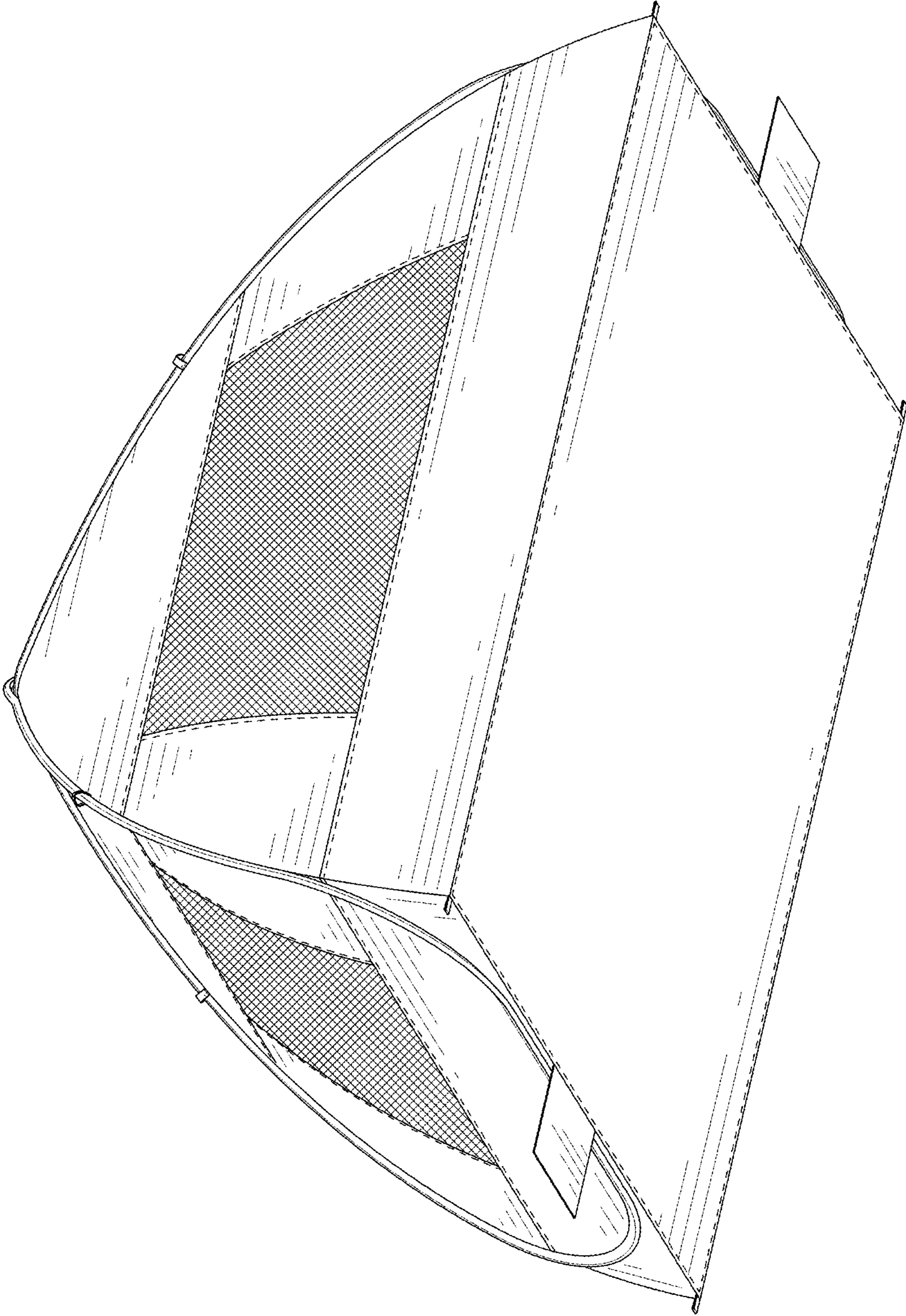


FIG. 3

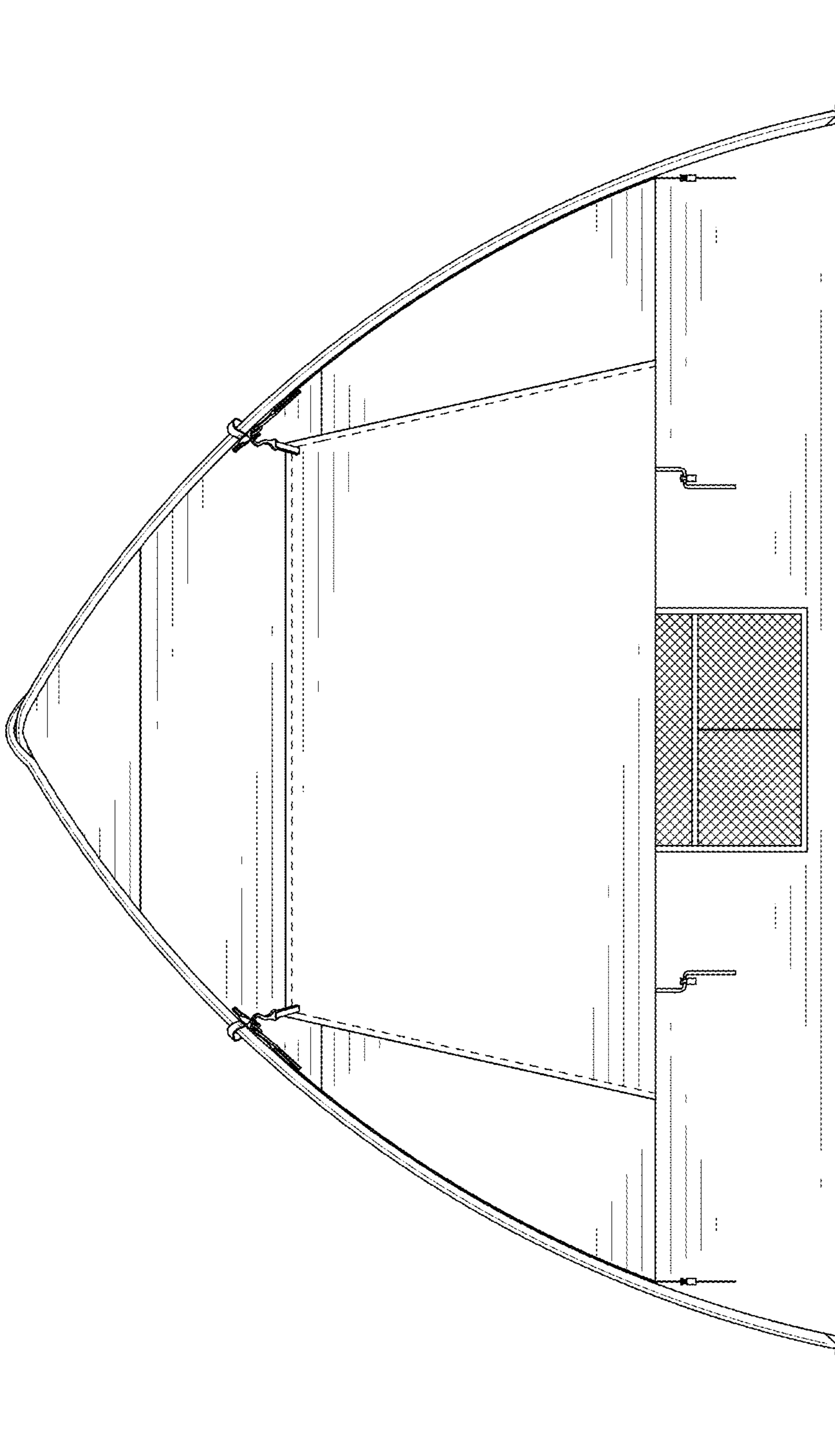


FIG. 4

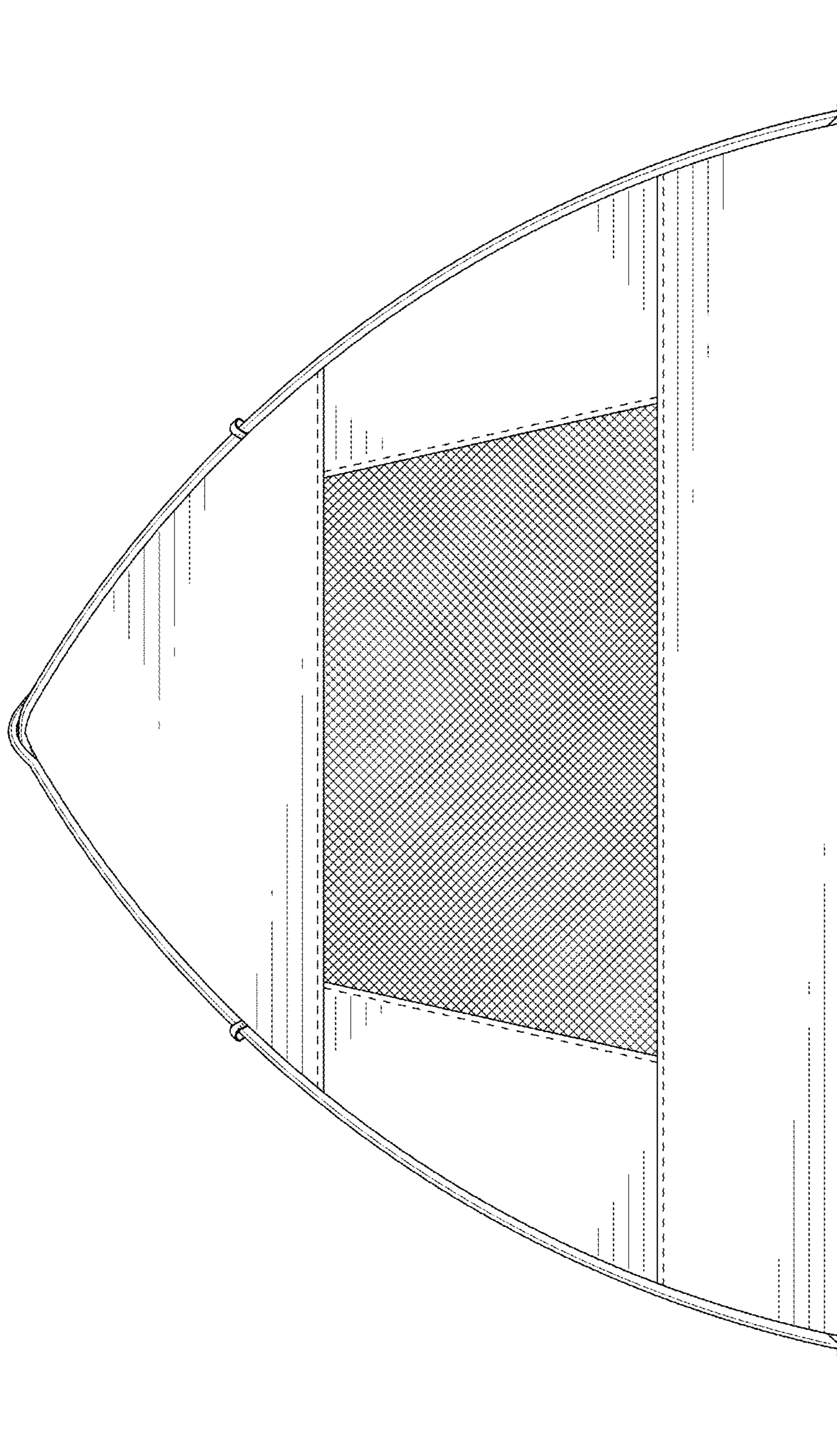


FIG. 5

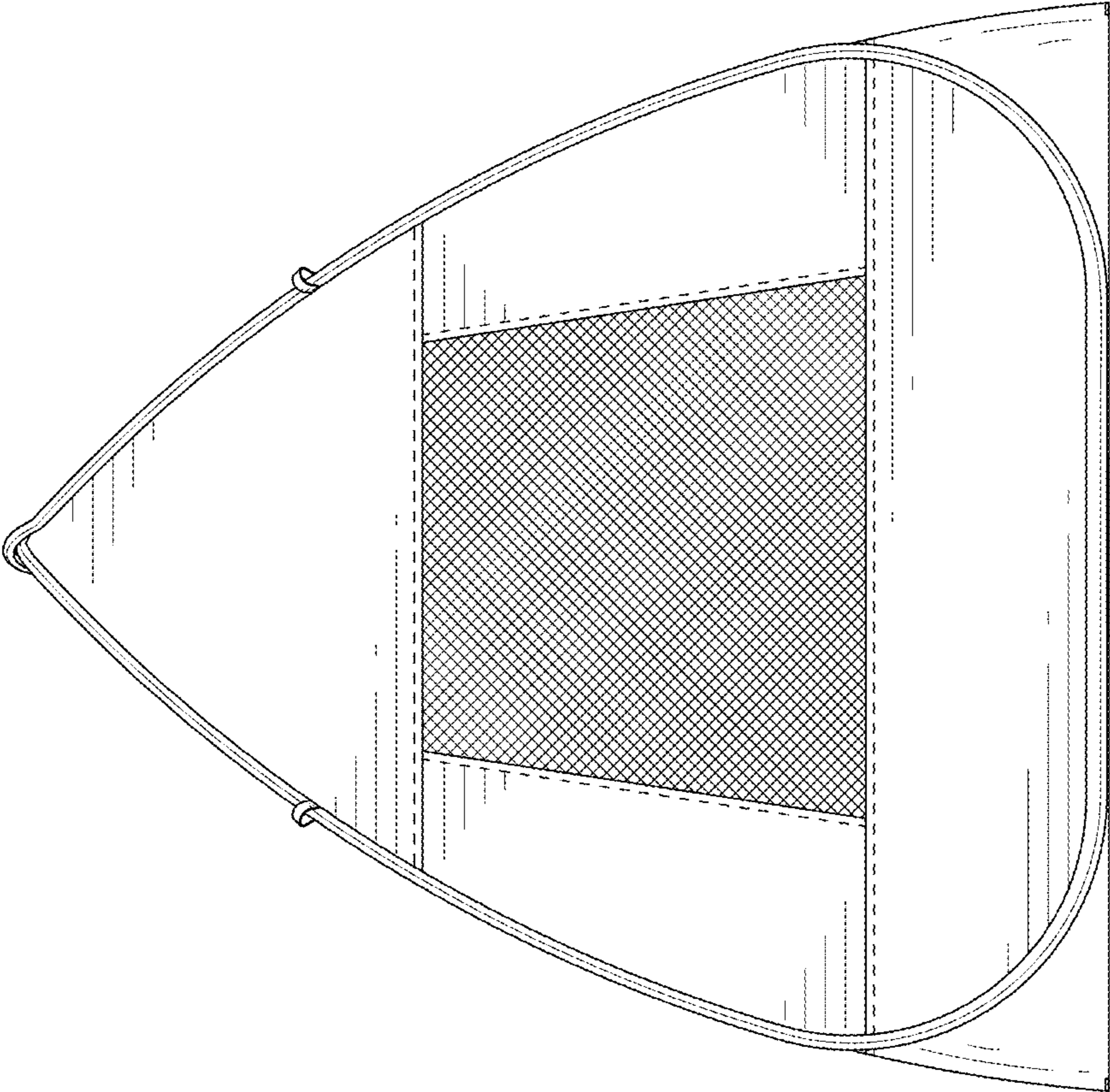


FIG. 6

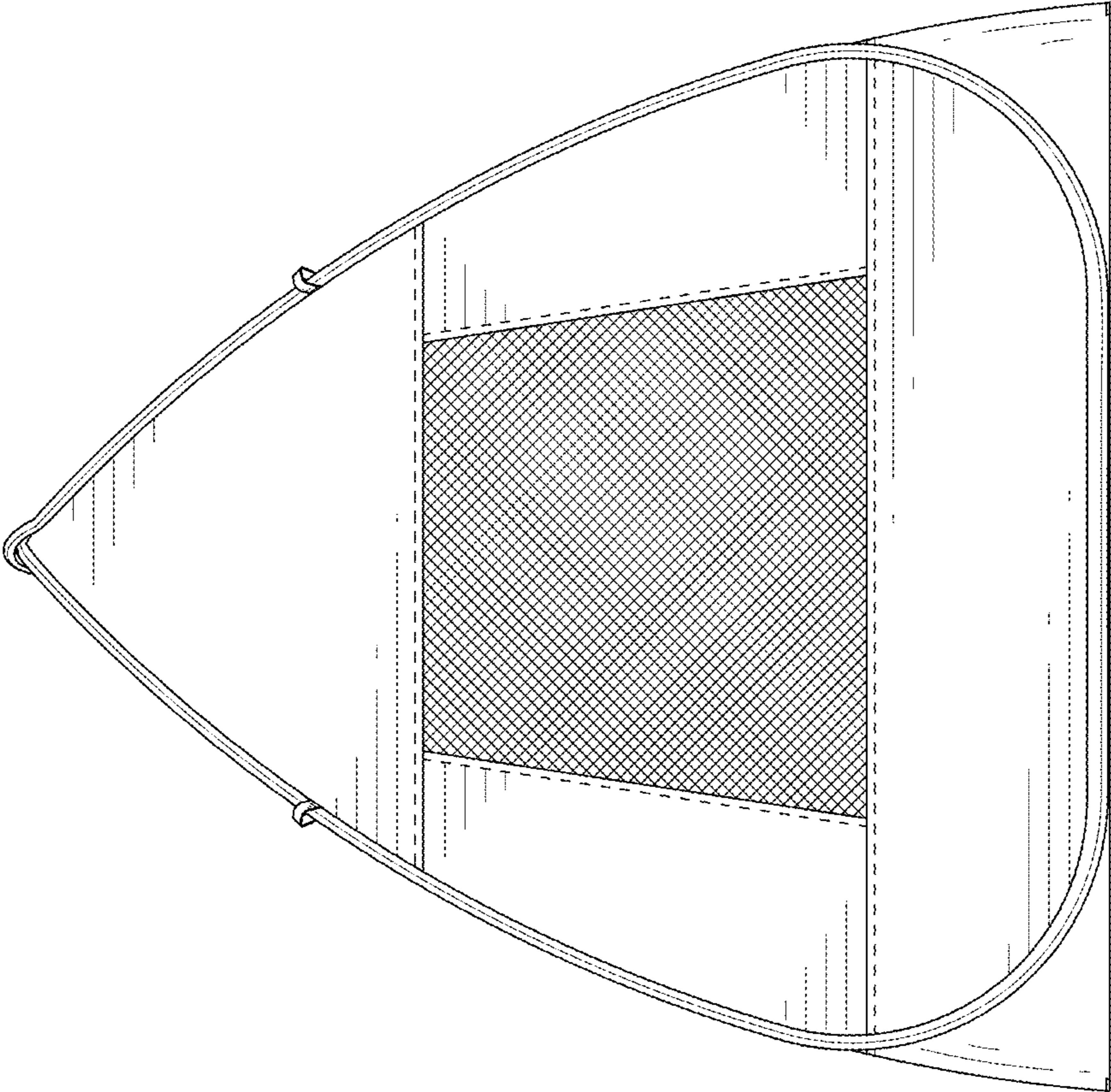


FIG. 7

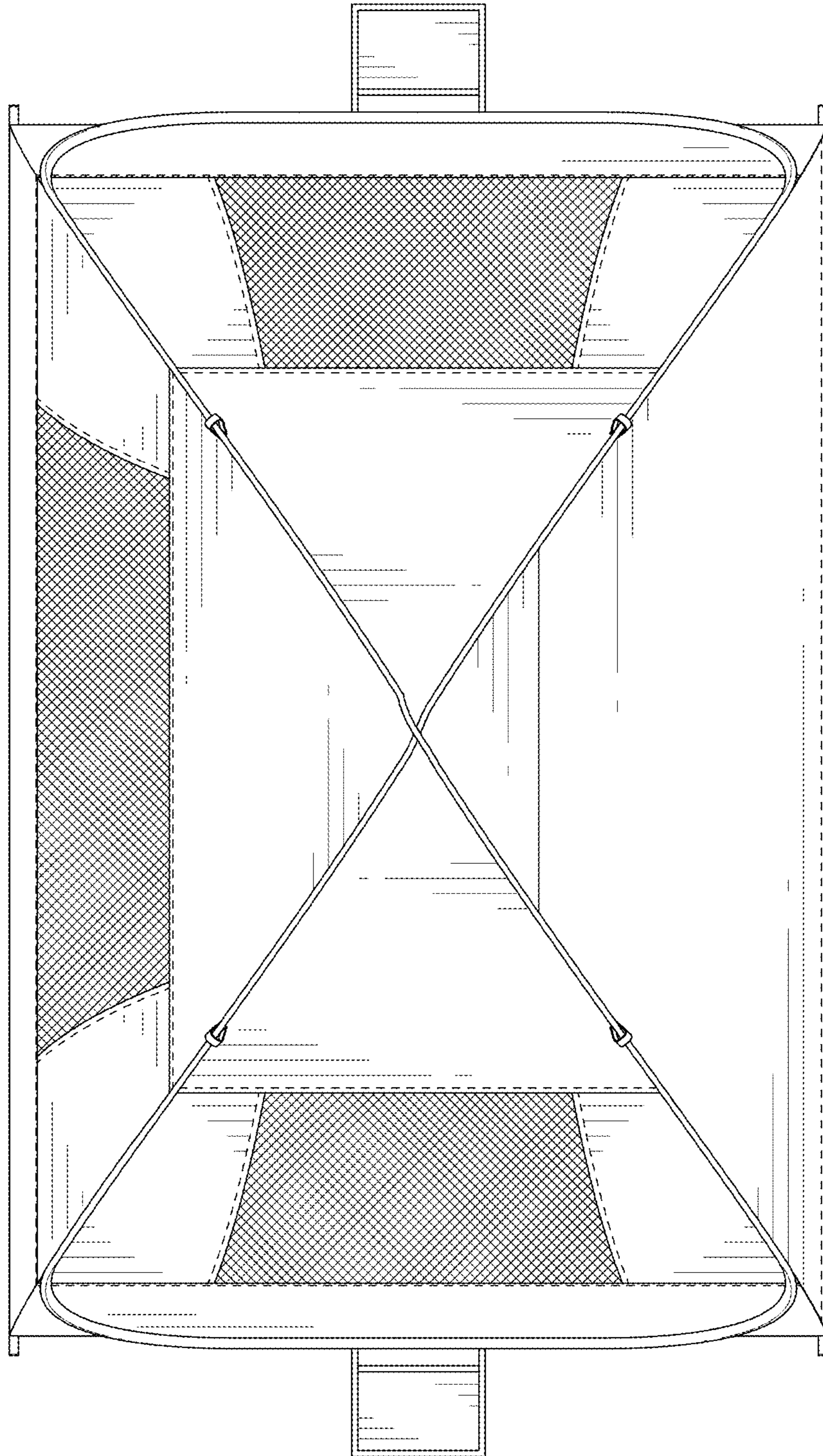


FIG. 8

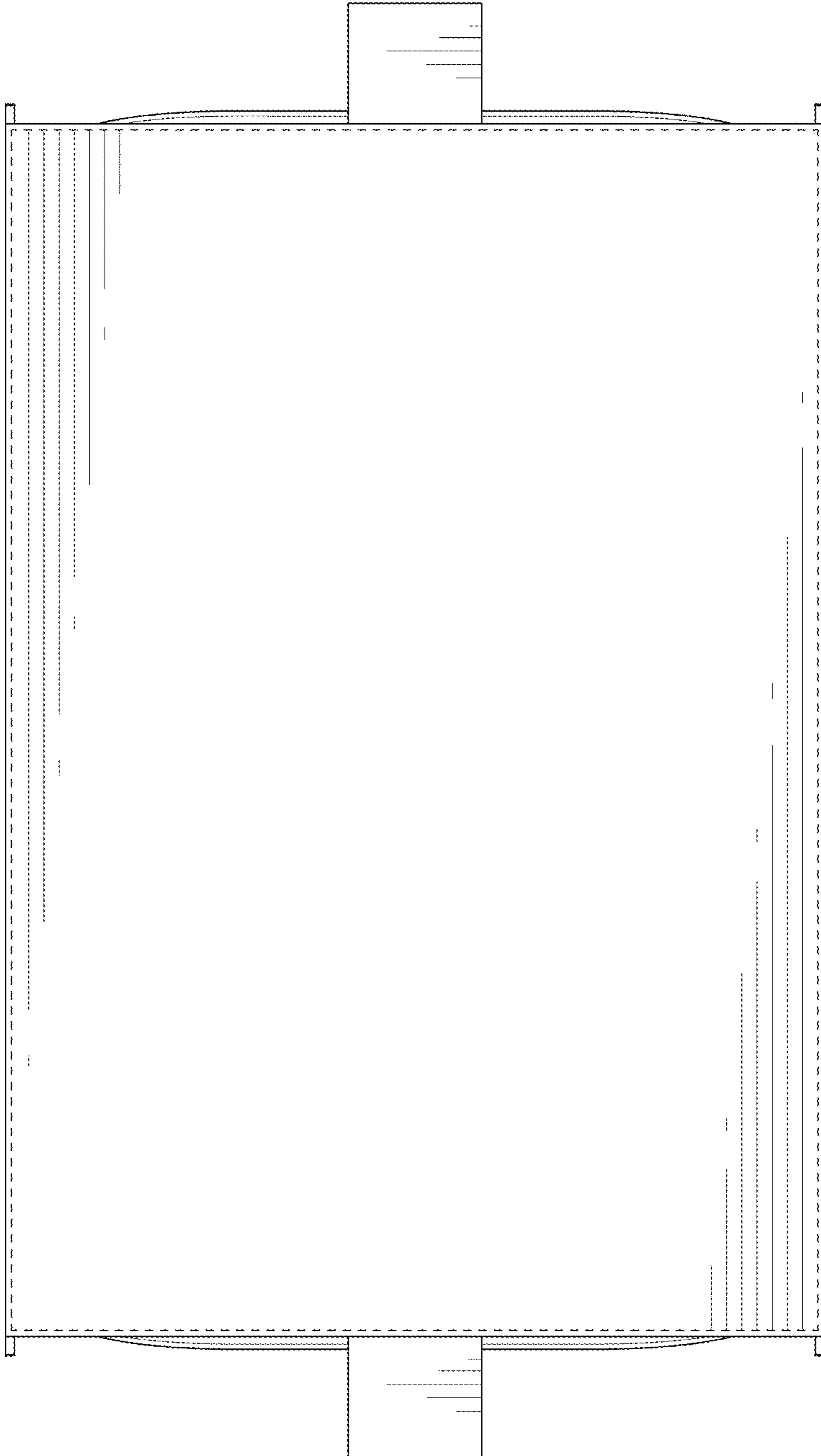


FIG. 9

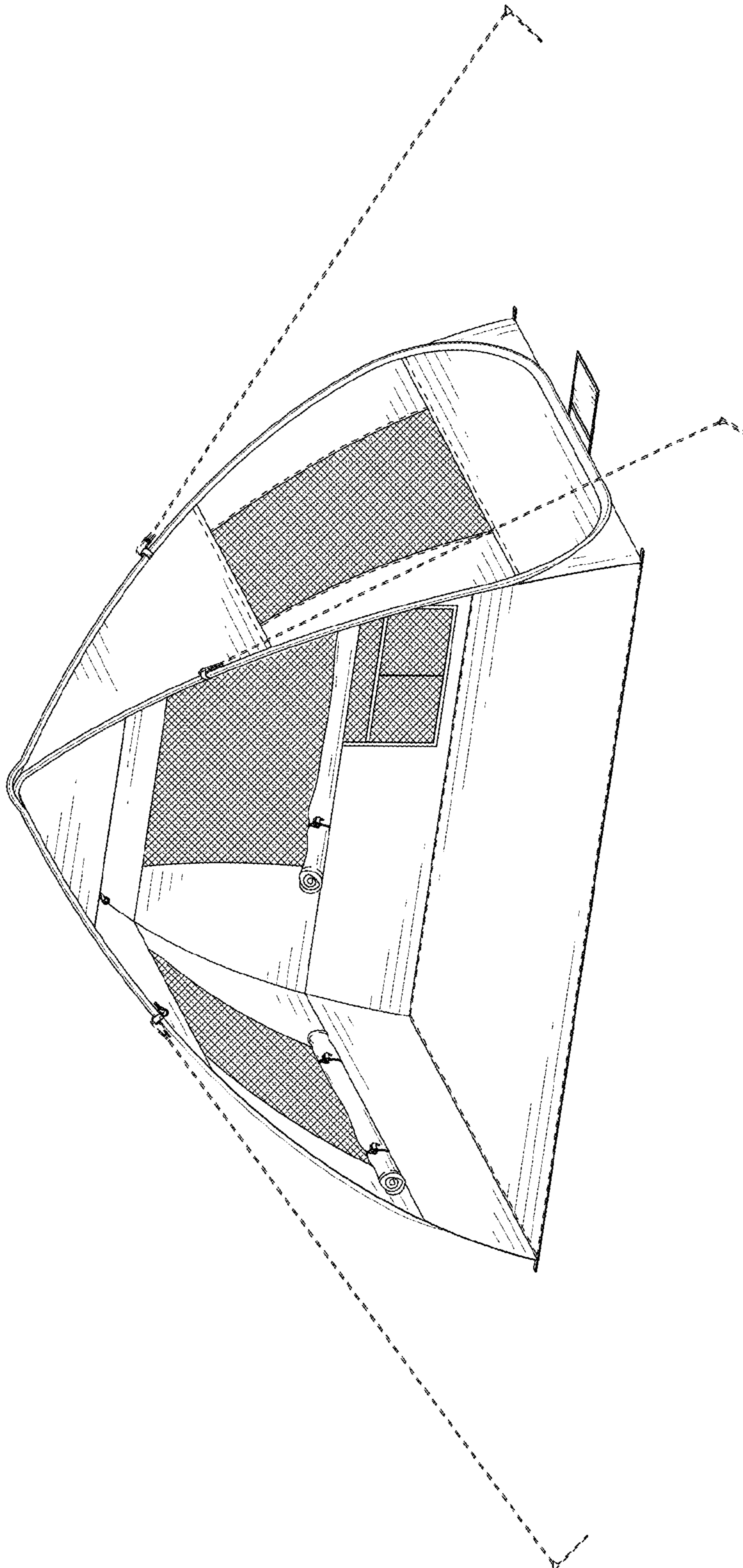


FIG. 10