



US00D872817S

(12) **United States Design Patent**
Peterson et al.

(10) **Patent No.:** **US D872,817 S**
(45) **Date of Patent:** **** Jan. 14, 2020**

(54) **DOMED GOLF BALL MARKER**
(71) Applicant: **On Point Ball Marker LLC**, Basalt, CO (US)
(72) Inventors: **Briston Peterson**, Basalt, CO (US);
James Joseph Verna, Basalt, CO (US)
(73) Assignee: **On Point Ball Marker LLC**, Basalt, CO (US)
(**) Term: **15 Years**

6,125,747 A * 10/2000 Elliott A63B 45/02
101/35
6,422,955 B1 * 7/2002 Lopez A42B 1/24
473/406
D540,902 S * 4/2007 Regalado D21/794
D554,725 S * 11/2007 Park D21/793
D588,670 S * 3/2009 Walz D21/794
7,654,920 B2 * 2/2010 Perry A63B 45/02
473/408
D616,953 S * 6/2010 Shinki D21/794
D622,799 S * 8/2010 Cameron A63B 59/50
D21/794
D632,351 S * 2/2011 Scott D21/794
(Continued)

(21) Appl. No.: **29/655,568**
(22) Filed: **Jul. 5, 2018**
(51) **LOC (12) Cl.** **21-02**
(52) **U.S. Cl.**
USPC **D21/794**
(58) **Field of Classification Search**
USPC D21/793-794, 789
CPC A63B 57/353; A63B 57/207; A63B 57/00;
A63B 57/30; A63B 57/35; A63B 57/50
See application file for complete search history.

Primary Examiner — Mitchell I. Siegel
(74) *Attorney, Agent, or Firm* — Lathrop Gage LLP

(57) **CLAIM**

The ornamental design for a domed golf ball marker, as shown and described.

DESCRIPTION

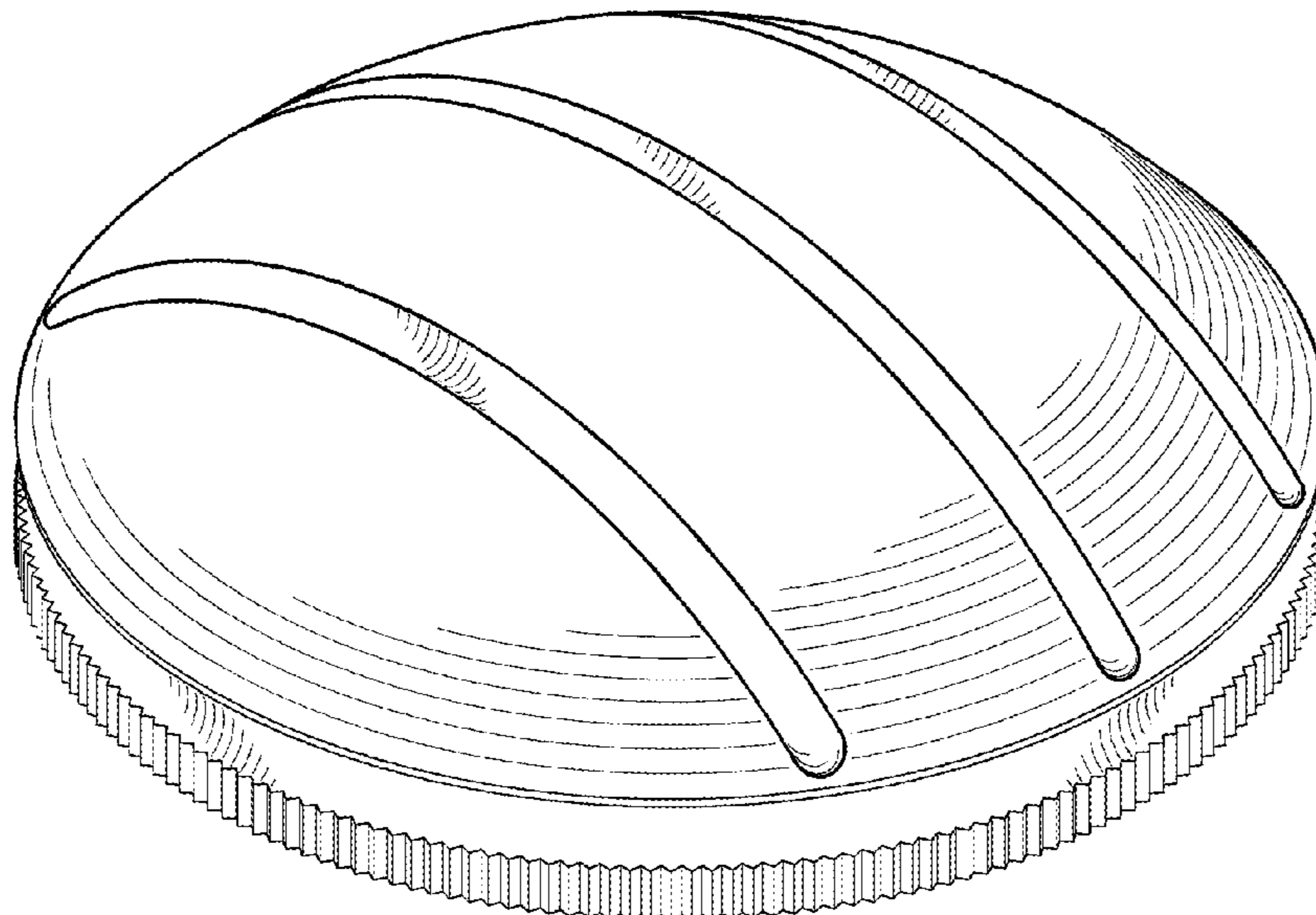
FIG. 1 is a perspective view of a domed golf ball marker in accordance with the new design;
FIG. 2 is a top plan view of a domed golf ball marker of FIG. 1;
FIG. 3 is a front elevational view of a domed golf ball marker of FIG. 1;
FIG. 4 is a side elevational view of a domed golf ball marker of FIG. 1;
FIG. 5 is a perspective view of a second embodiment of the domed golf ball marker in accordance with the new design;
FIG. 6 is a top plan view of a domed golf ball marker of FIG. 5;
FIG. 7 is a front elevational view of a domed golf ball marker of FIG. 5; and,
FIG. 8 is a side elevational view of a domed golf ball marker of FIG. 5.

(56) **References Cited**

U.S. PATENT DOCUMENTS

1,558,078 A * 10/1925 Darby A63B 57/00
473/405
1,789,525 A * 1/1931 Hoff E01F 9/553
404/15
5,437,446 A * 8/1995 Youngkin A63B 69/3676
473/409
5,476,258 A * 12/1995 Frisone A63B 57/353
473/404
5,743,180 A * 4/1998 Arnke A63B 45/02
101/35
6,077,174 A * 6/2000 Noritake A63B 57/353
473/406
6,095,933 A * 8/2000 Smith G01C 9/36
473/404

1 Claim, 4 Drawing Sheets



(56)

References Cited

U.S. PATENT DOCUMENTS

8,016,698	B2 *	9/2011	Cameron	A63B 57/50
					473/406
8,057,326	B2 *	11/2011	Woodbury	A63B 57/353
					473/406
D661,761	S *	6/2012	Cameron	D21/794
D704,291	S *	5/2014	Snyder	D21/794
D721,152	S *	1/2015	Kokoska	D21/794
D741,972	S *	10/2015	McDevitt	D21/794
D816,178	S *	4/2018	Goserud	D21/794
D837,325	S *	1/2019	Dardenne	D21/793

* cited by examiner

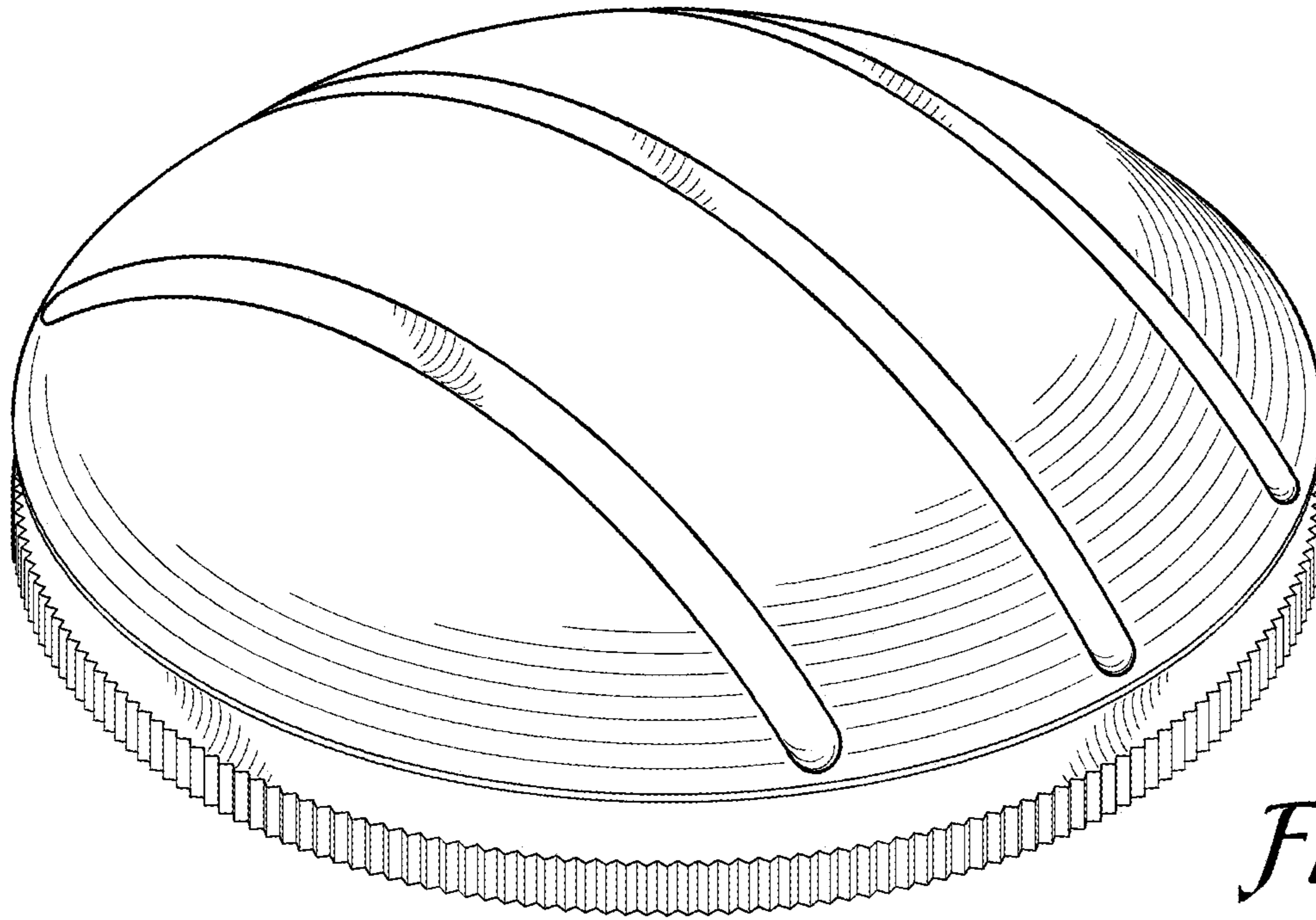


Fig. 1

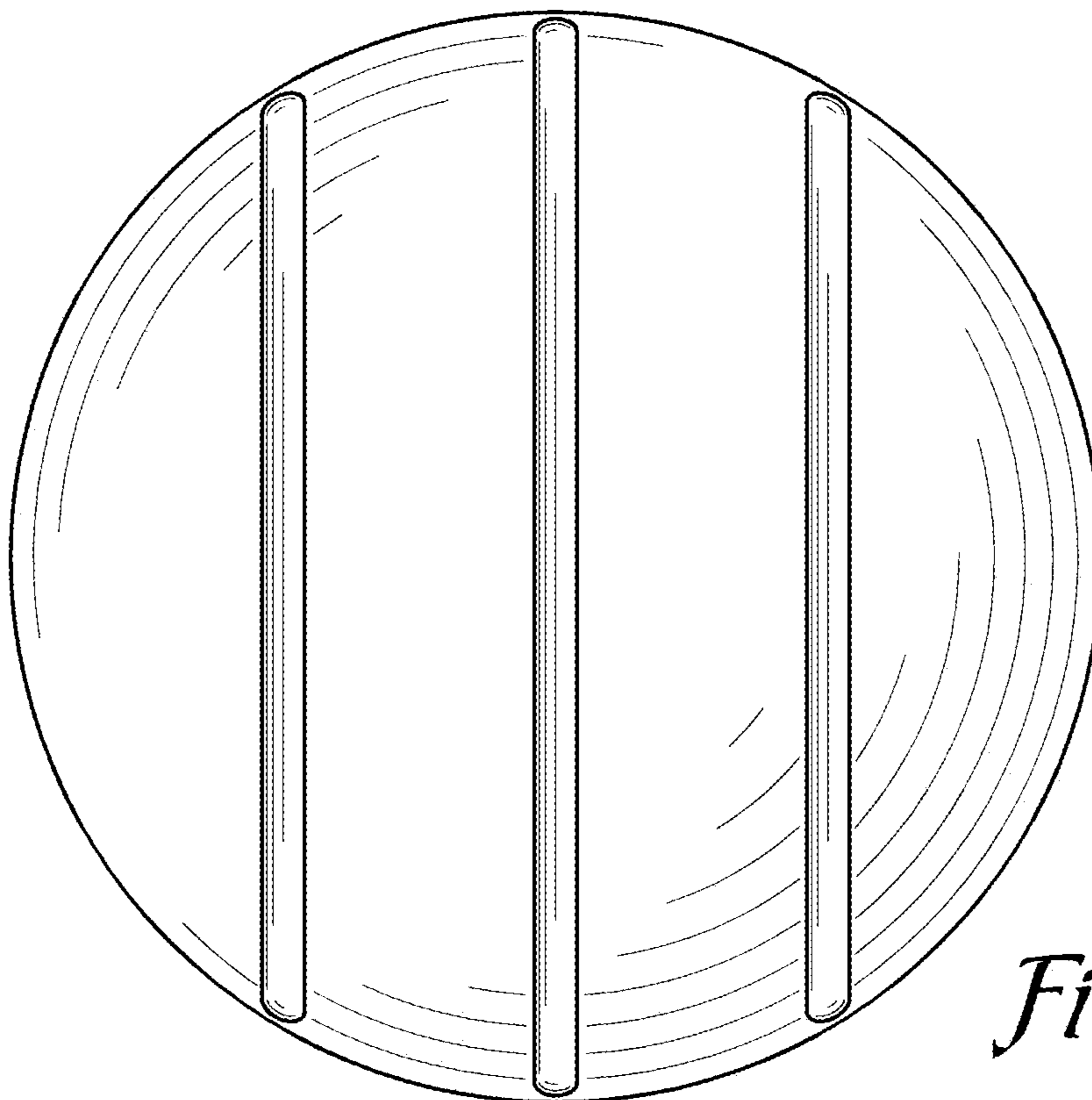


Fig. 2

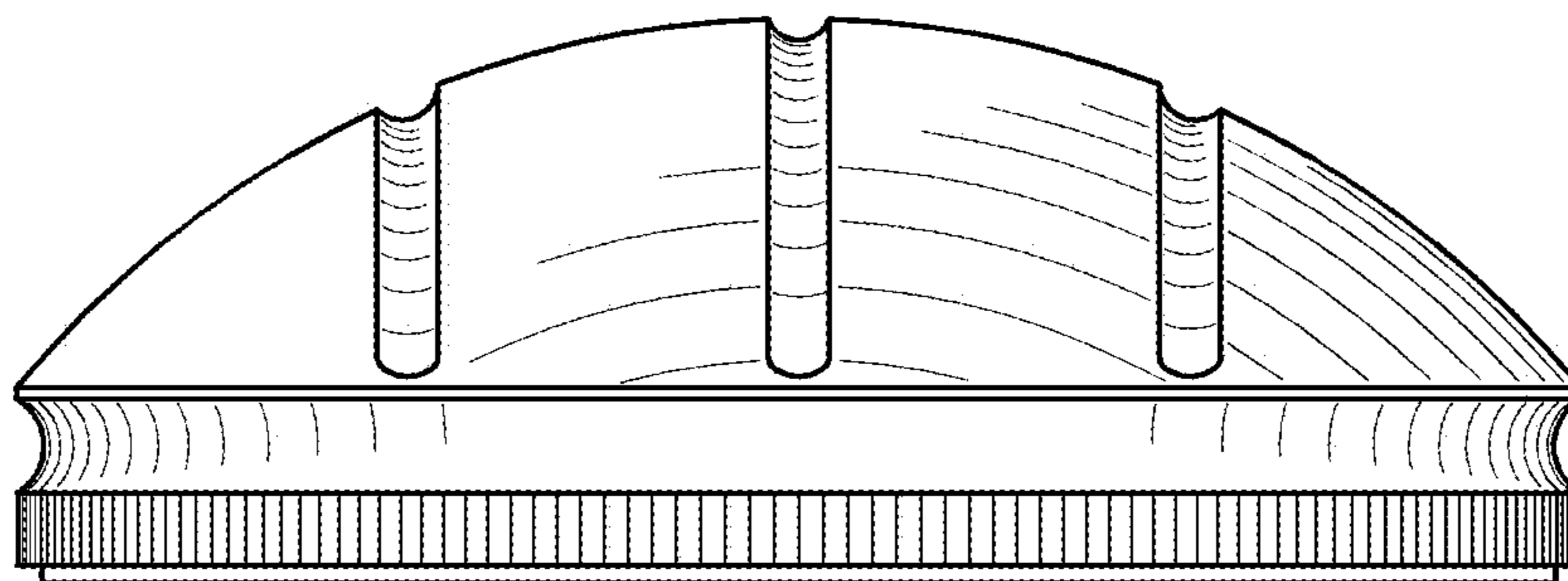


Fig. 3

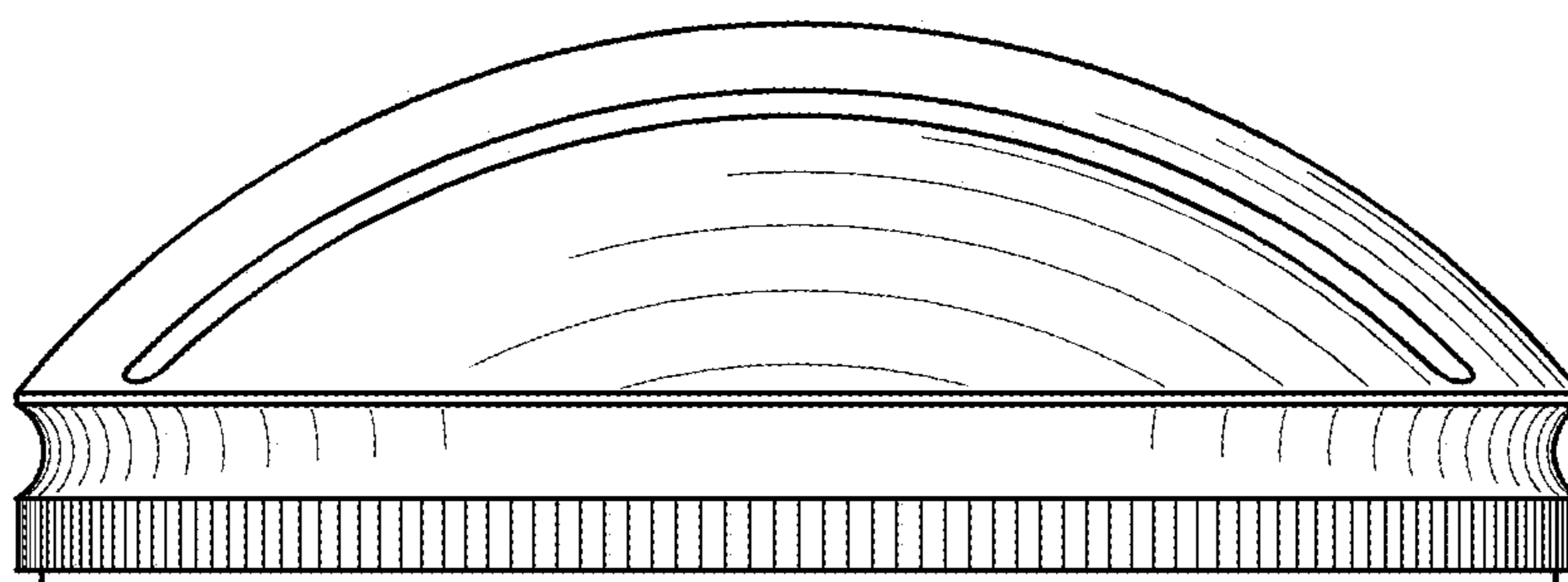


Fig. 4

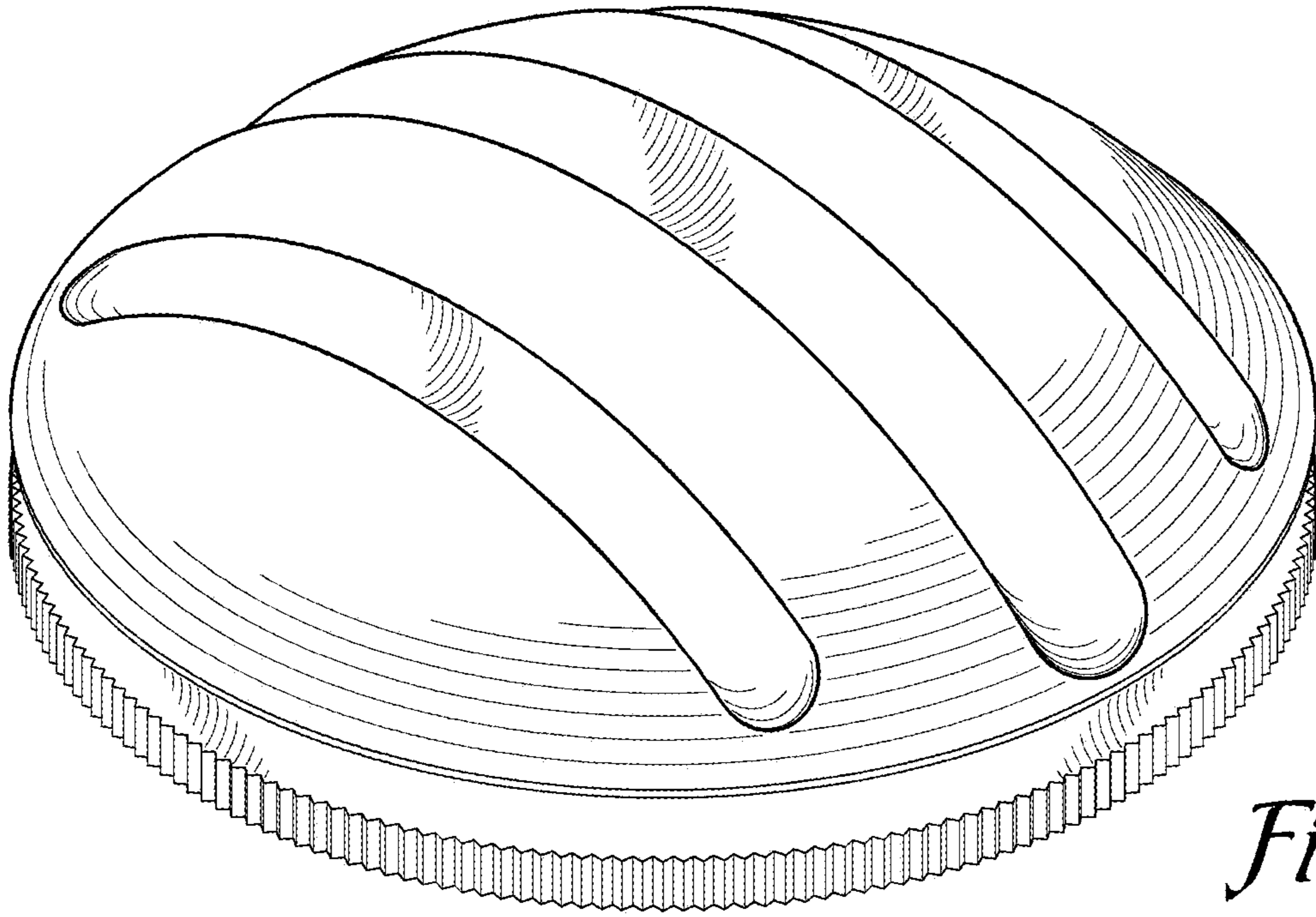


Fig. 5

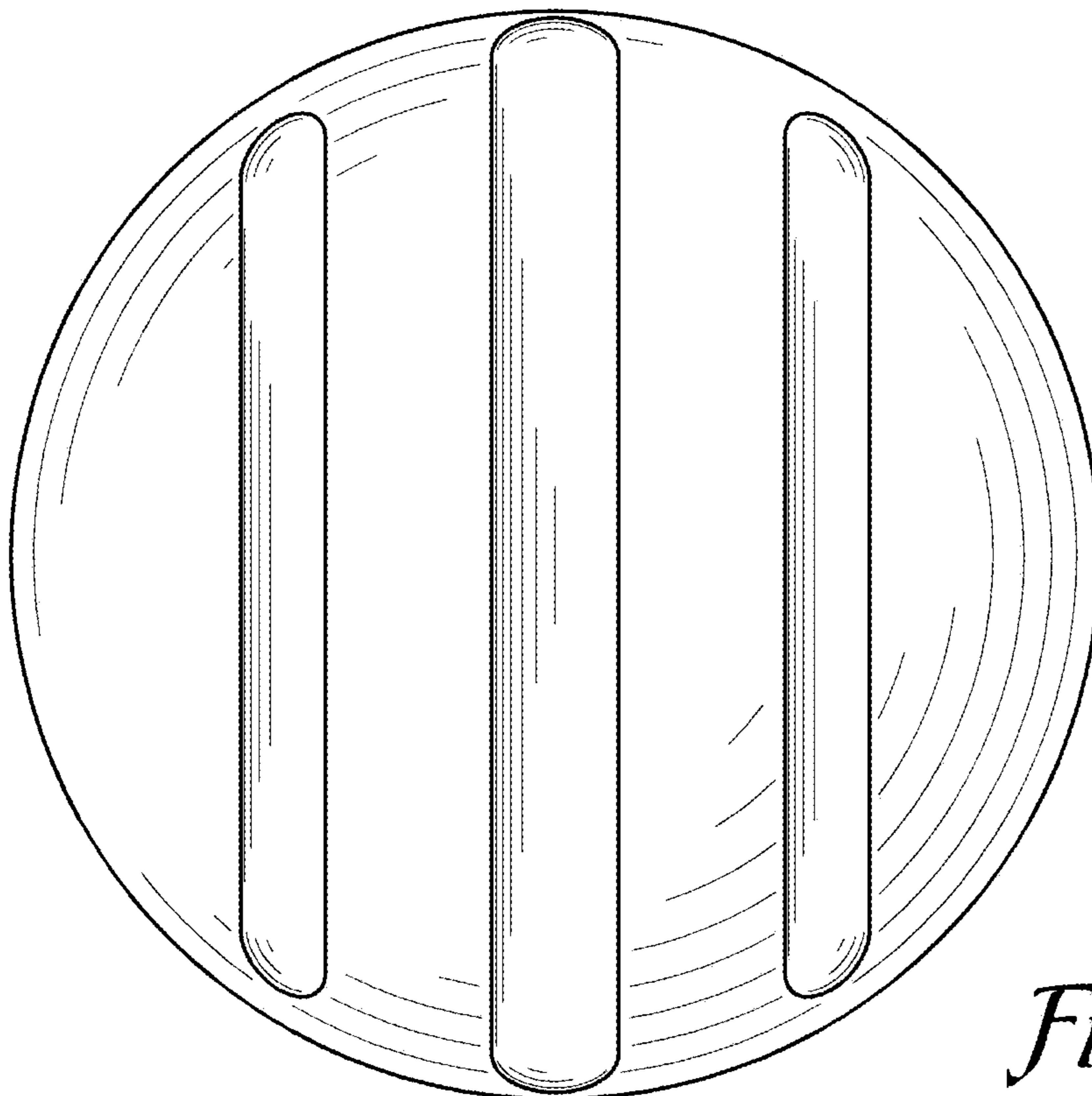


Fig. 6

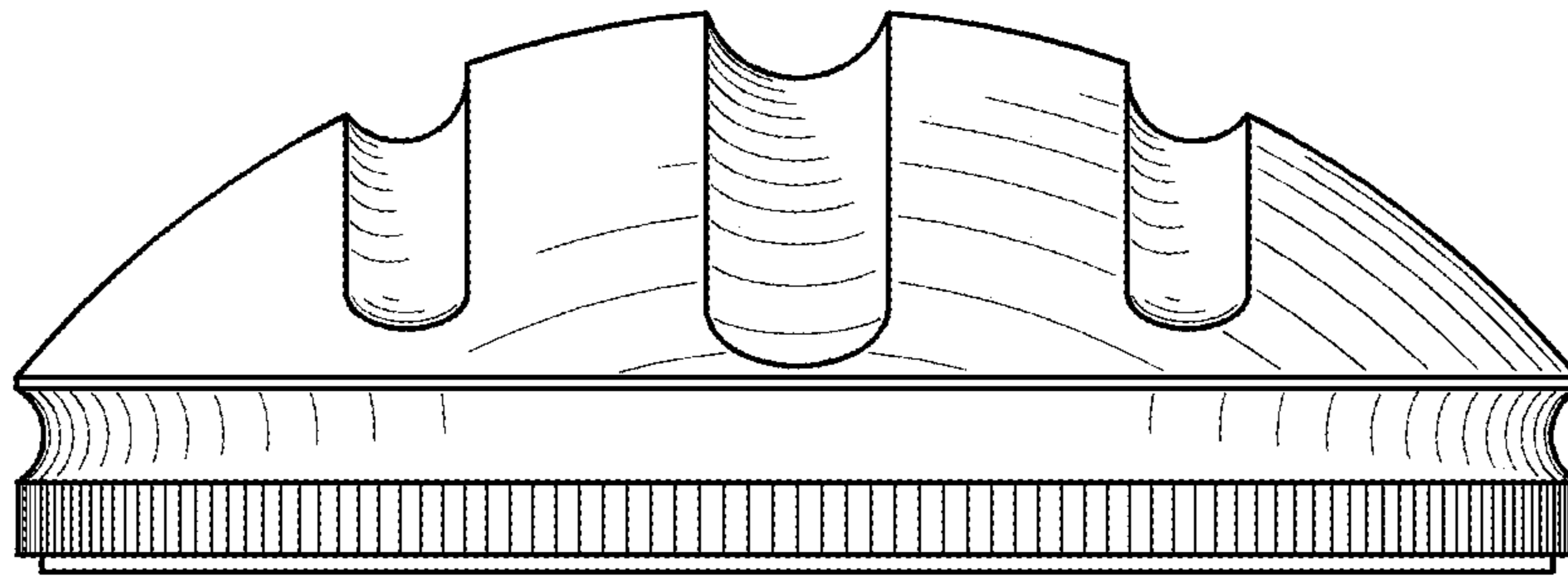


Fig. 7

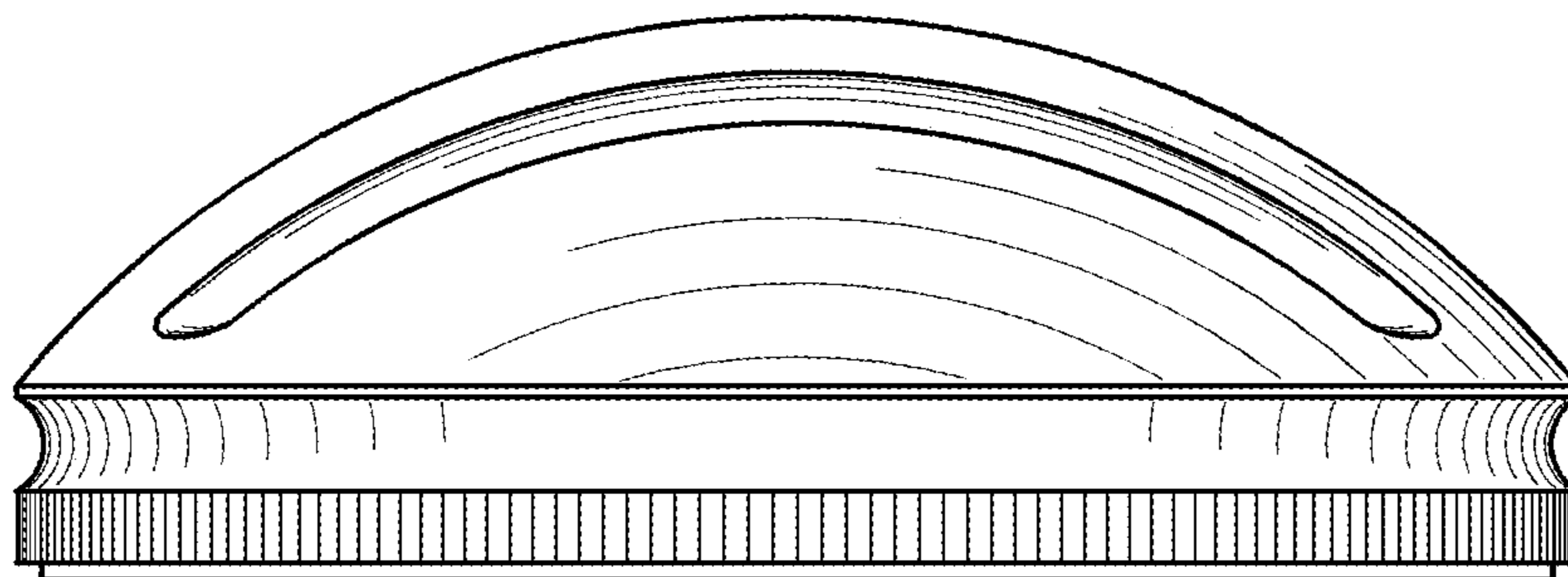


Fig. 8